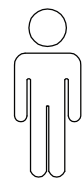
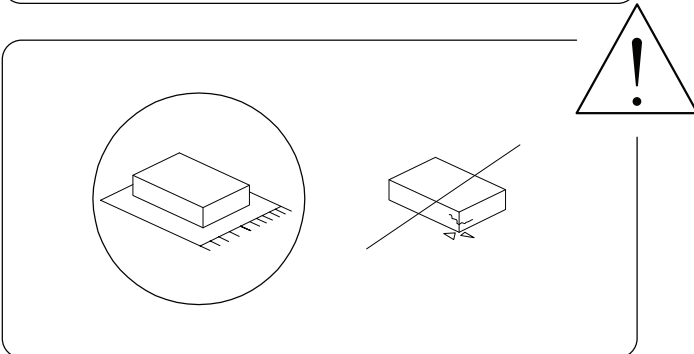
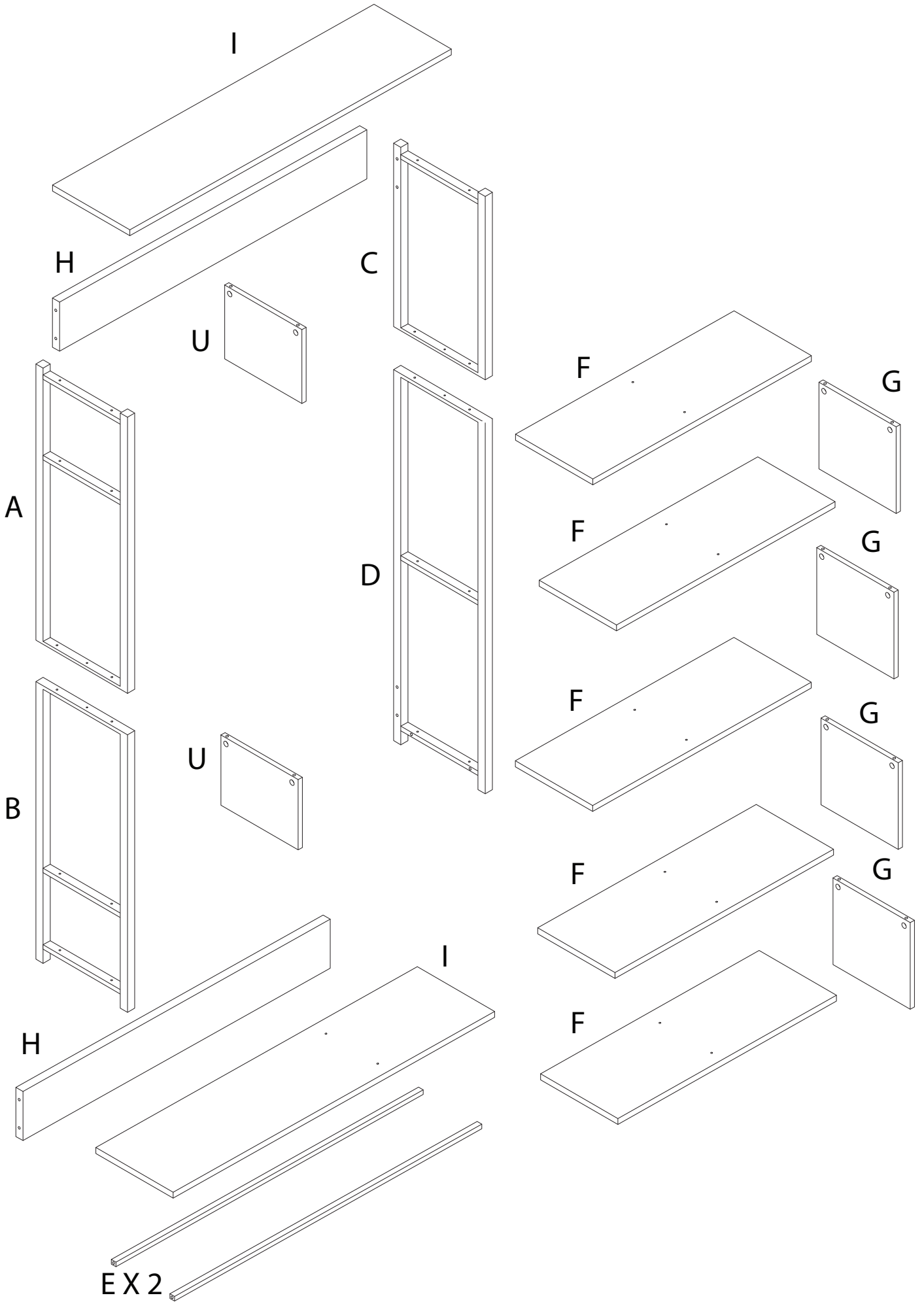
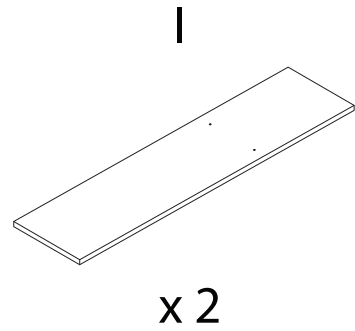
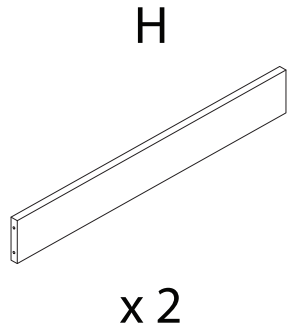
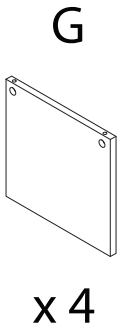
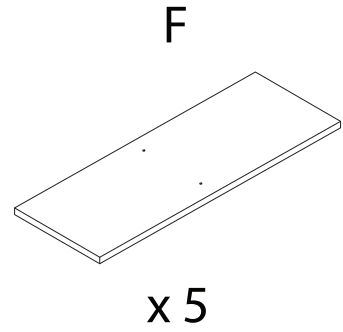
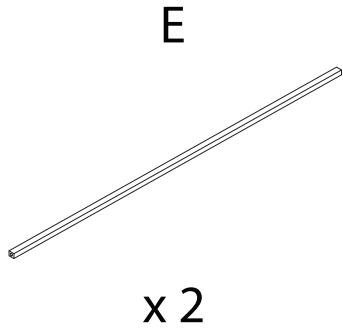
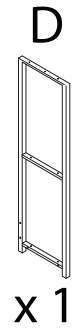
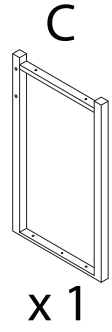
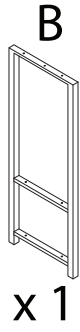
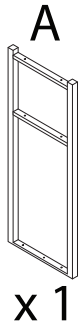


45'

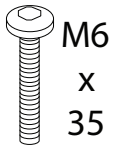


2



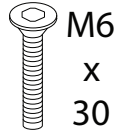


J



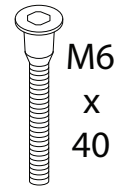
x 4

K



x 18

L



x 12

M



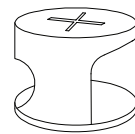
x 20

N



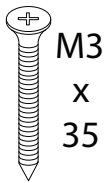
x 12

O



x 20

P



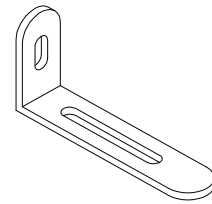
x 5

Q



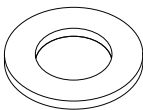
x 1

R



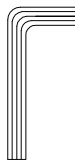
x 1

S



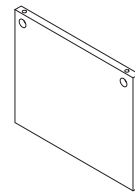
x 7

T



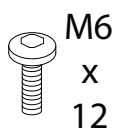
x 1

U



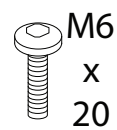
x 2

V



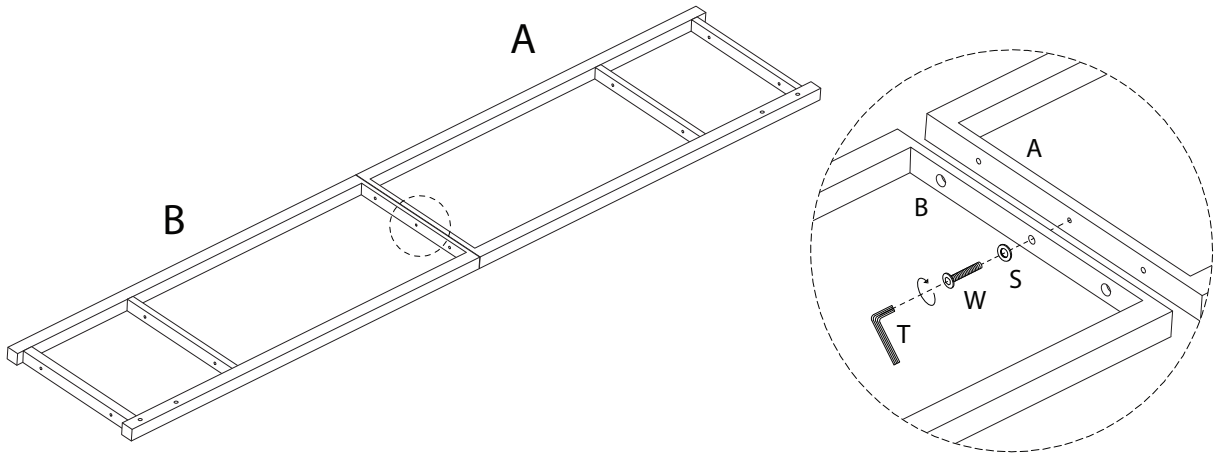
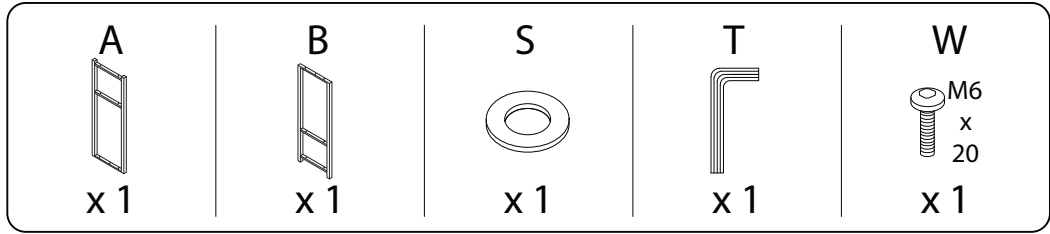
x 1

W

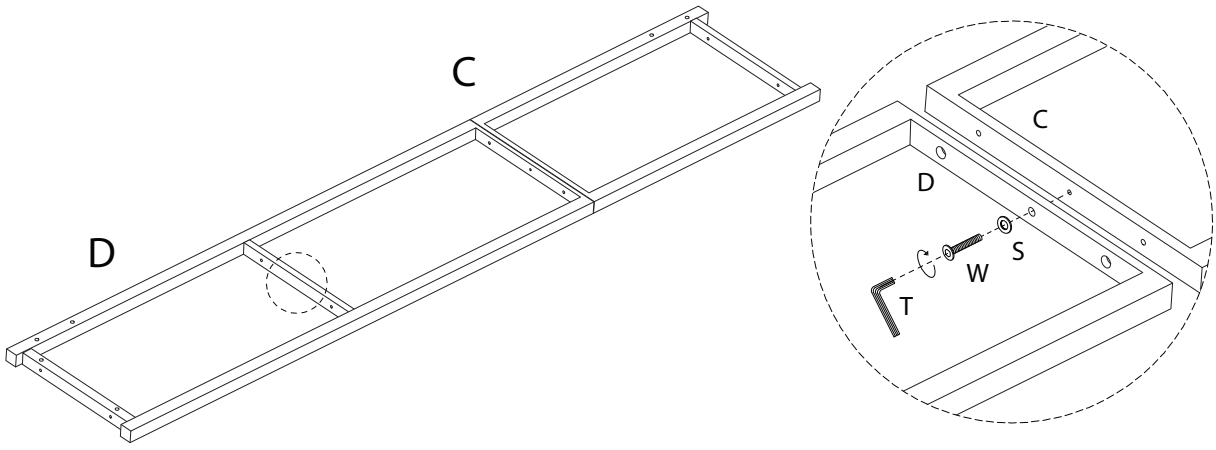
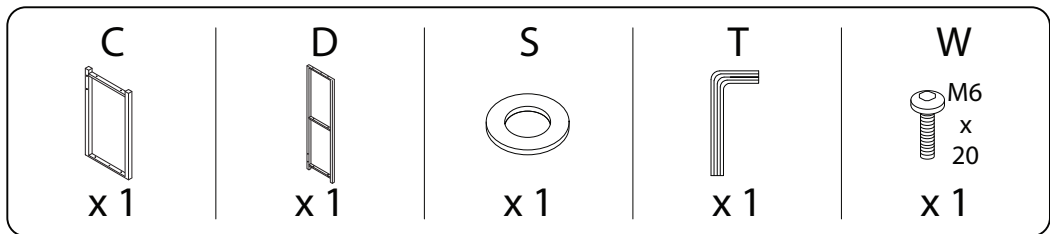


x 2

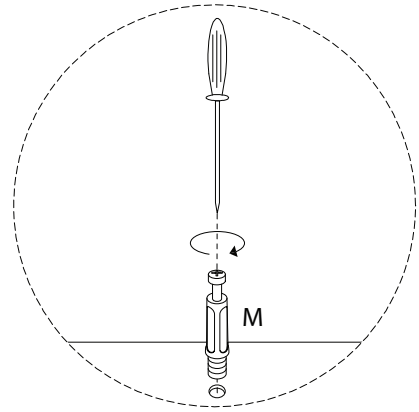
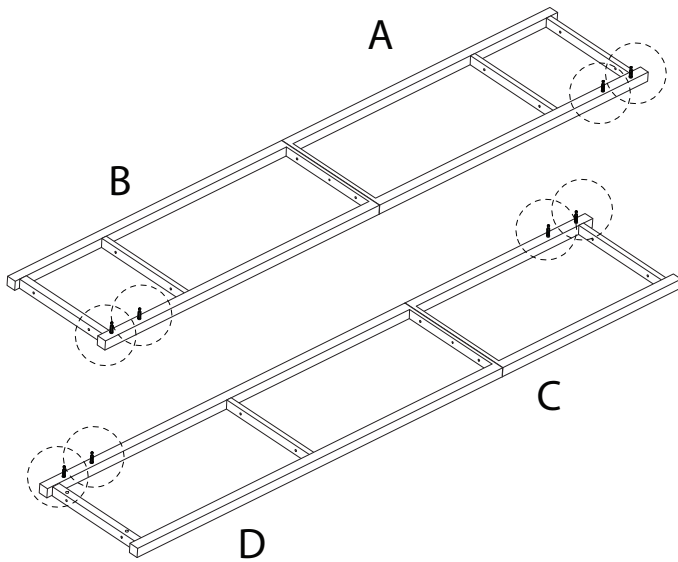
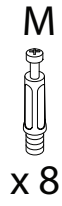
1



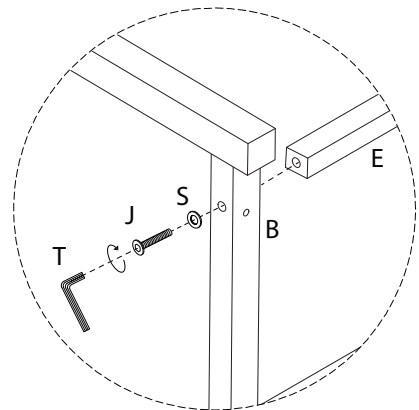
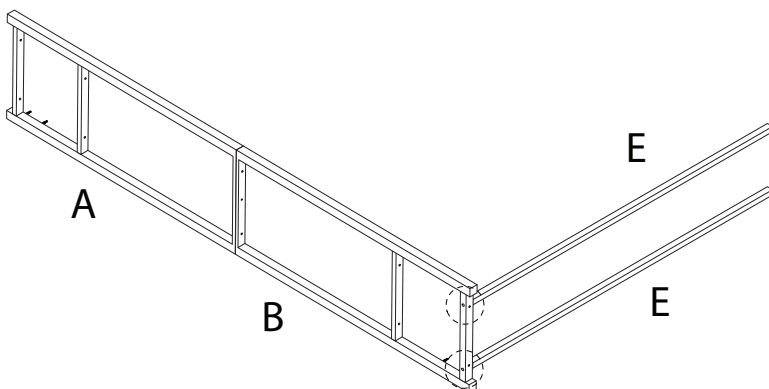
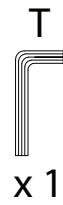
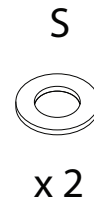
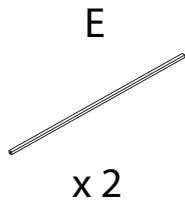
2



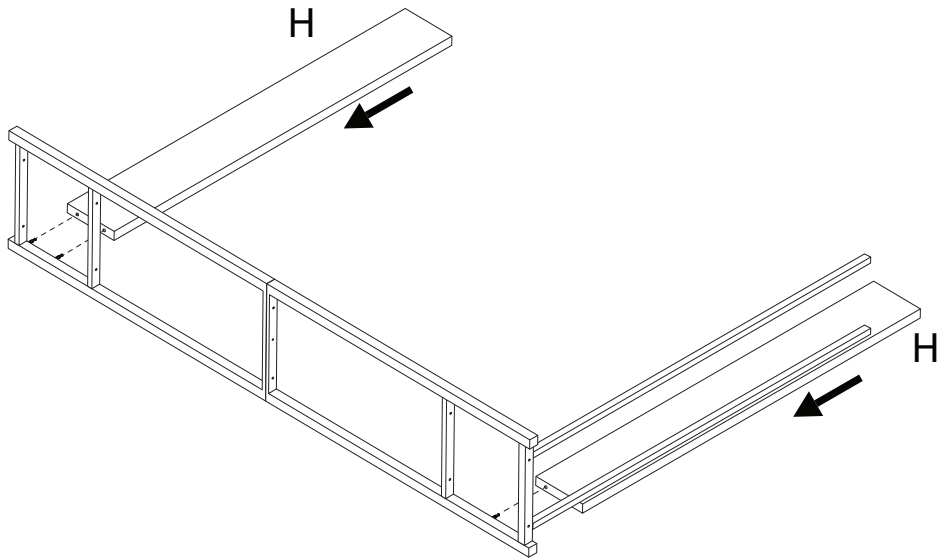
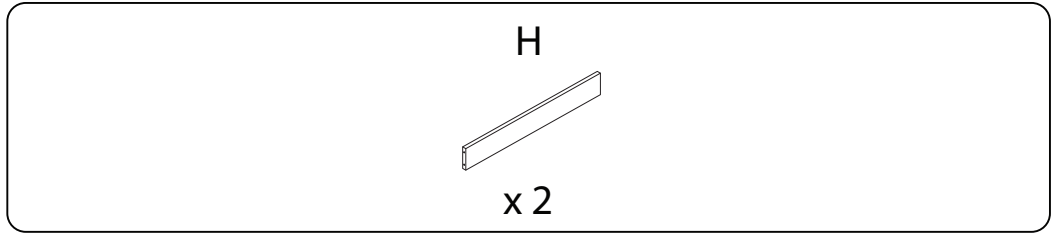
3



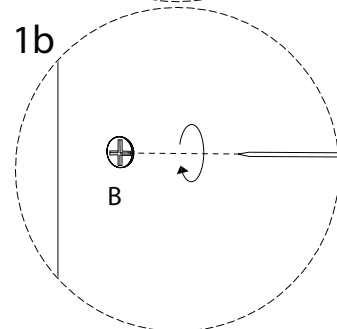
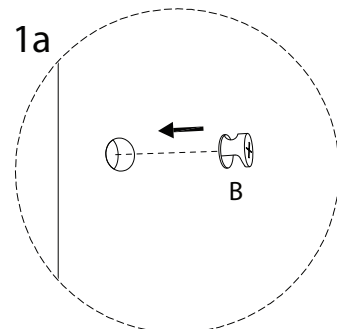
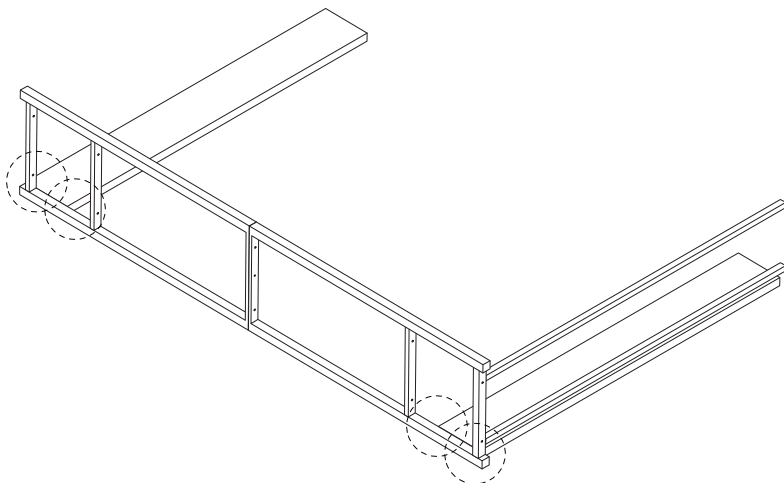
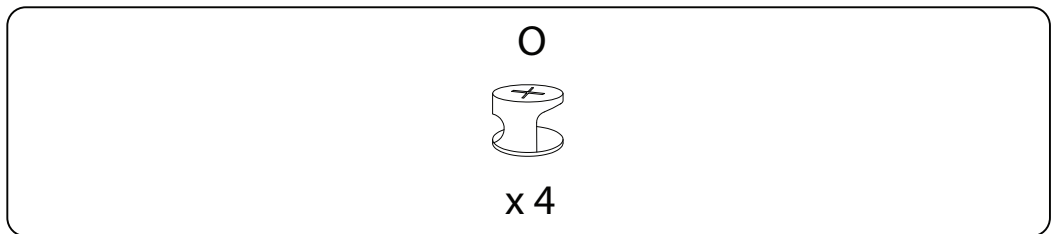
4



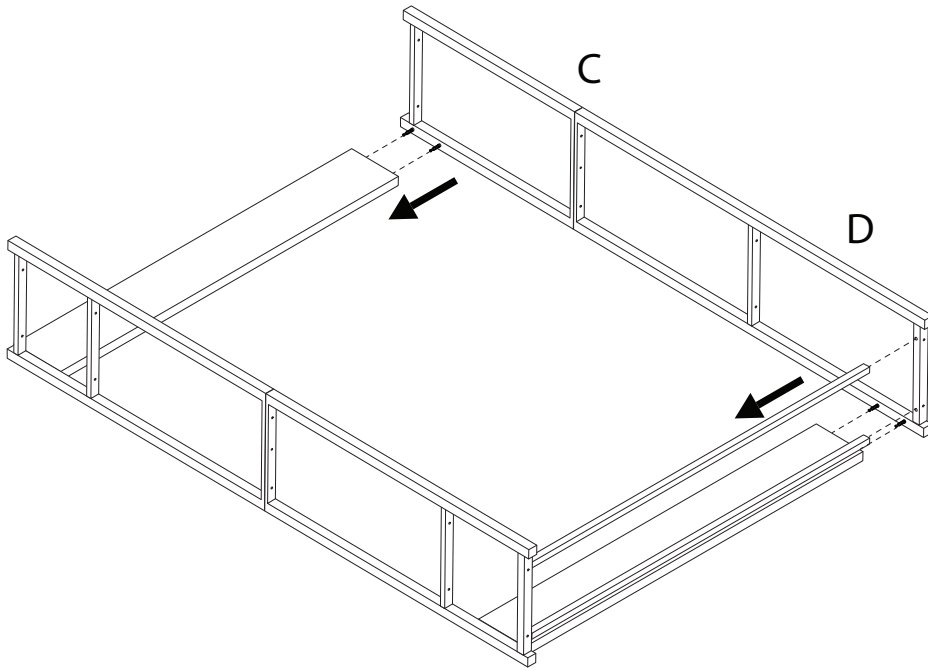
5



6



7

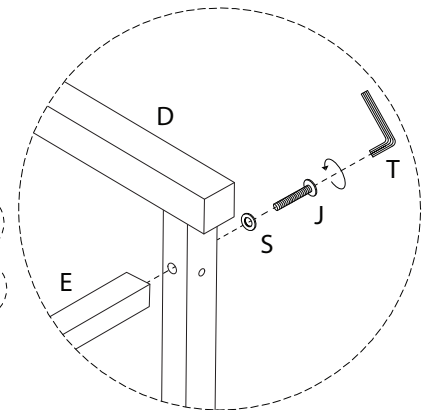
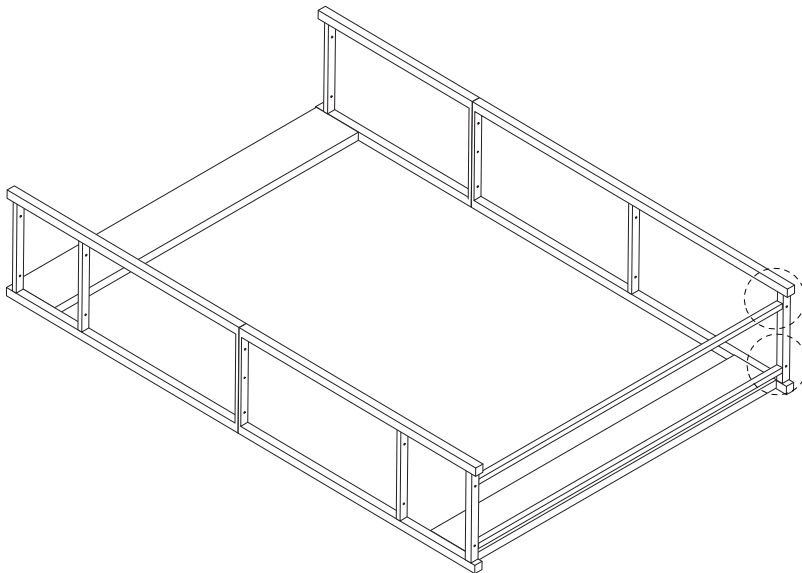


8

J
M6
x
35
x 2

S
x 2

T
x 1

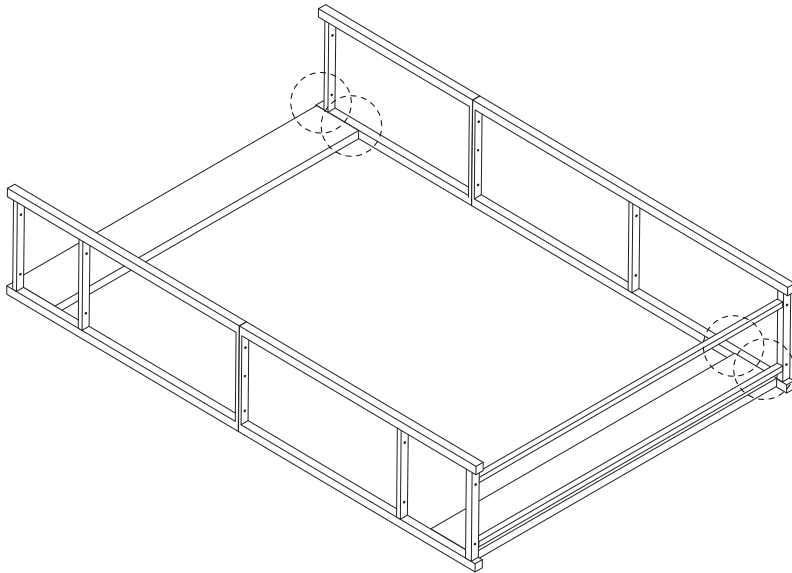


9

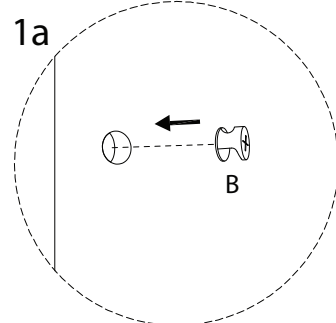
O



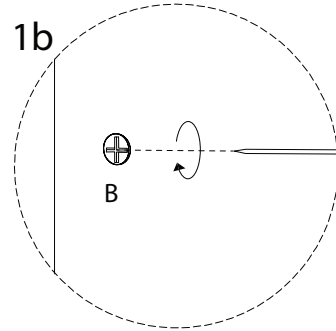
x 4



1a

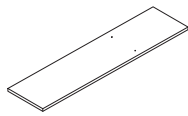


1b



10

I



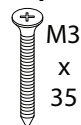
x 1

K



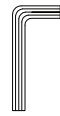
x 4

P

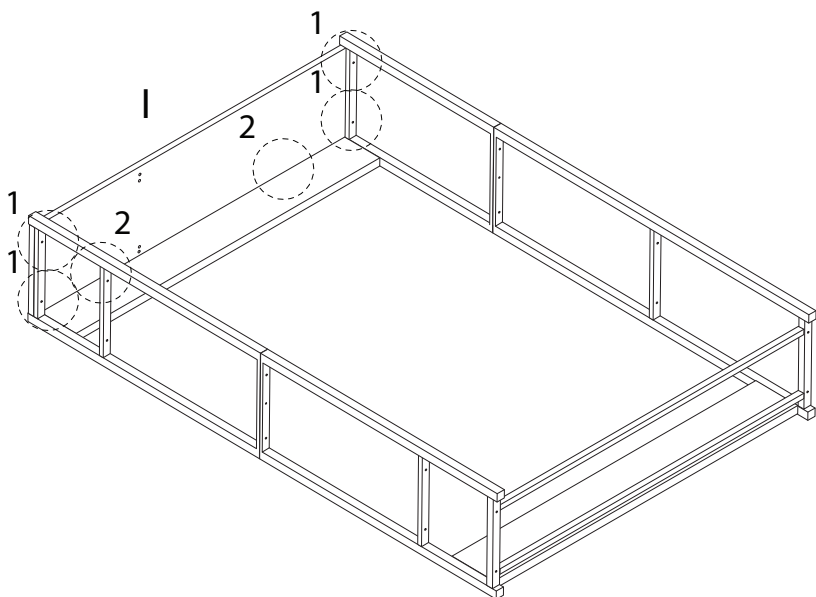


x 2

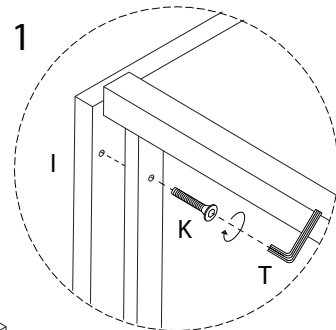
T



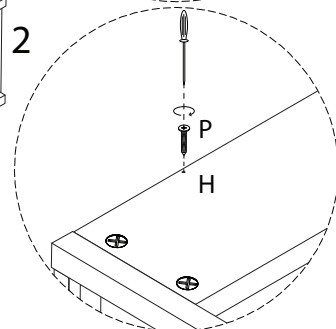
x 1



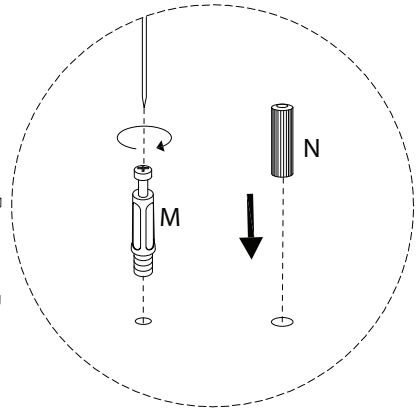
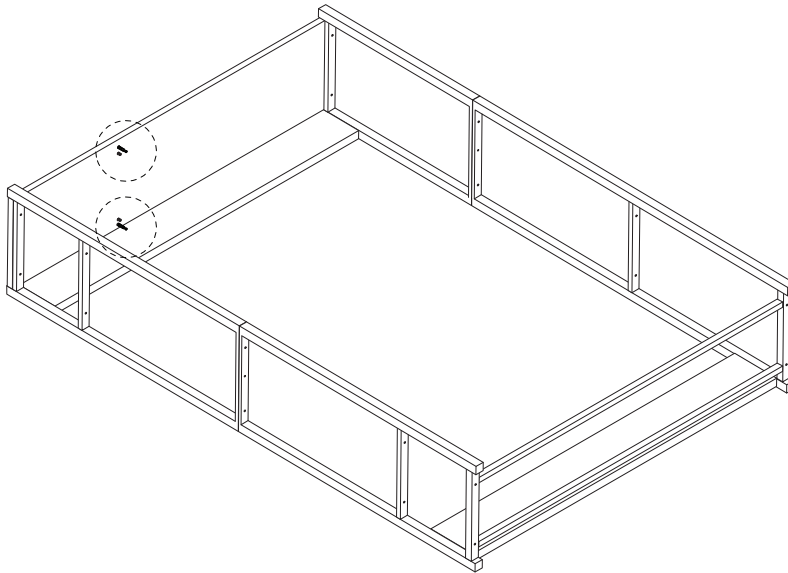
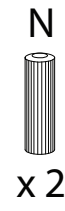
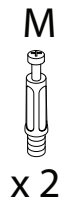
1



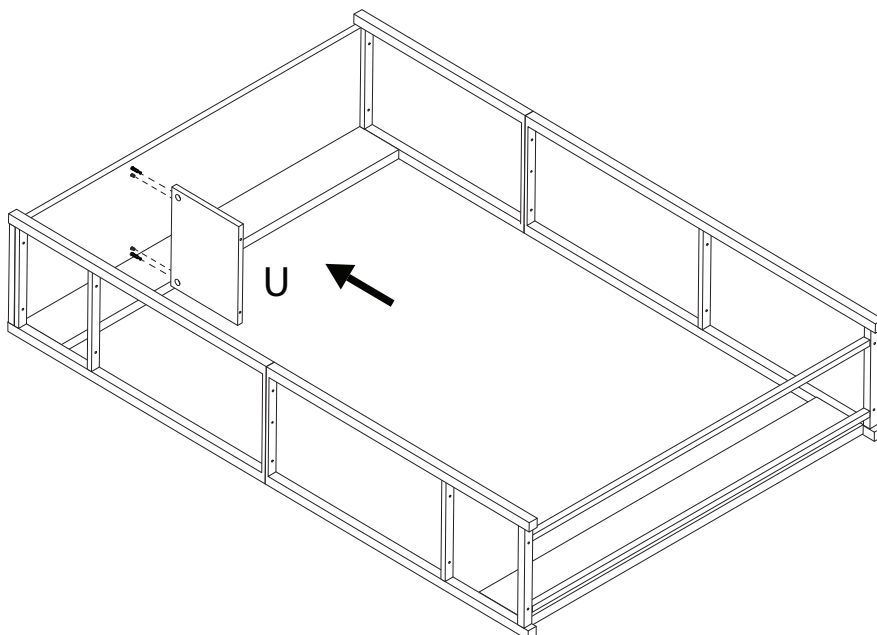
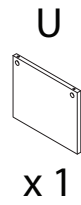
2



11



12

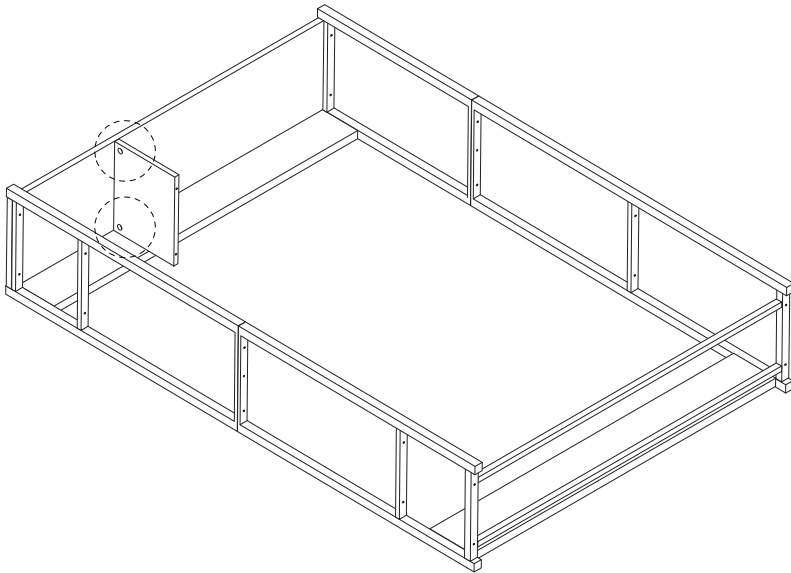


13

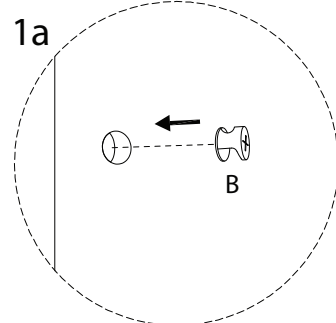
O



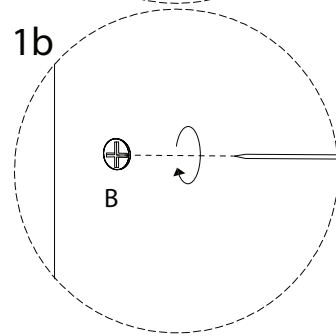
x 2



1a

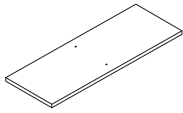


1b



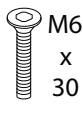
14

F



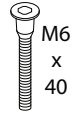
x 1

K



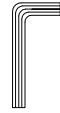
x 2

L

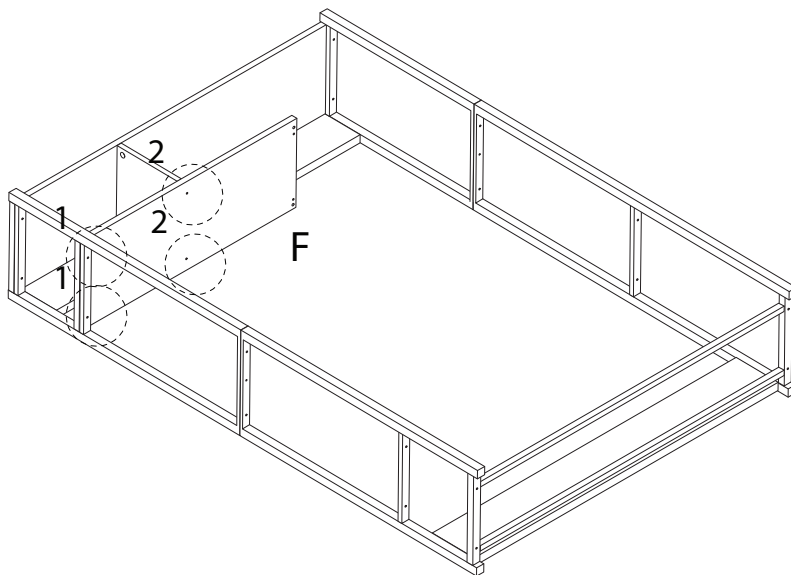


x 2

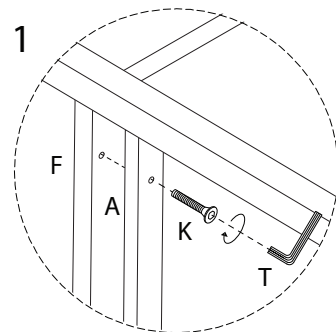
T



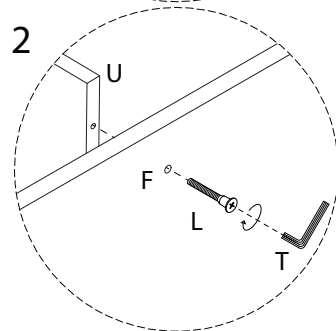
x 1



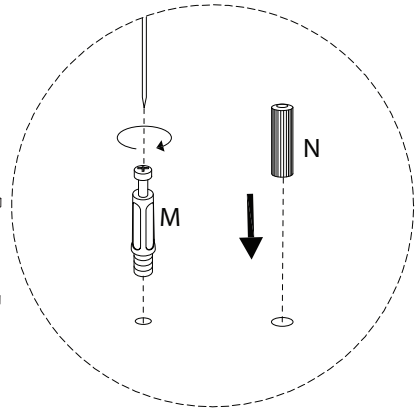
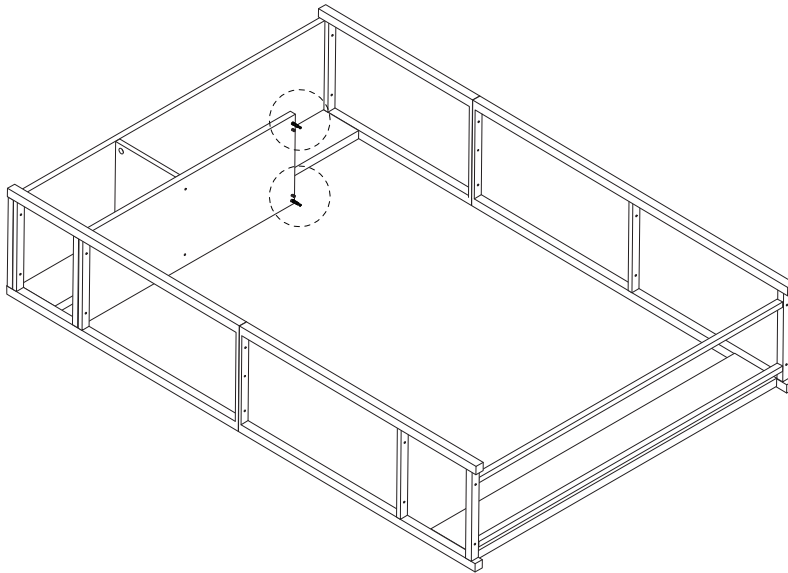
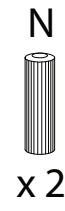
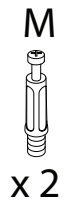
1



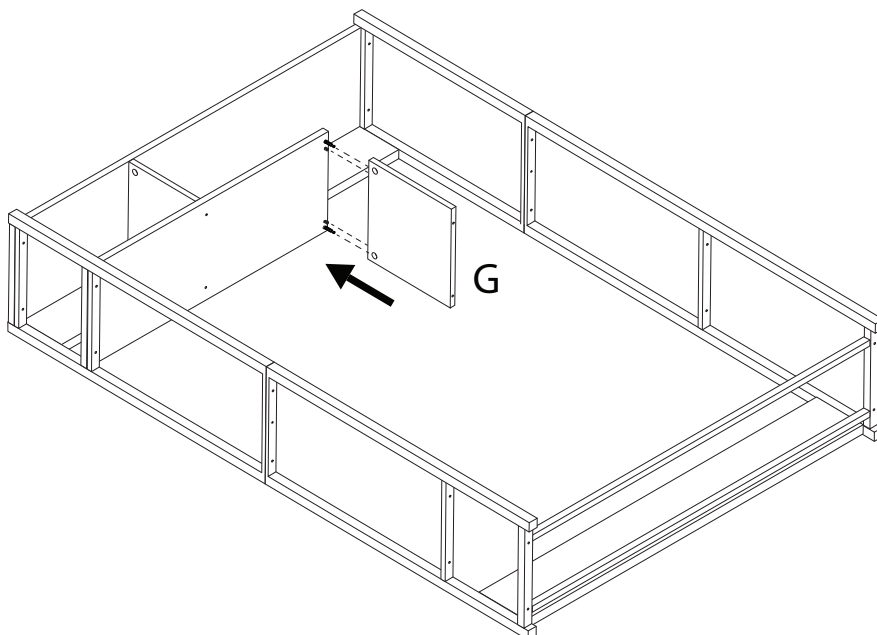
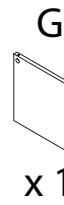
2



15



16

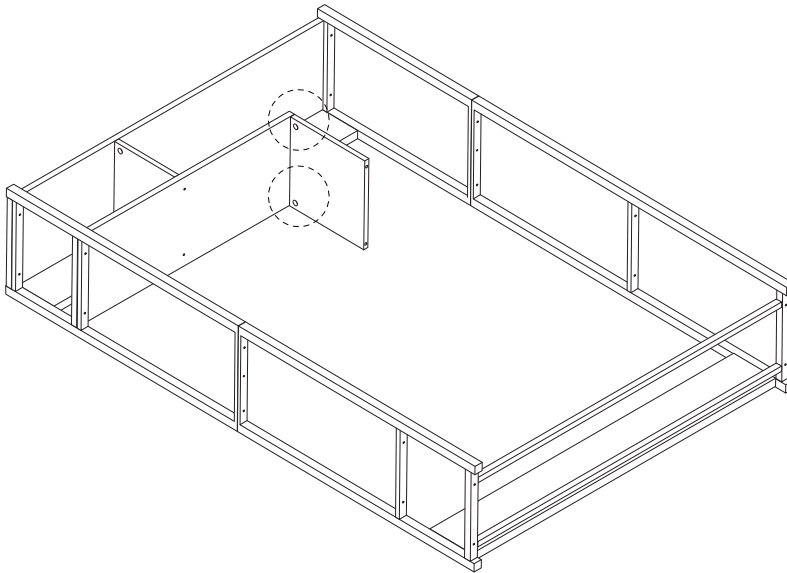


17

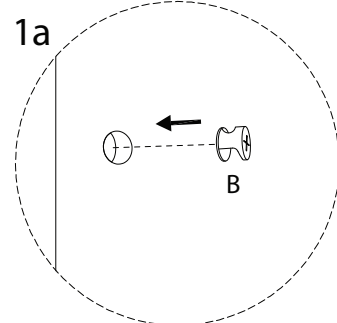
O



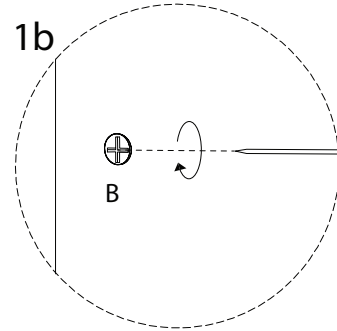
x 2



1a

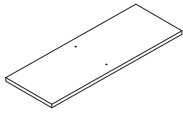


1b



18

F



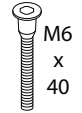
x 1

K



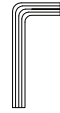
x 2

L

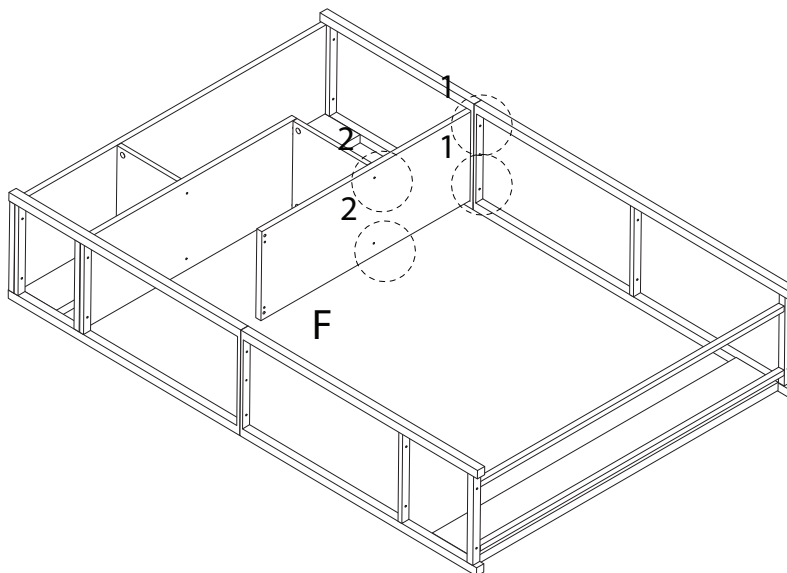


x 2

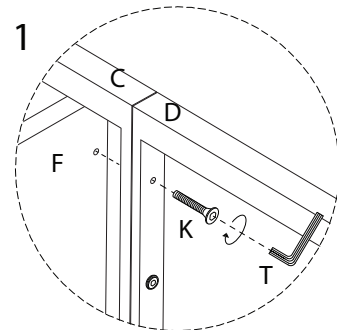
T



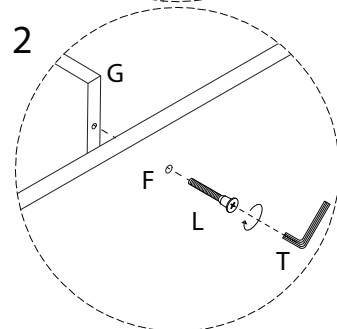
x 1



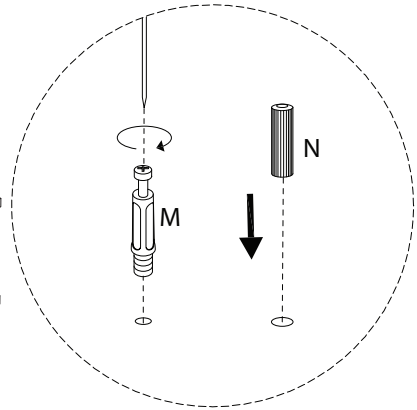
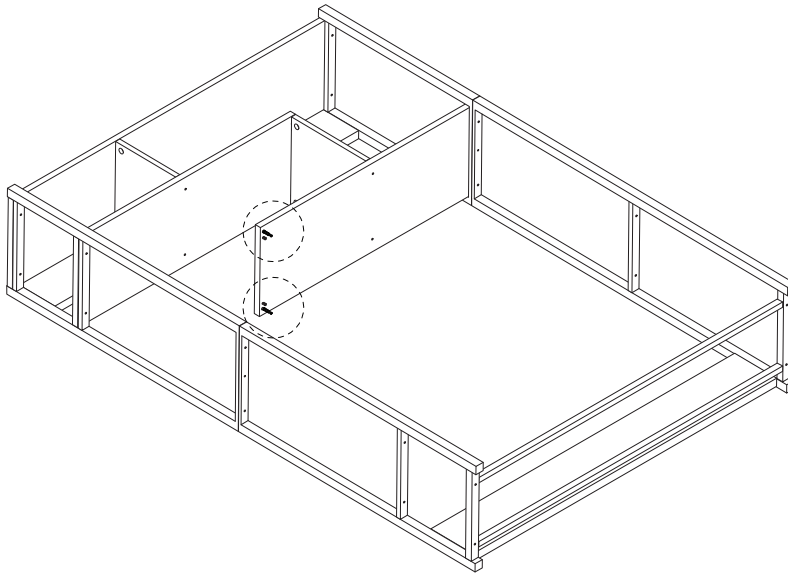
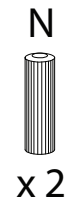
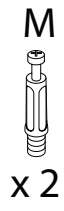
1



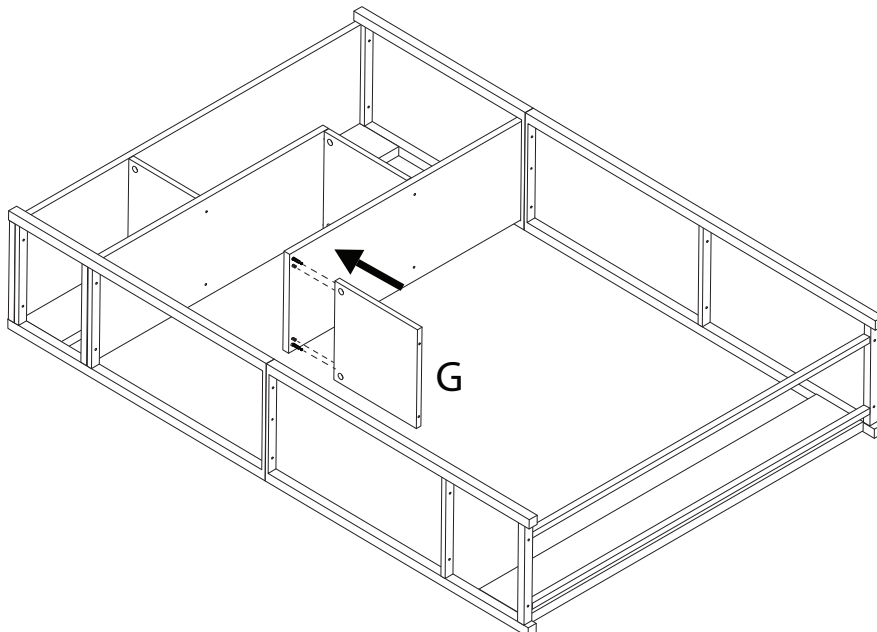
2



19



20

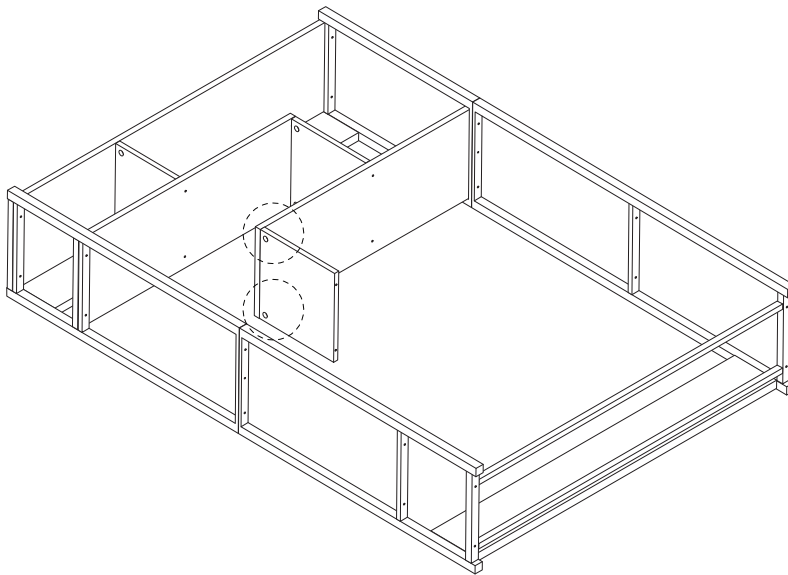


21

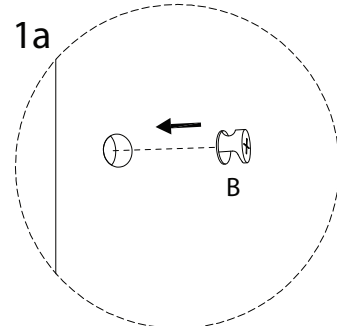
O



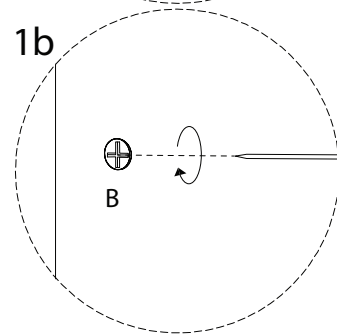
x 2



1a

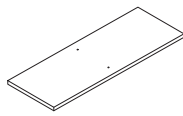


1b



22

F



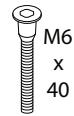
x 1

K



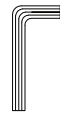
x 2

L

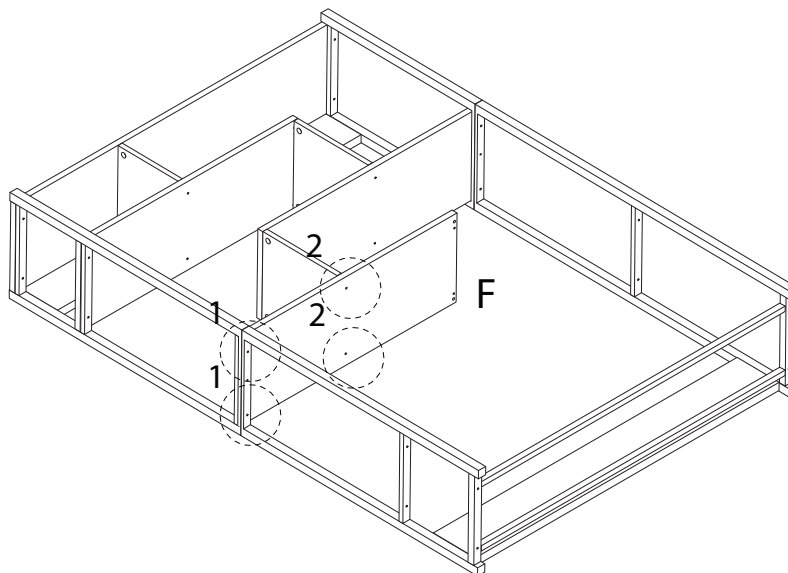


x 2

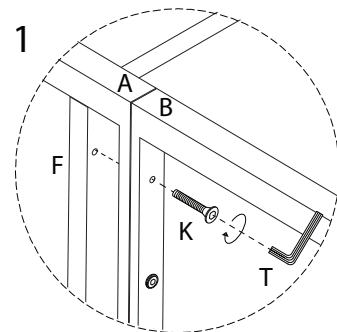
T



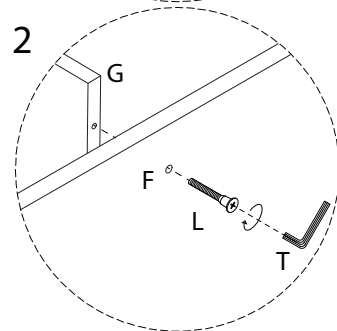
x 1



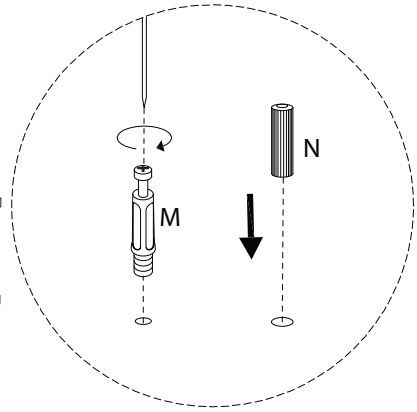
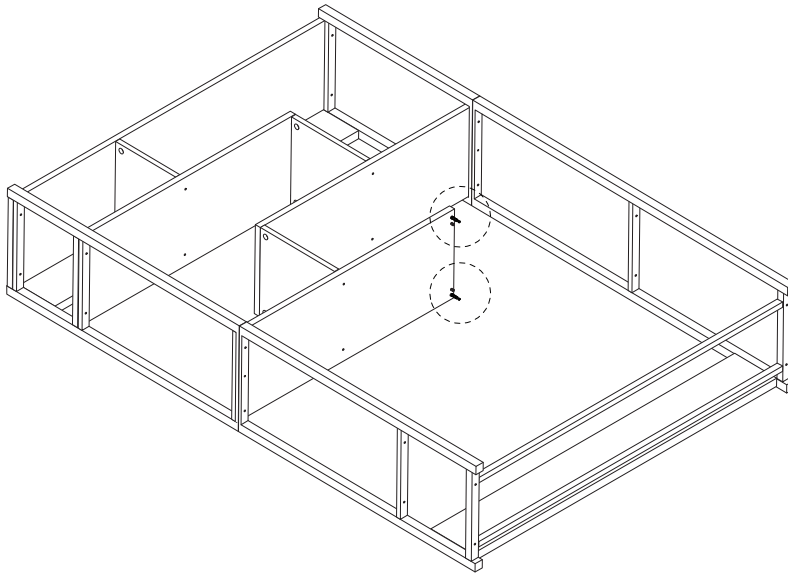
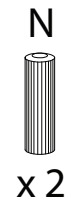
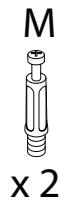
1



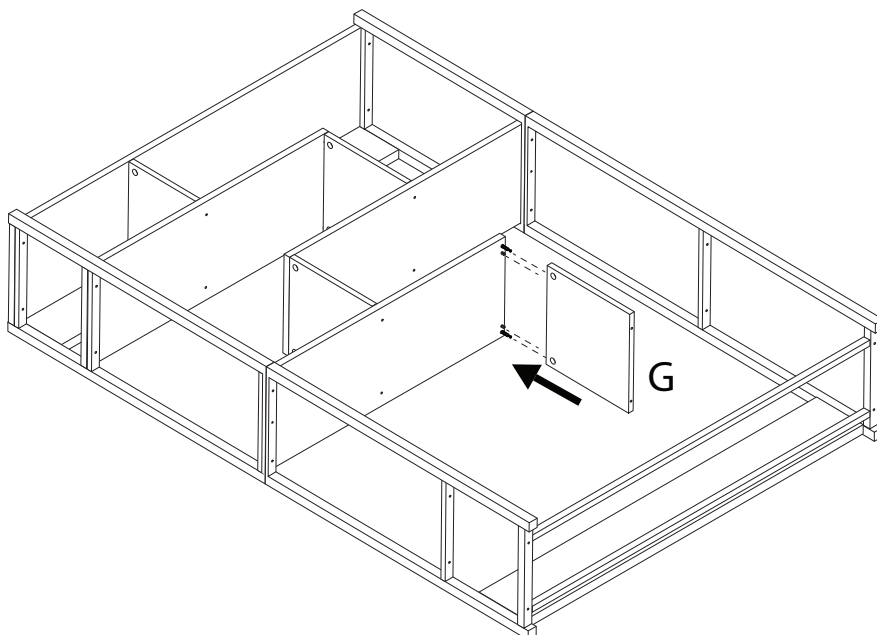
2



23



24

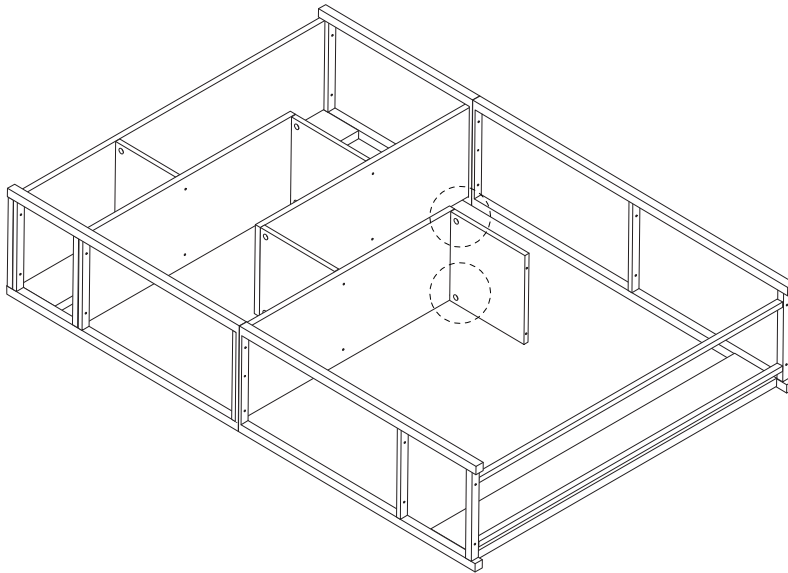


25

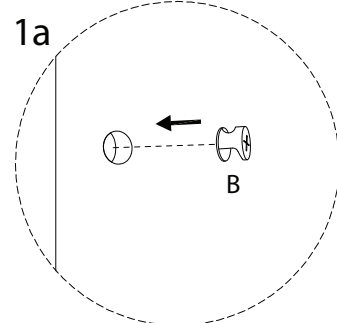
O



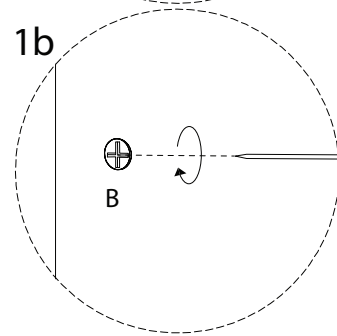
x 2



1a

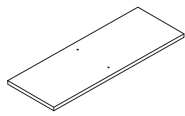


1b



26

F



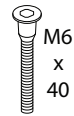
x 1

K



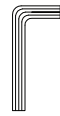
x 2

L

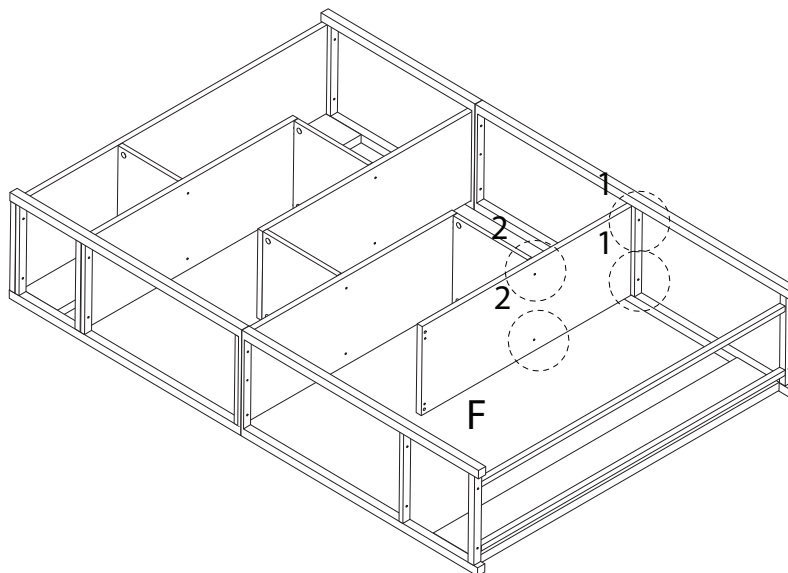


x 2

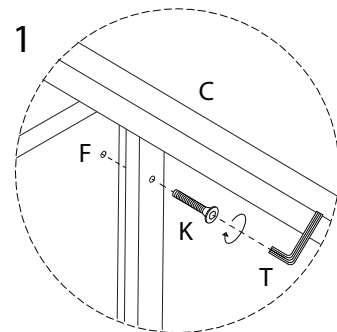
T



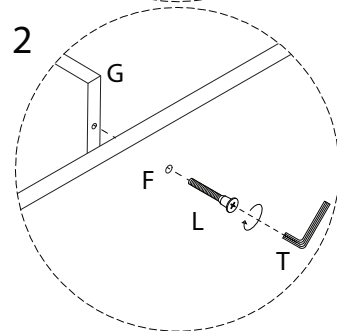
x 1



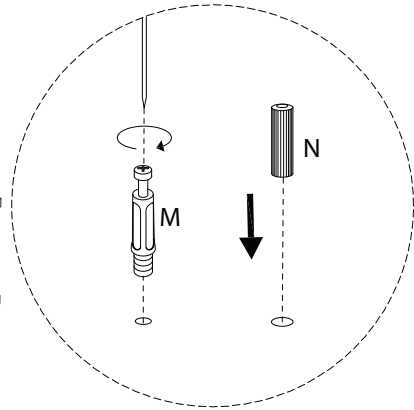
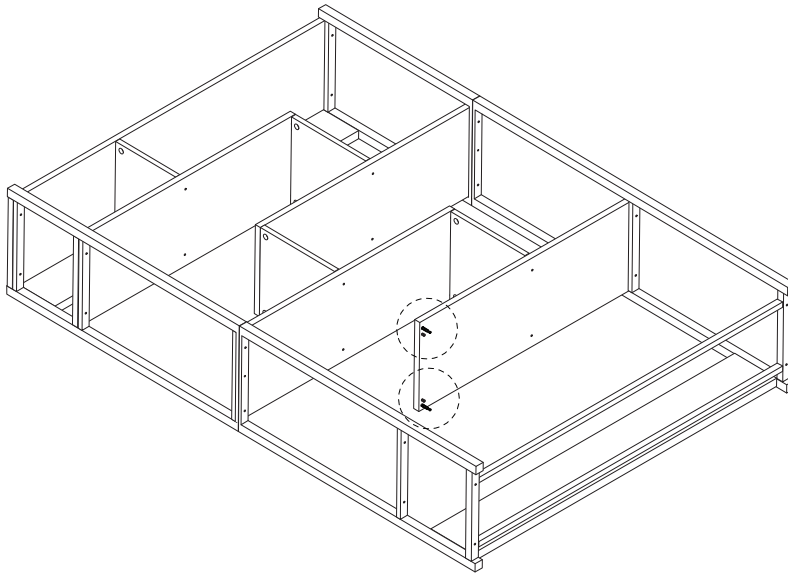
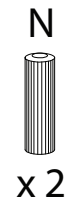
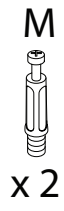
1



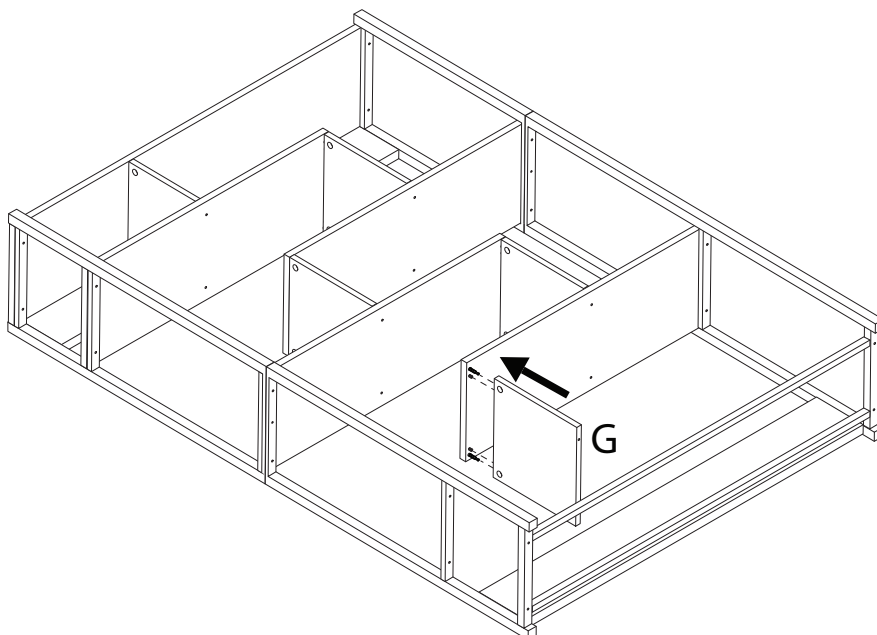
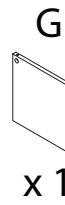
2



27



28

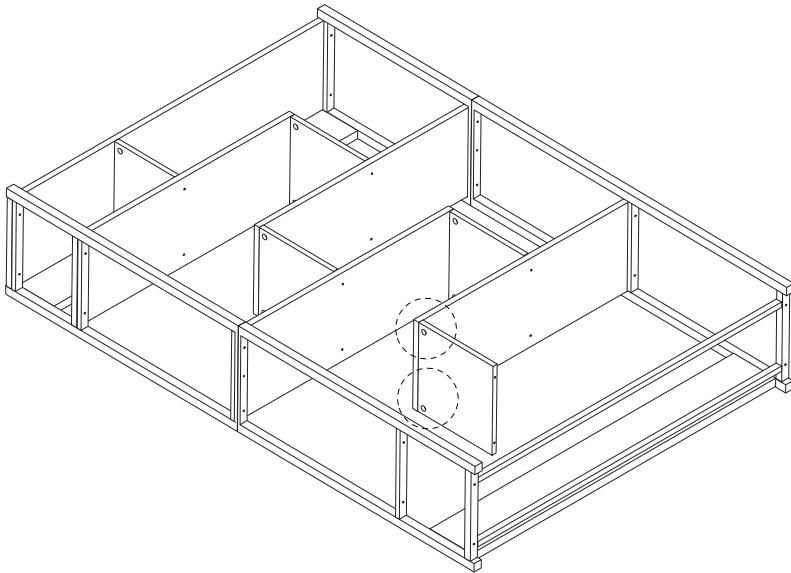


29

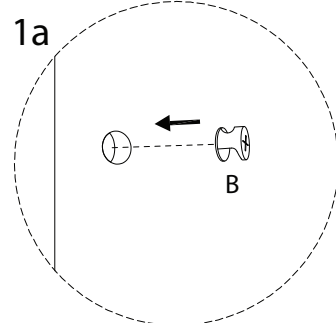
O



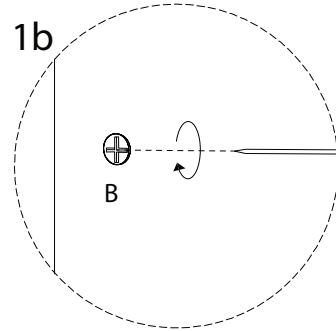
x 2



1a

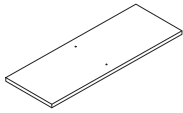


1b



30

F



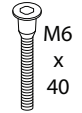
x 1

K



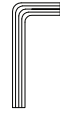
x 2

L

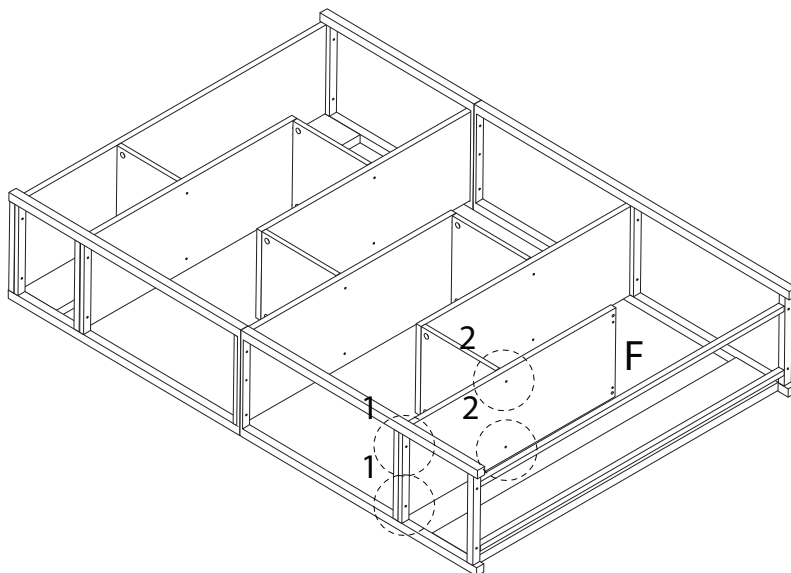


x 2

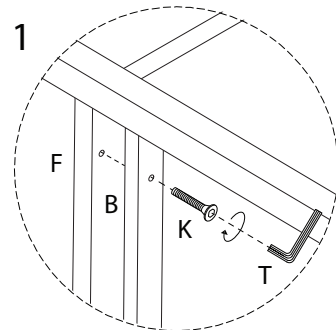
T



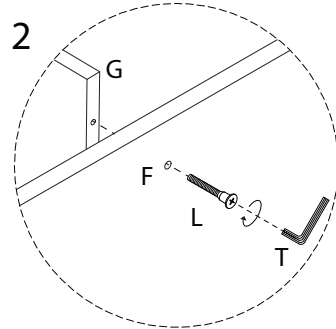
x 1



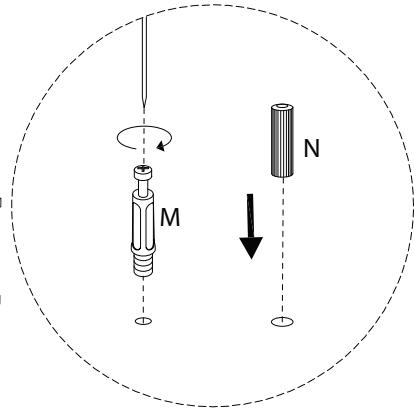
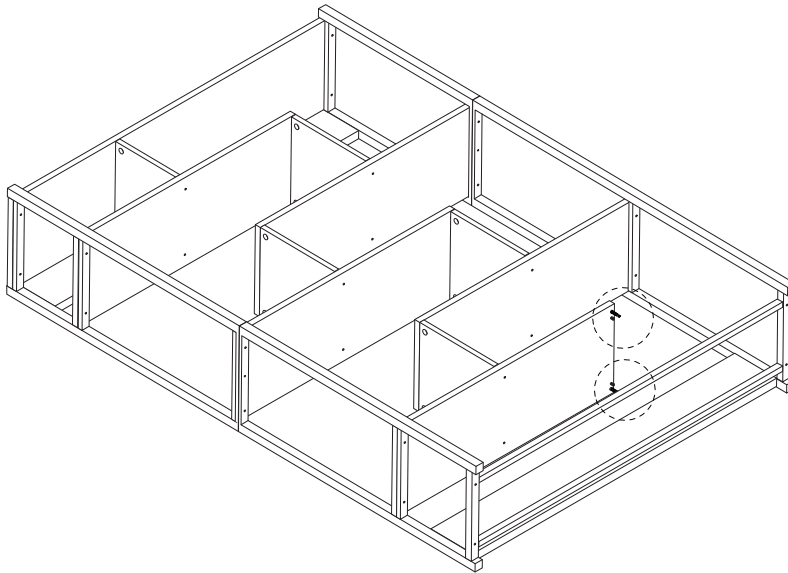
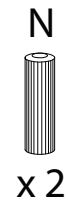
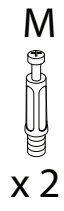
1



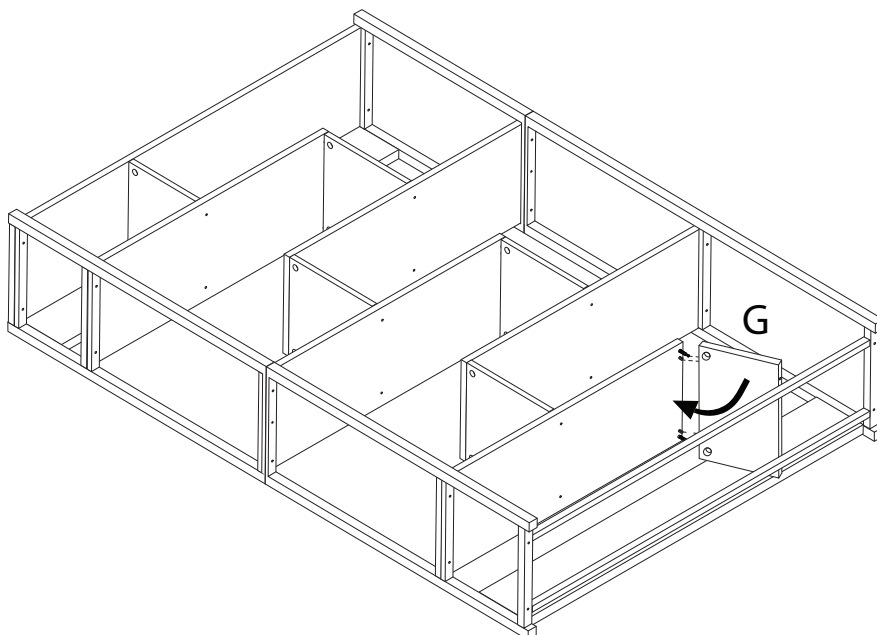
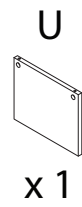
2



31



32

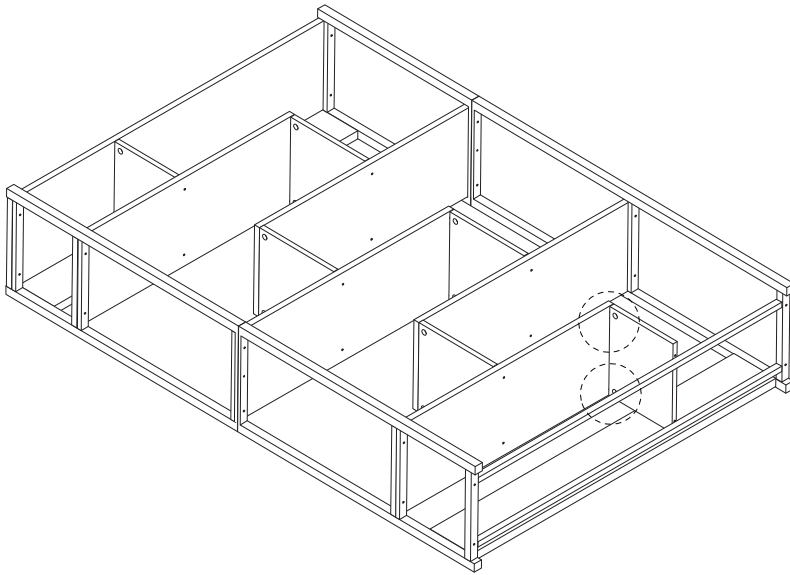


33

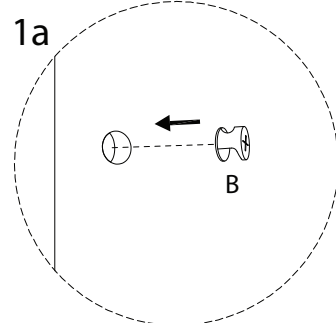
O



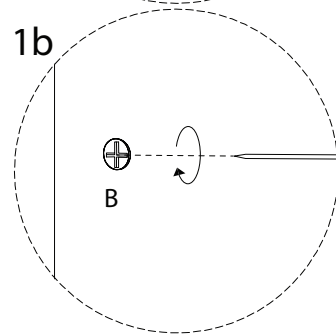
x 2



1a

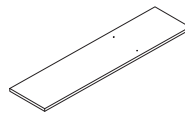


1b

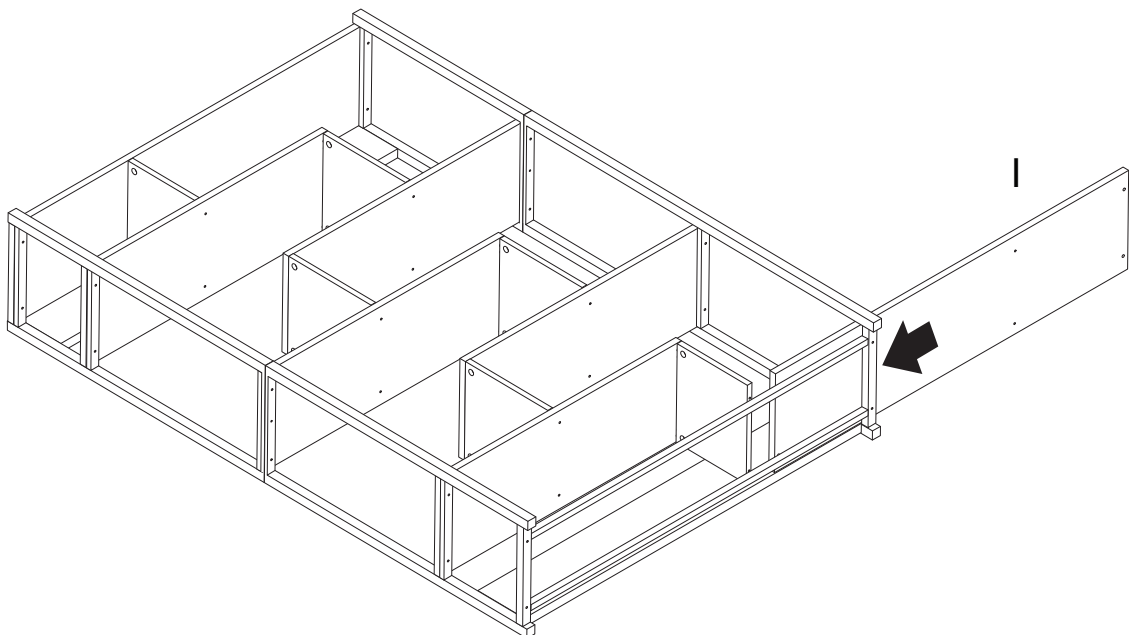


34

I

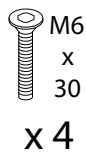


x 1

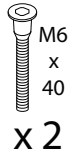


35

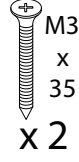
K



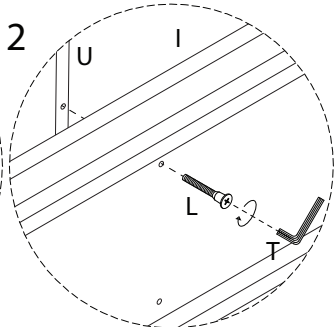
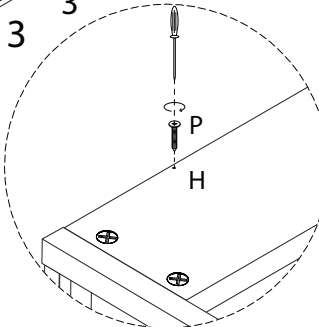
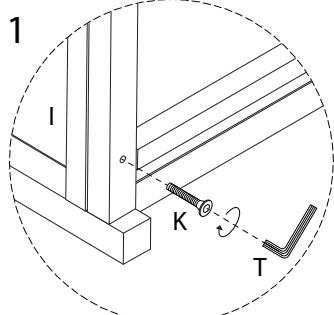
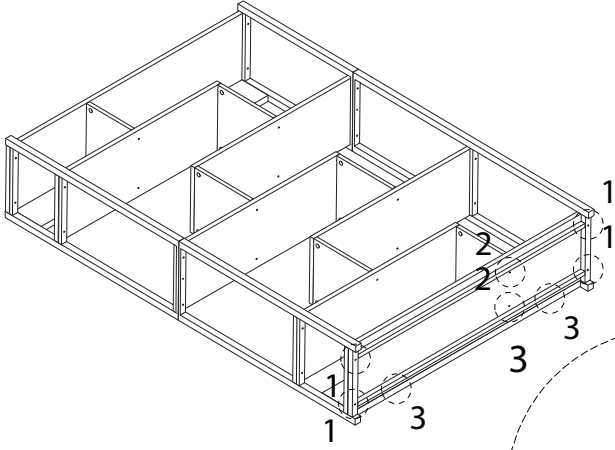
L



P

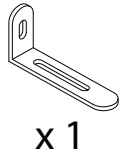


T



36

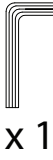
R



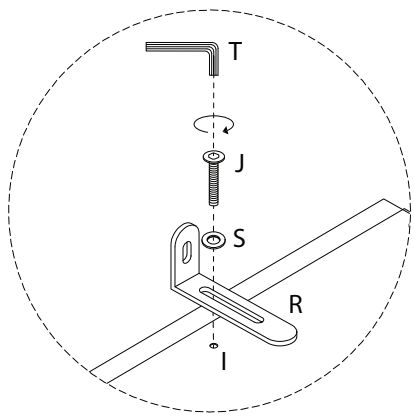
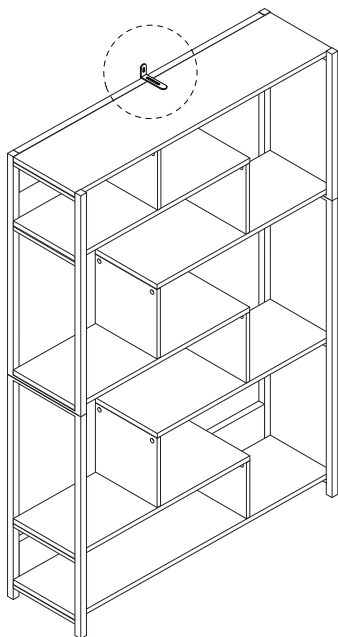
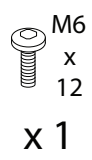
S



T



V



37

