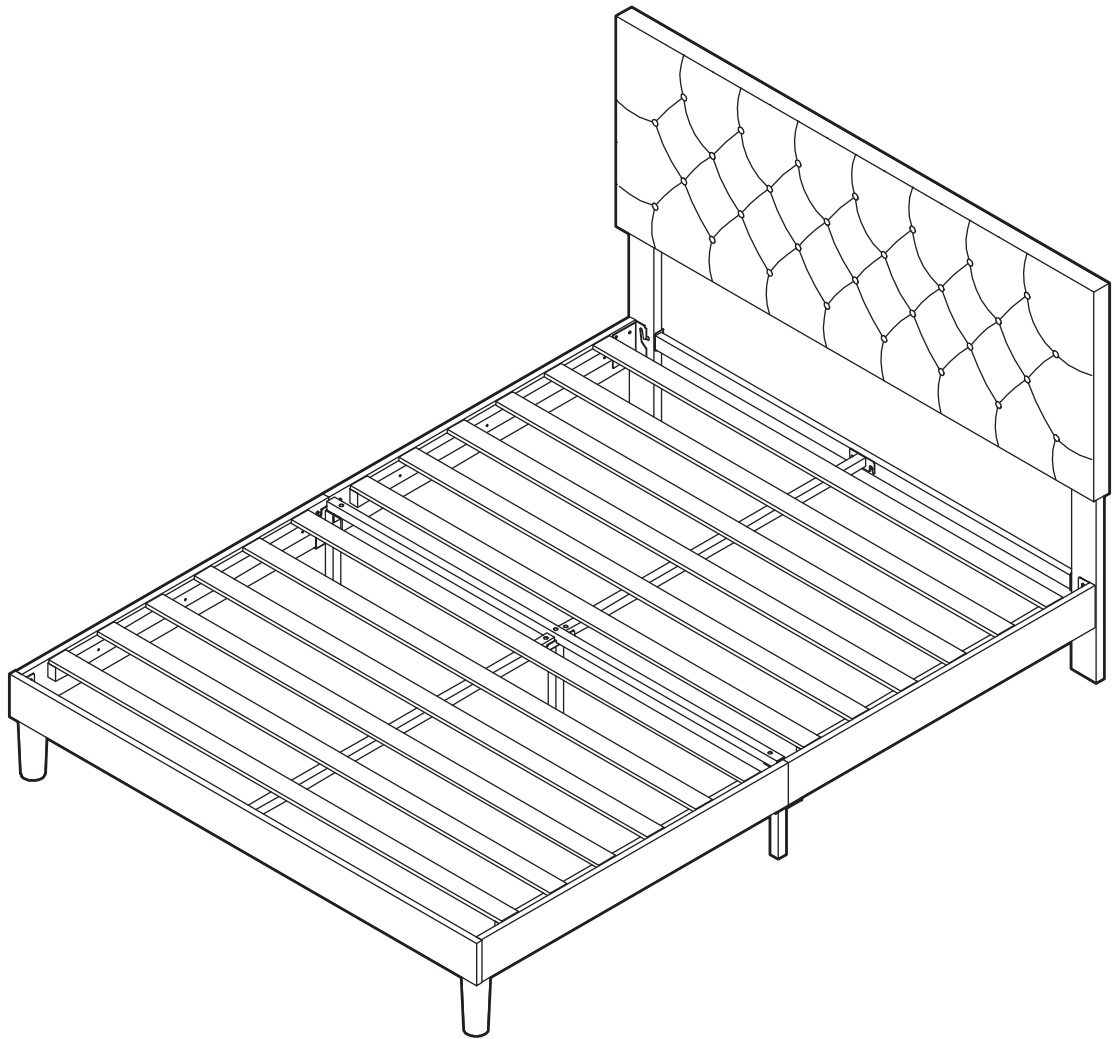


Platform Bed

MFLXRB001 / MFLXRB002

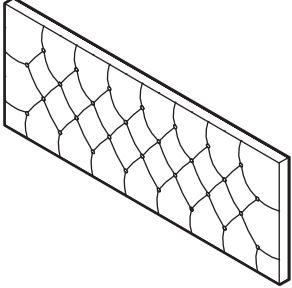
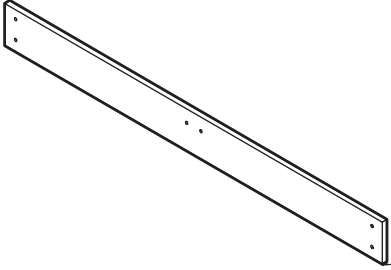
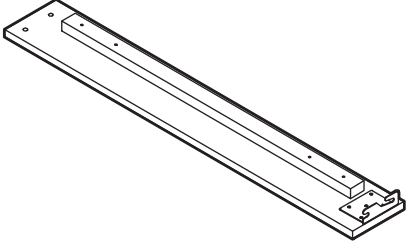
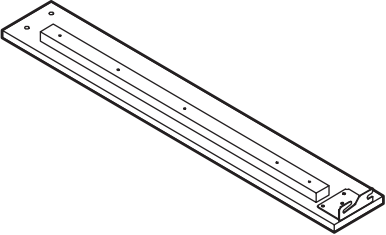
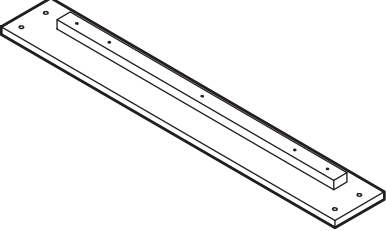
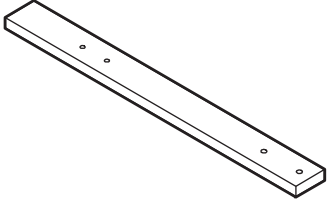
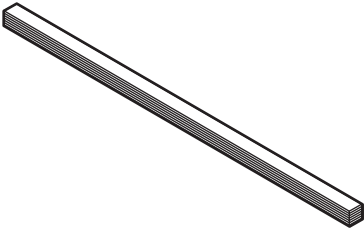
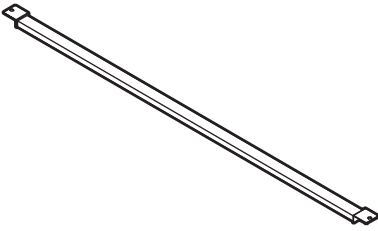
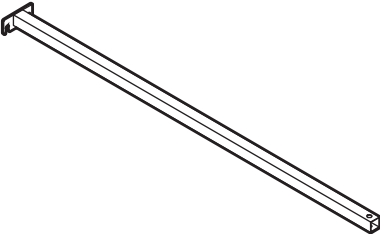
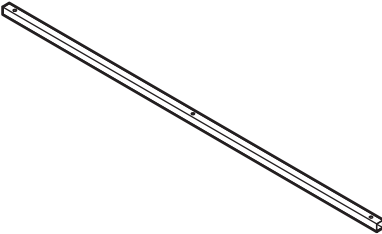
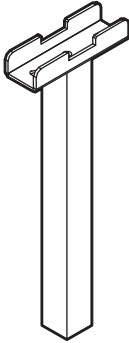
ORIGINAL INSTRUCTION MANUAL

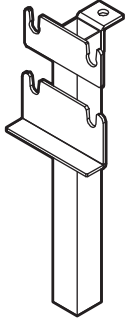

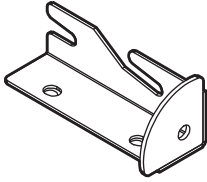
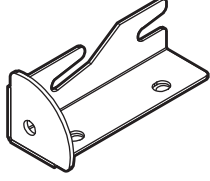
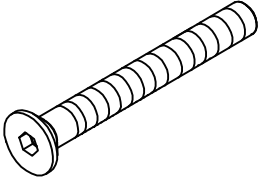
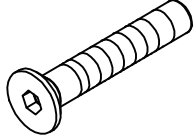
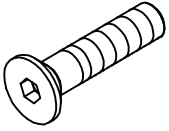
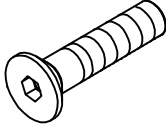




DEAR CUSTOMER,

Thank you for choosing our product. Please read this manual carefully before assembling or using the product, to avoid damage caused by improper use. If the product is passed on to third parties, this manual has to be passed on along with the product. For any question don't hesitate to contact us.

PARTS LIST

A 1× 	B 1× 	C1 1× 
C2 1× 	D 2× 	E4 2× 
G 2× 	H 1× 	
I 2× 	J 1× 	K 1× 

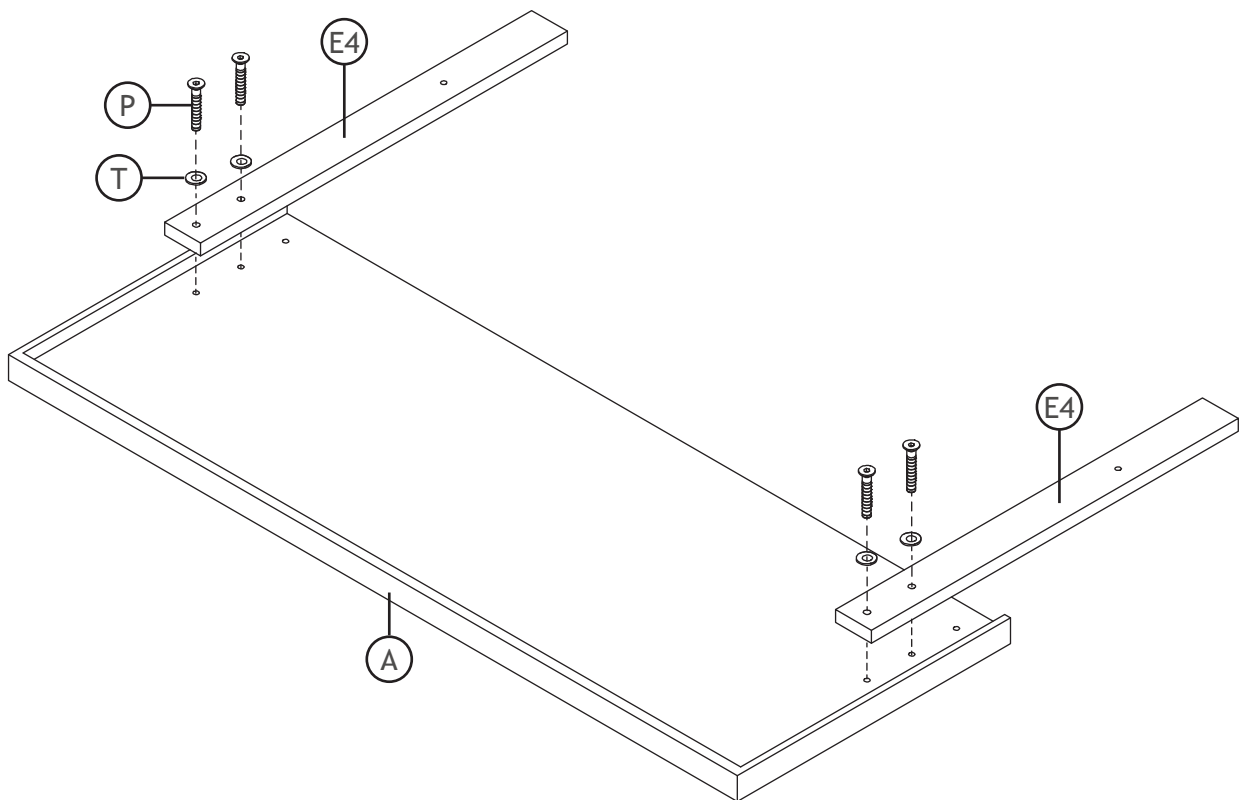
<p>L</p>  <p>2x</p>	<p>M</p>  <p>2x</p>	<p>O1</p>  <p>1x</p>
<p>O2</p>  <p>1x</p>	<p>P</p>  <p>M8x50</p>	<p>Q</p>  <p>M8x40</p>
<p>R</p>  <p>M8x25</p> <p>6x</p>	<p>S</p>  <p>M8x18</p> <p>20x</p>	
<p>T</p>  <p>M8</p> <p>4x</p>	<p>U</p>  <p>M8 Spanner</p> <p>1x</p>	

ASSEMBLY

Please check that you have all the parts listed before you start assembling, if you do find that something is missing, do not continue assembly. Please contact us immediately.

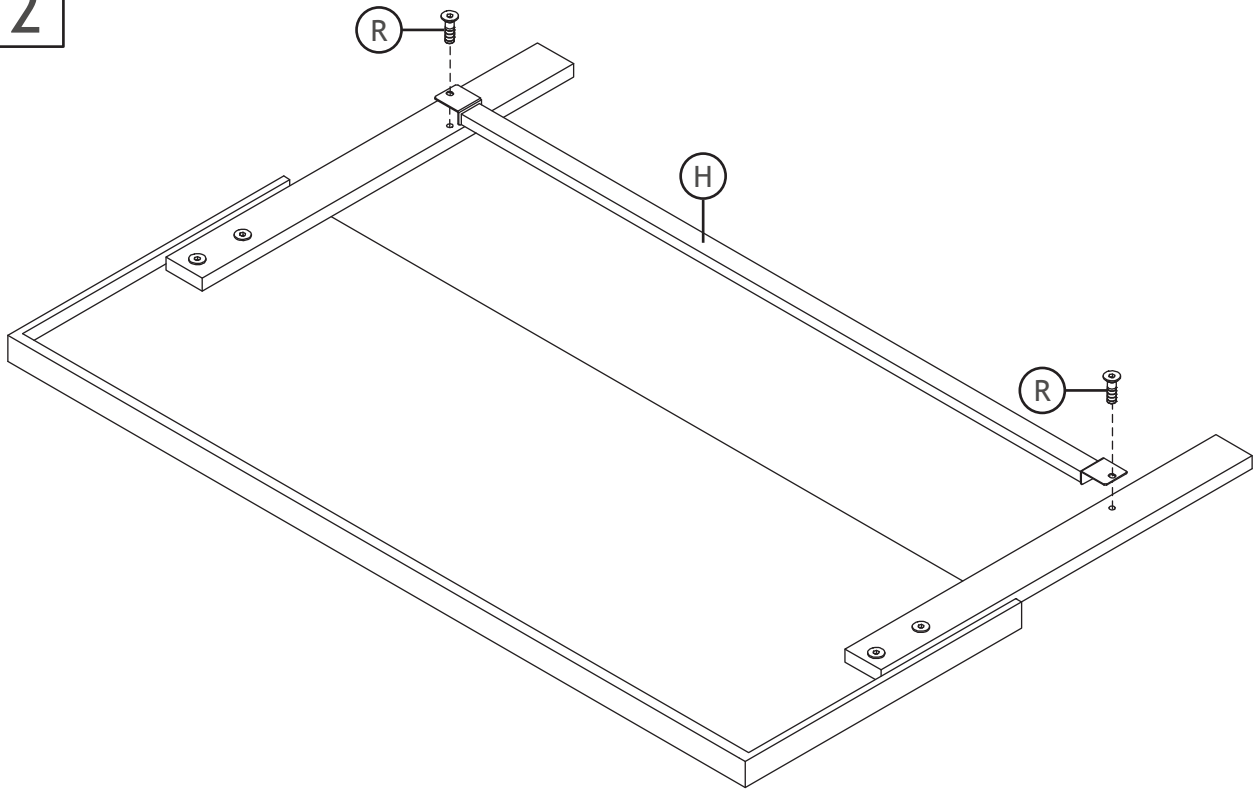
NOTE: Please do not completely tighten all the hardware until the entire assembly is complete!

1

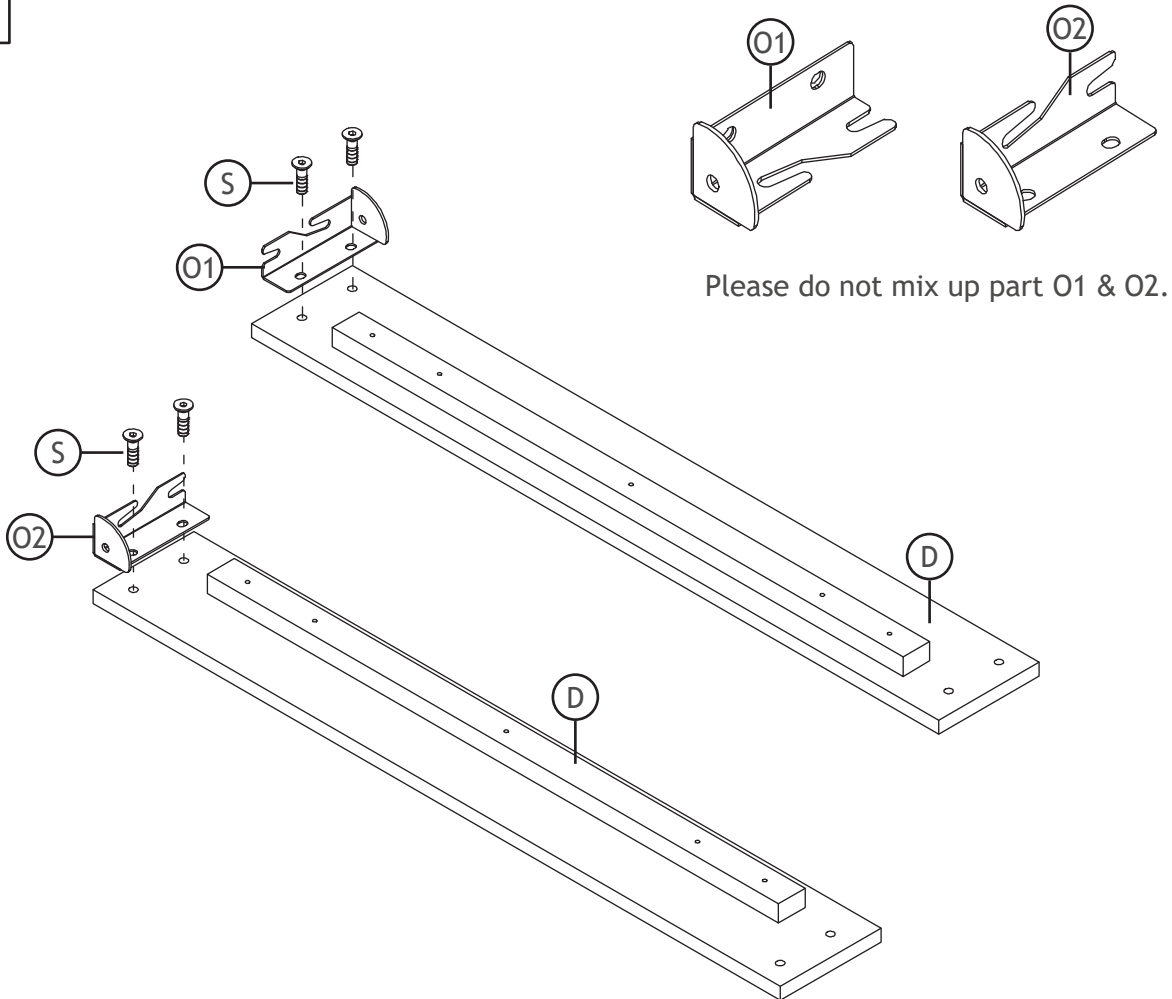


Pay attention to the orientation of the hole.

2

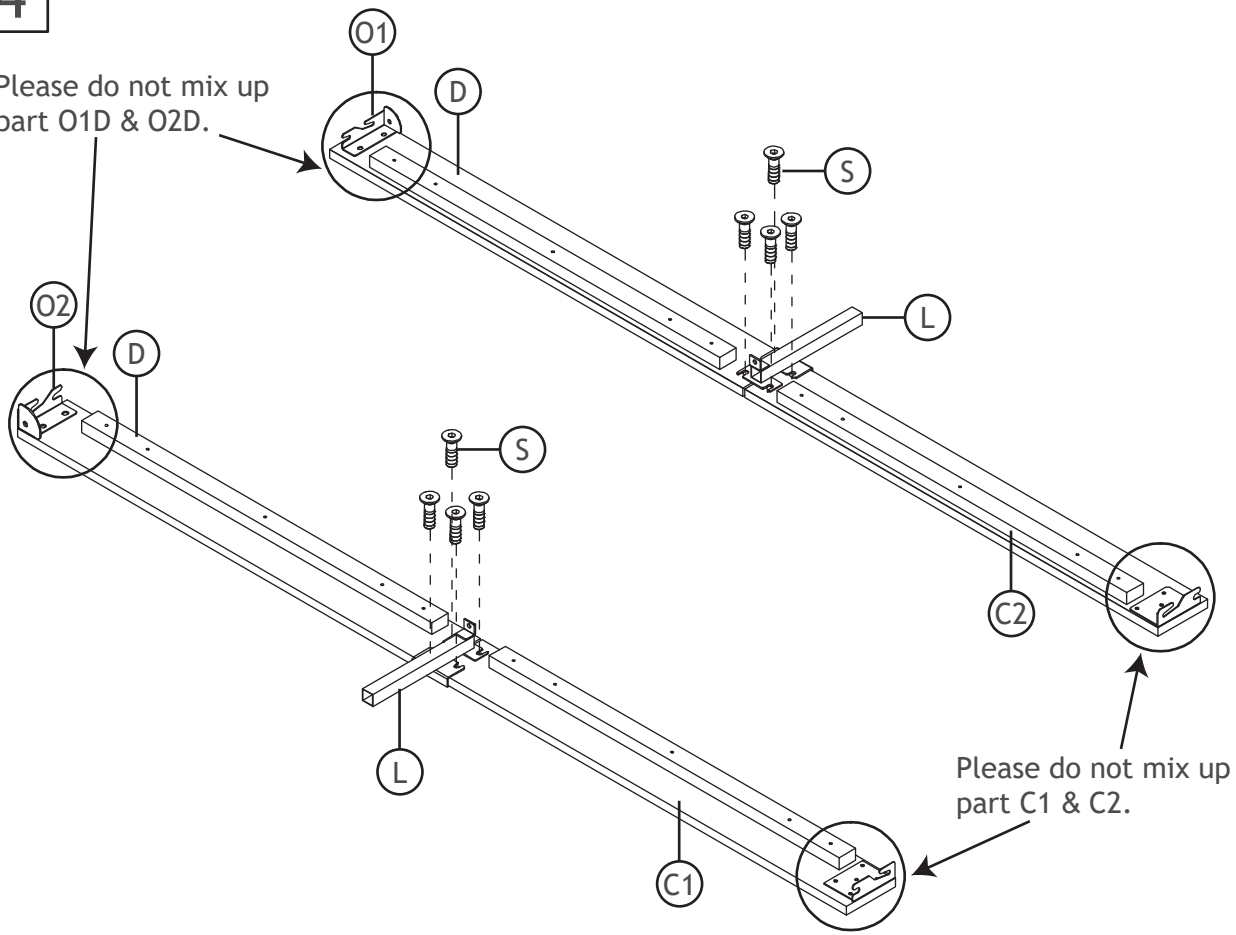


3

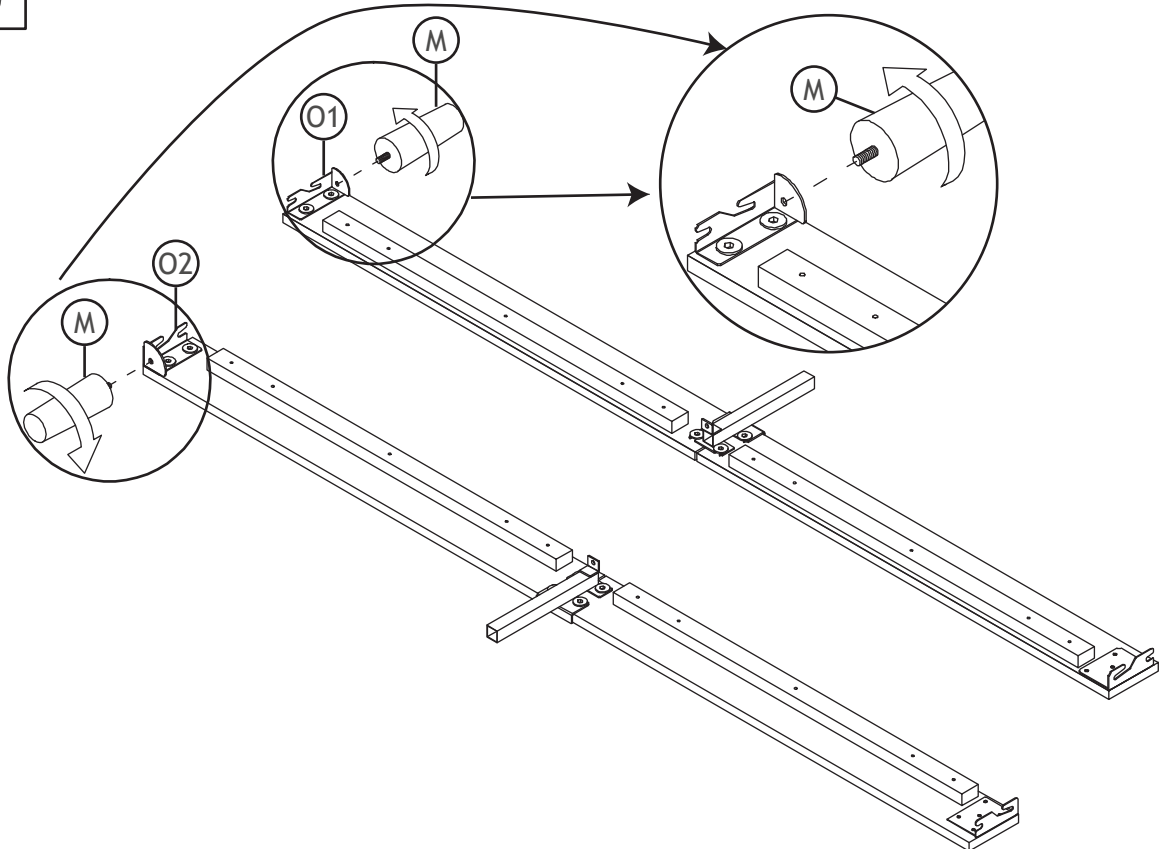


4

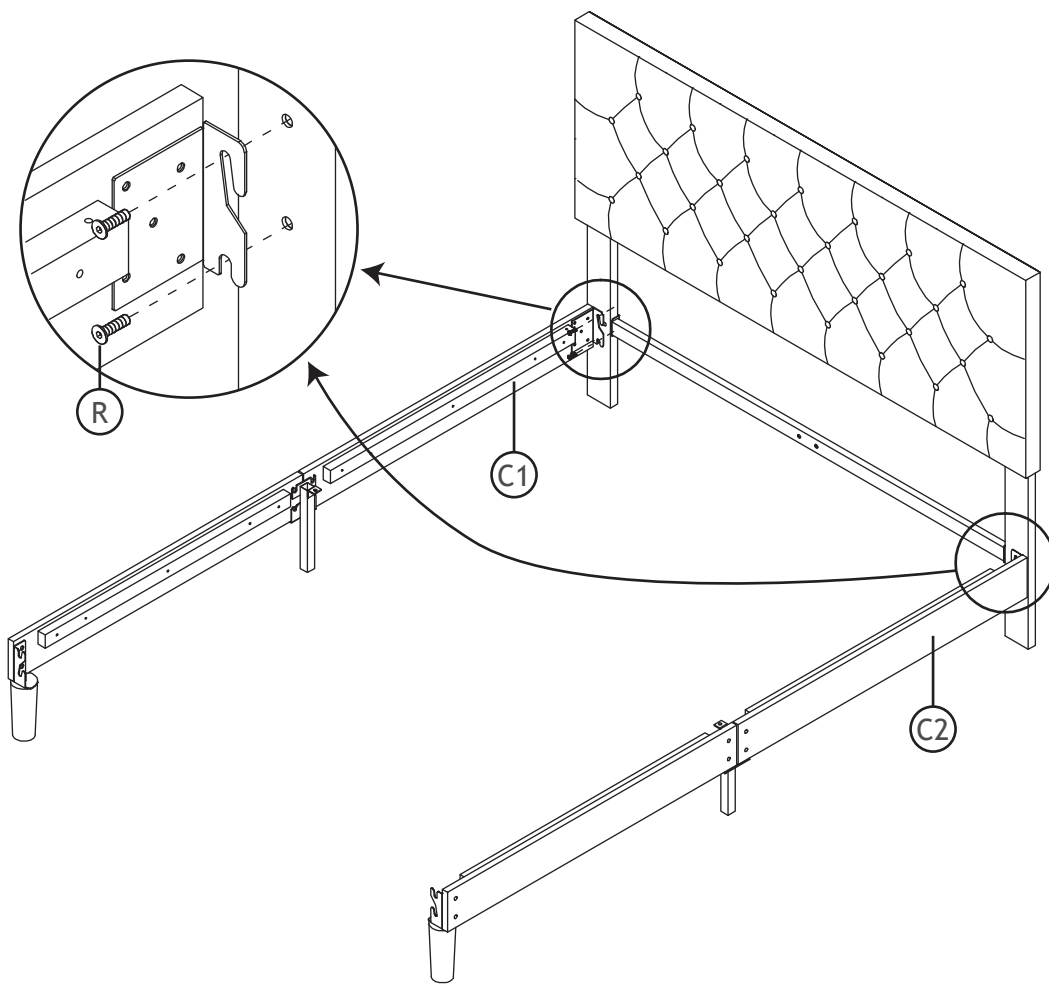
Please do not mix up part O1D & O2D.



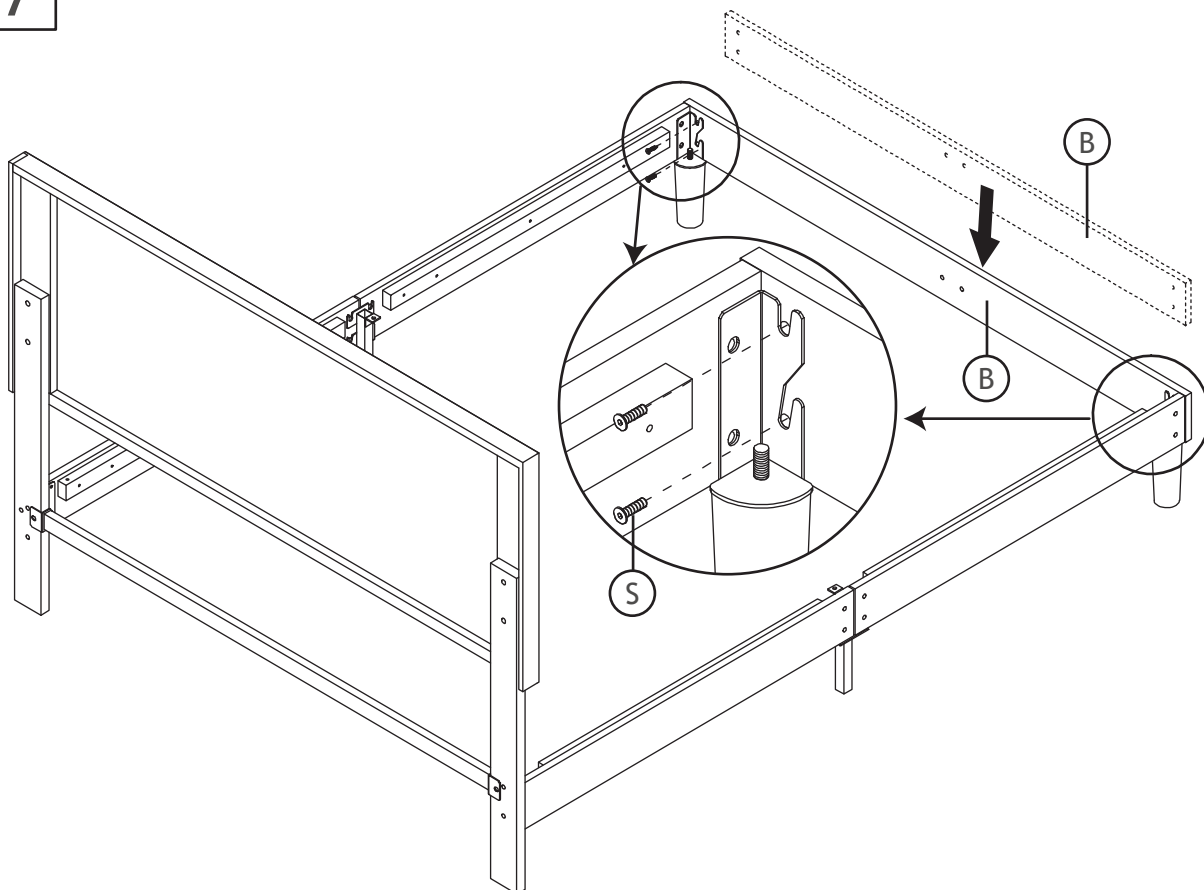
5



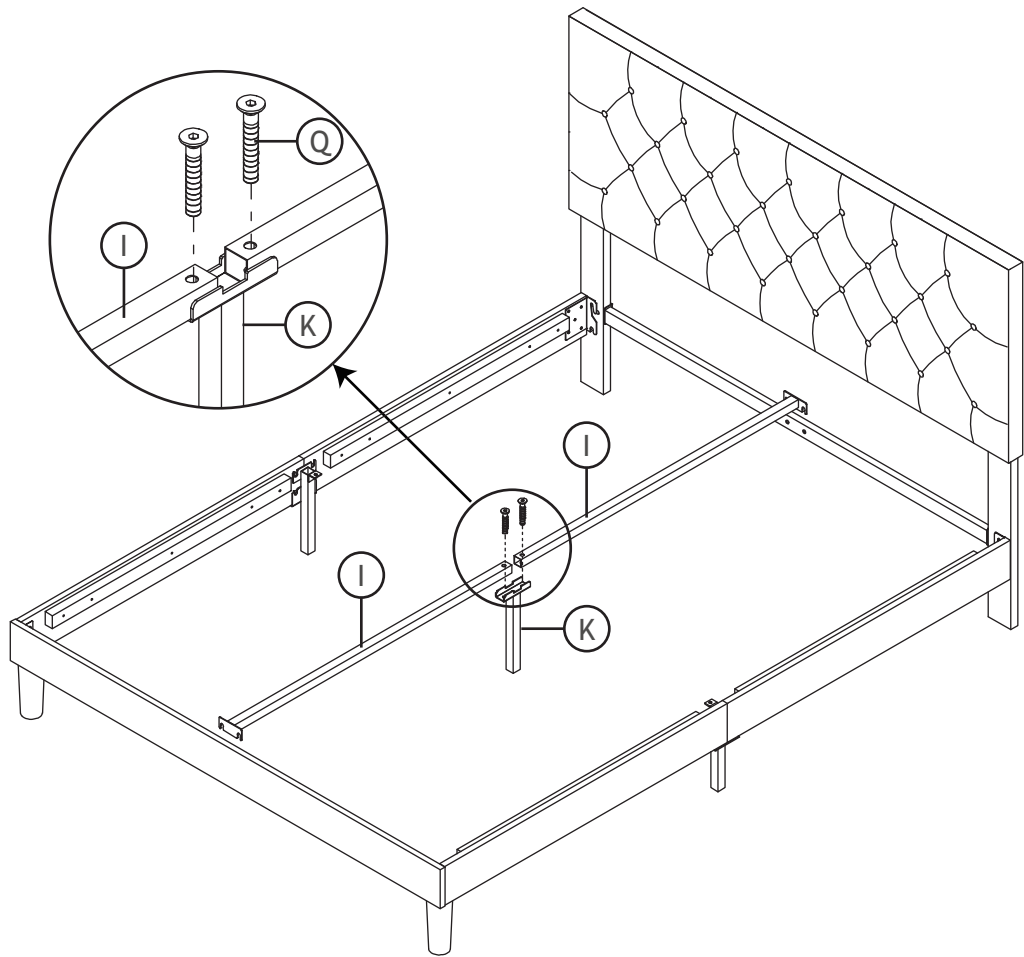
6



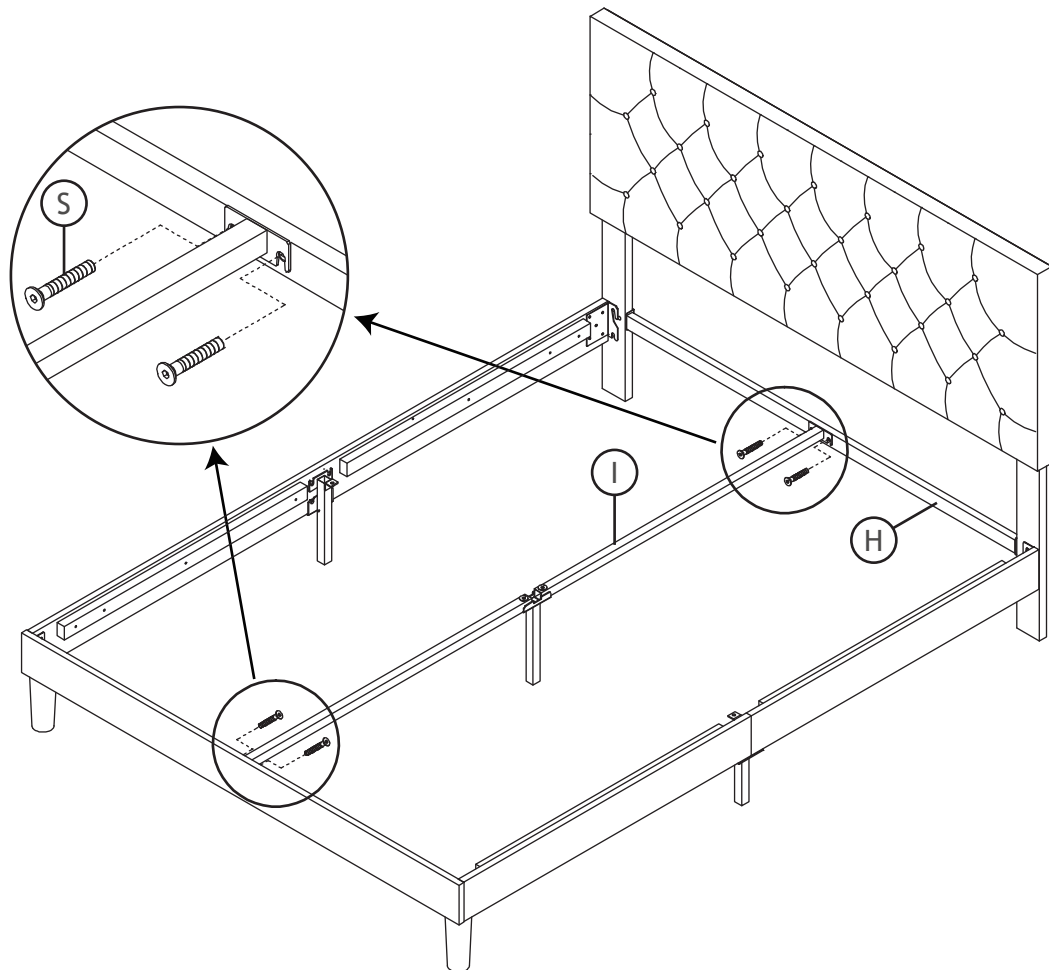
7



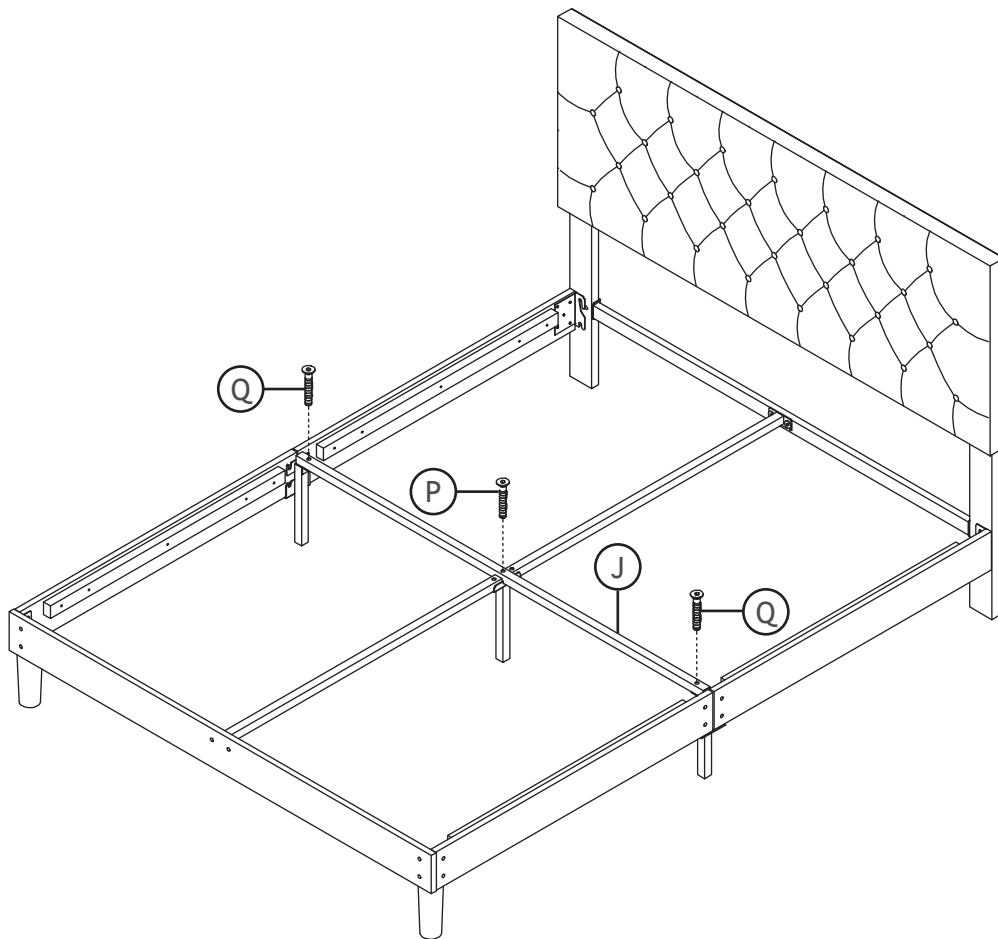
8



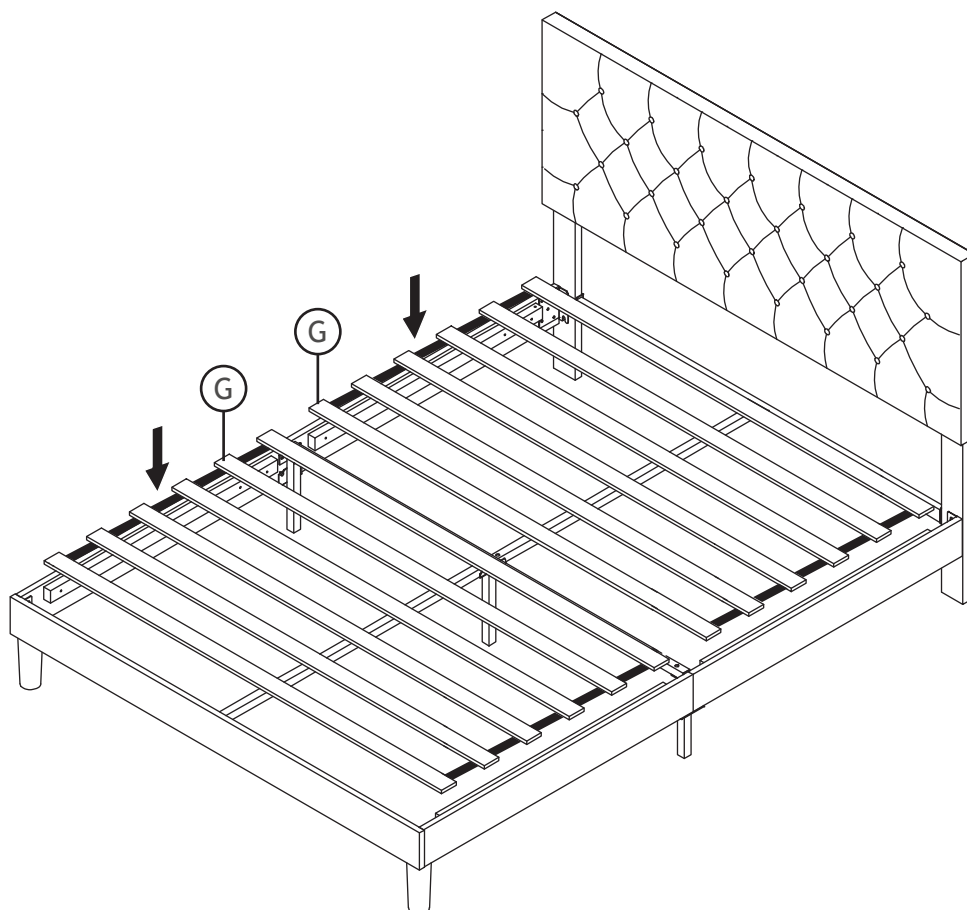
9

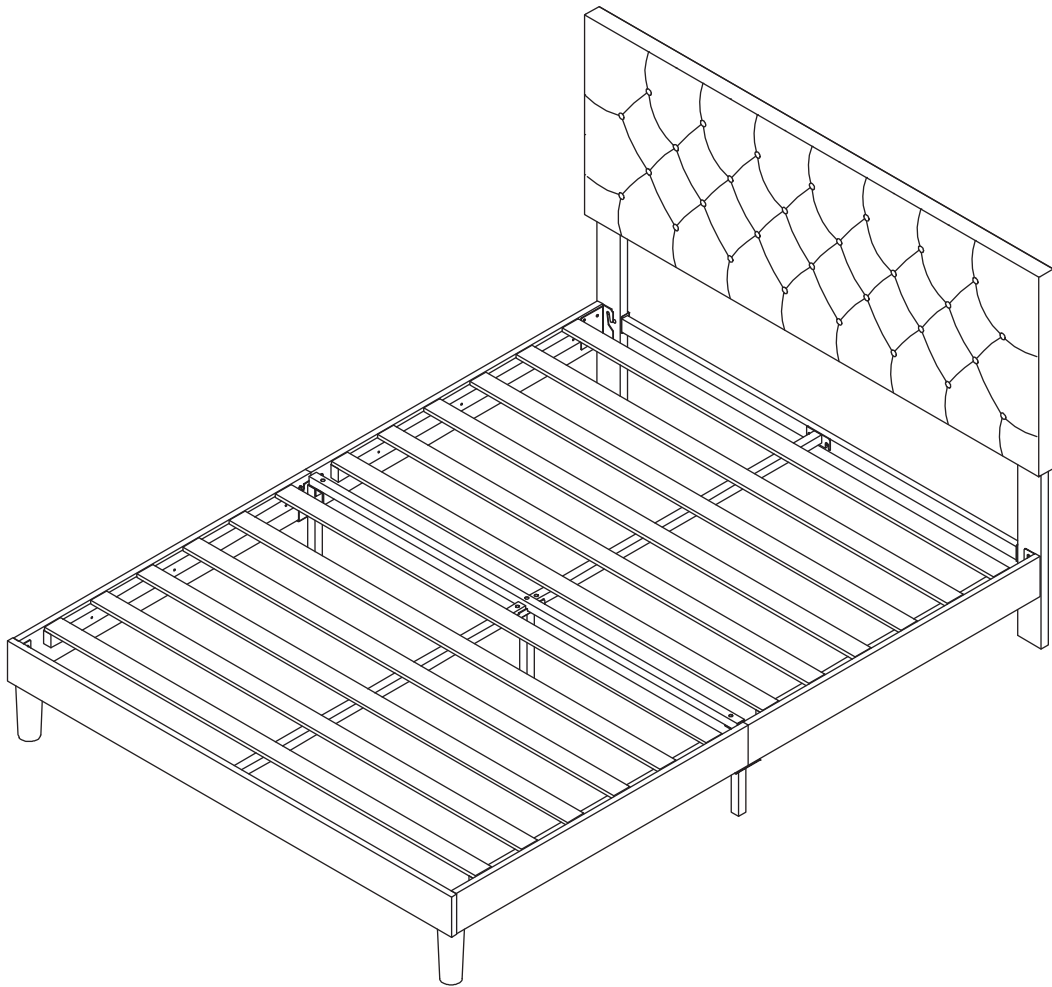


10



11





Zhangzhou movan furniture Manufacturing co., ltd
No. 513 zhongxing road, zhaoan Industrial park, zhaoan county, Zhangzhou city, fujian, china
Made in china