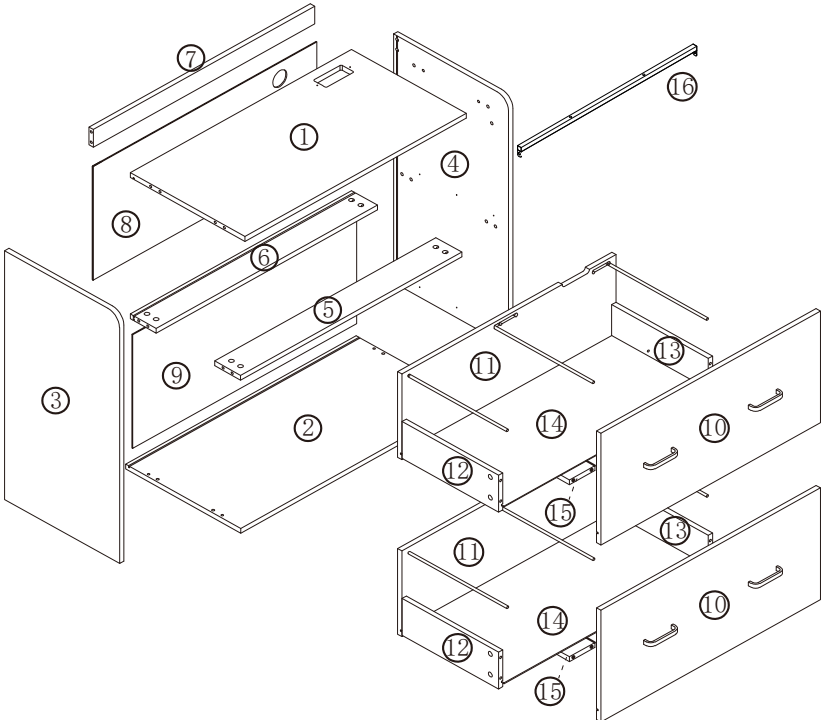
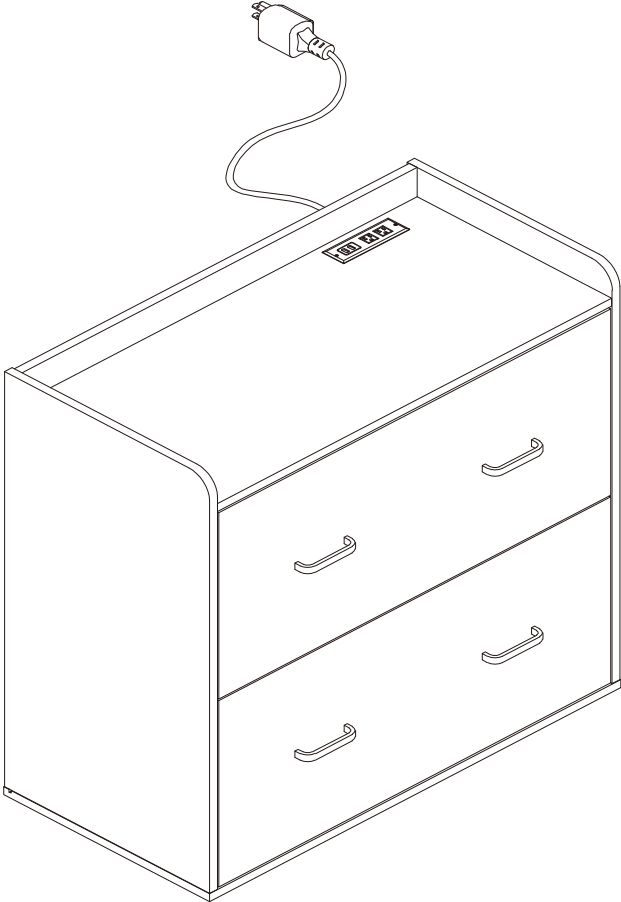
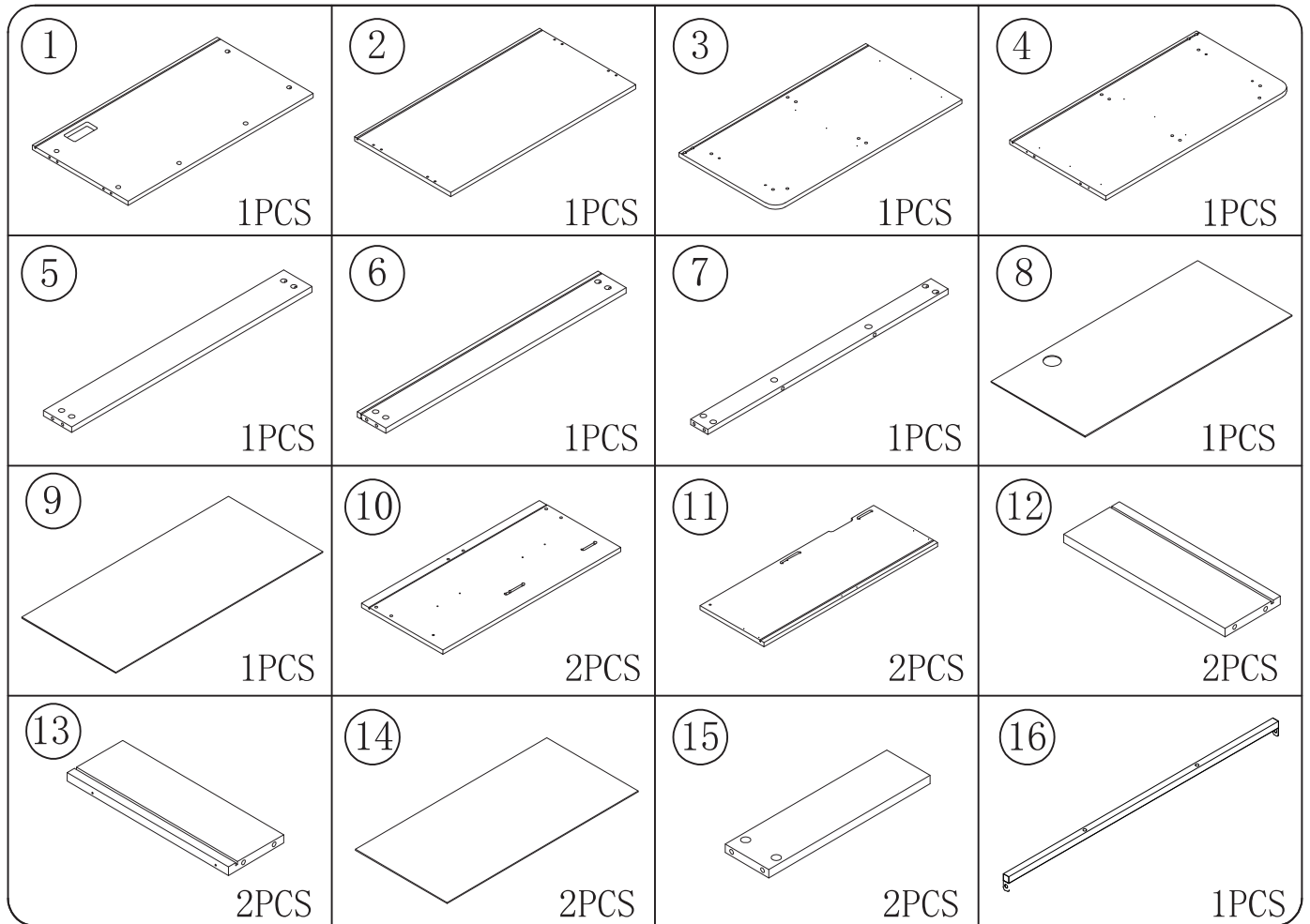


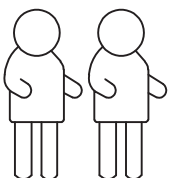
IMPORTANT, RETAIN FOR FUTURE REFERENCE: READ CAREFULLY



# Installation Instructions



NO.	PICTURE	SIZE	QTY	NO.	PICTURE	SIZE	QTY
A		ST6X48	4	K		350MM	2/2
B		ST3X12	22	L		350MM	2/2
C		ST3X16	12	M			6
D		ST4X40	12	N			1
E		M6X32	30	O			30
F		Ø15	30	P			1
G		Ø8X30	8	Q			2
H			4	R		M6X10	2
I		M4X18	8	S		M6X25	2
J			12				

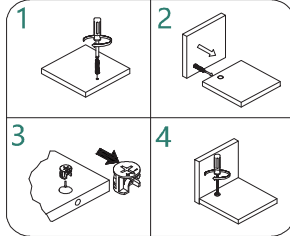
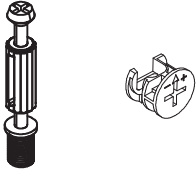


It takes at least two people to assemble the product

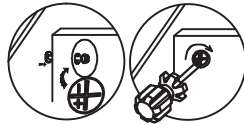
# Installation Instructions

## Cam Lock Fastening System

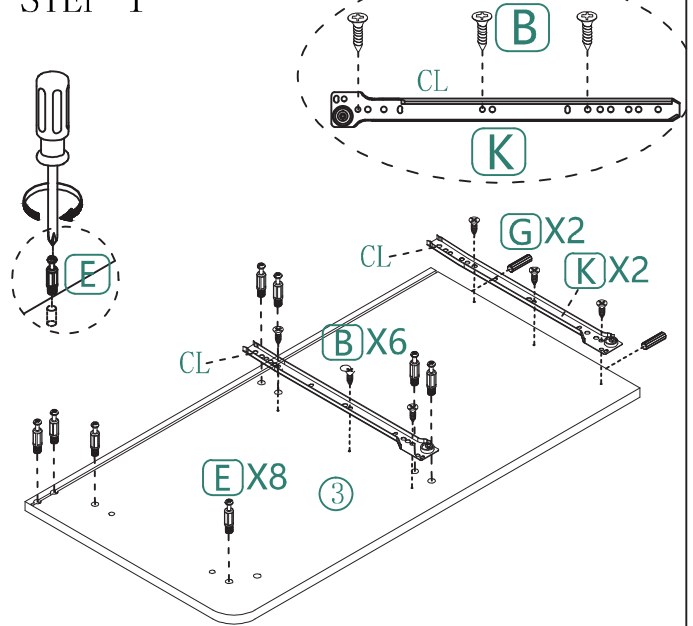
This Cam Lock Fastening System will be used throughout the assembly process



Another Viewpoint



## STEP 1



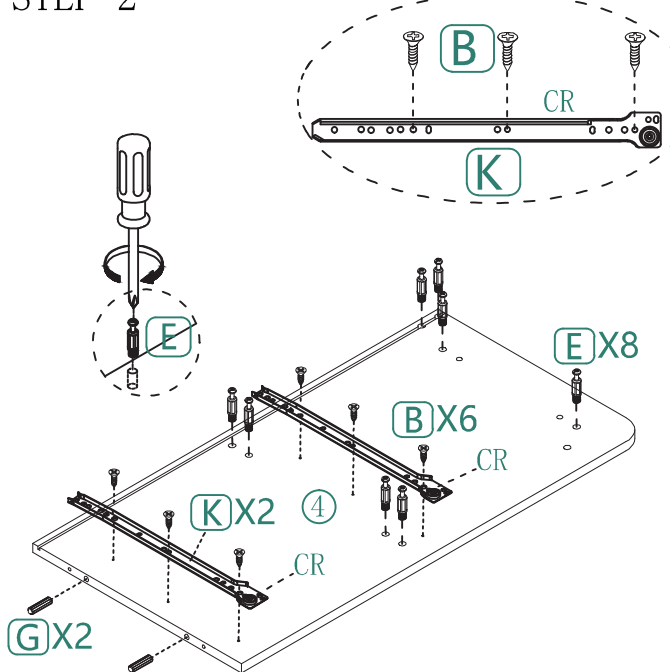
**B** = 6X

**E** = 8X

**G** = 2X

**K** = 2X CL

## STEP 2



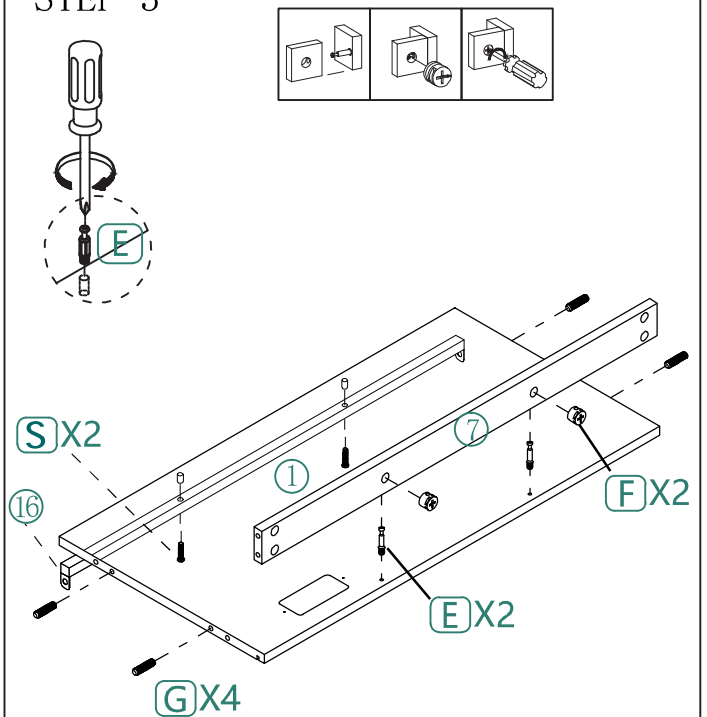
**B** = 6X

**E** = 8X

**G** = 2X

**K** = 2X CR

## STEP 3



**S** = 2X

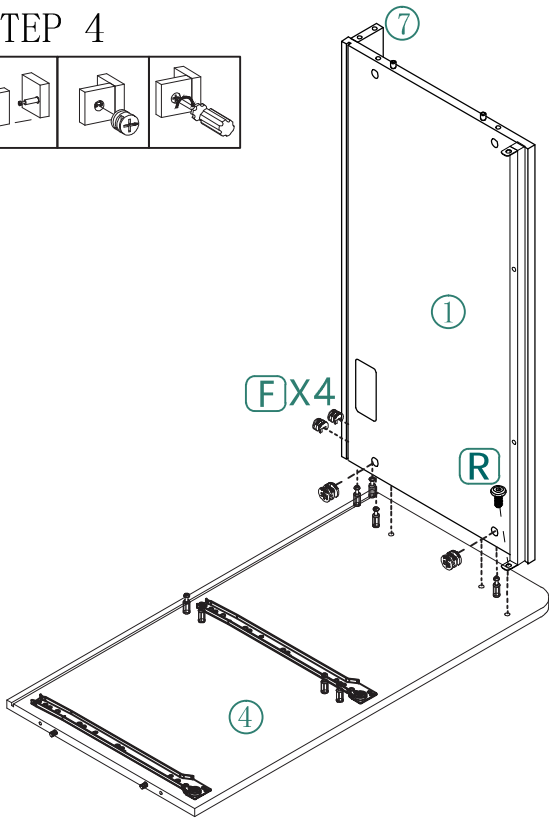
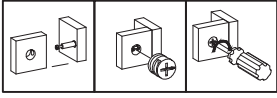
**E** = 2X

**G** = 4X

**F** = 2X

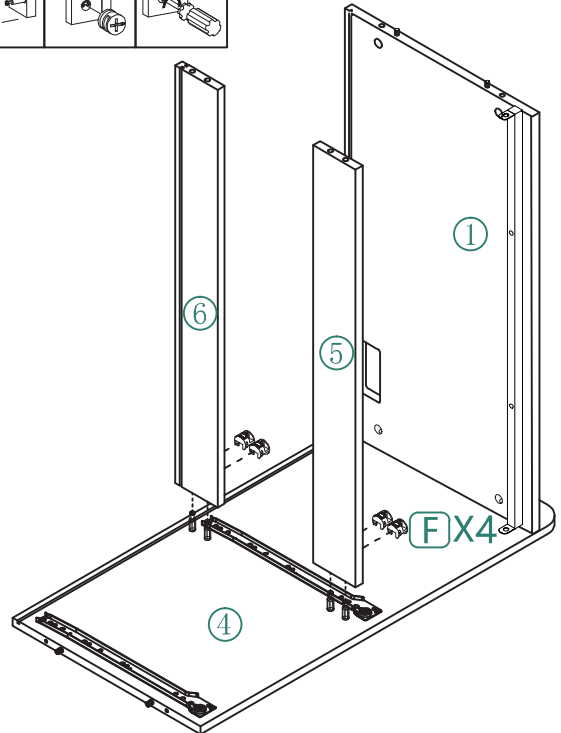
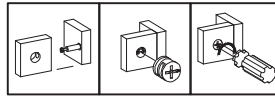
# Installation Instructions


## STEP 4



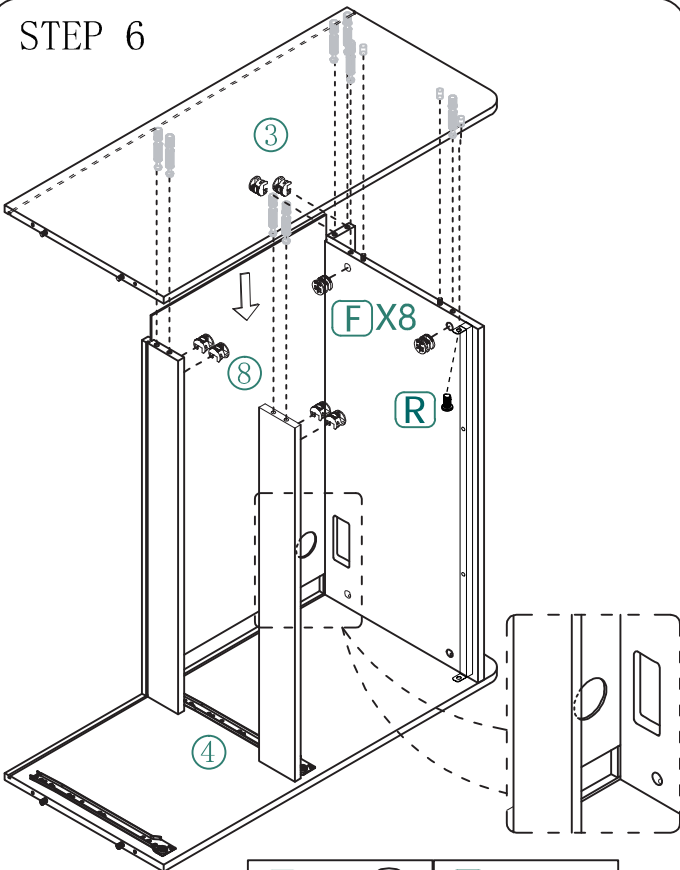
**F** = 4X  **R** = 1X 

## STEP 5



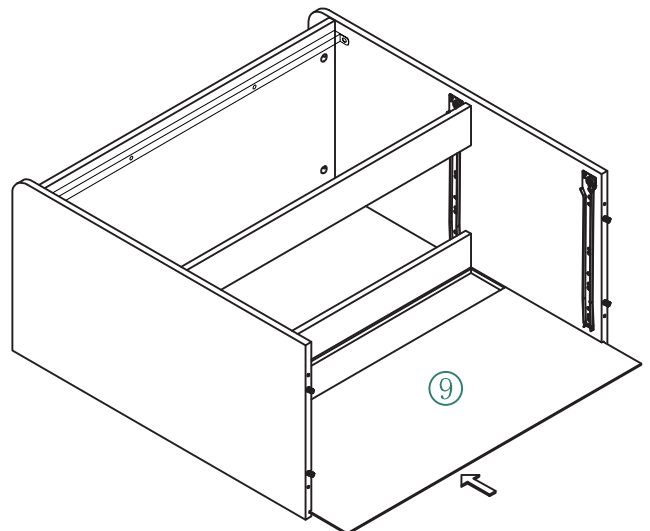
**F** = 4X 

## STEP 6



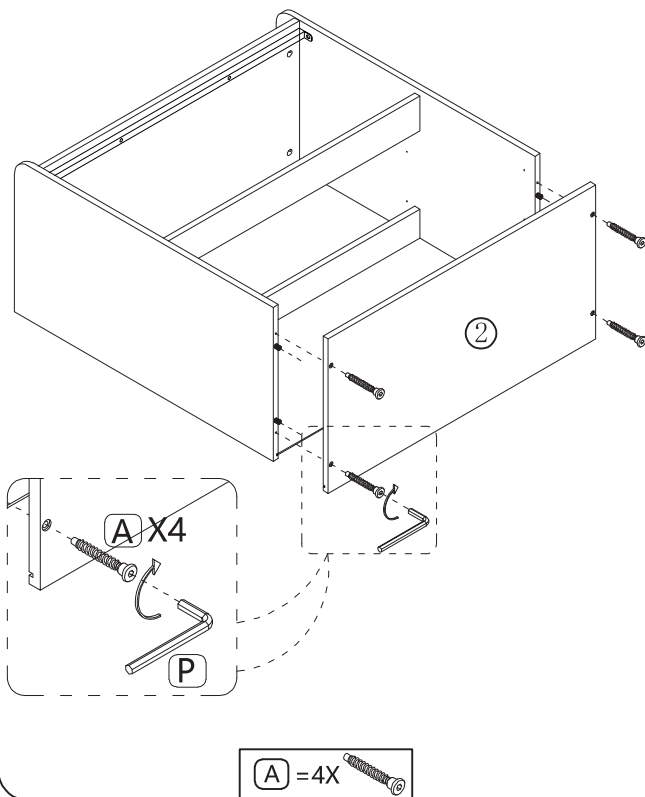
**F** = 8X  **R** = 1X 

## STEP 7

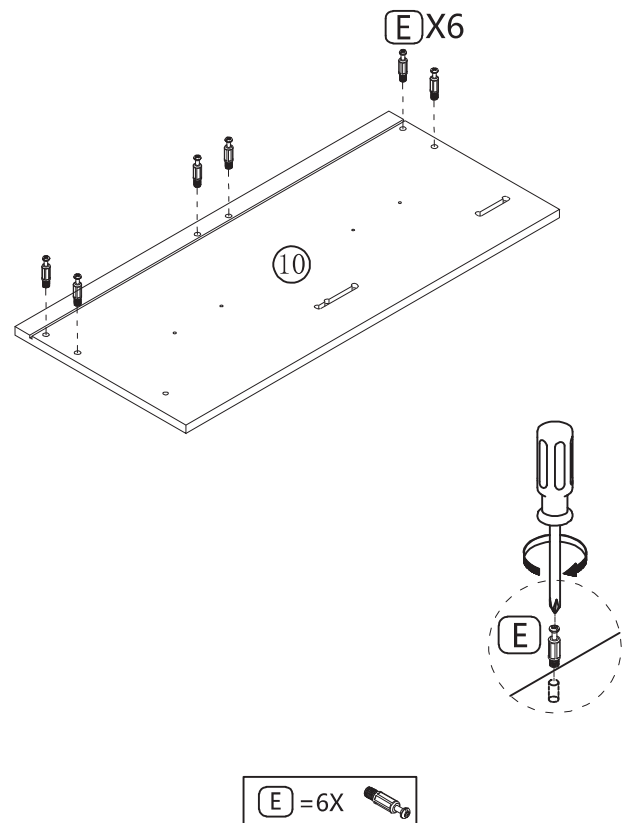


# Installation Instructions

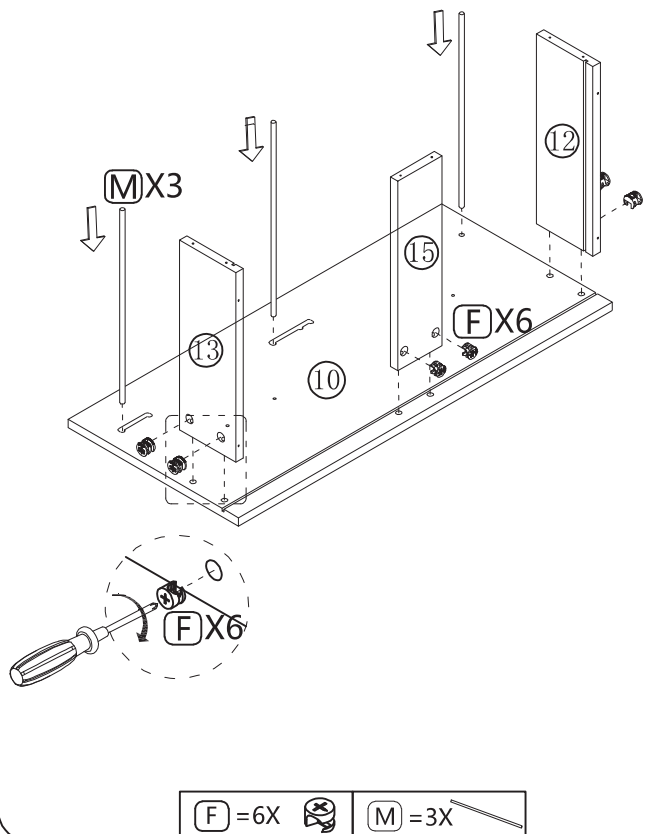
STEP 8



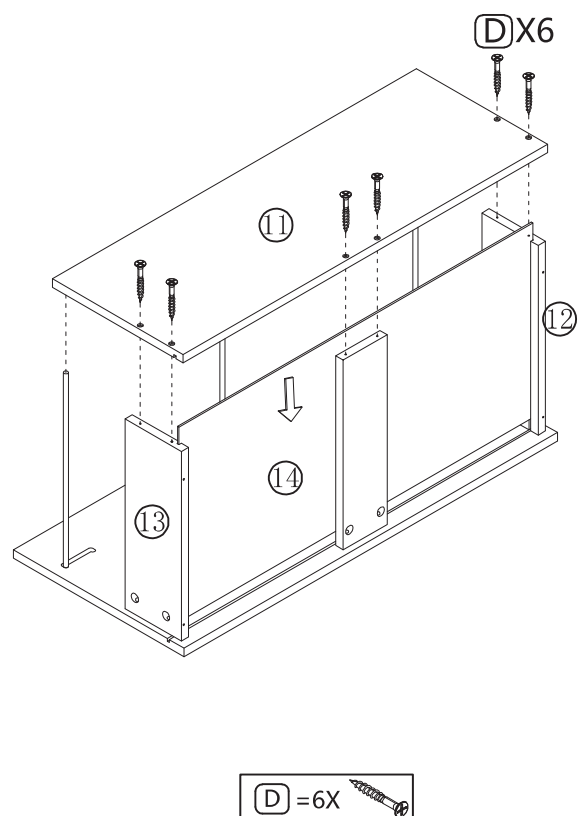
STEP 9



STEP 10

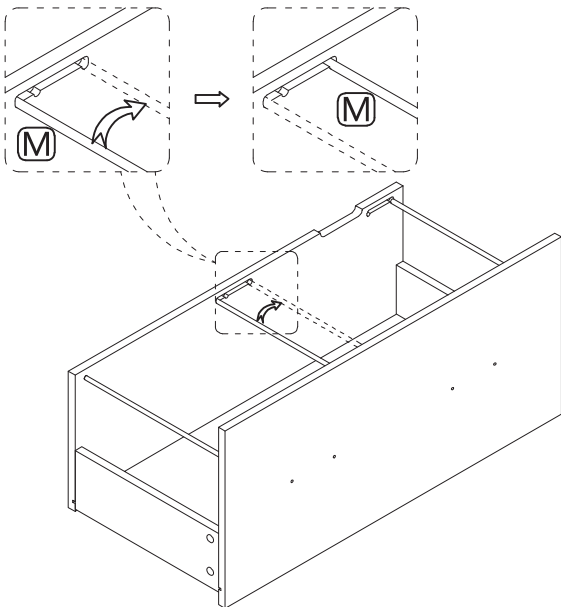


STEP 11

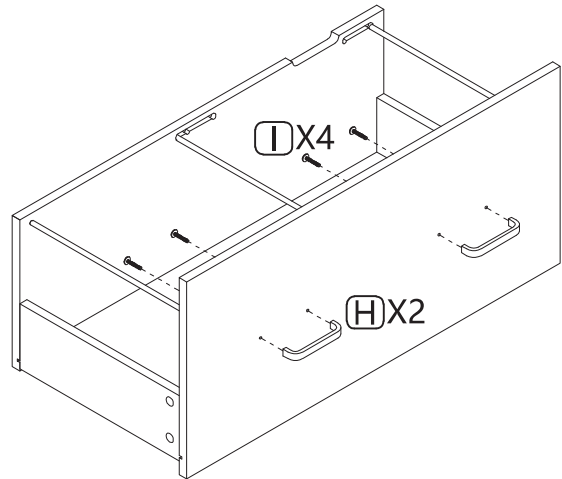


# Installation Instructions

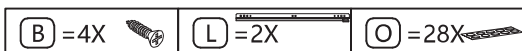
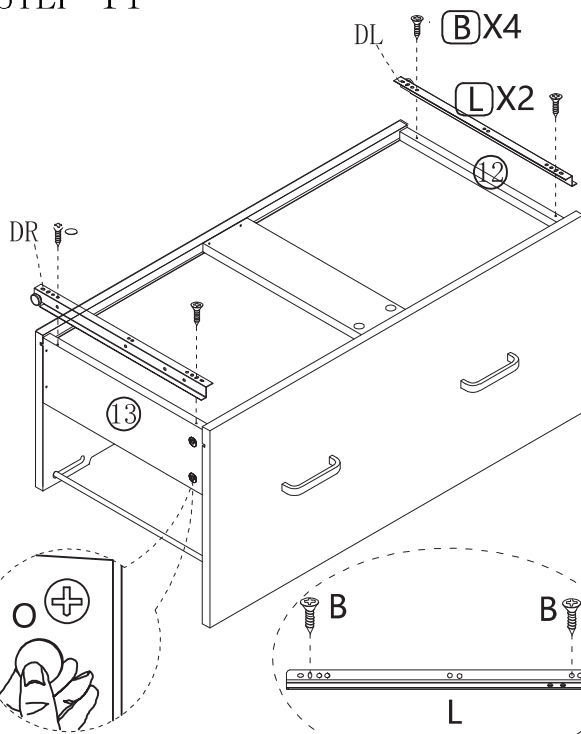
STEP 12



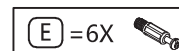
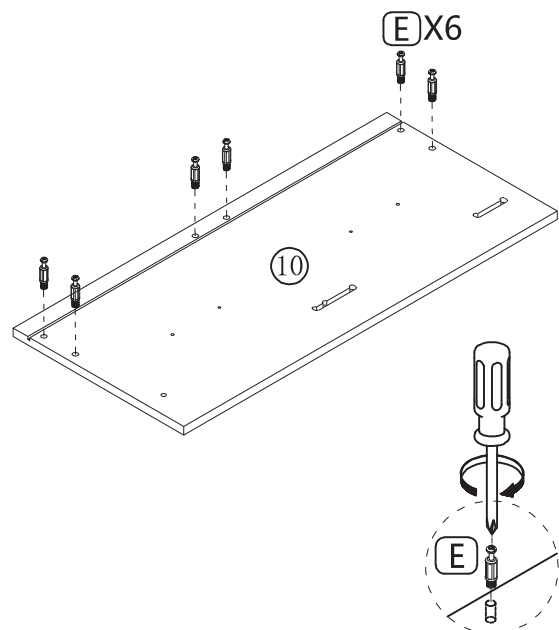
STEP 13



STEP 14

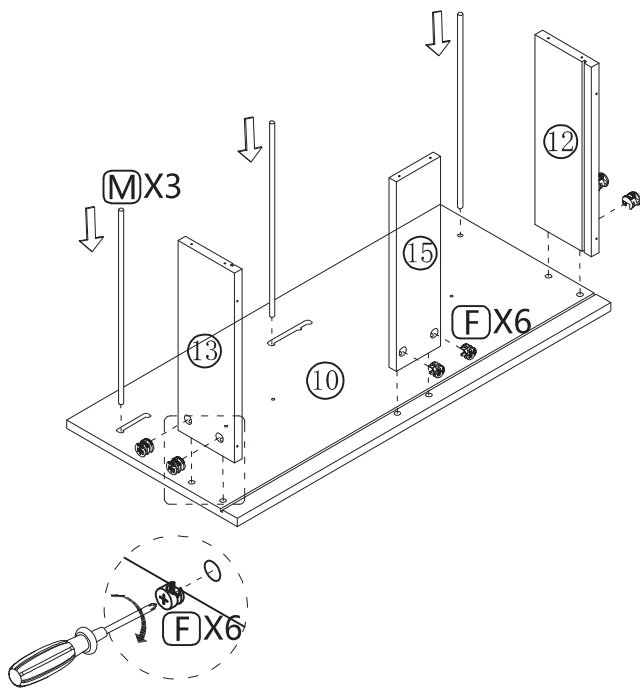


STEP 15



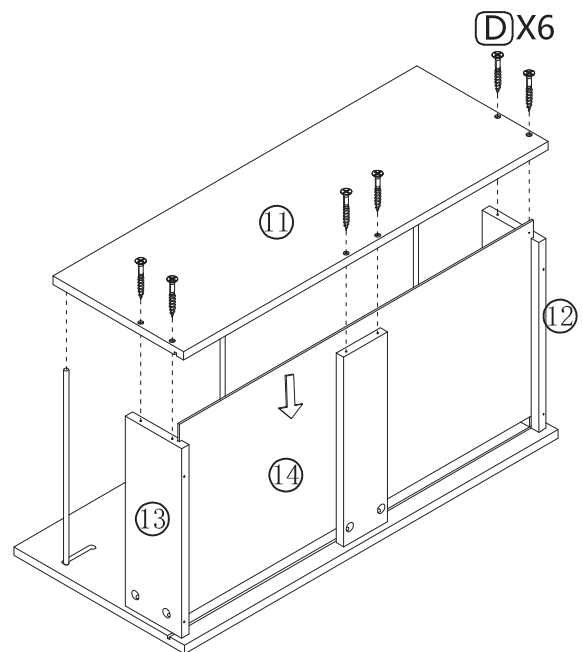
# Installation Instructions


STEP 16



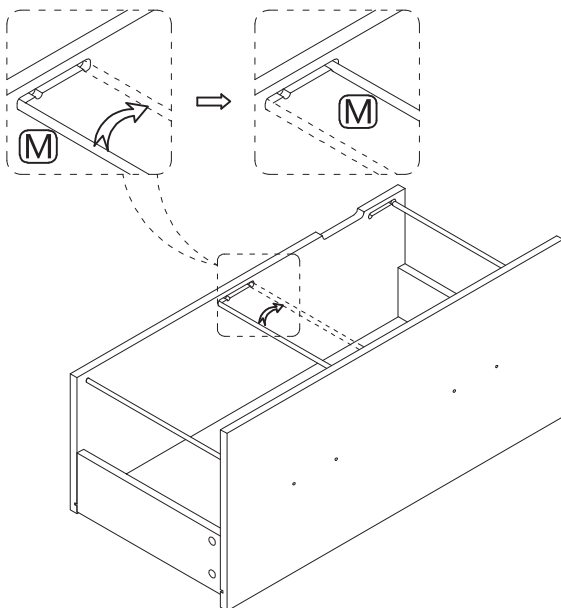
F = 6X  M = 3X 

STEP 17

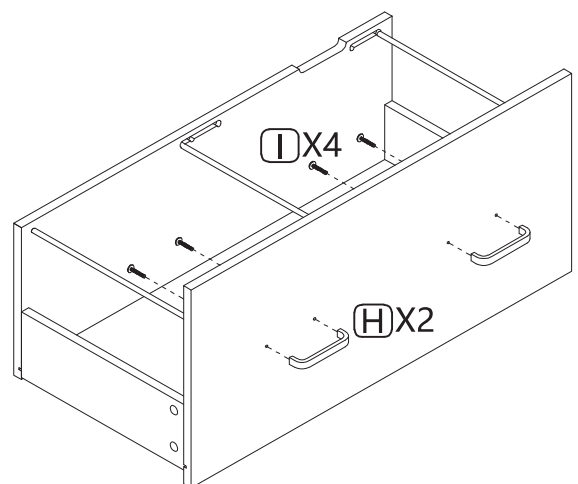


D = 6X 

STEP 18



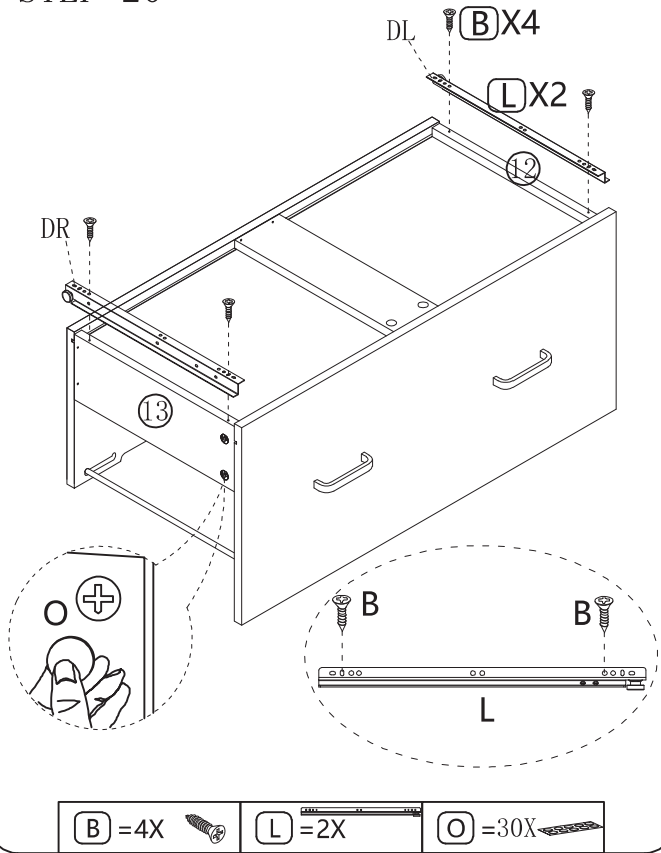
STEP 19



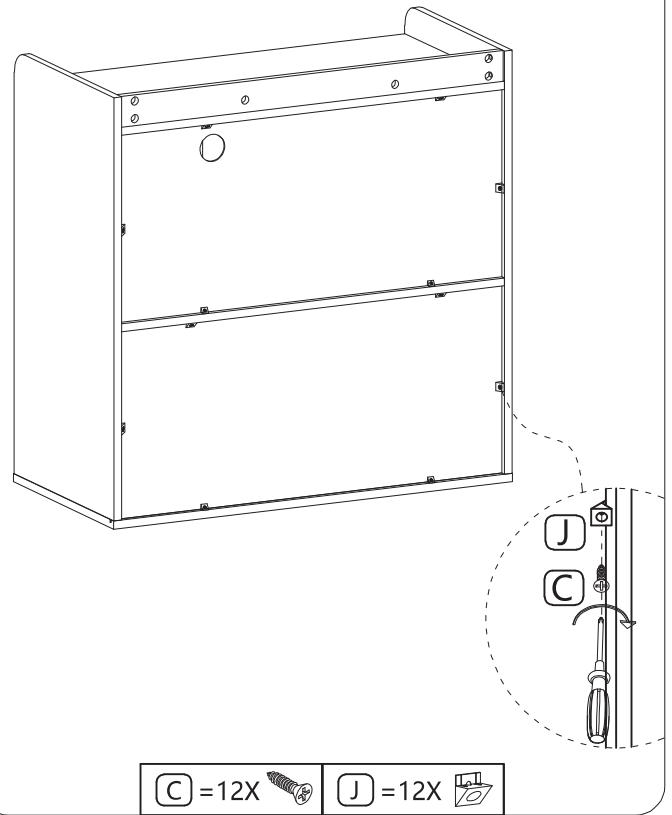
H = 2X  I = 4X 

# Installation Instructions

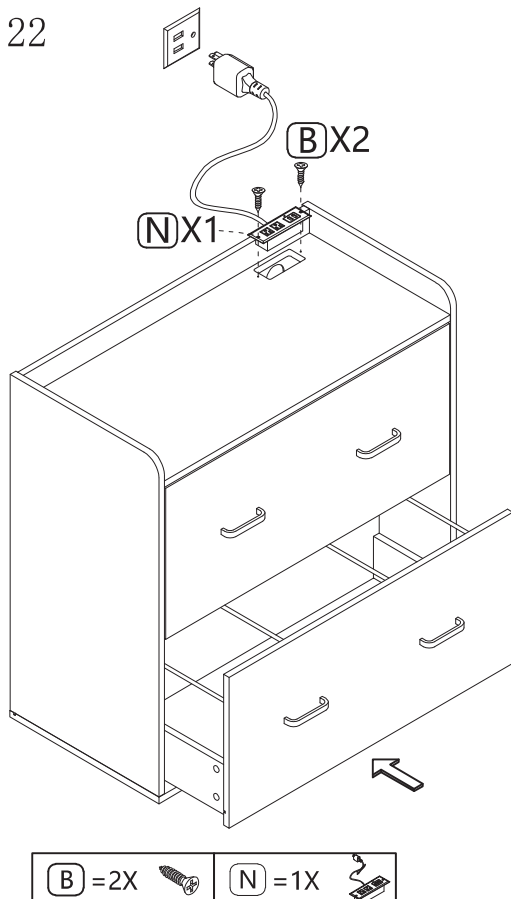
## STEP 20



## STEP 21



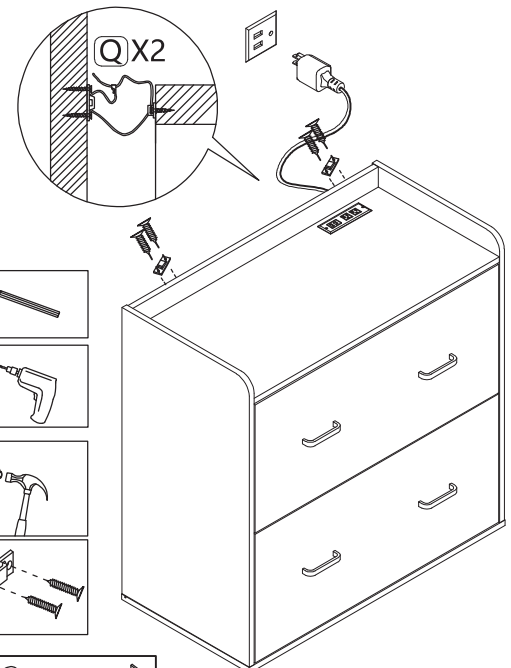
## STEP 22



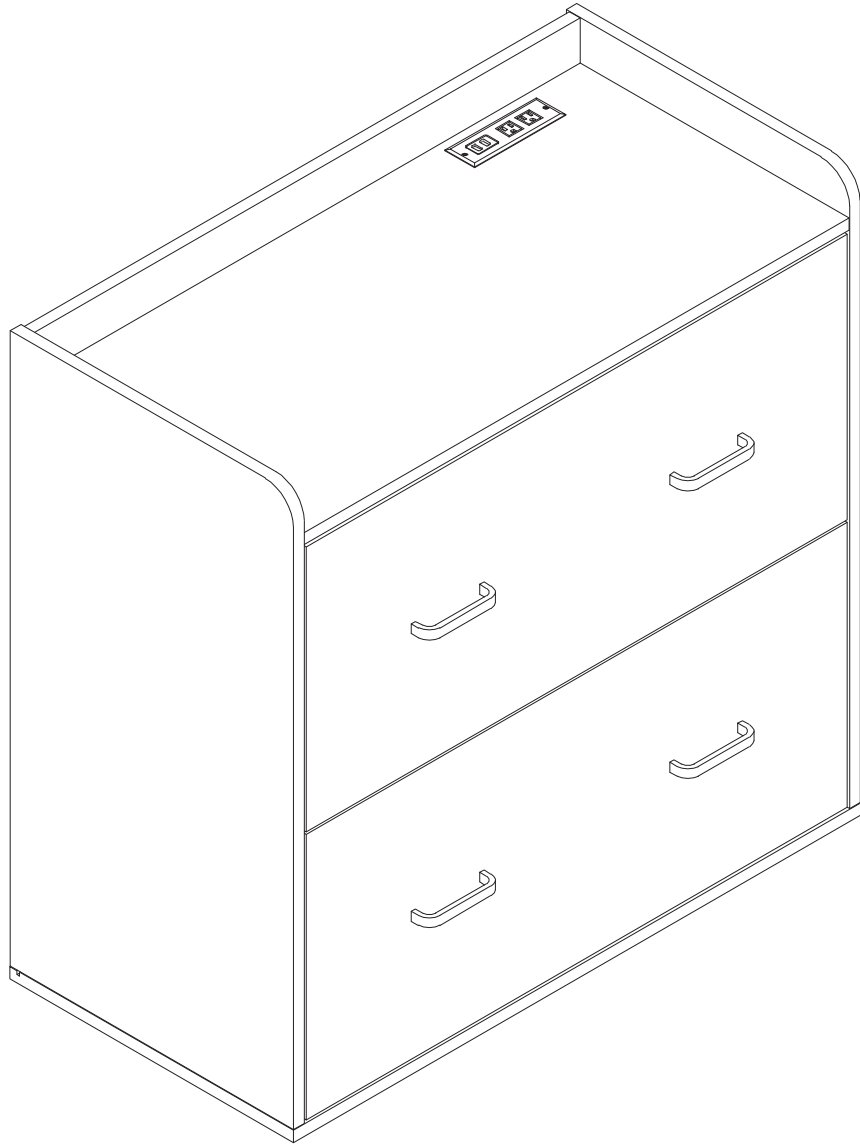
## STEP 23



Attention: For safety and stability, we suggest you have to secure the anti-tip accessories to the wall to prevent tipping, injury, and property damage.



# Installation Instructions



**Installation Completed**