

E26

**WARNING!**



Be sure electrical power is OFF before and during installation or maintenance. The luminaire must be installed by a qualified electrician, in accordance with all applicable local codes.

Ensure that the rated luminaire voltage requirements are compatible with the available mains supply in which it will be installed. All LEDs are included in your lamp. Never touch the LED surface with your bare hands as this may reduce the life of your LED. Do not alter, relocate or remove any electrical component.

Ø8mm /  
Ø5/16"

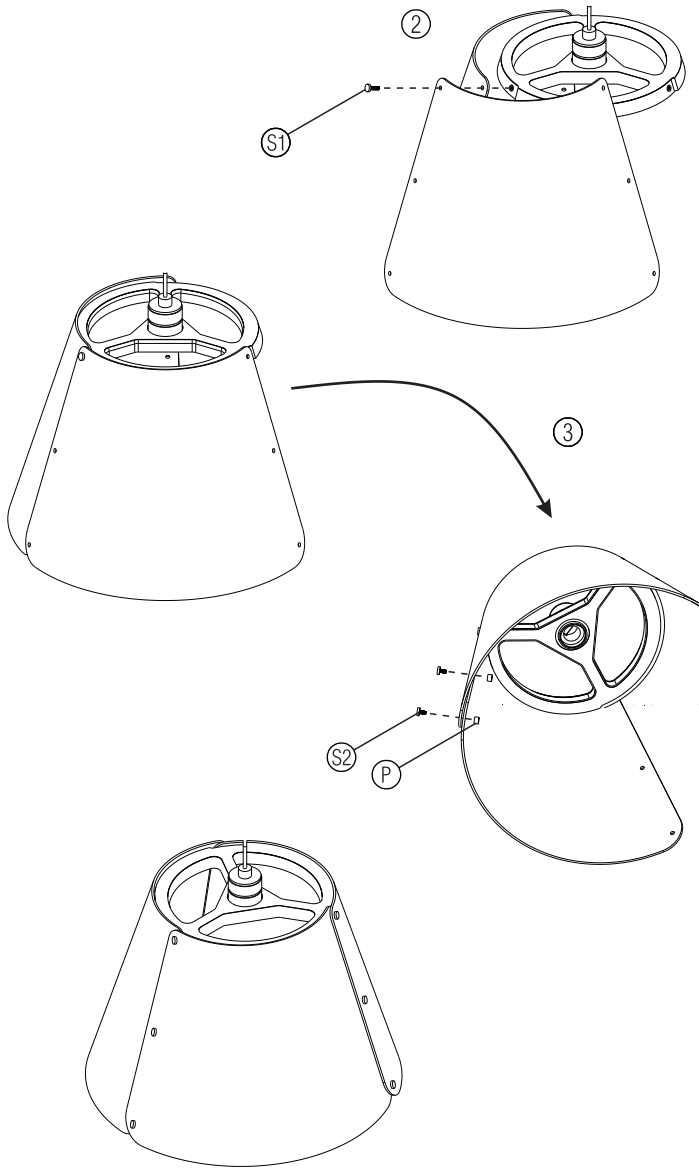
Line: Element  
Family: Pendente  
Description: Pendente Accord Element

Input voltage: 120 - 240V  
Input frequency: 60Hz

Material: Natural Wood Vener and MDF.

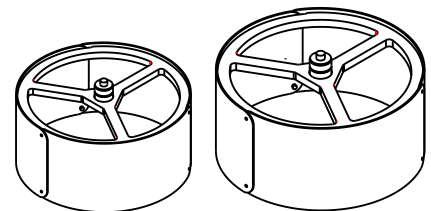
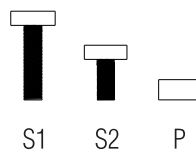
Read carefully all the assembling instructions below and turn OFF energy power before starting the installation.

Turn off the electrical power before starting the installation, and keep it turned off until the installation is completed.



- ① Remove the protective packaging, taking care not to cut or scratch the wooden pieces.
- ② Start by positioning two panels of the fixture onto the base so that they overlap and their top holes align with the hole in the base. Using the brass screws (S1- 3pcs), securely fasten the panels to the base as illustrated in the diagram. Once the first two panels are attached, position third panel following the same procedure.
- ③ Next, use the brass screws (S2-6pcs) together with the brass finishing nuts (P) to secure the panels through the lower holes.

PROVIDED SCREWS



**ATTENTION!**



FAILURE TO COMPLY WITH THESE INSTRUCTIONS MAY CAUSE ACCIDENTS AND LOSS OF PRODUCT WARRANTY. Its recommended to read these instructions completely and carefully before proceeding.

SAVE THESE INSTRUCTIONS FOR FUTURE REFERENCE.

ACCORD Lighting guarantees coverage against manufacturing defects including electrical components and finishes, for a period of three years, under normal use, from the date of purchase. For warranty service, please contact your local dealer for further instructions. Proof of date of purchase will be required for validation of warranty service.

The responsibility of the manufacturer regarding the product warranty is related to the correct observation of the instructions contained in this manual. The manufacturer is not responsible for any damage to the product caused by accidents, alterations of any kind, improper usage or improper installation. See the website for additional warranty details.

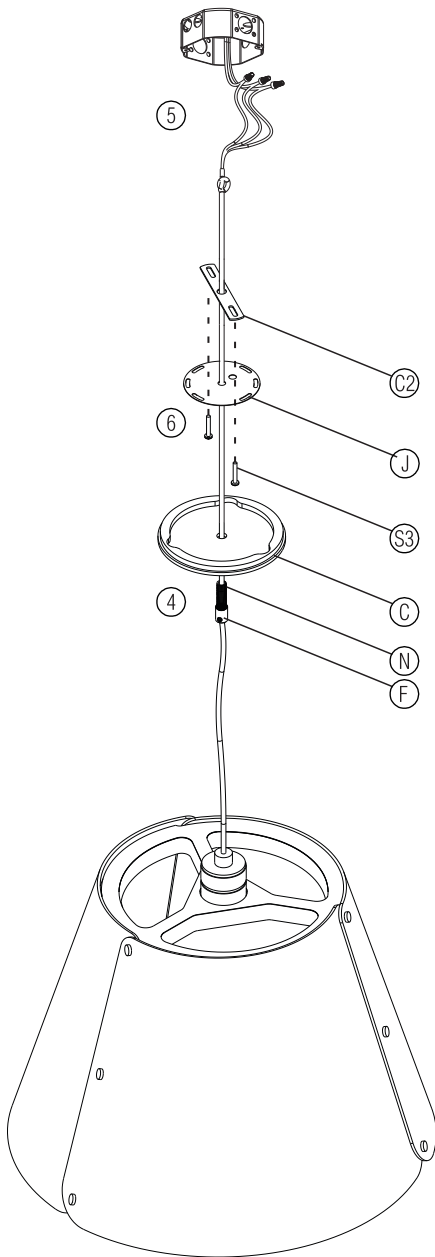
ACCORD Lighting reserves the right to change the dimensions and specifications contained in this manual without prior notice, in accordance with its policy of continuous product improvement. Please, contact the manufacturer if additional information is necessary. The illustrations in this manual are for guidance only and may vary in scale, dimensions and model details.

**WARNING!**



Be sure electrical power is OFF before and during installation or maintenance. The luminaire must be installed by a qualified electrician, in accordance with all applicable local codes.

Ensure that the rated luminaire voltage requirements are compatible with the available mains supply in which it will be installed. All LEDs are included in your lamp. Never touch the LED surface with your bare hands as this may reduce the life of your LED. Do not alter, relocate or remove any electrical component.



Ø8mm /  
Ø5/16"

Line: Element  
Family: Pendente  
Description: Pendente Accord Element

Input voltage: 120 - 240V  
Input frequency: 60Hz

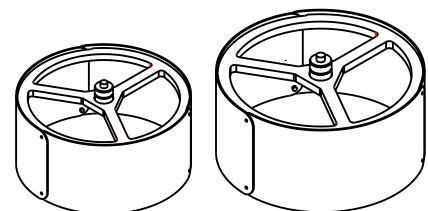
Material: Natural Wood Venner and MDF.

- ④ Guide the power cable through the strain relief (F), the nipple (N), and the opening in the canopy (C1), then through the junction box cover (J) and the crossbar (C2). Adjust the length of the cable so that it matches the desired height for installing the light fixture.
- ⑤ Make the electrical connections in compliance with all the safety standards and local electrical codes. This product must be installed in accordance with the applicable installation code by a person familiar with the construction and operation of the product, and the hazards involved.
- ⑥ Screw the crossbar (C2) and junction box cover (J) in the junction box using the provided screws (S1).
- ⑦ Attach the nipple to the mounting bar through the central hole of the canopy (C1). Bring the canopy and the cable gland close to the junction box, and tighten the cable gland onto the nipple, firmly securing the canopy to the ceiling. Once the connection is secure, tighten the screw on the cable gland to anchor the power cable.
- ⑧ Install E26 led bulbs with a maximum power of 25W in the available sockets.

Turn on the electrical power.

The luminaire is ready for use.

PROVIDED SCREWS



**ATTENTION!**



FAILURE TO COMPLY WITH THESE INSTRUCTIONS MAY CAUSE ACCIDENTS AND LOSS OF PRODUCT WARRANTY. Its recommended to read these instructions completely and carefully before proceeding.

SAVE THESE INSTRUCTIONS FOR FUTURE REFERENCE.

ACCORD Lighting guarantees coverage against manufacturing defects including electrical components and finishes, for a period of three years, under normal use, from the date of purchase. For warranty service, please contact your local dealer for further instructions. Proof of date of purchase will be required for validation of warranty service.

The responsibility of the manufacturer regarding the product warranty is related to the correct observation of the instructions contained in this manual. The manufacturer is not responsible for any damage to the product caused by accidents, alterations of any kind, improper usage or improper installation. See the website for additional warranty details.

ACCORD Lighting reserves the right to change the dimensions and specifications contained in this manual without prior notice, in accordance with its policy of continuous product improvement. Please, contact the manufacturer if additional information is necessary. The illustrations in this manual are for guidance only and may vary in scale, dimensions and model details.