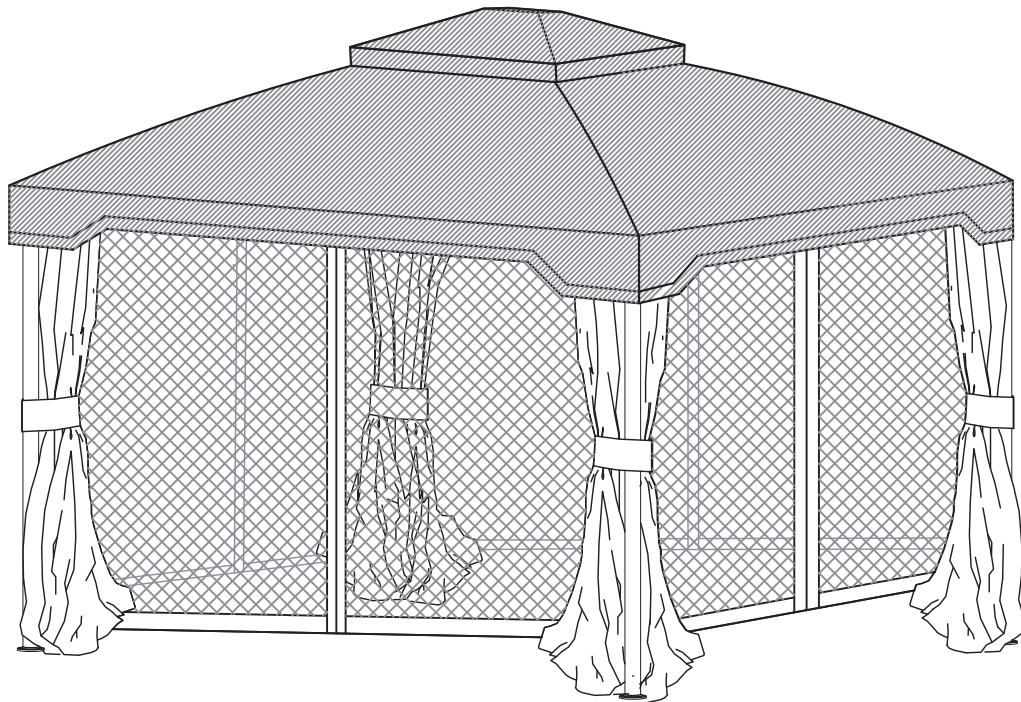


# Assembly Instructions








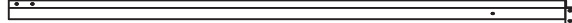
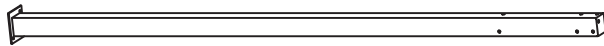





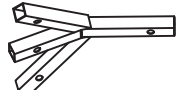
Caution: You must read this before you proceed

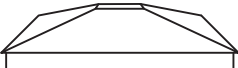
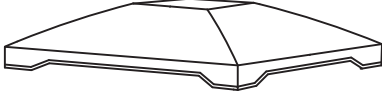
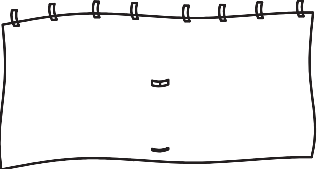
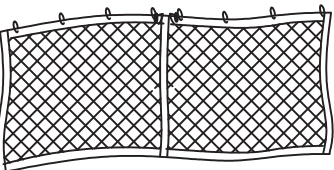
Read all instructions before assembling and using this product

1. Select ideal location. Set out all parts on a clear and level surface prior to assembly. Ideally, the Gazebo should be set up in the desired location to avoid moving it after assembly.
2. Team Work. We recommend 4-5 adults and it may require 2 to 3 hours to fully assemble the Gazebo. If possible, please use safety ladders.
3. Use caution. During the entire assembly process, especially when lifting heavy or large parts or using ladders, pay attention to safety. No one other than the assistants should be allowed in the work area.
4. Check all available parts. Before assembling your Gazebo Frame, make sure that you have all the parts described in the Parts List.
5. Ensure that ALL BOLTS are fully and securely bolted in before you proceed to attach the Canopies.
6. Keep children away. Children shouldn't be allowed in the work area. Do not let them handle parts and tools. Do not allow children to climb the Gazebo.
7. It is recommended that the curtain and mosquito netting be removed during strong windy conditions.



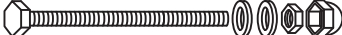

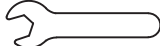




## Parts List

Label	Picture	Description	QTY
A		Long jacking tube	4
A1		Short jacking tube	4
B1		Long jacking connector	4
C		Jacking bracket	1
D1		Left short beam	2
D2		Right short beam	2
D3		Left long beam	2
D4		Right long beam	2
E		Post	4
F1		Upper beam connector	4
F2		Lower beam connector	4
G		Short mosquito net tube	8
G1		Long mosquito net tube	8
H		Connecting flat iron	8
I		Central device	2

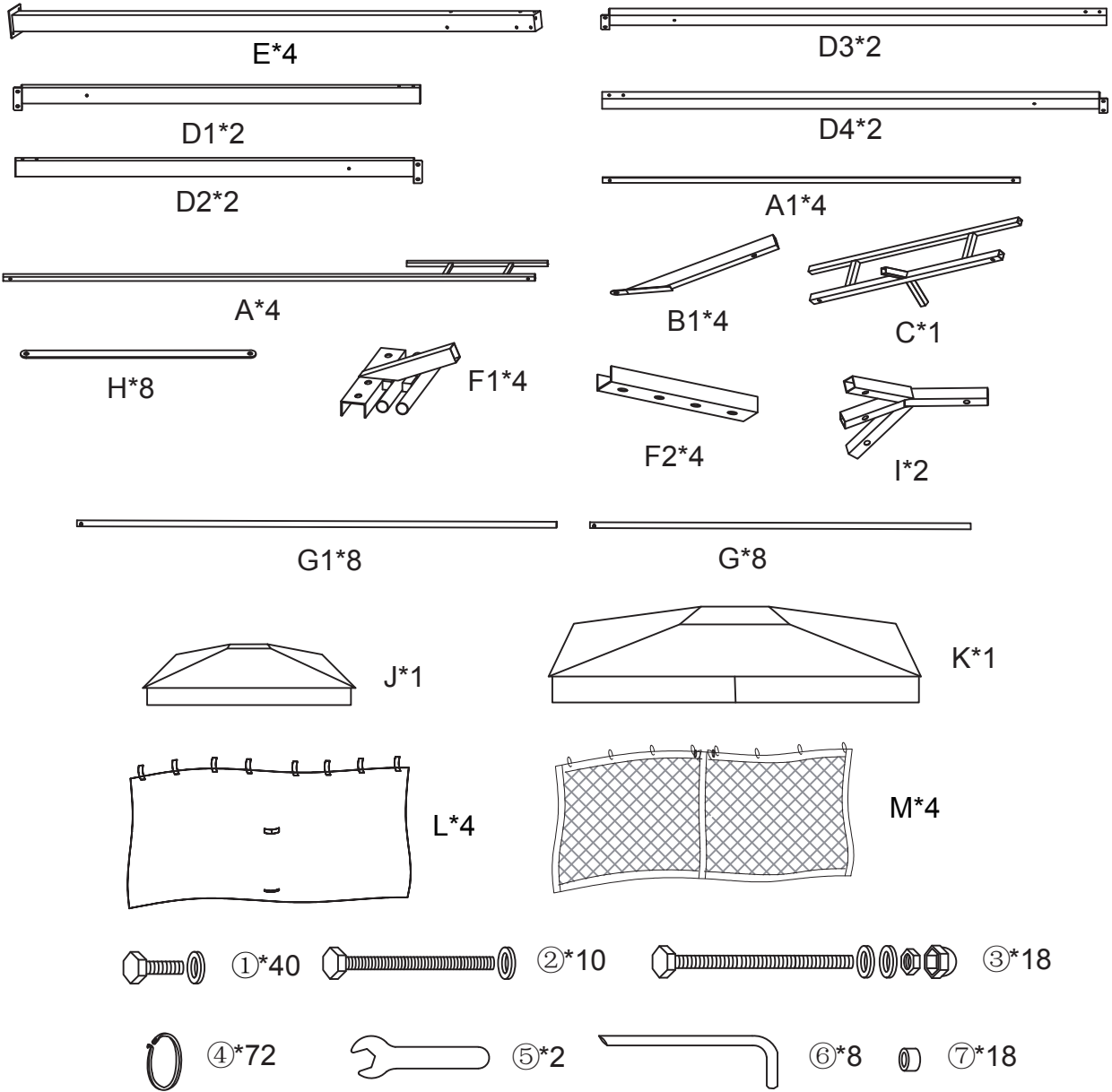
J		Small Canopy	1
K		Large Canopy	1
L		Curtain	4
M		Mosquito Net	4

## Hardware

Label	Picture	Description	QTY
①		M6*15	40
②		M6*60	10
③		M6*72	18
④		Hanging Ring	94
⑤		Wrench	2
⑥		Stake	8
⑦		Plastic gasket	18

# Assembly Preparation

## Before beginning assembly



- Read instructions, cover to cover-



- Have 4-5 adults on hand for assembly-



- Do not assemble on flooring or carpet-



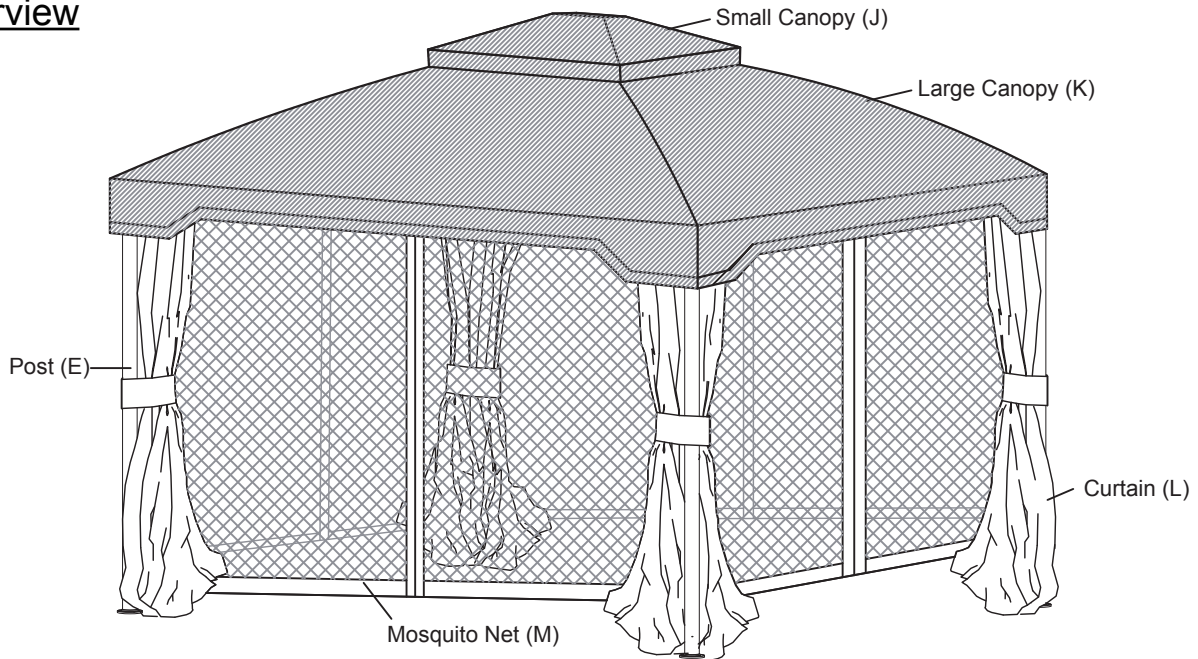
- Assemble on a clean non-marring surface (packing foam)-



- Save all packaging until finished-

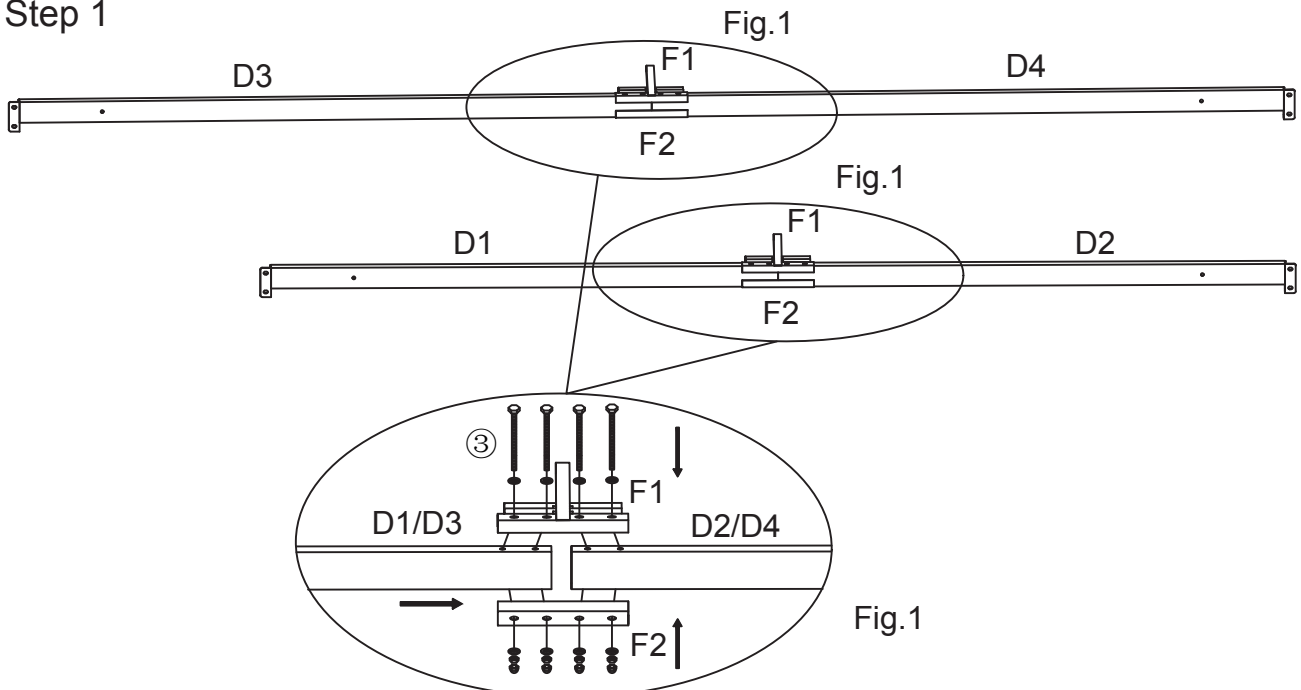
# Assembly Steps

## Overview



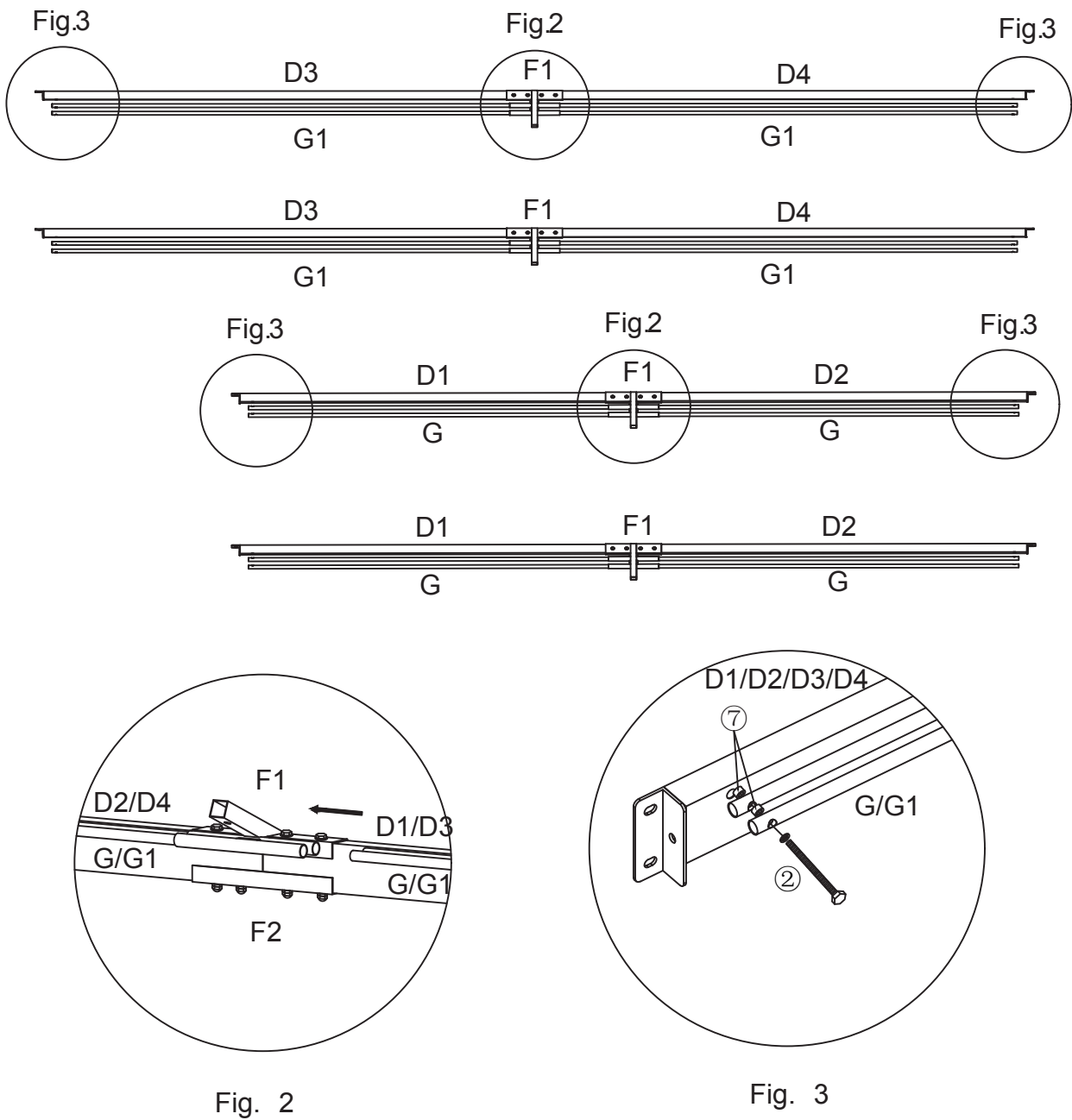
This Gazebo has multiple parts and may require up to 3 hours to assemble. To give you an overview of the Gazebo parts, the above picture is to help you put the various parts into perspective. Please read through the instructions below to familiarise yourself with the parts and steps before assembly.

## Step 1



Connect the upper beam connector (F1) and the lower beam connector (F2) to the left beam (D1/D3) and the right beam (D2/D4) with Bolts<sup>③</sup>, as shown in ( Fig. 1)

Step 2



Insert the mosquito net tube (G/G1) into the upper beam connector (F1) as shown in Fig. 2.  
 Connect the mosquito net tube (G/G1) and the beam (D1/D2/D3/D4) with the Bolt ② and Plastic Gaskets ⑦, as shown in Fig. 3.

Step 3

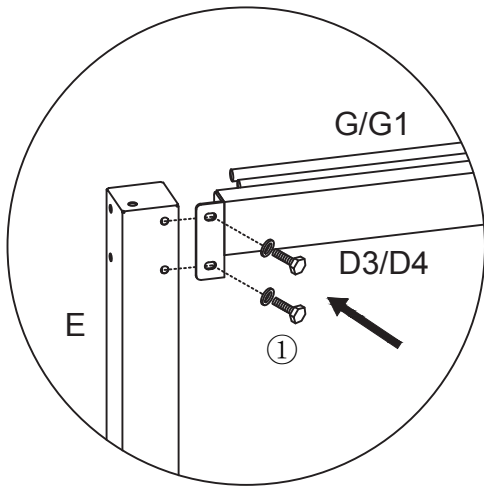
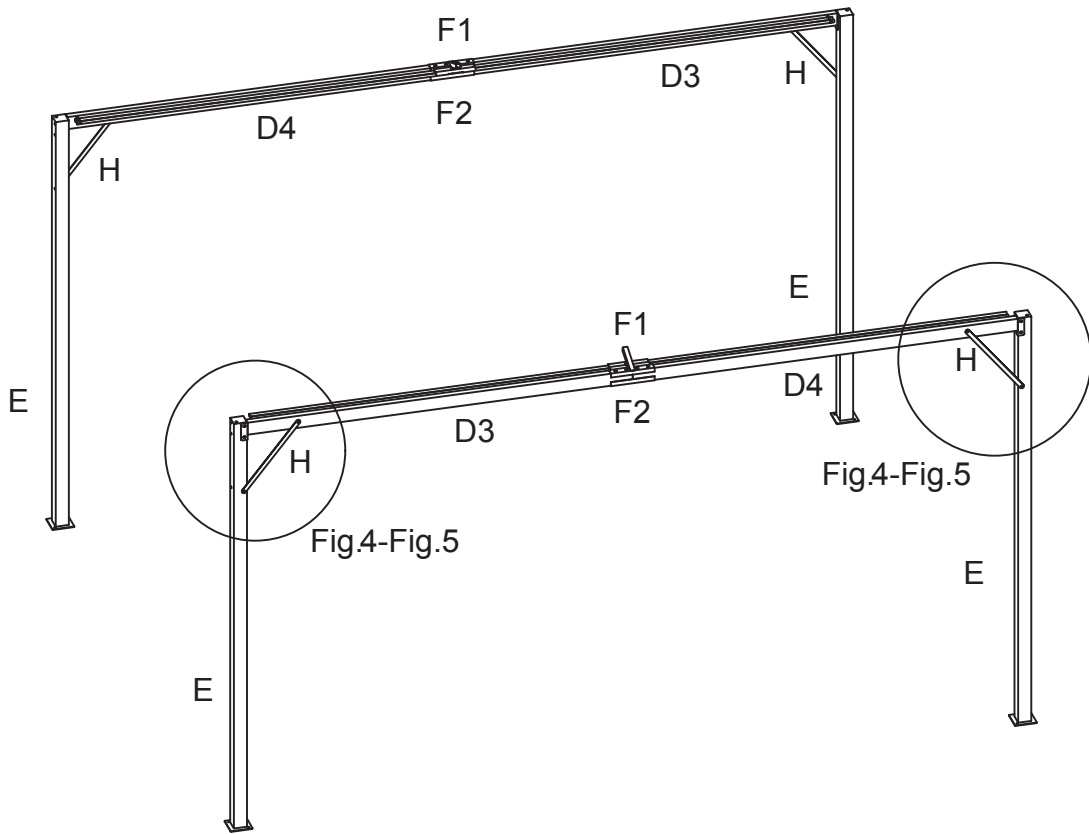


Fig. 4

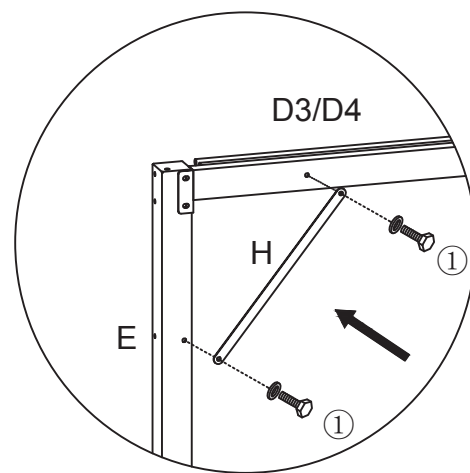


Fig. 5

Connect the beam (D3/D4) and the post (E) with the Bolts ①, as shown in Fig. 4.  
Connect the beam (D3/D4) and the post (E) with the Bolts ① and the Connecting Flat Iron (H), as shown in Fig. 5.

Step 4

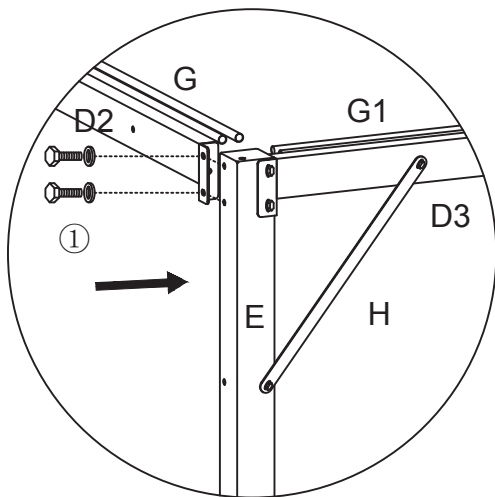
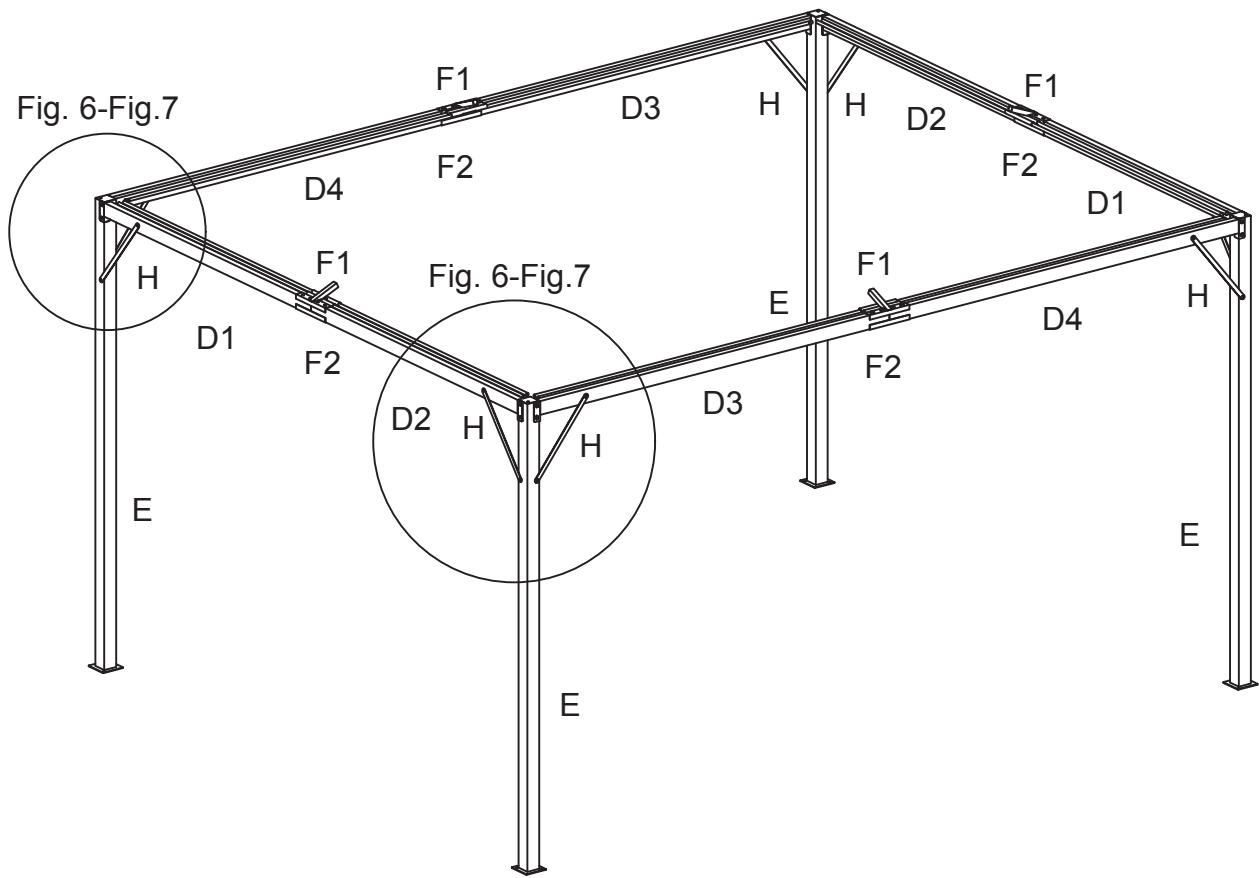


Fig. 6

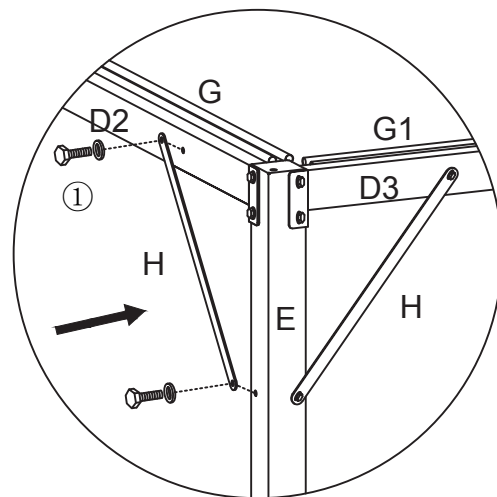
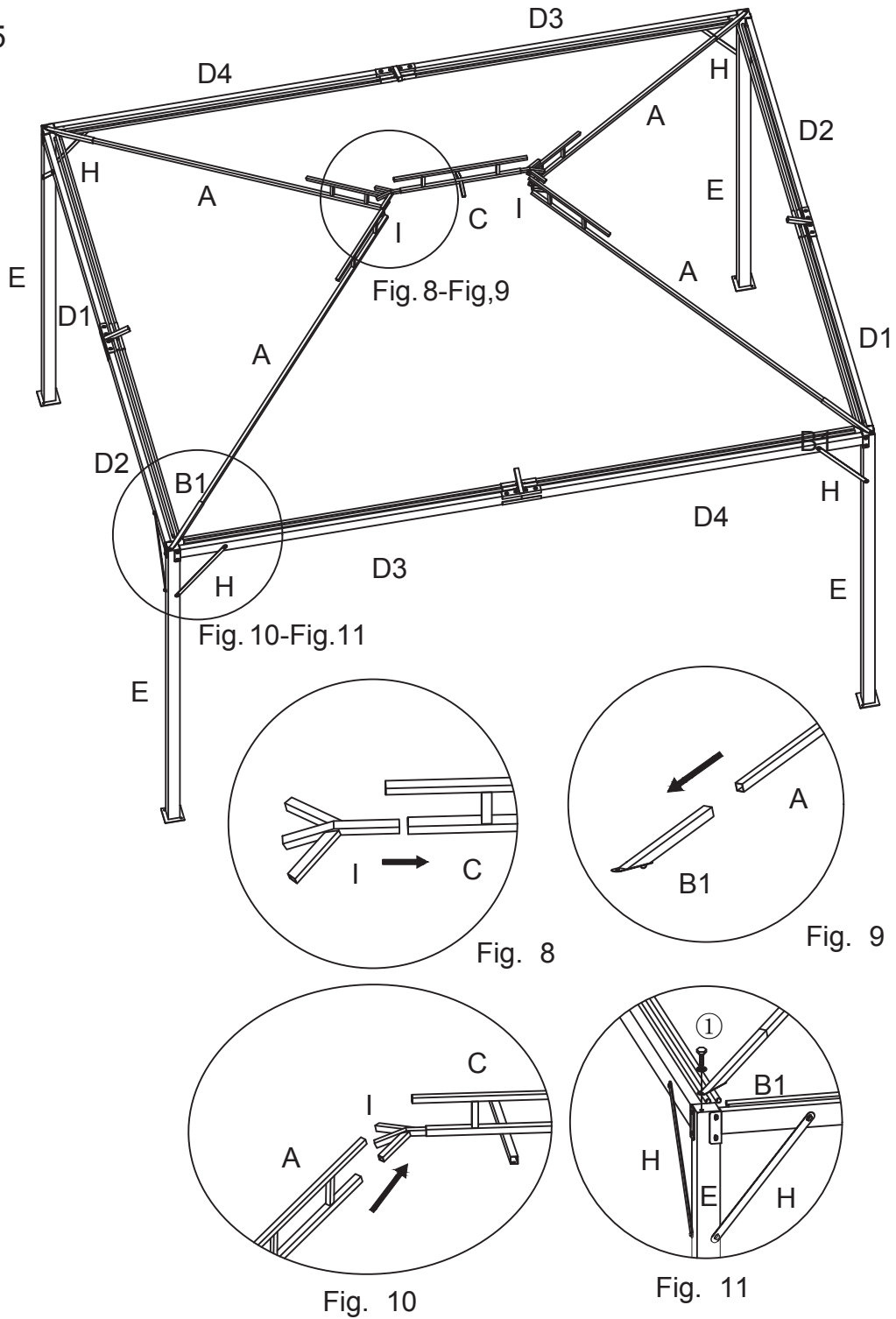


Fig. 7

Connect the beam (D1/D2) and the post (E) with the Bolts ①, as shown in Figure 6.  
 Connect the beam (D1/D2) and the post (E) with the Bolts ① and the Connecting Flat Iron (H), as shown in Figure 7.

Step 5



Insert the central device (I) into the jacking bracket (C) and connect it with the spring clip, as shown in Fig.8.

Insert the long jacking tube (A) into the long jacking connector (B1) and connect it with the spring clip, as shown in Fig.9.

Insert the long jacking tube (A) into the central device (I) and connect it with the spring clip, as shown in Fig.10.

Connect the long jacking connector (B1) and the post (E) with the Bolts ① , as shown in Fig.11.

Step 6

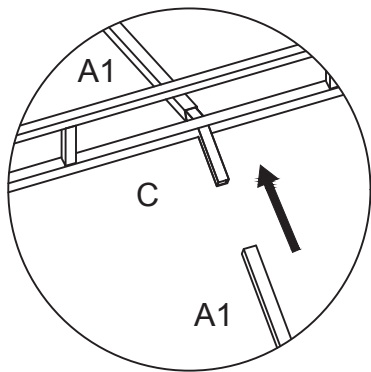
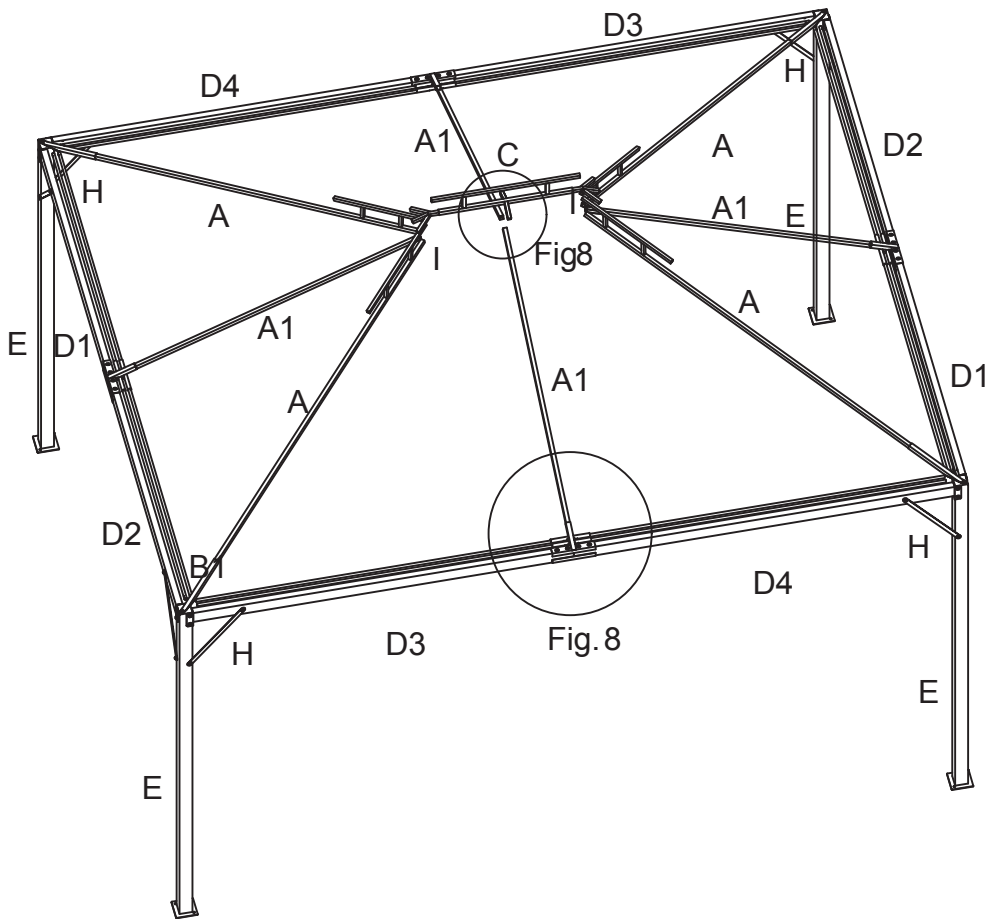


Fig. 12

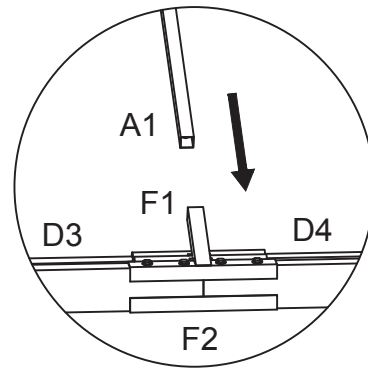


Fig. 13

Put the short jacking tube (A1) into the jacking bracket (C) and connect it with the spring clip, as shown in Fig. 12.

Insert the short jacking tube (A1) into the upper beam connector (F1) and connect it with the spring clip, as shown in Figure 13.

Step 7

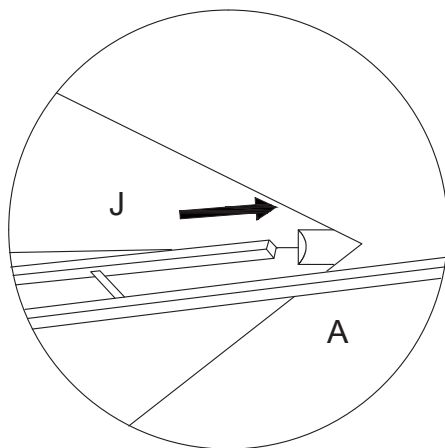
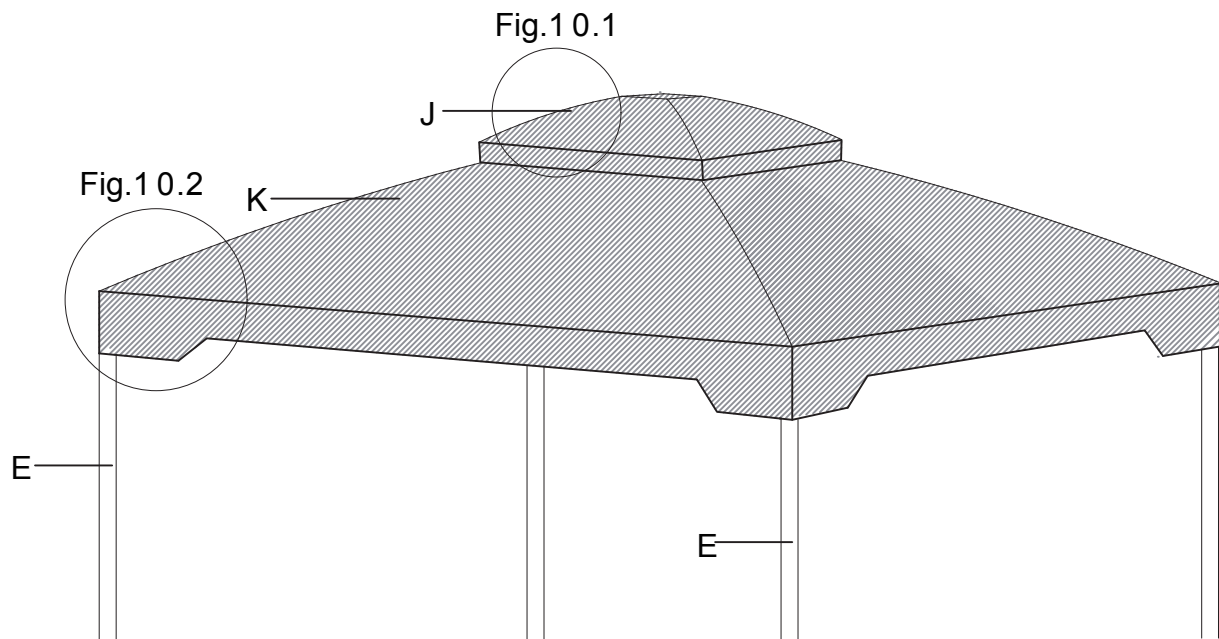


Fig.1 0.1

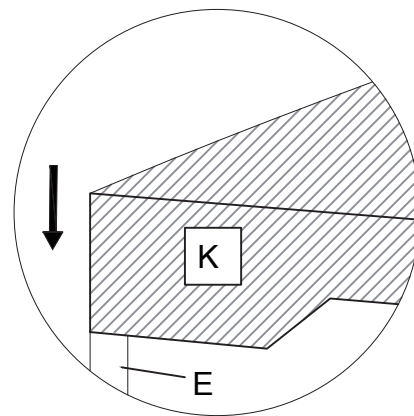


Fig.1 0.2

Put the small canopy cloth (J) on the top of the tent and put the top four corners into the long jacking tube(A) (See Fig.10.1). Put the large canopy cloth (K) on the top of the tent and put the four corners into the post (E), (see Fig.10.2).

Step 8

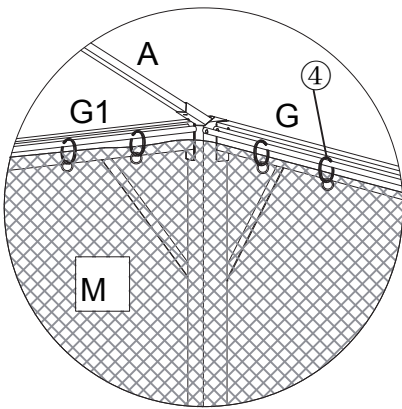
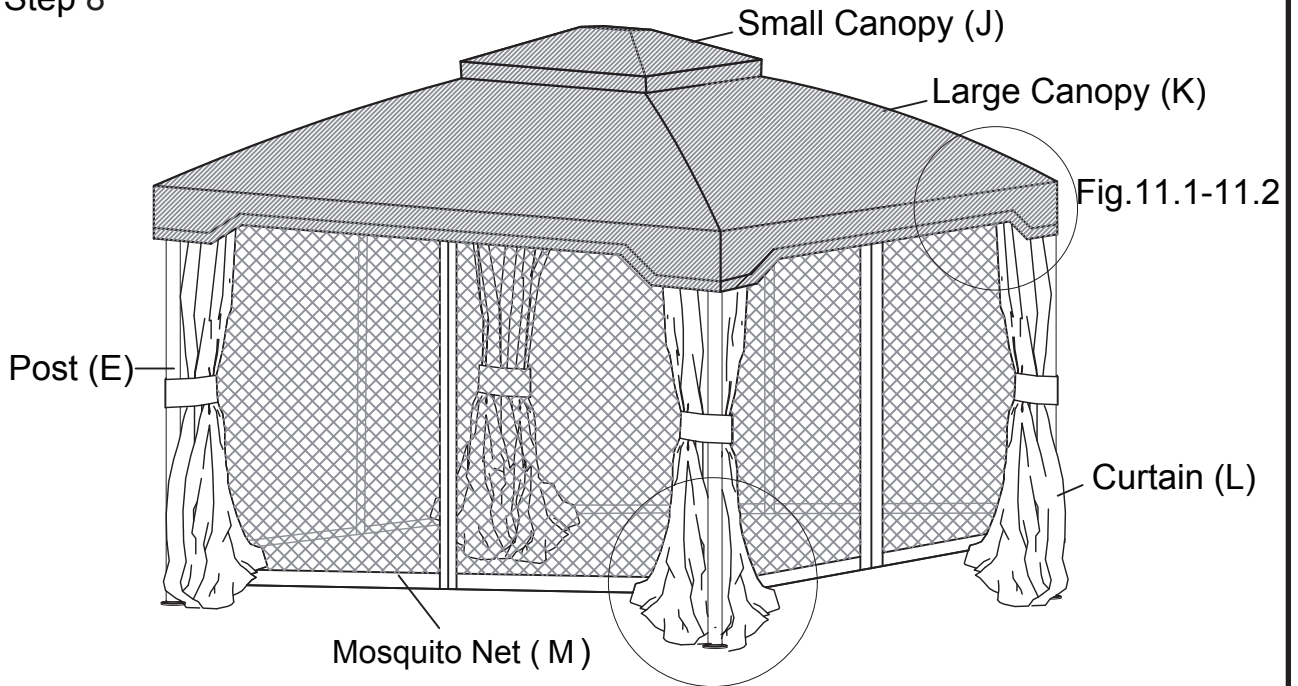


Fig.1 1.1

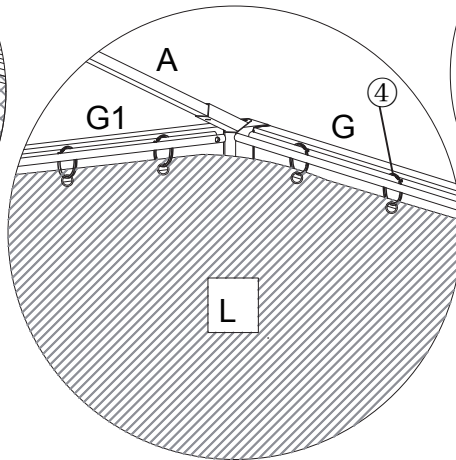


Fig.1 1.2

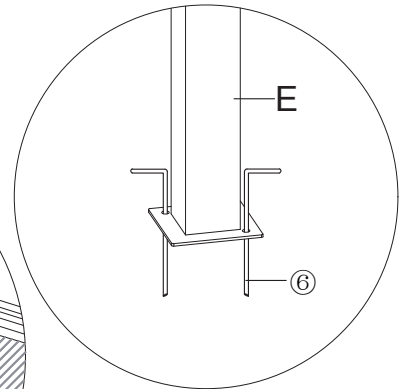


Fig.1 1.3

Connect the mosquito net (M) and the mosquito net pole (G/G1) with the Hook ④, as shown in (Fig. 11.1).

Connect the curtain (L) and the mosquito net pole (G/G1) with the Hook ④, as shown in (Fig. 11.2).





















Insert the stake ⑥ into the post (E), as shown in Fig. 11.3.

## Cautions:

1. Check stability and screw on the Bolts.
2. DO NOT tighten any Bolts fully and then move on towards the next one. Rather, in a sequential manner, gradually tighten each Bolt until all Bolts are evenly secured. This methodology will ensure maximum evenness once all Bolts are fully tightened.
3. Inspect it and make sure all parts are adequately connected.
4. Ensure all Bolts are fully locked into position.
5. This Gazebo can only be used on a flat, level surface.

**Warning!! If the Gazebo is not Stable, it could lead to damage to the product, and could cause injury to any occupants.**

## Care & Maintenance

-   Do not put hot items directly on furniture surface
  -   Do not clean furniture with harsh cleansers or polish.
  -   To obtain the longest lifespan of your outdoor products, minimizing exposure to direct sunlight is recommended.
  -   Children should not climb or jump on the furniture.
  -   Do not write on furniture without a padded barrier to protect the surface.
  -   To obtain the longest lifespan of your outdoor products, avoid extended and lengthy exposure to rain, snow, and direct sunshine. Whenever possible cover the product and /or place under patio or awnings.
  -   Not for commercial use. For residential use only .
  -   Stains may be removed with mild soap solution and damp cloth.
  -   Keep away from sources of ignition.
- 
-   Dust and pick-up spills using a clean, non-colored, lint-free cloth .