





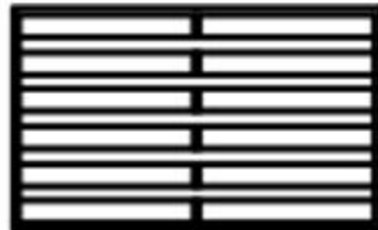






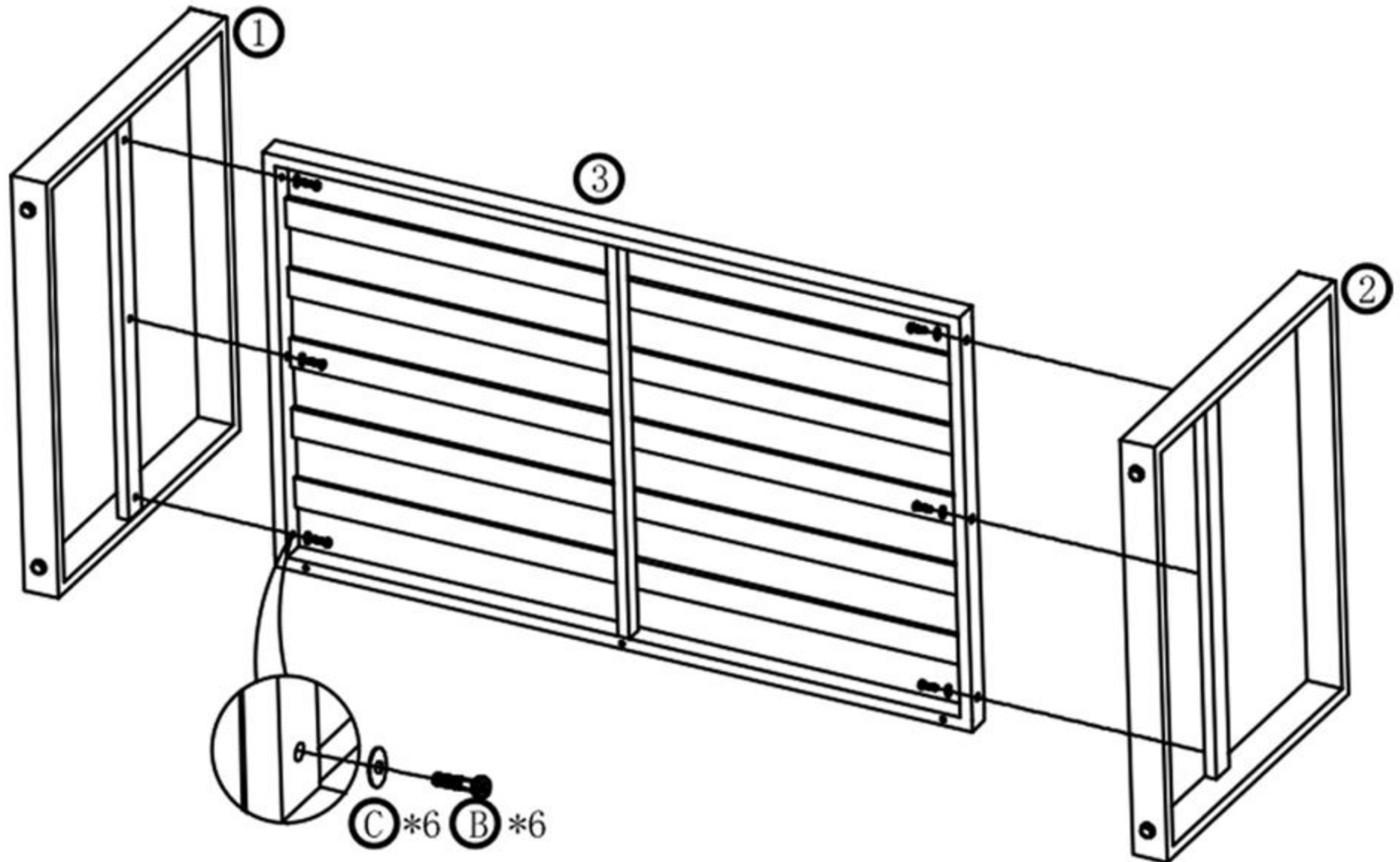
Assembly instructions

NO.	Picture	Name	Qty	NO.	Picture	Name	Qty	NO.	Picture	Name	Qty
1		Right arm	1	5		Seat cushion	2	C		Gasket	11
2		Left arm	1	6		Back cushion	2	D		Tool	1
3		Seat	1	A		Screw M6 x 55mm	3	E		Nut cover	11
4		Back	1	B		Screw M6 x 35mm	8				

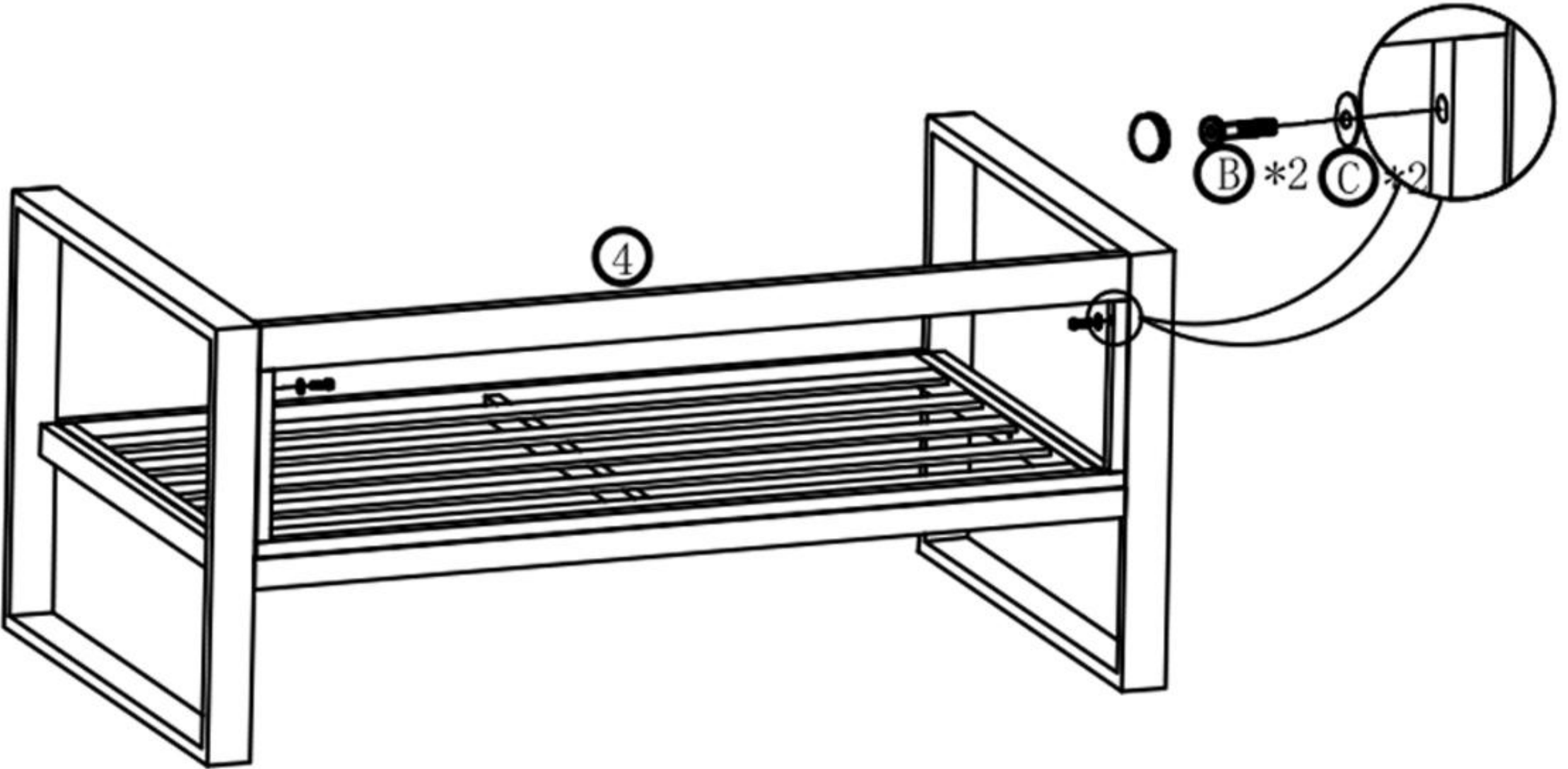
NOTE:

Our products can be returned for any reason within 30 days (in the original packaging) and provide a one-year warranty. The cushion is not water-resistant. It is recommended to match the patio furniture cover when it rains

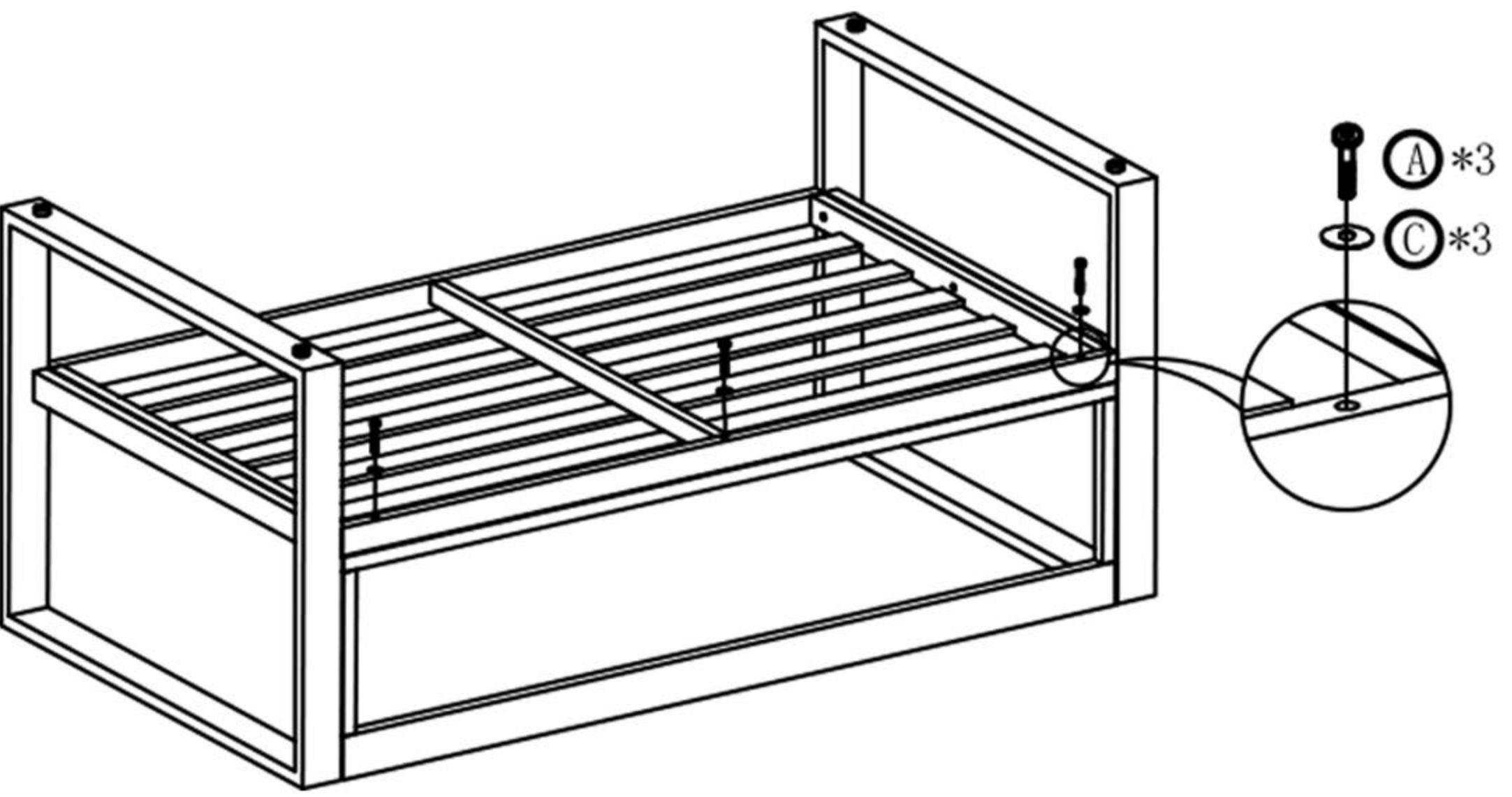
STEP 1



STEP 2



STEP 3



STEP 4

