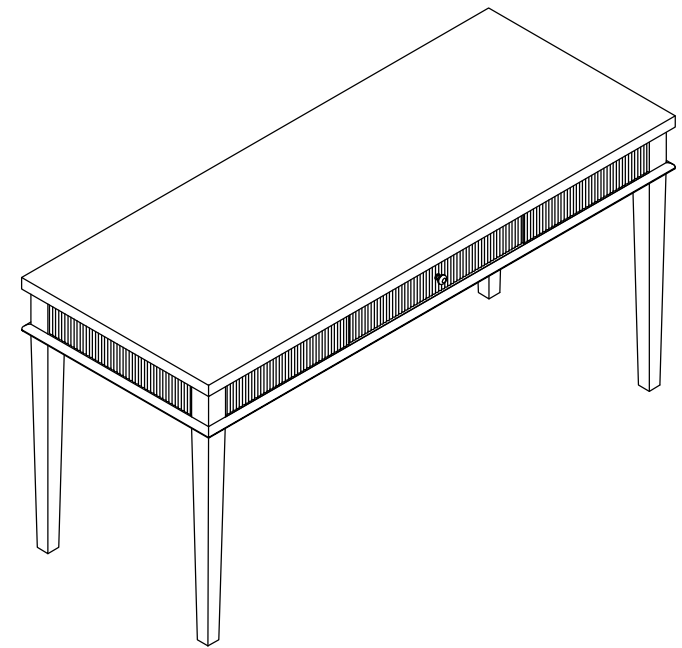


# SHELBIE 1 DRAWER DESK

Assembly Instructions

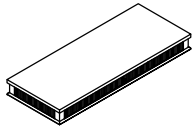


# Thanks for bringing Safavieh Couture into your home

Everything we make is incredibly simple to set up, including your new desk. You won't need any additional tools.

## Parts List

A x 1  
Desk



B x 4  
Leg



## Hardware List

HW1 x 12  
Hex Socket Bolt  $\frac{5}{16}$ "-18 x 1- $\frac{3}{4}$ "



HW2 x 1  
Allen Key  $\frac{5}{32}$ "

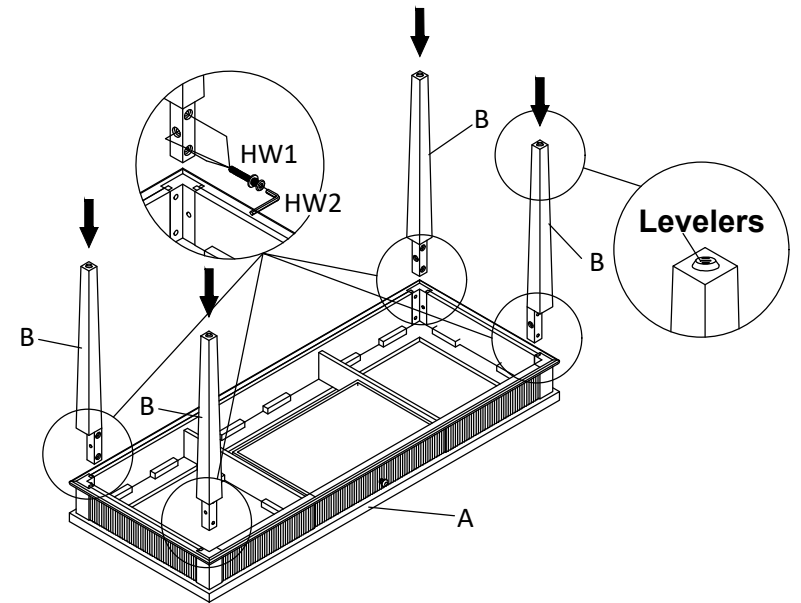


HW3 x 2  
Anti-Tip Hardware



1

Place the Desk (A) upside down on a soft surface. Align the screw holes on the 4 legs (B) to the screw holes on the Desk (A). Attach them by using the Allen key (HW2) to screw in 12 of the Hex Socket Bolts (HW1) as shown.



2

Turn the Desk upright. Place the Desk in the place where you will use it. Use the levelers on the bottom of the legs to adjust the desk as needed. Follow the installation instructions of the Anti-Tip Hardware (HW3) to attach the product to the wall.

