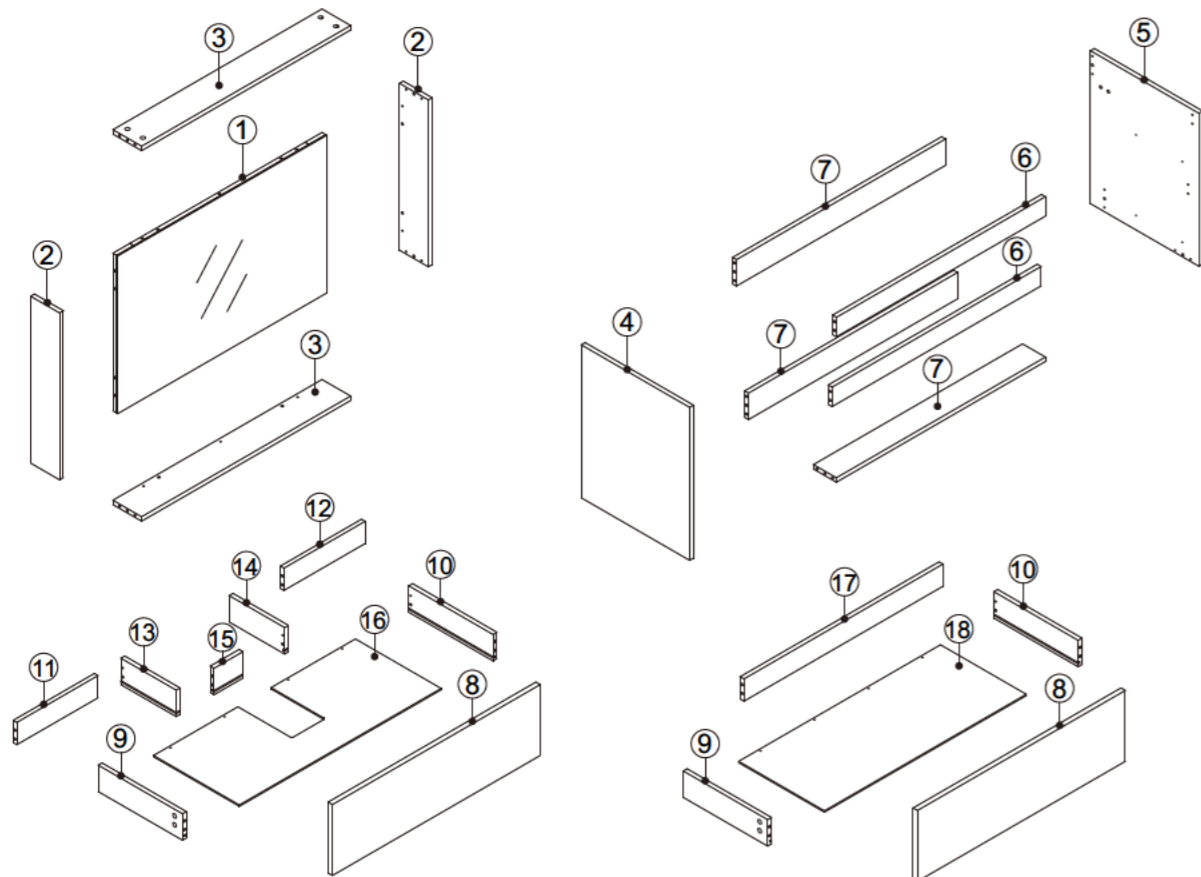
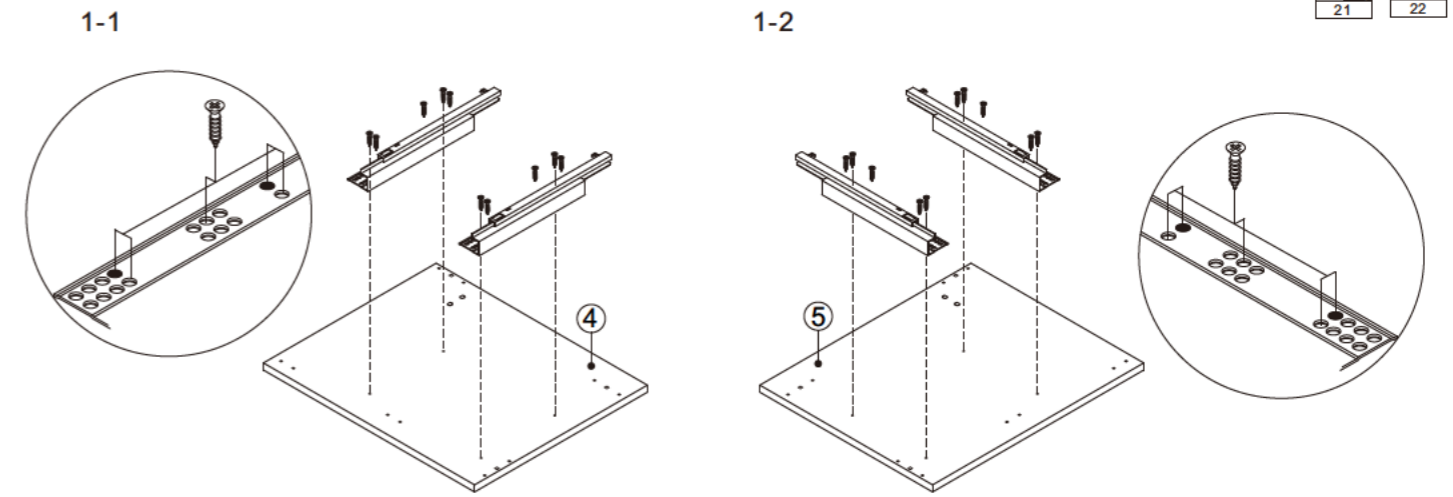


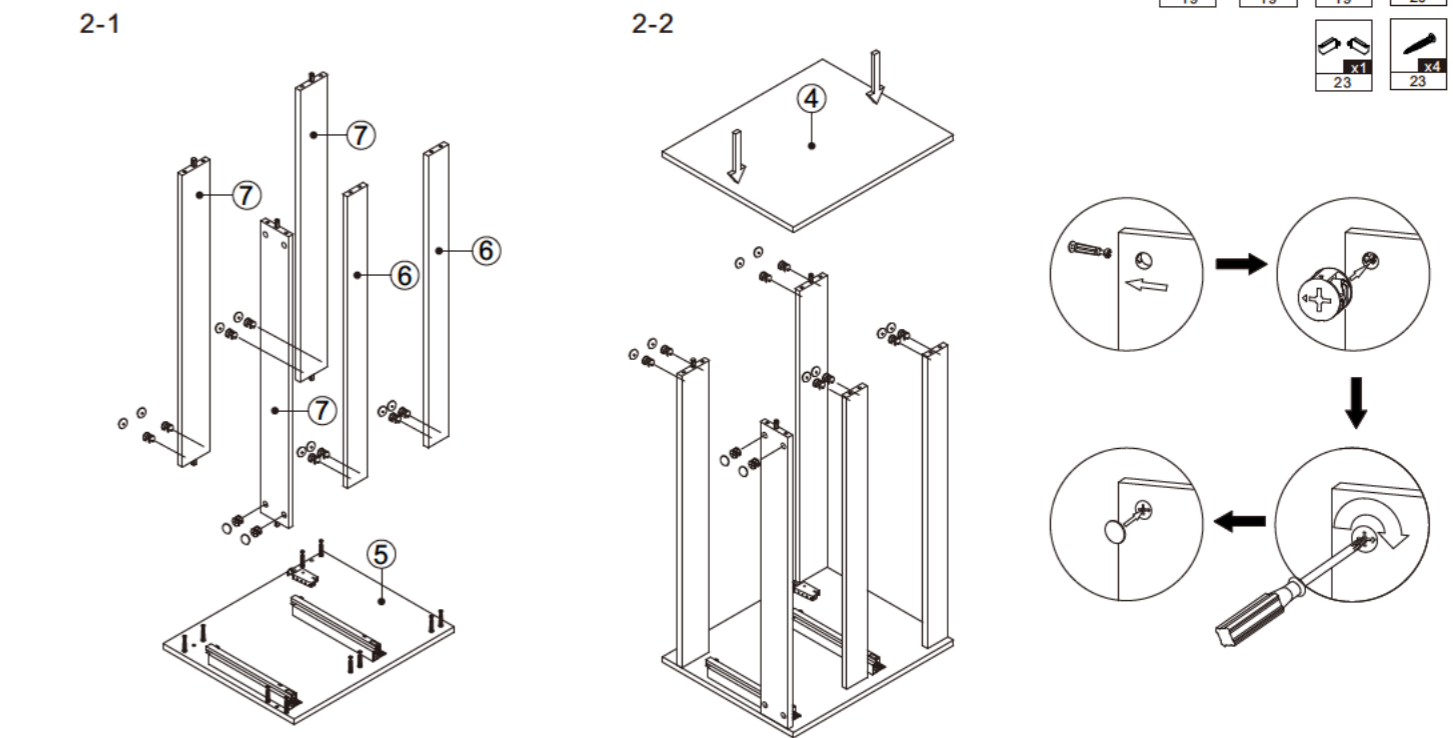
| NO. | Description                        | Quantity |
|-----|------------------------------------|----------|
| 1   | Mirror                             | 1        |
| 2   | Mirror board (left & right)        | 2        |
| 3   | Mirror board (up & down)           | 2        |
| 4   | Left side board for cabinet        | 1        |
| 5   | Right side board for cabinet       | 1        |
| 6   | Connect board 6                    | 2        |
| 7   | Connect board 7                    | 3        |
| 8   | Drawer front                       | 2        |
| 9   | Left board for drawer              | 2        |
| 10  | Right board for drawer             | 2        |
| 11  | Back board for up drawer           | 1        |
| 12  | Back board for up drawer           | 1        |
| 13  | Left board for u shape             | 1        |
| 14  | Right board for u shape            | 1        |
| 15  | Back board for u shape             | 1        |
| 16  | Bottom board for drawer up         | 1        |
| 17  | Back board for drawer down         | 1        |
| 18  | Bottom board for drawer down       | 1        |
| 19  | Three-in-one Connector             | 54       |
| 20  | Wood Plug                          | 26       |
| 21  | Screws M4x14                       | 28       |
| 22  | Slider                             | 2        |
| 23  | Screws M4x25                       | 1        |
| 24  | Screws M4x20                       | 12       |
| 25  | Screws M4.2x50 For Fix On The Wall | 14       |
| 26  | Hanger                             | 4        |



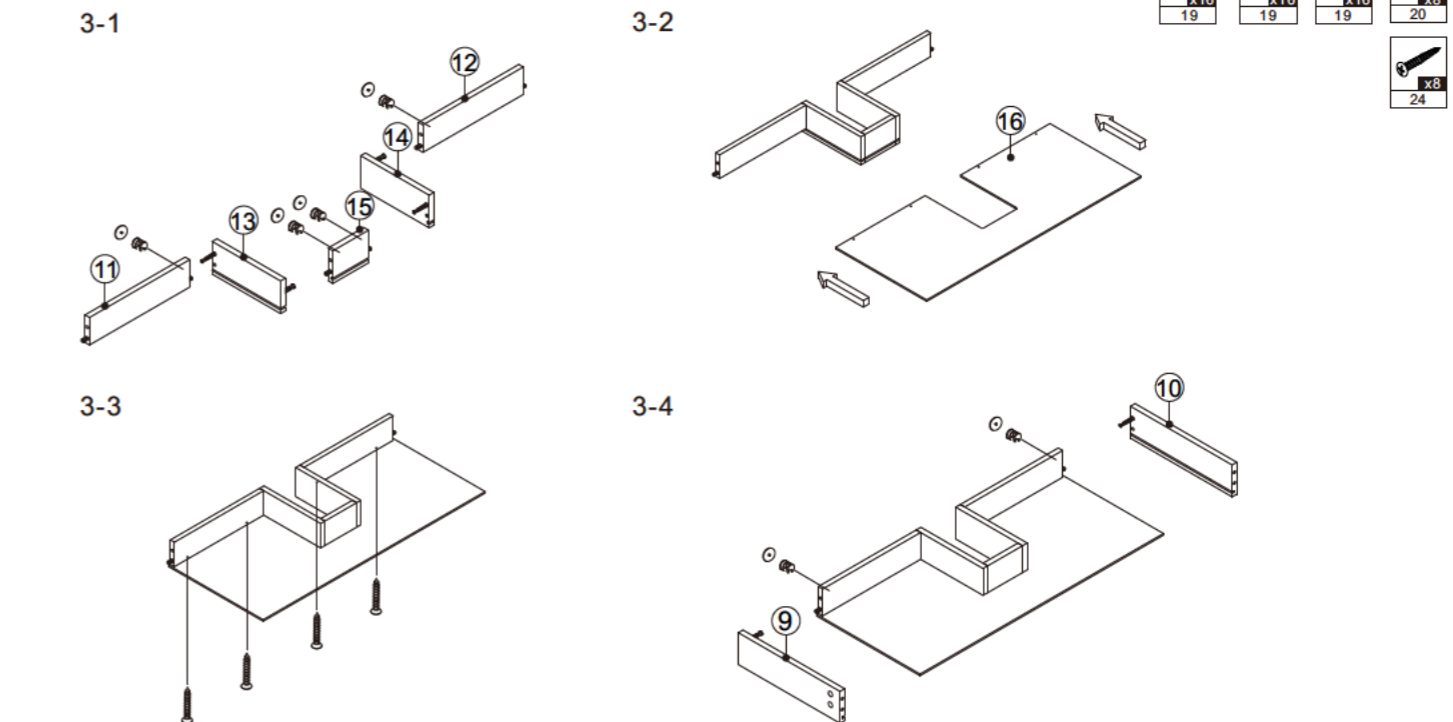
### Step 1



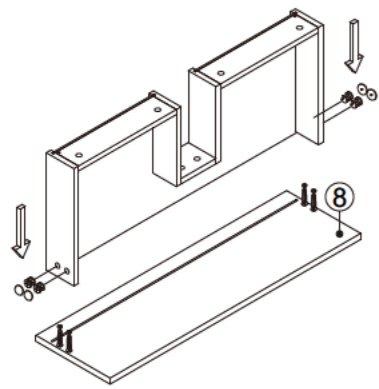
### Step 2



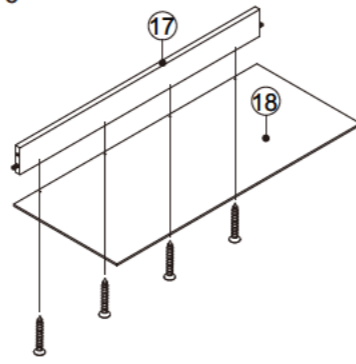
### Step 3



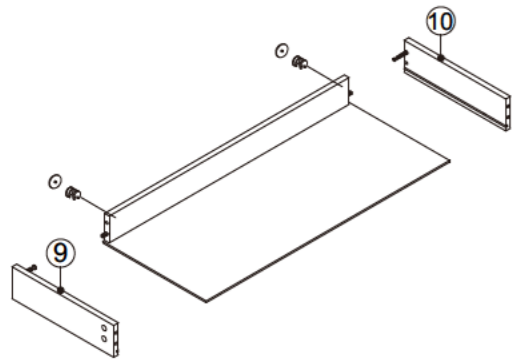
3-5



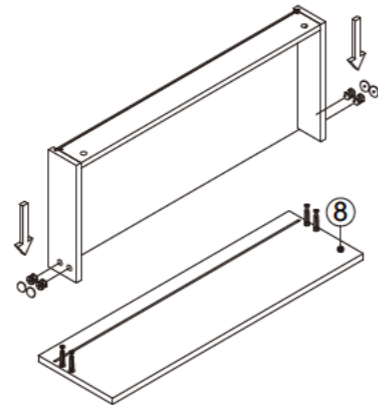
3-6



3-7

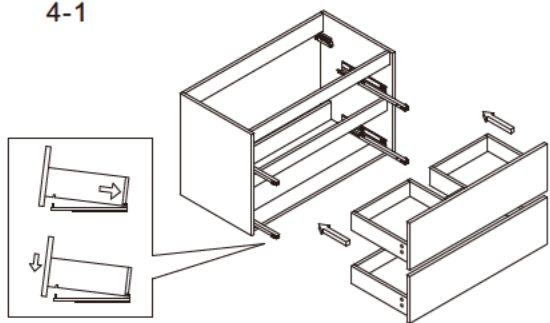


3-8

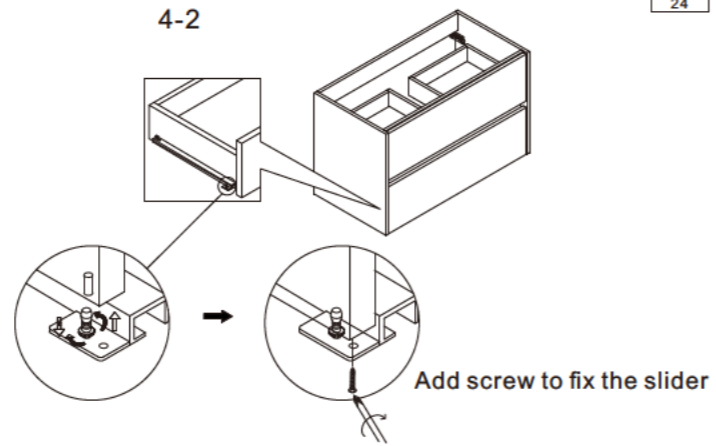


Step 4

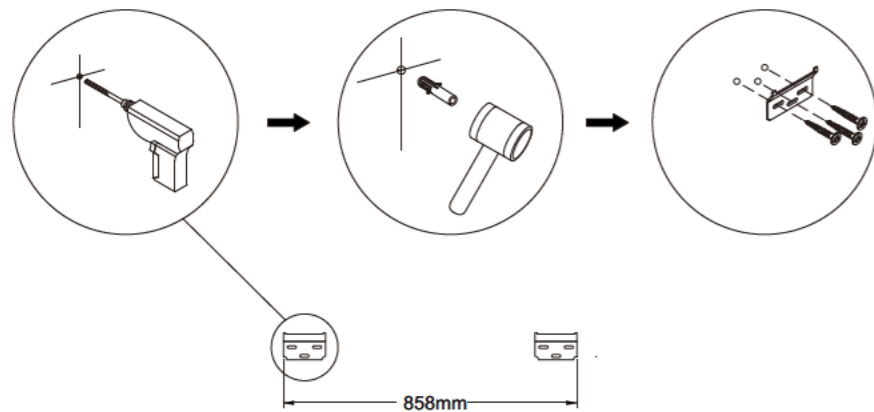
4-1



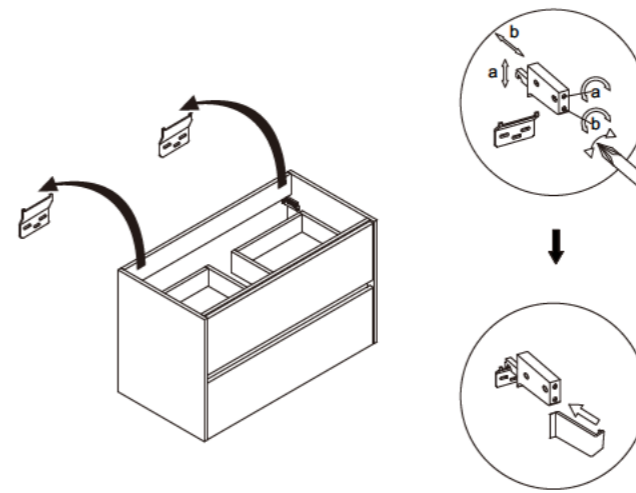
4-2



Step 5



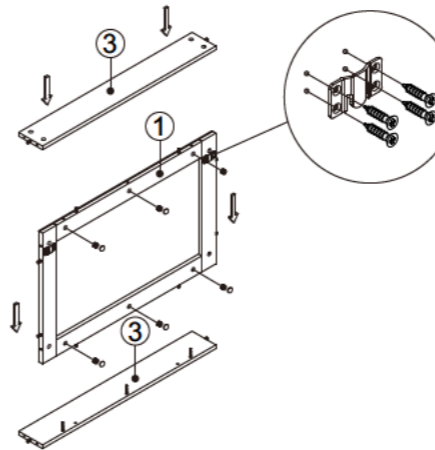
Step 6



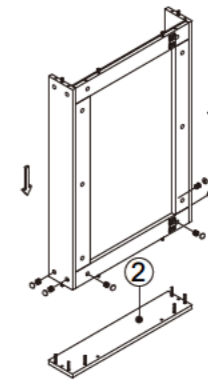
Through the screw to adjust position of the hanger  
a: up and down  
b: front and back

Step 7

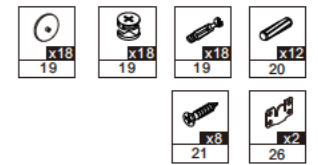
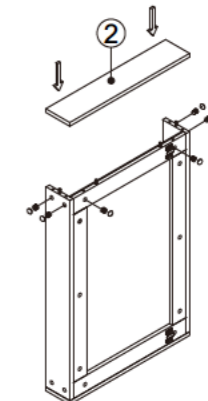
7-1



7-2

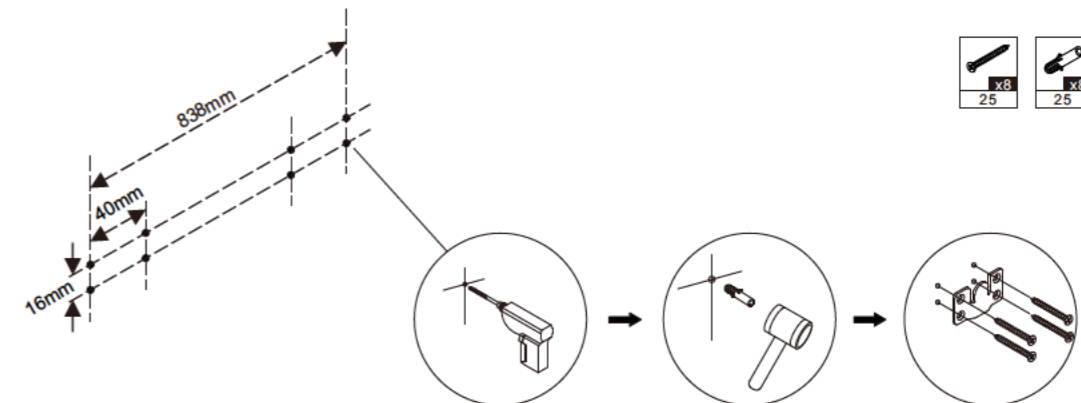


7-3



Step 8

8-1



8-2

