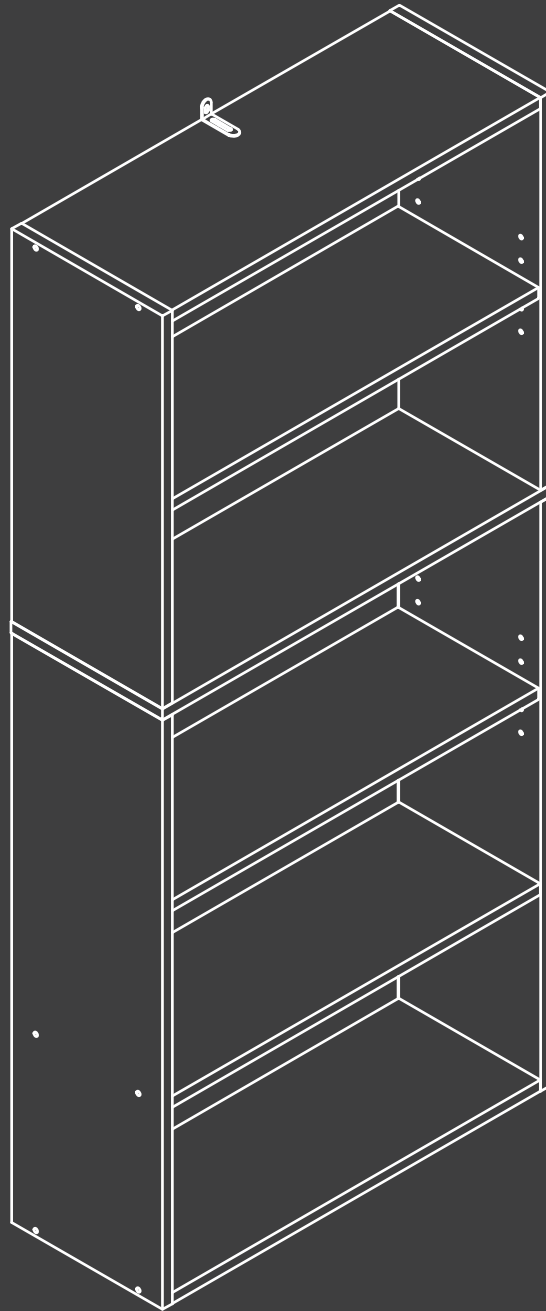
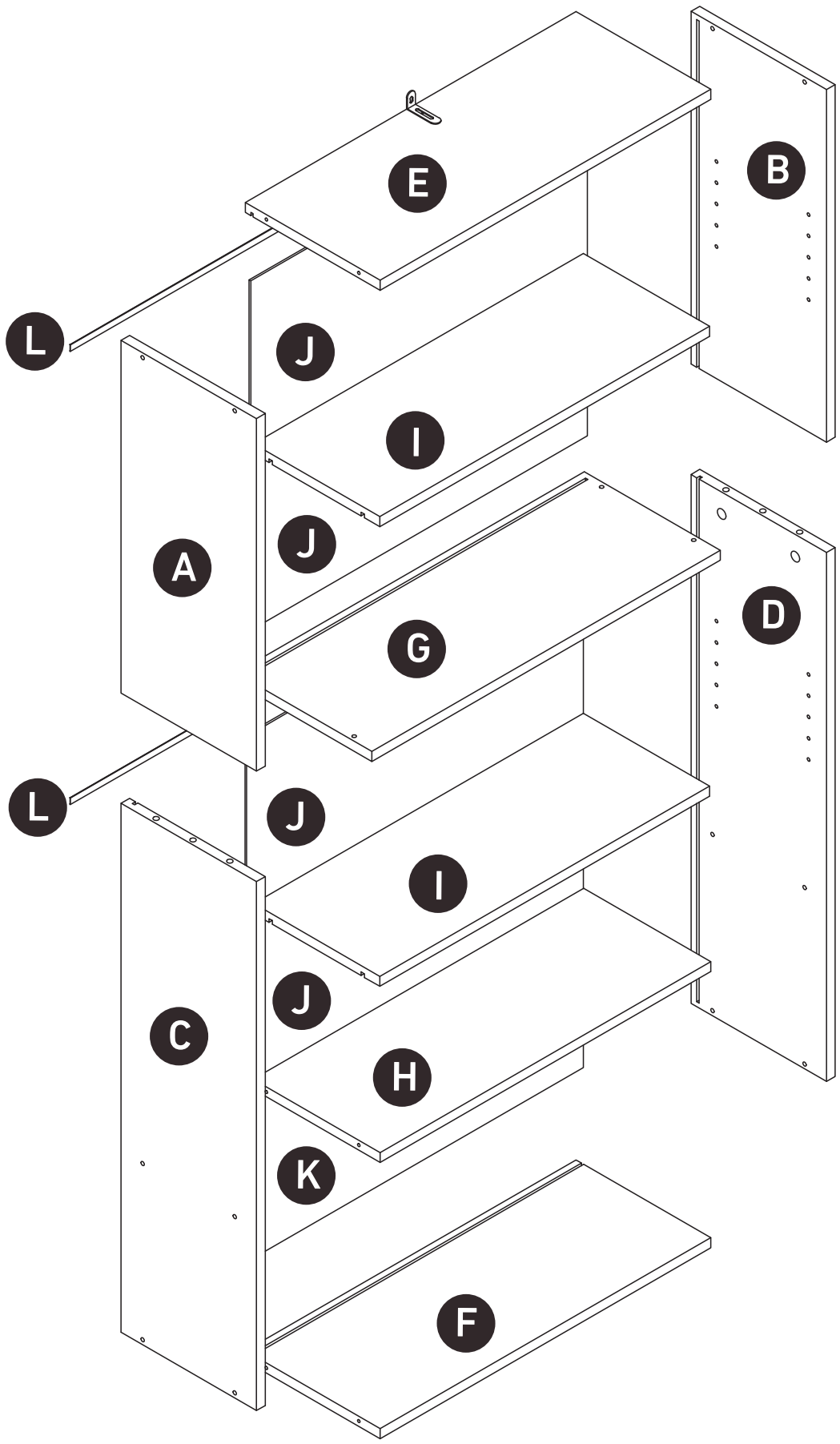


# Storage Bookshelf

## Instruction Manual

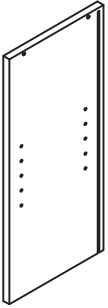




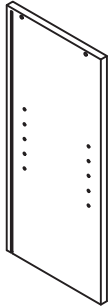
# 1 Package List

---

**A** X1



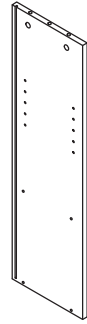
**B** X1



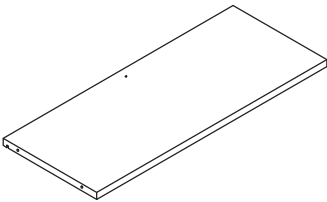
**C** X1



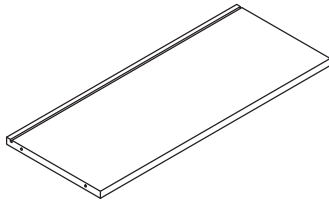
**D** X1



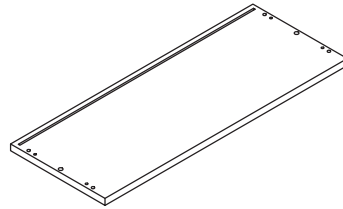
**E** X1



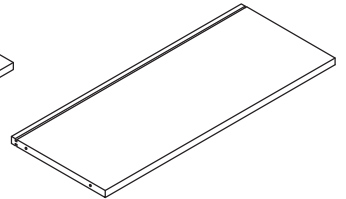
**F** X1



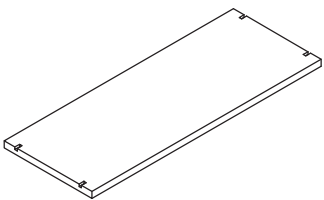
**G** X1



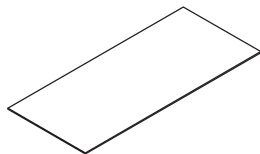
**H** X1



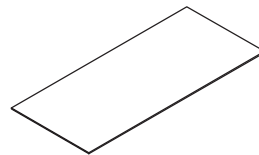
**I** X2



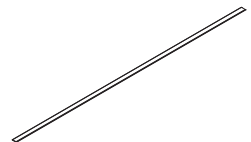
**J** X4



**K** X1



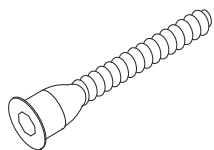
**L** X2



## 2 Supplied Parts and Hardware

---

**1** X16



M5x38mm

**2** X4



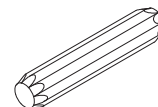
M6x40mm

**3** X4



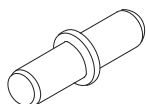
Ø15x10.5mm

**4** X2



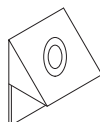
Ø8x30mm

**5** X8

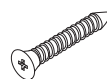


Ø5x20mm

**6** X8



**7** X1



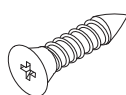
**8** X1



**9** X1

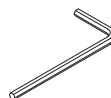


**10** X9



M3x14mm

**11** X1



3mm

**12** X1

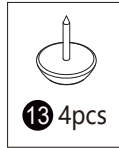
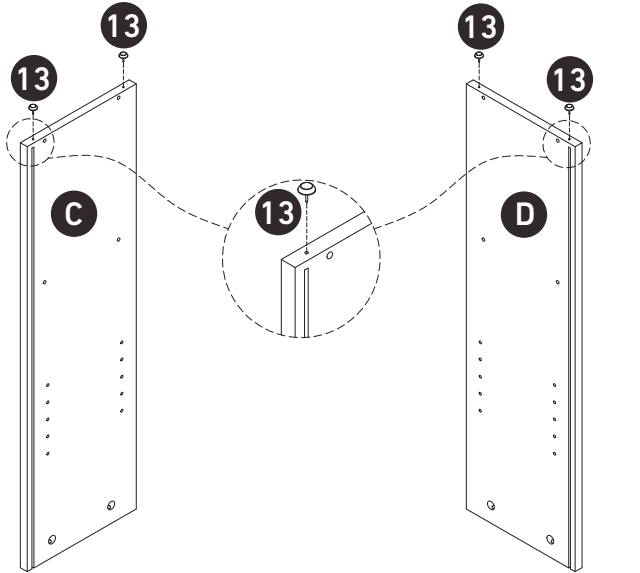


**13** X4



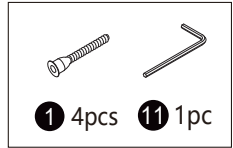
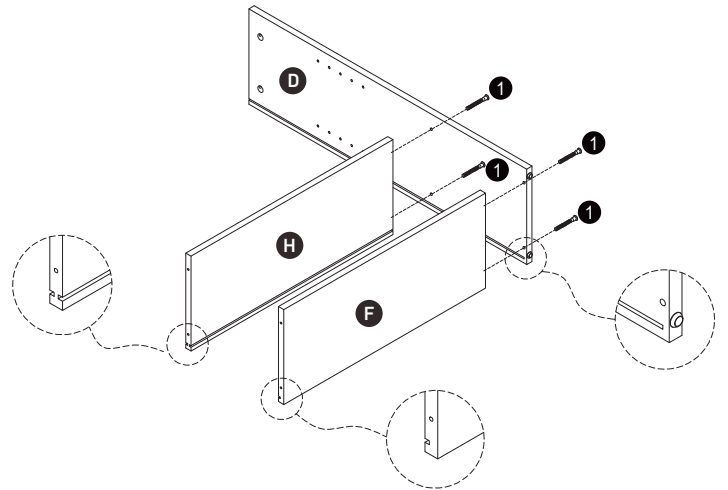
Ø13x17mm

# Step 1

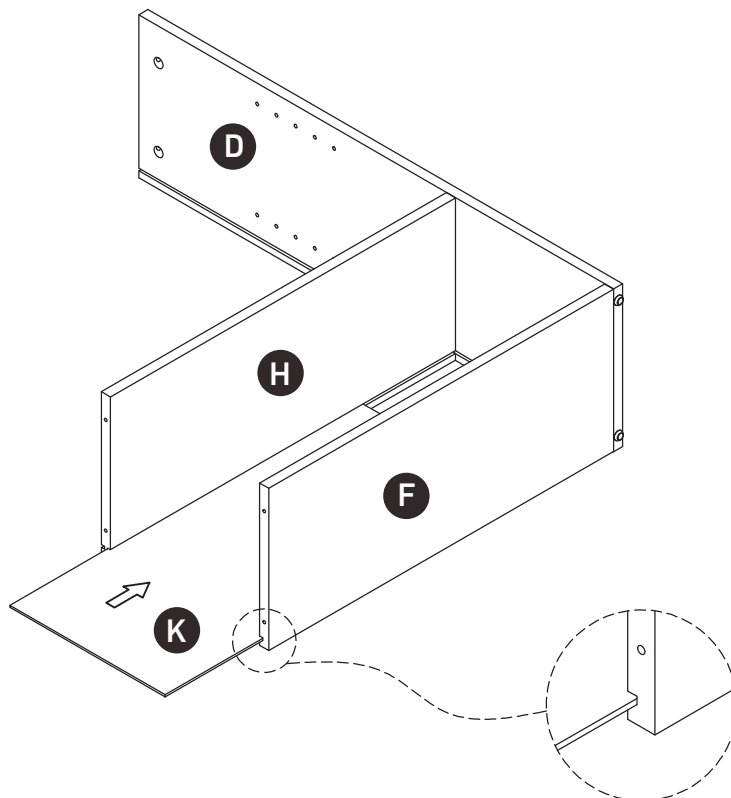


Press or hammer rivet **13** into the board.

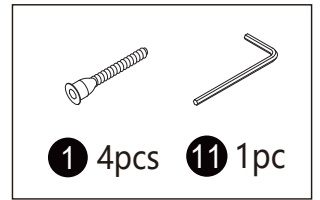
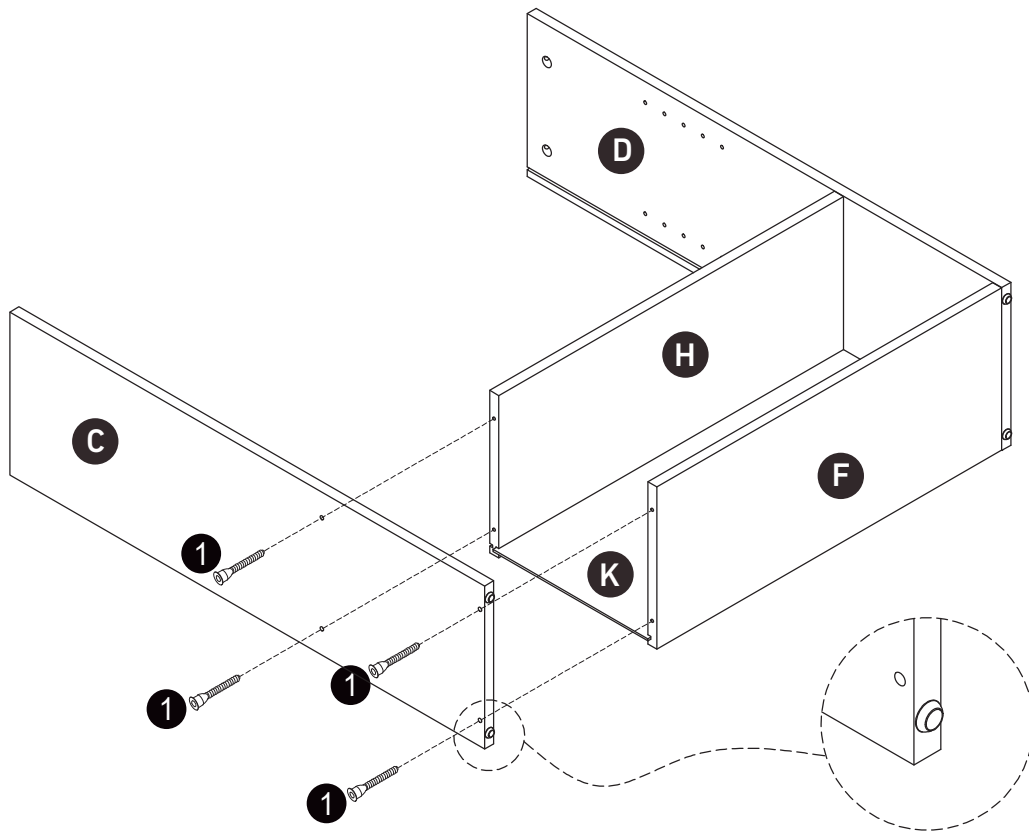
# Step 2



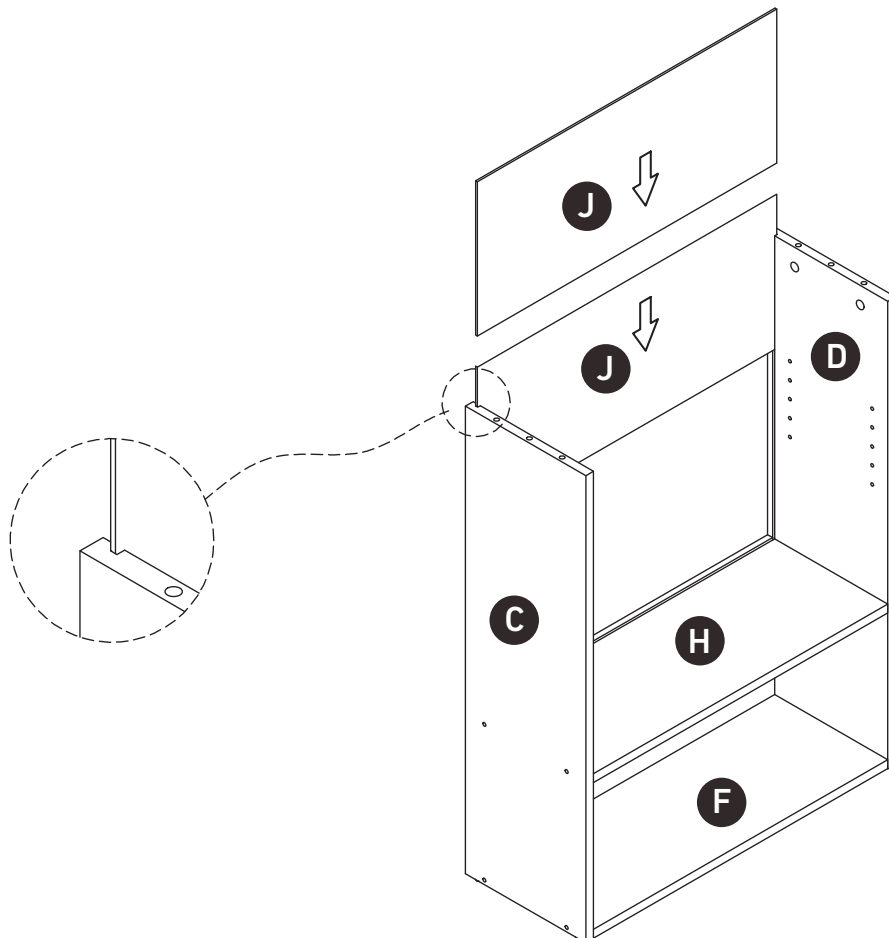
# Step 3



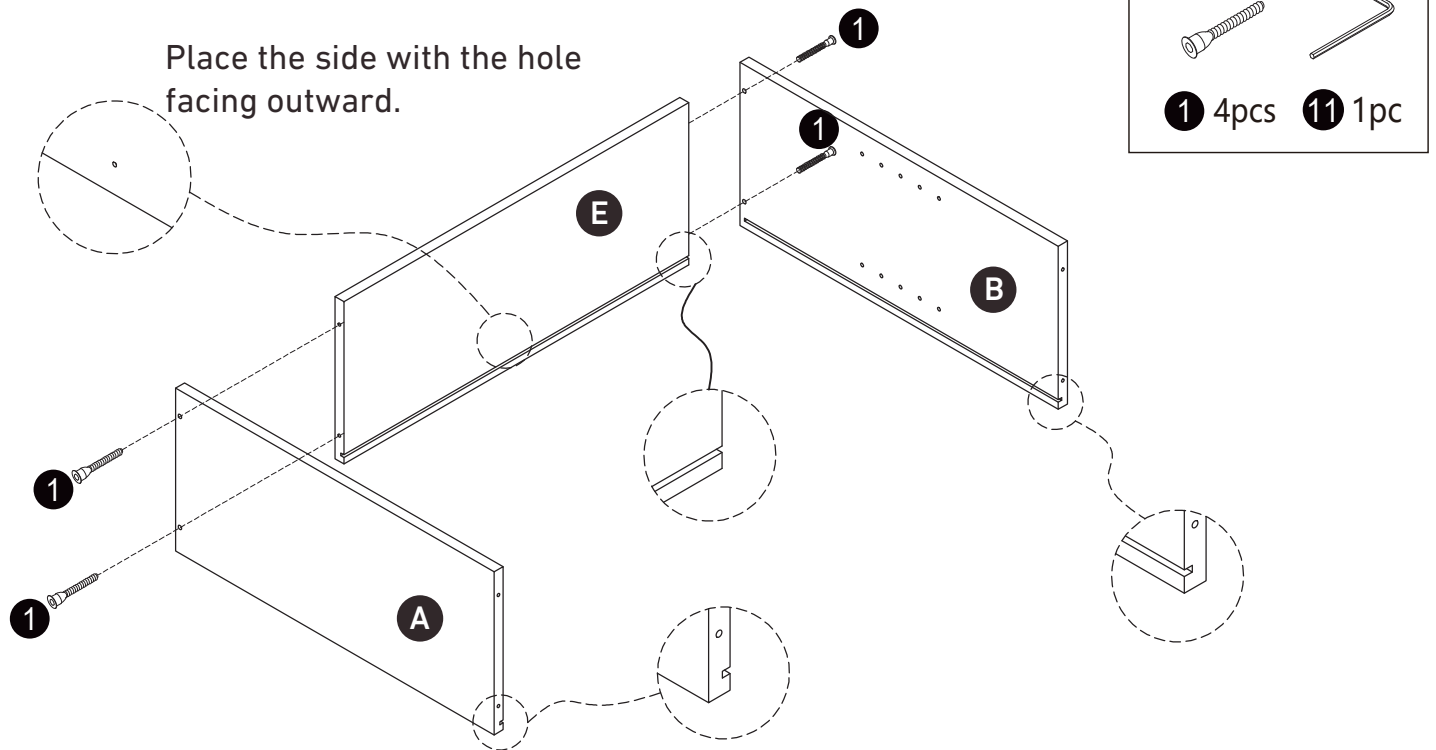
# Step 4



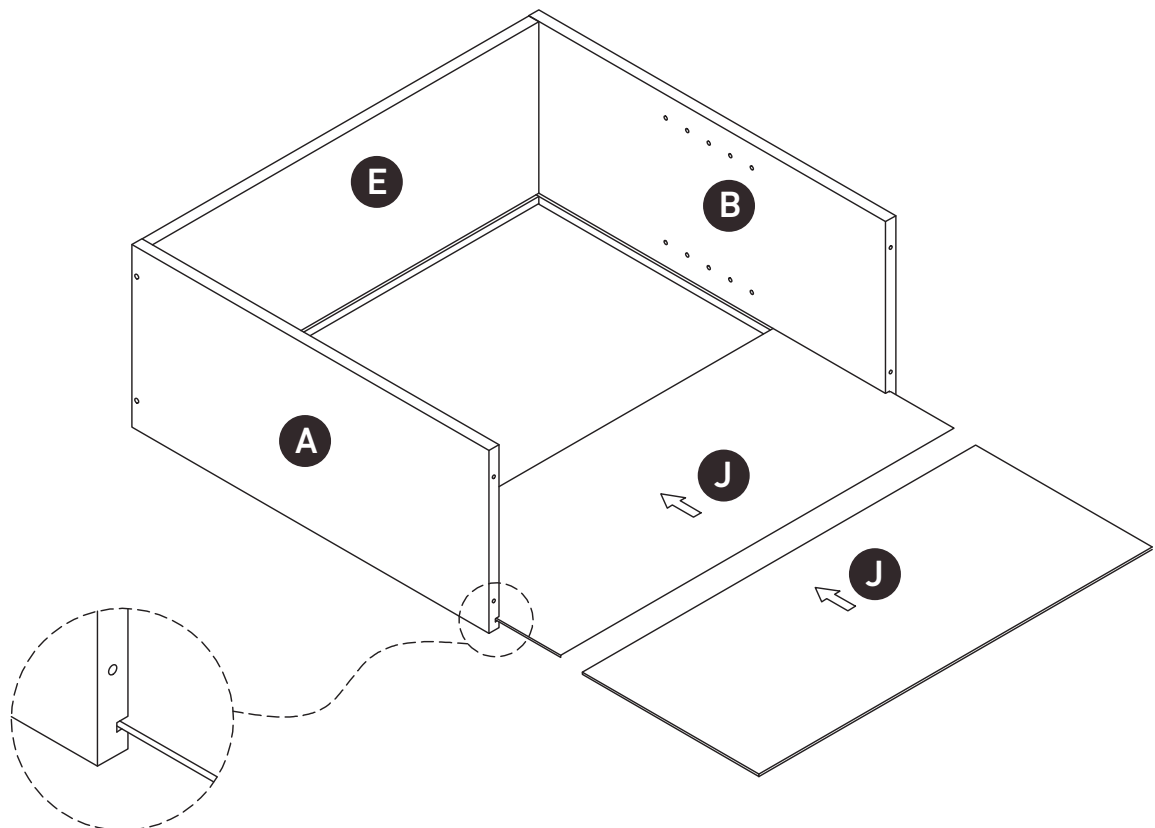
# Step 5



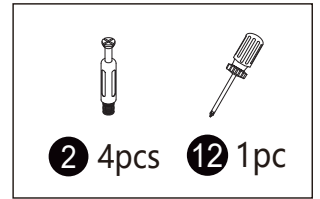
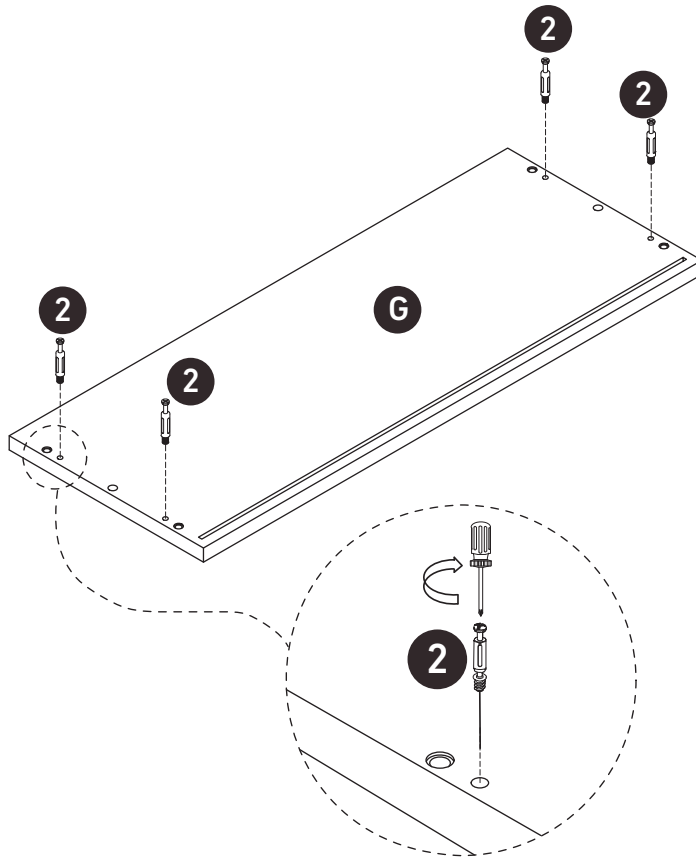
# Step 6



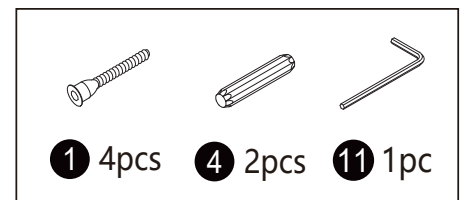
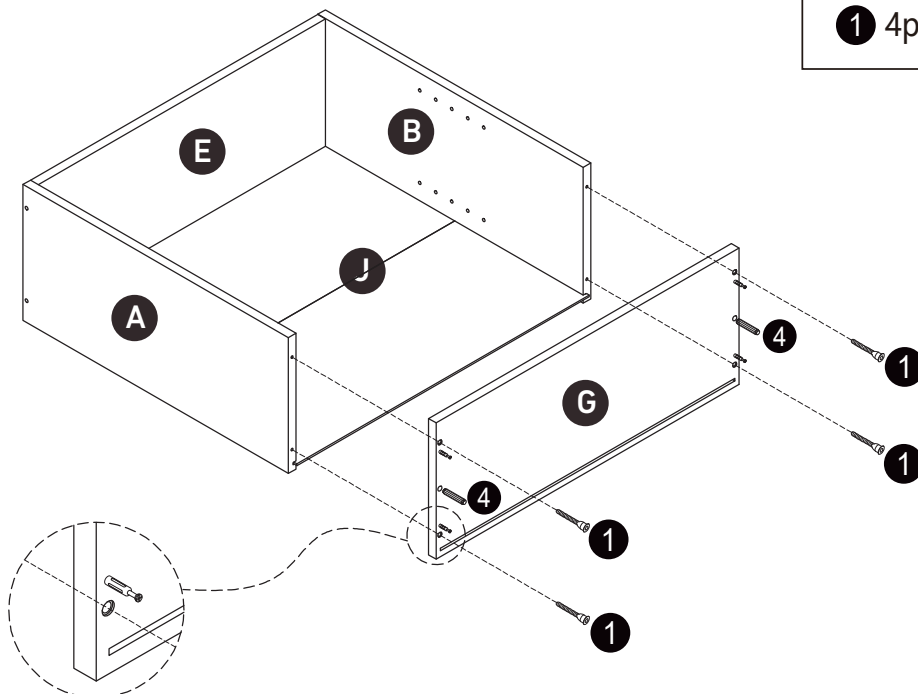
# Step 7



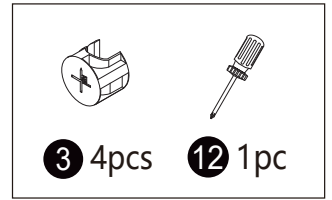
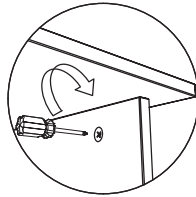
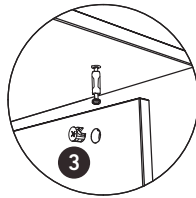
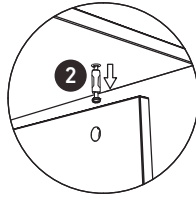
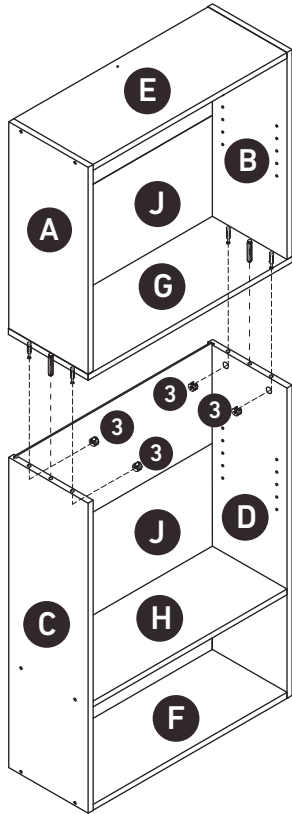
# Step 8



# Step 9

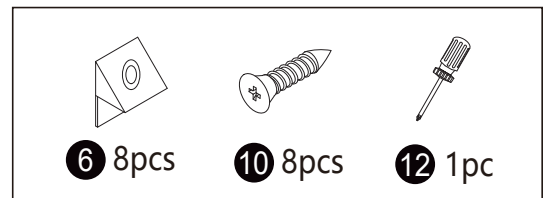
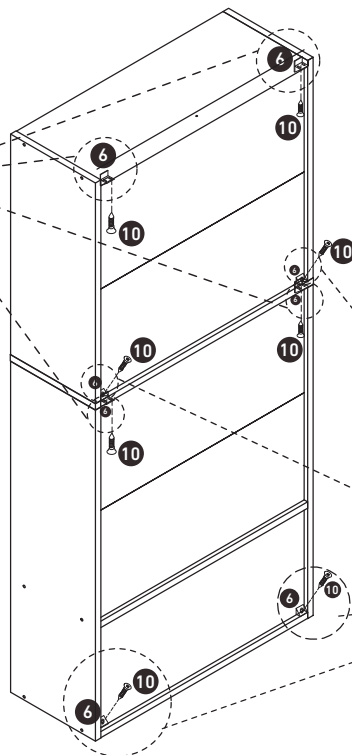
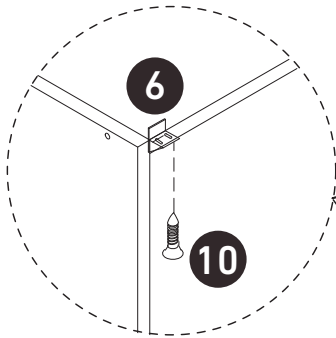


# Step 10



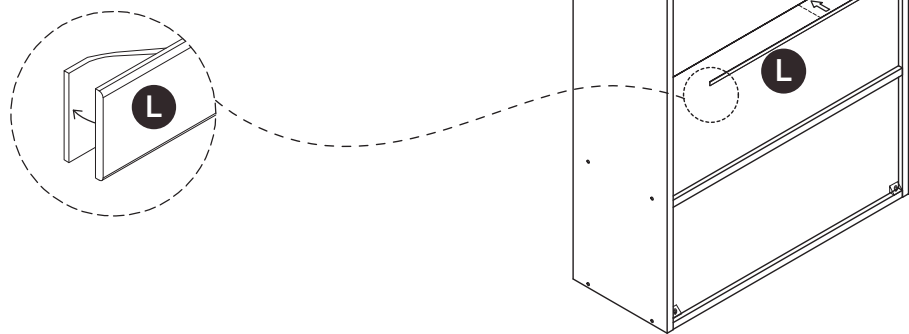
Tighten **3** only after the upper and lower parts are perfectly aligned.

# Step 11

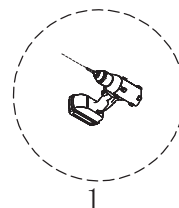
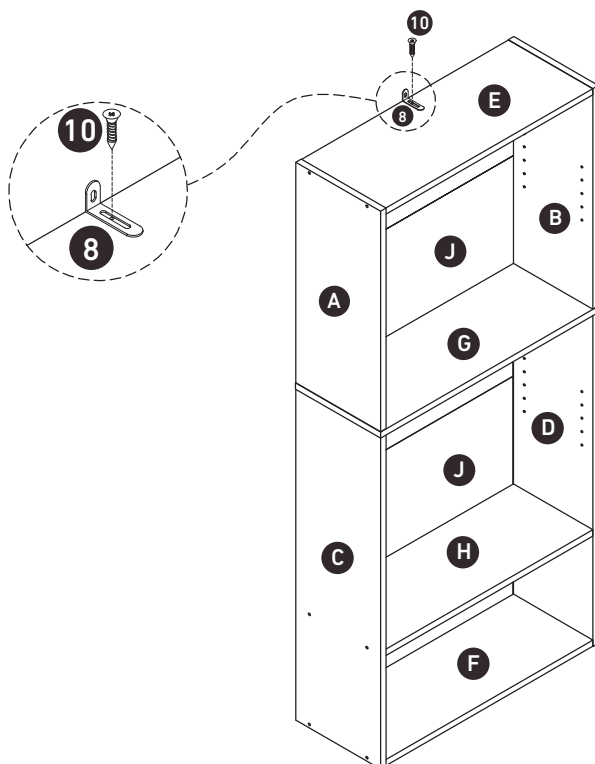
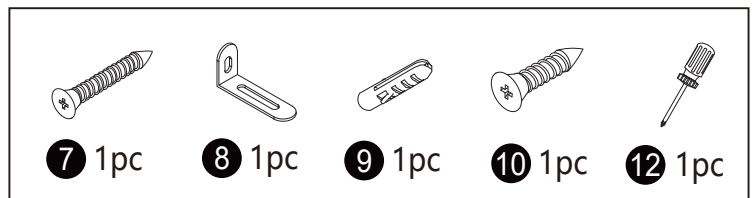


# Step 12

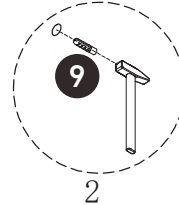
Tear off the protective film from the surface of Strip **L** and apply it to the gap of Board **J**.



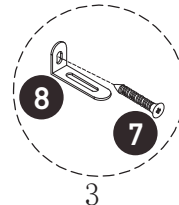
# Step 13



Drill a hole in the wall.

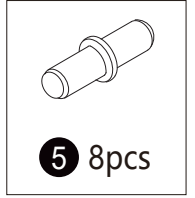
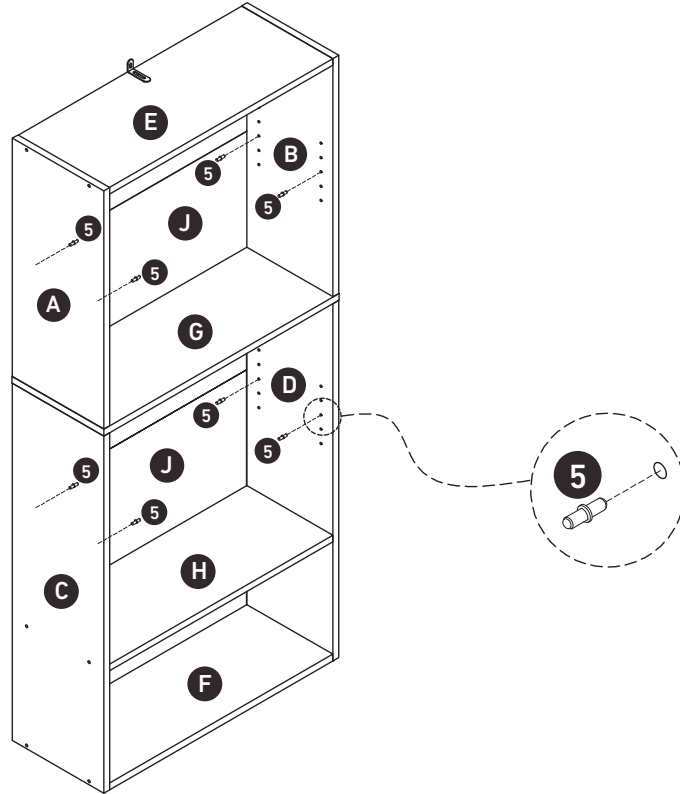


Insert **9** into the hole.



Insert **7** into **8**.

# Step 14



# Step 15

