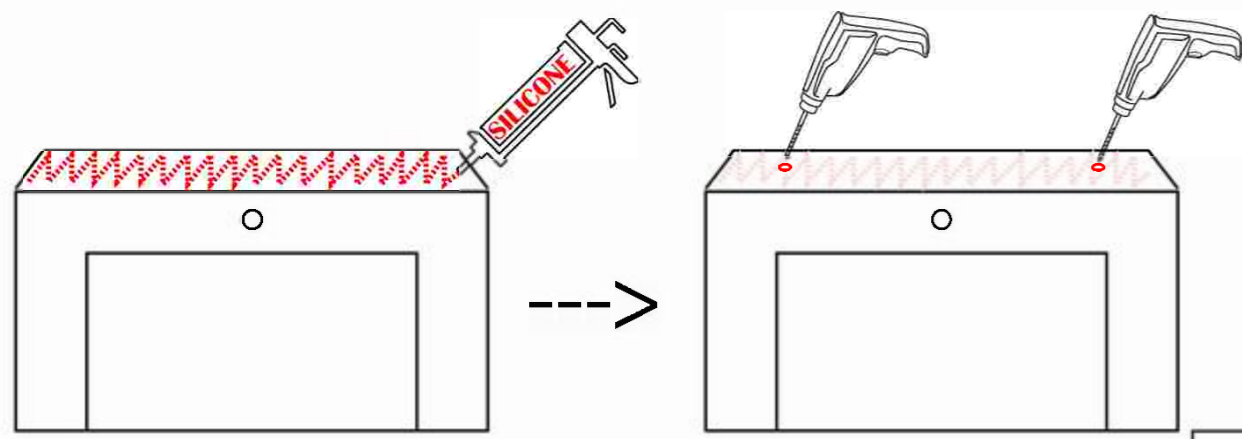


# Vanity Installation Guide



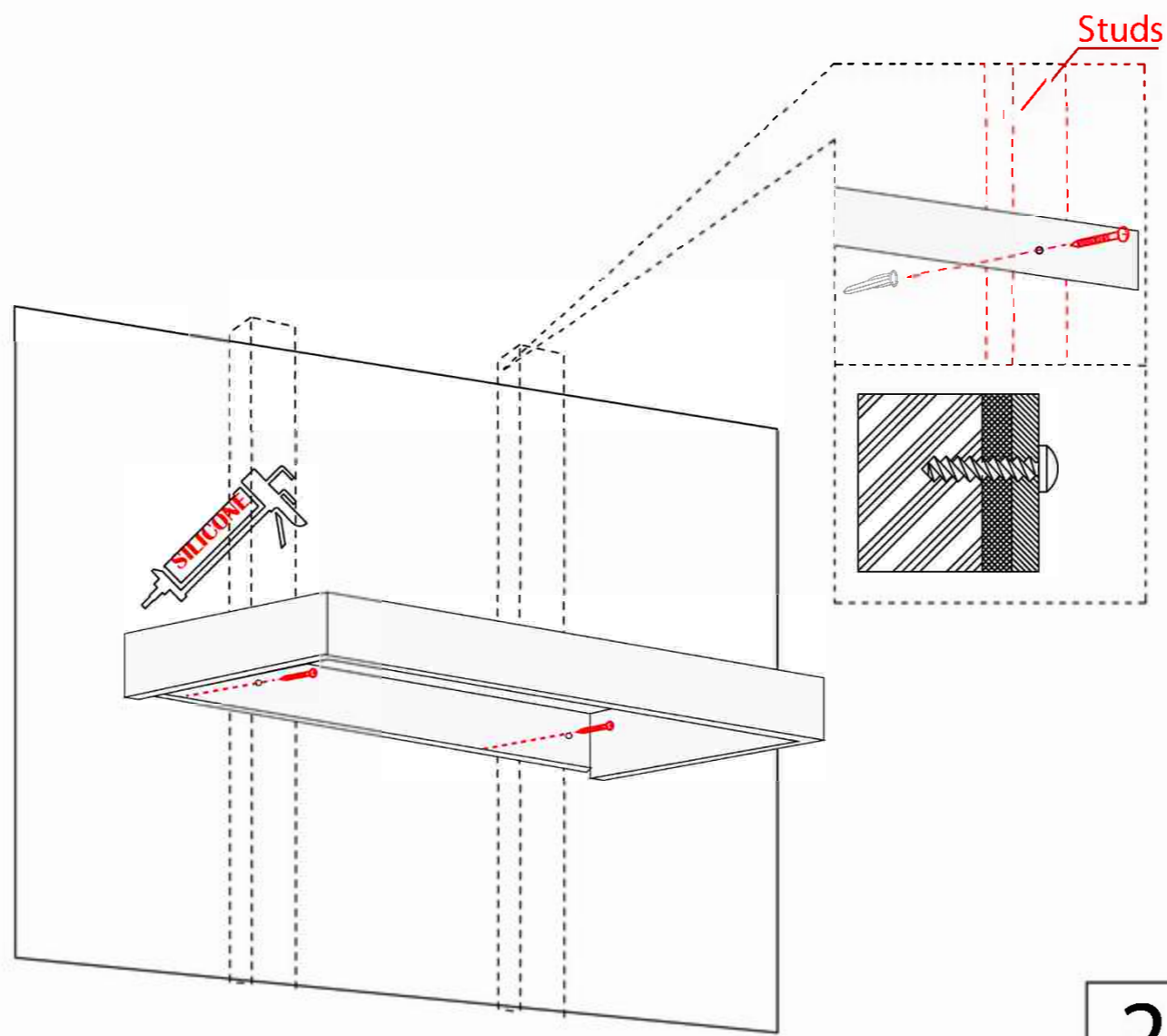
Make sure to apply the silicone sealant to the back of the sink. Pre-drill two screw holes to make sure the sink is installed safer and more stable on the wall.



1



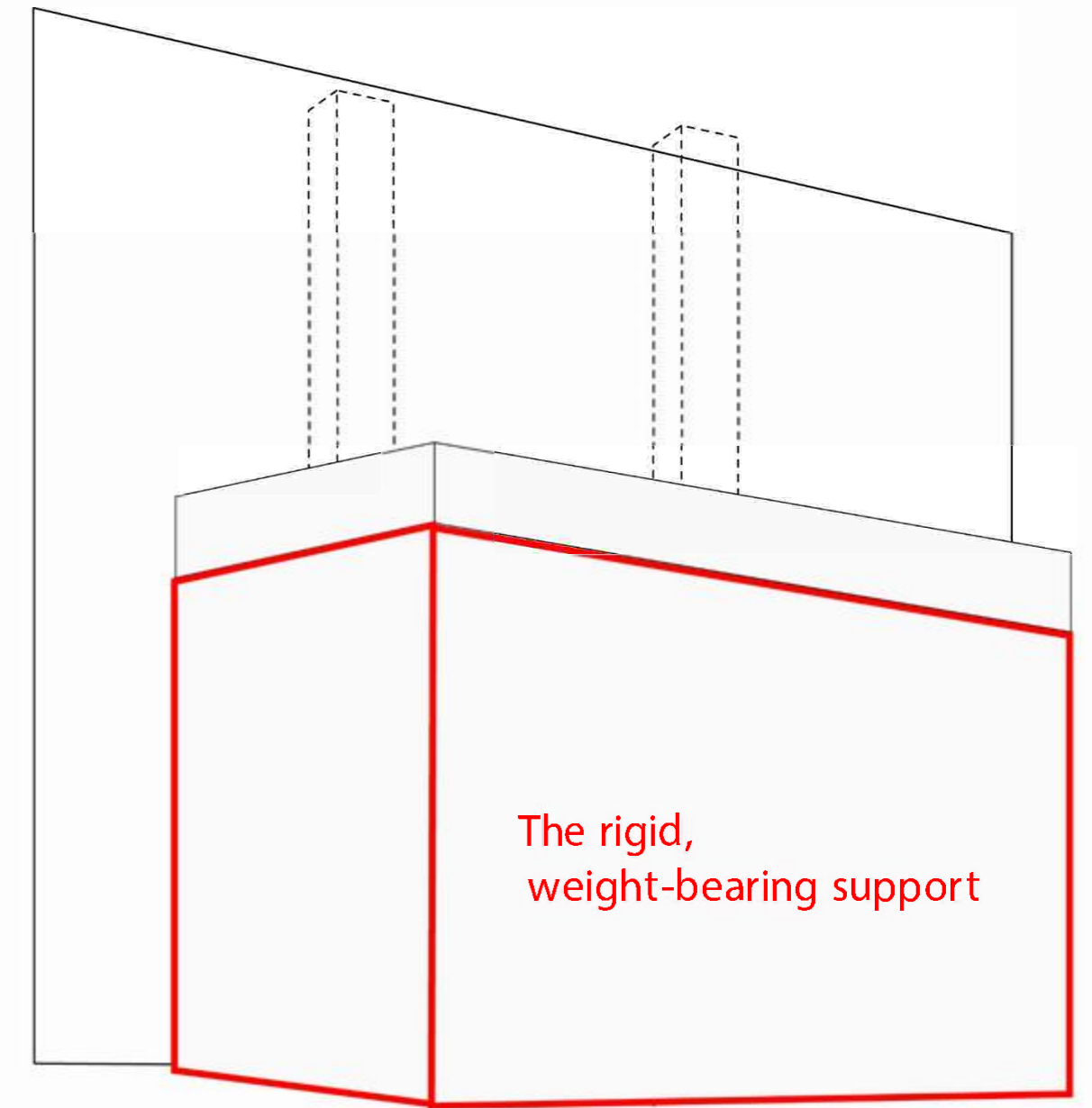
Apply the silicone sealant around your new sink and remove excess sealant. Fasten the sink to the wall with dryscrews which can make your sink safer and more stable.



2

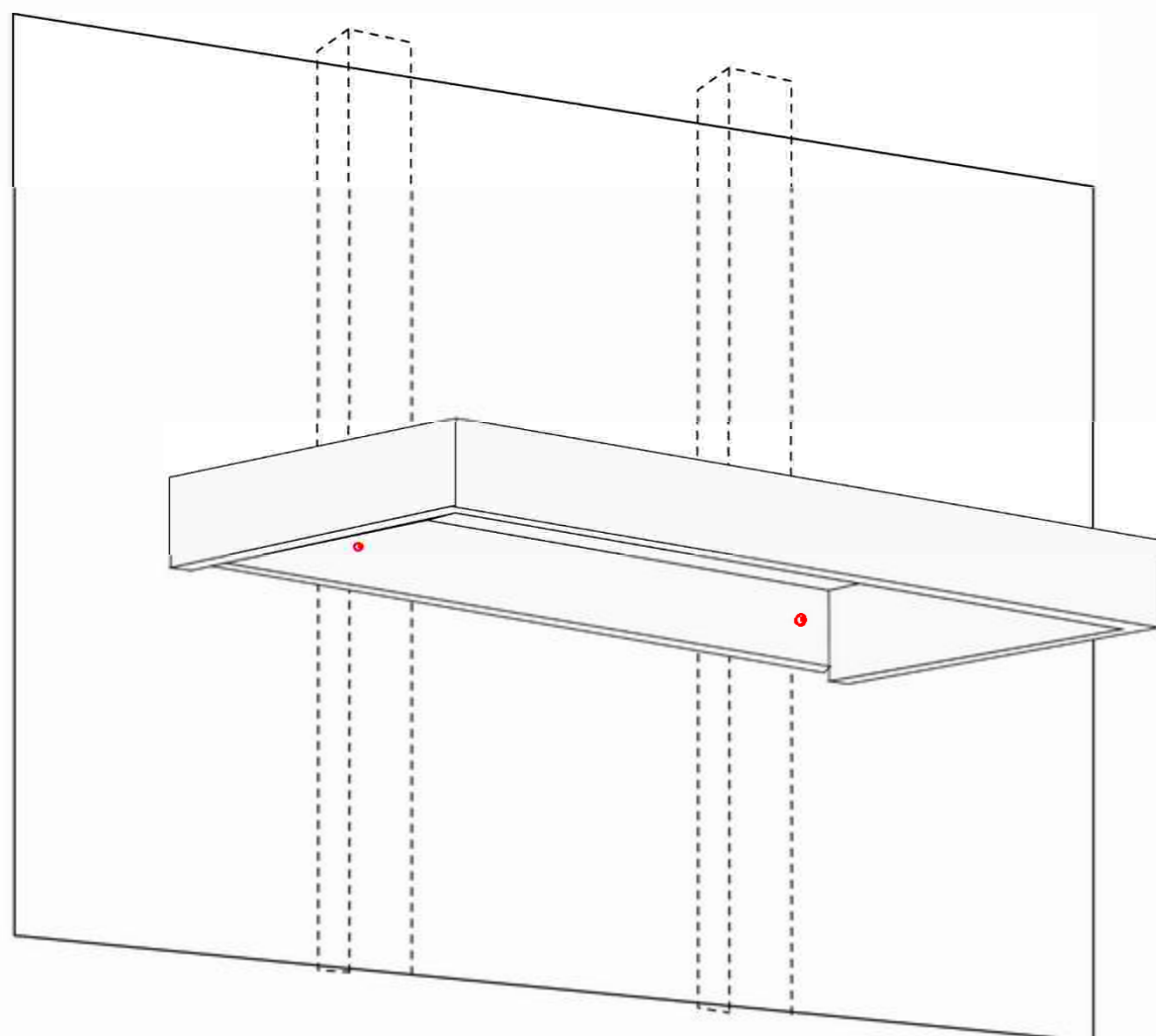


Place a rigid, weight-bearing support under the sink, keep it in place for at least 12 hours, and then remove it.



3

Completed!



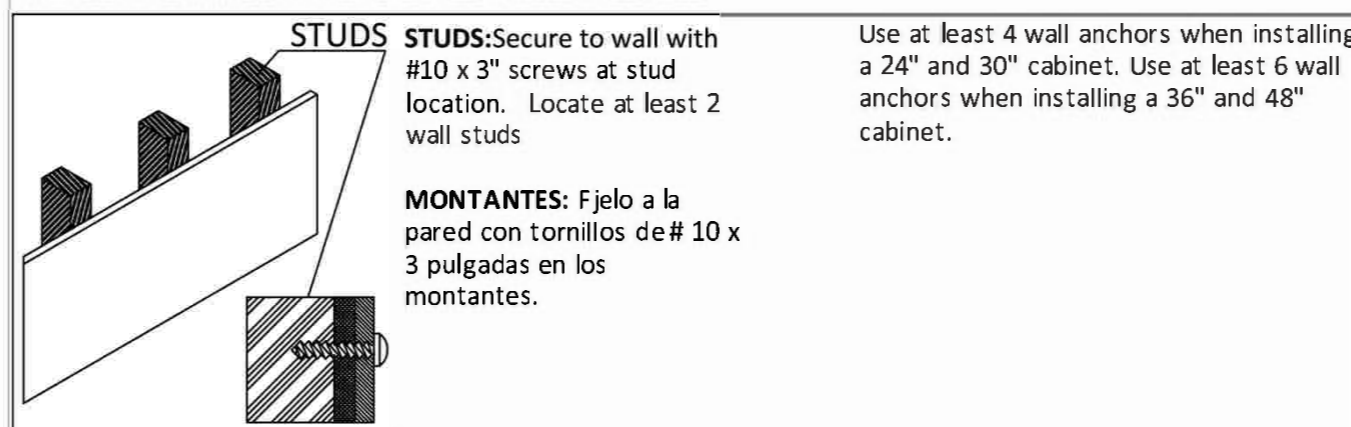
4

## WALL CABINET INSTALLATION

**STEP 1: SELECT HARDWARE THAT IS BEST SUITED FOR YOUR WALL TYPE**  
 IMPORTANT: USE "PAN HEAD" OR "ROUND HEAD" SCREWS WITH SEAT WASHERS. SEAT SCREWS TIGHTLY AGAINST BACK RAIL OR PANEL WITHOUT DRIVING INTO BACK RAIL OR PANEL MATERIAL.

**PASO 1: INSTALACION DE GABINETES, SELECCIONE LA HERRAJERIA QUE MAS SE ADECUA AL TIPO DE SU PARED.**

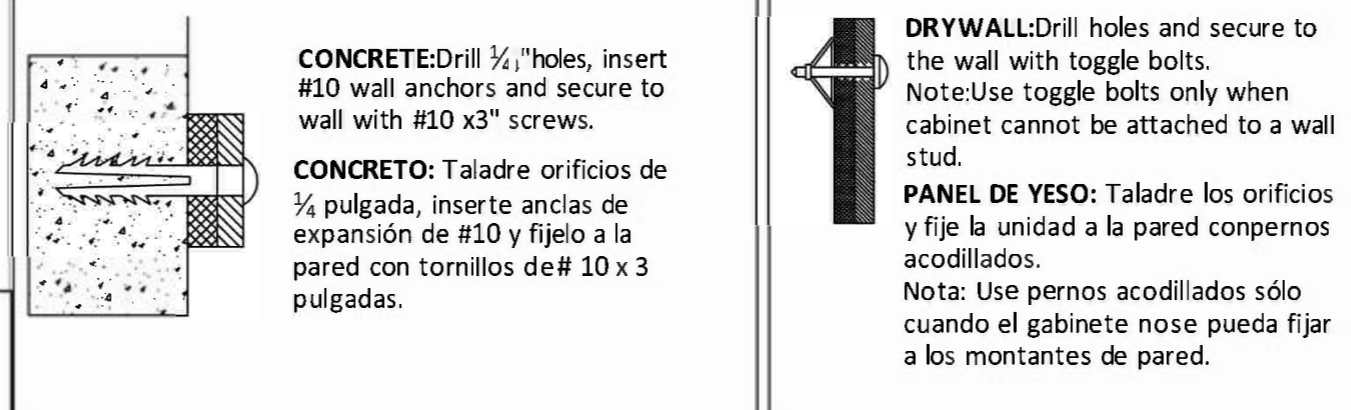
IMPORTANTE: USA TORNILLOS DE "CABEZA PLANA BISELADA" O "CABEZA REDONDA" CON ARANDELAS DE ASENTAMIENTO. COLOCA LOS TORNILLOS FIRMEMENTE CONTRA EL PANEL O EL RIEL TRASERO SIN INSERTARLOS EN EL PANEL O EL RIEL.



**STUDS:** Secure to wall with #10 x 3" screws at stud location. Locate at least 2 wall studs

Use at least 4 wall anchors when installing a 24" and 30" cabinet. Use at least 6 wall anchors when installing a 36" and 48" cabinet.

**MONTANTES:** Fijelo a la pared con tornillos de # 10 x 3 pulgadas en los montantes.



**CONCRETE:** Drill 1/4" holes, insert #10 wall anchors and secure to wall with #10 x 3" screws.

**CONCRETO:** Taladre orificios de 1/4 pulgada, inserte anclas de expansión de #10 y fíjelo a la pared con tornillos de # 10 x 3 pulgadas.

**DRYWALL:** Drill holes and secure to the wall with toggle bolts. Note: Use toggle bolts only when cabinet cannot be attached to a wall stud.  
**PANEL DE YESO:** Taladre los orificios y fije la unidad a la pared con pernos acodillados. Nota: Use pernos acodillados sólo cuando el gabinete nose pueda fijar a los montantes de pared.