

Features

- Fixture-mount design.

Material

- Durable brass construction.
- Chloramine resistance on all rubber components exposed to waterway.

Technology

- Non-hold open piston technology for accurate activation.

Installation

- Intended for urinal installations with 3/4" top spud coupling connection.
- Includes vacuum breaker and control stop.
- Self-cleaning brass piston prevents clogging and reduces maintenance.

Recommended Products/Accessories

K-23723 Faucet cleaner



ADA

CSA B651

OBC

Codes/Standards

ASSE 1037/ASME A112.1037/CSA B125.37
EPA WaterSense®
ADA
ICC/ANSI A117.1
CSA B651
OBC

KOHLER® One-Year Limited Warranty

See website for detailed warranty information.

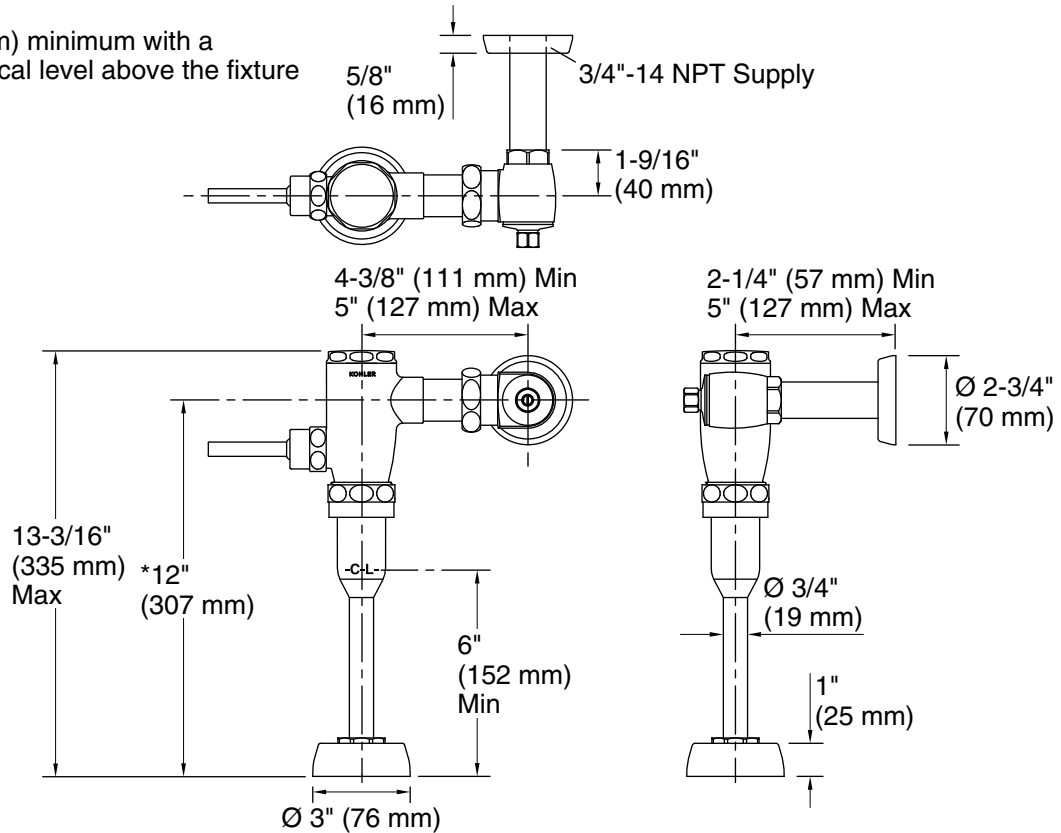
Available Colors/Finishes

Color tiles intended for reference only.

Color	Code	Description
-------	------	-------------

	CP	Polished Chrome
--	----	-----------------

*10-3/4" (273 mm) minimum with a
6" (152 mm) critical level above the fixture



Technical Information

All product dimensions are nominal.

Fixture pressure max 80 psi (551.6 kPa)
(static):

Pressure and Supply Requirements

Fixture pressure min 25 psi (172.4 kPa)
(static):

Fixture Supply Requirements

Min static pressure: 25 psi (172.4 kPa)
Max static pressure: 80 psi (551.6 kPa)
Min flowing pressure: 25 psi (172.4 kPa)
Min flow rate: 9 gpm (34.1 lpm)

Notes

Install this product according to the installation guide.

ADA, OBC, CSA B651 compliant when installed to the specific requirements of these regulations.