

CURTAIN FABRICS

USER GUIDE



CONTENTS

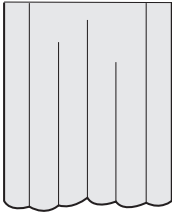
A	SPECIFICATION	1
---	---------------	---

B	INSTALLATION OF CURTAIN FABRIC	
	B-1. Track	2-5
	B-2. Roman Rod	6-7

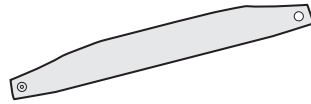
A. SPECIFICATION

PanelSize (Set of 2)	PackageSize	PackageWeight
W50" x H108"	19.7" x 42.5"	11.5lb
W50" x H120"	19.7" x 47.2"	12.5lb
W60" x H108"	23.6" x 42.5"	13.5lb
W60" x H120"	23.6" x 47.2"	15lb
W72" x H108"	28.3" x 42.5"	16lb
W72" x H120"	28.3" x 47.2"	18lb

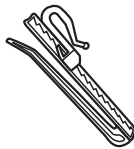
PACKAGE INCLUDES:



Curtain Fabrics(L) x 2pcs



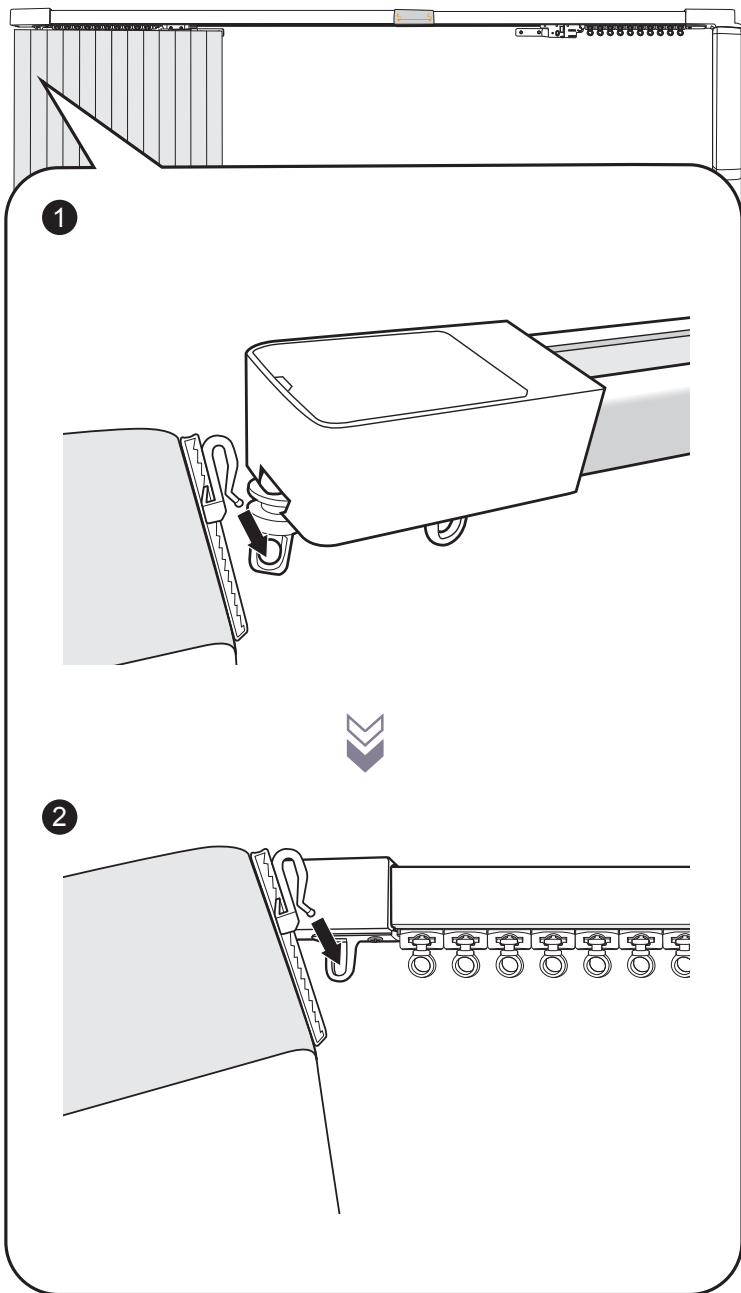
Curtain Tiebacks(M) x 2pcs

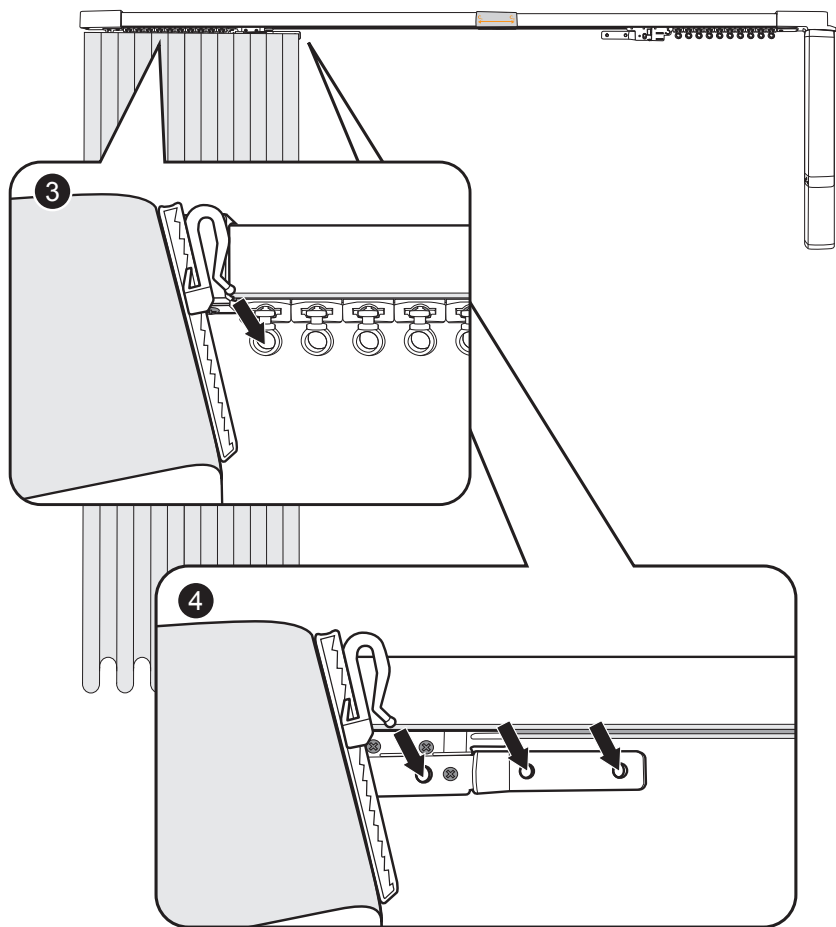


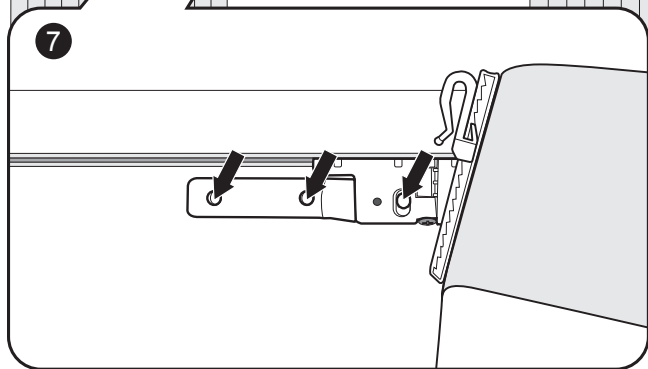
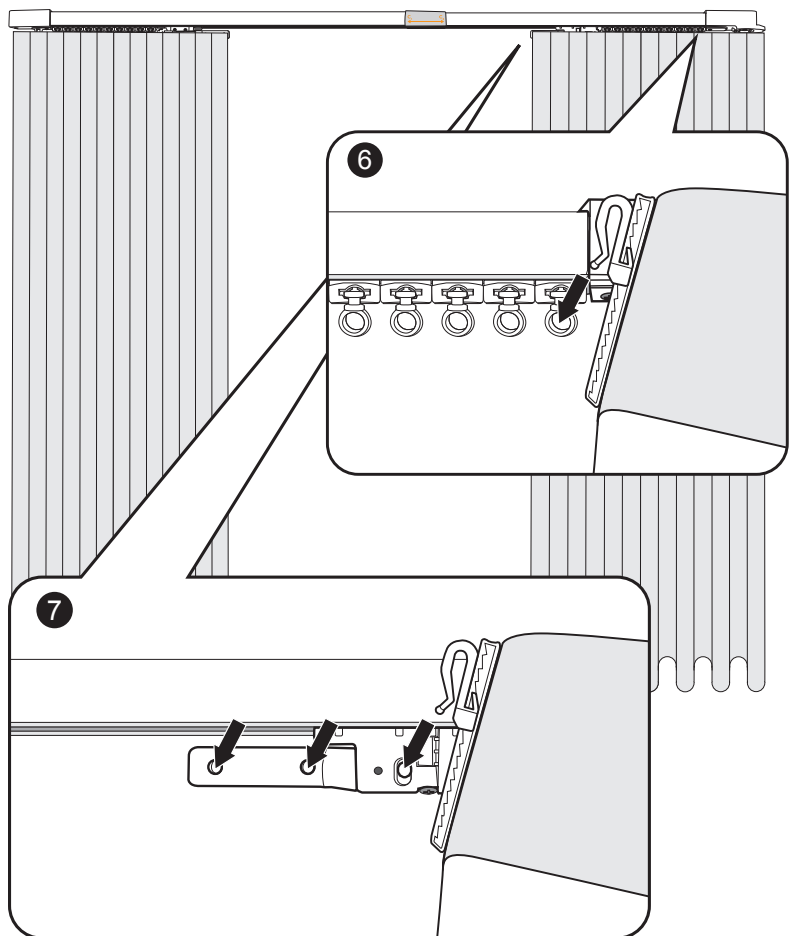
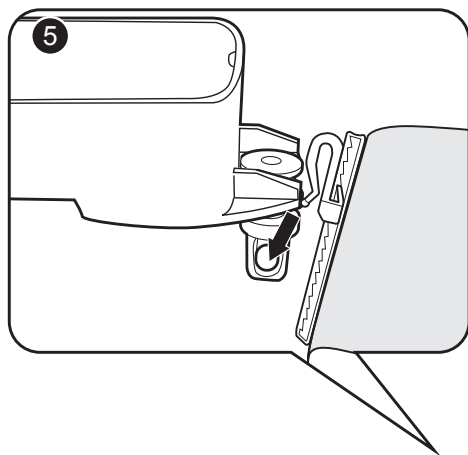
Adjustable Curtain Hooks(A) x 14-20pcs

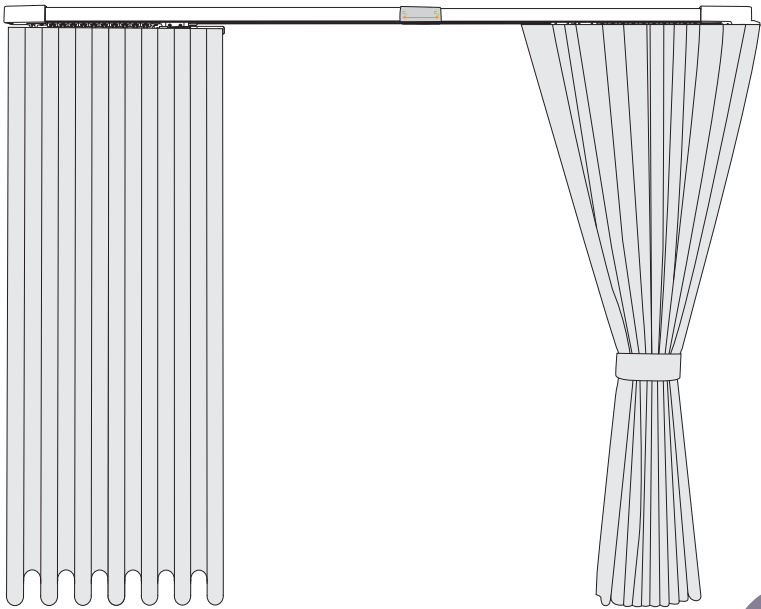
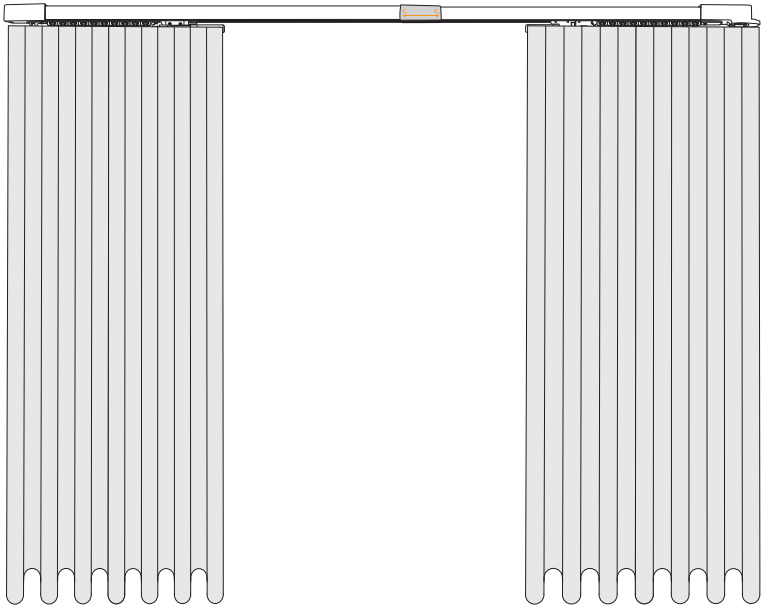
B. INSTALLATION OF CURTAIN FABRIC

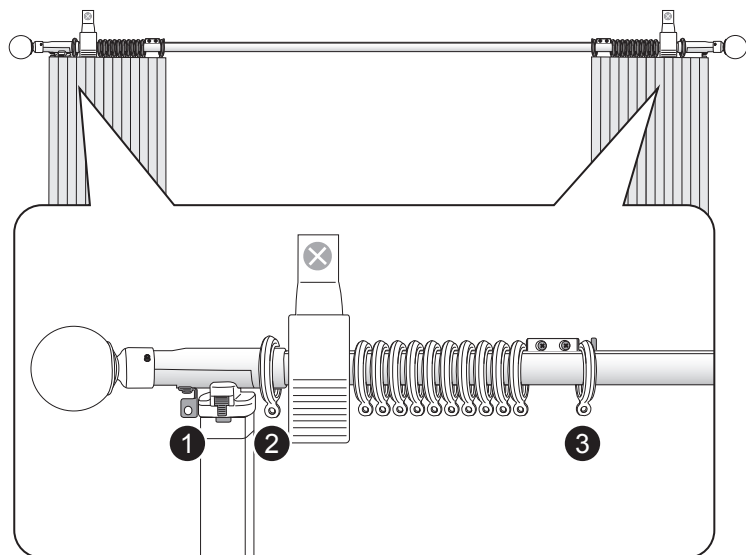
B-1 TRACK



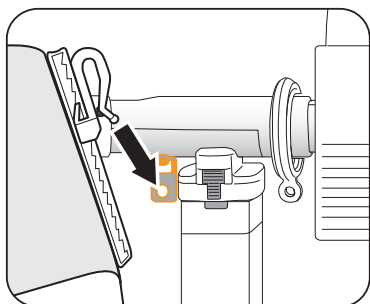




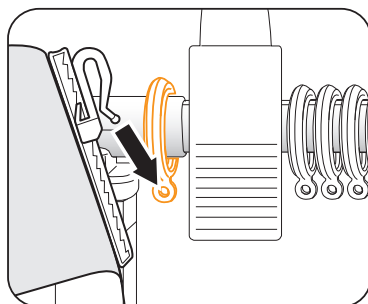


B-2 ROMAN ROD

1



2



3

