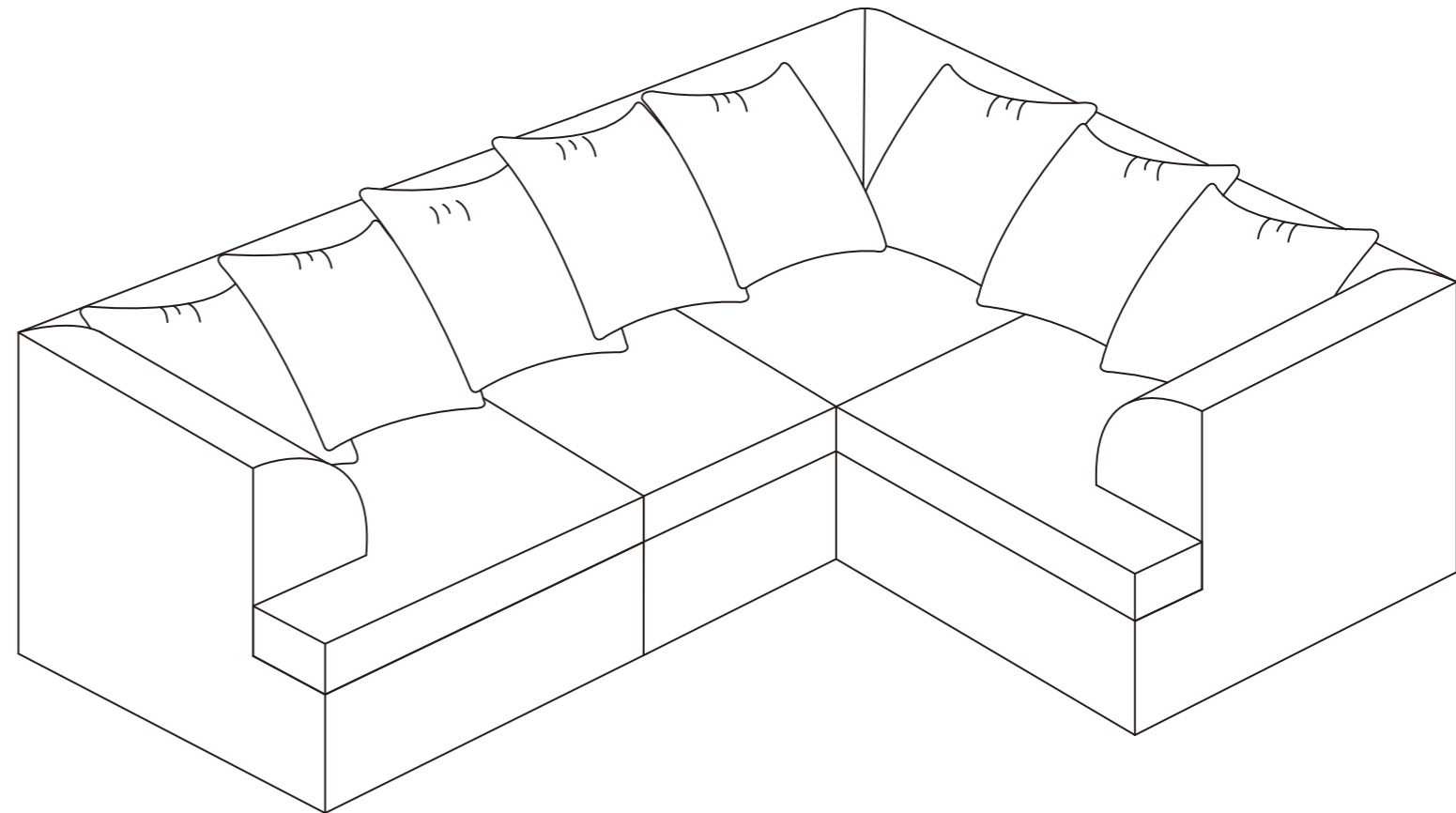


Sofa

Assembly Instruction – Please keep properly for future reference.

If you find any missing boxes, damaged parts, or accessory shortages, please contact the customer service team of your purchasing channel immediately. We will resolve the issue as quickly as possible.



EN

THE FOLLOWING INFORMATION:

- Order number
- Purchase platform
- Purchase date
- Detailed description of the issue along with photos (if applicable)

Important – Please read these instructions carefully before starting the installation.

Before Assembly



Thank you for choosing our product!

To ensure a smooth installation process, please read this guide carefully to familiarize yourself with the required tools, materials, and installation steps.

Follow the relevant sections to avoid any damage caused by improper installation, and make sure to review all operation and safety guidelines for correct installation procedures.

Packaging Notice:

1. Multi-Box Shipping Notice

This product is packaged in 2 separate boxes for shipping and may arrive in batches at different times. To ensure a smooth assembly process, please make sure all boxes are received before unpacking and starting the installation.

2. Box and Packaging Verification

Each box is labeled with a corresponding number. Please refer to the packing list on the next page of this manual to verify that all boxes have been received.

If you find any missing boxes, damaged parts, or accessory shortages, please contact the customer service team of your purchasing channel immediately. We will resolve the issue as quickly as possible.

Installation Information

- All information in this guide is based on the product's condition at the time of printing. We reserve the right to modify product features, packaging, or availability without prior notice.
- Before installing the furniture, ensure that all necessary electrical or environmental preparations are completed.
- This manual contains important instructions on installation, cleaning, and maintenance. Please read it thoroughly and keep it for future reference.

Pre-Installation Checklist

1. Carefully inspect the new product for any damage or defects.
2. Ensure installation is carried out on a clean, flat surface to maintain balance and stability.

3. Avoid prolonged exposure of the product to damp environments or direct sunlight.
4. Handle with care during installation. Use protective materials (e.g., soft pads) to prevent scratches.
5. For any questions or technical support, refer to the customer service guide and contact the seller's customer service.

Usage and Maintenance Recommendations

1. Clean furniture regularly to maintain hygiene and prevent bacteria growth. Use a damp cloth that has been wrung out to avoid scratching the finish.
2. Avoid contact with acidic or alkaline corrosive liquids.
3. Do not use unauthorized replacement parts. For replacement parts, contact the manufacturer or distributor.
4. Do not machine wash or rinse any part of this product with water.



Safety Warnings

1. Warning Labels:

Do not remove warning labels on the product or packaging, and always follow the related instructions.

2. Regular Inspections:

Regularly check all parts of the product to ensure they are correctly installed, undamaged, and all connectors are securely tightened.

3. Safe Use:

Do not play on or under the sofa, and strictly avoid jumping or any actions that may harm the sofa or users.

4. Rope Hazard:

Do not attach ropes, hooks, straps, or other unintended items to any part of the product.

5. Guide Preservation:

Retain this manual for future reference.

6. Supervisory Responsibility:

Safety is a shared responsibility between the manufacturer and the user. Always adhere to safety guidelines when using the product.

Disclaimer

We are committed to providing safe and reliable products. If you have any questions about this product or require additional support, please contact our customer service team. We are here to assist you.

Customer Service Guide



Thank you for choosing our product! We are committed to providing you with excellent service. If you find any missing parts, damaged packaging, or product damage after receiving all packages, please follow the steps below to quickly contact our customer service team. We will do our best to resolve your issue.

1. Missing Parts

Verify Parts:

1. Refer to the “Parts List” in the manual to verify the name, specifications, and quantity of the missing parts.
2. Take a clear photo of the parts list and mark the missing parts with detailed information, e.g., “Missing 5 pieces of M6×30mm screws.”

Contact Us:**By Email:**

Send an email to us, with the subject line “Missing Parts Issue.” Include the following in the email:

- A description of the missing parts and a photo of the parts list.
- Order details (order number, purchase platform, purchase date).

2. Product or Packaging Damage

If it affects normal use:**Steps:**

1. Take clear photos or videos showing the damaged parts and the extent of the damage (multi-angle shots are recommended).

2. Email the photos/videos along with order details to us, with the subject line “Product Damage Issue.”

Resolution:

After verification, we will arrange for a replacement part, product exchange, or refund as quickly as possible.

If it does not affect normal use:**Steps:**

1. Contact our customer service team.
2. Provide a description of the damage and include relevant photos or videos.

Resolution:

We will provide repair guidance or an appropriate compensation plan based on the specific situation.

Helpful Tips

To process your issue efficiently, please prepare the following information:

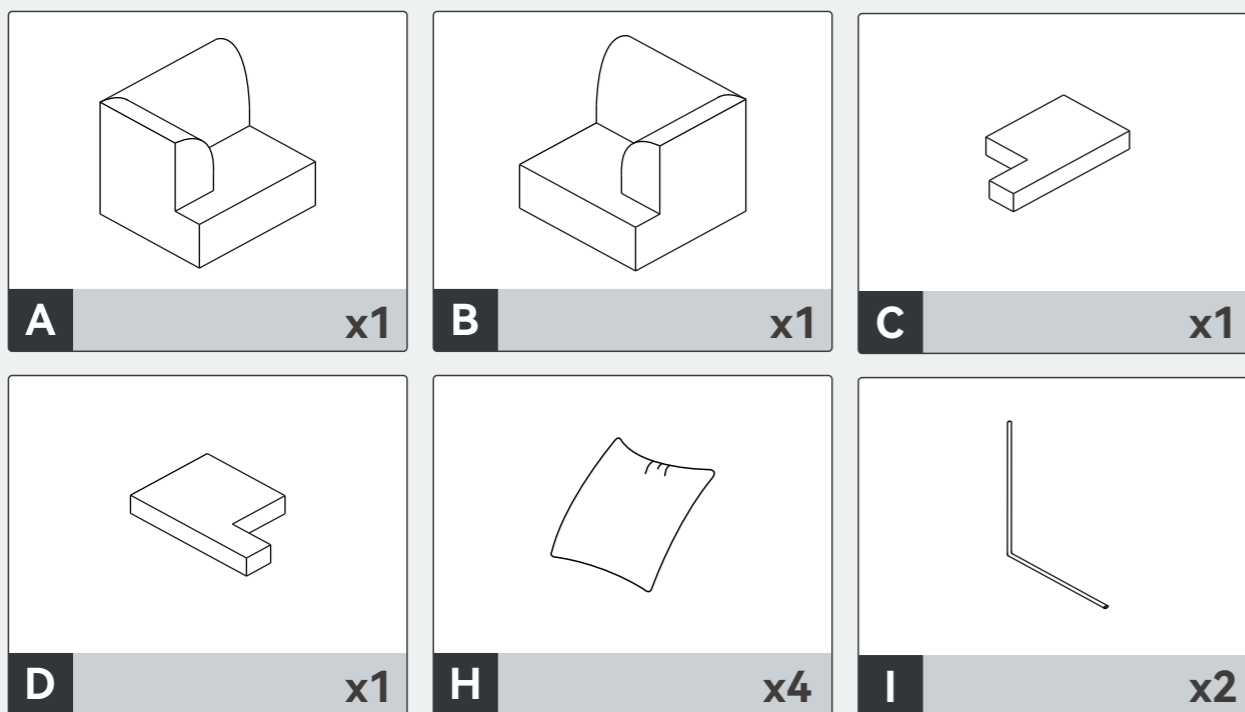
- Order details (order number, purchase platform, purchase date).
- Clear photos or videos.
- We are committed to providing quick and professional solutions, no matter the size of the issue, to ensure your satisfaction.

**Thank you for your trust and support!
We hope you enjoy using our product!**

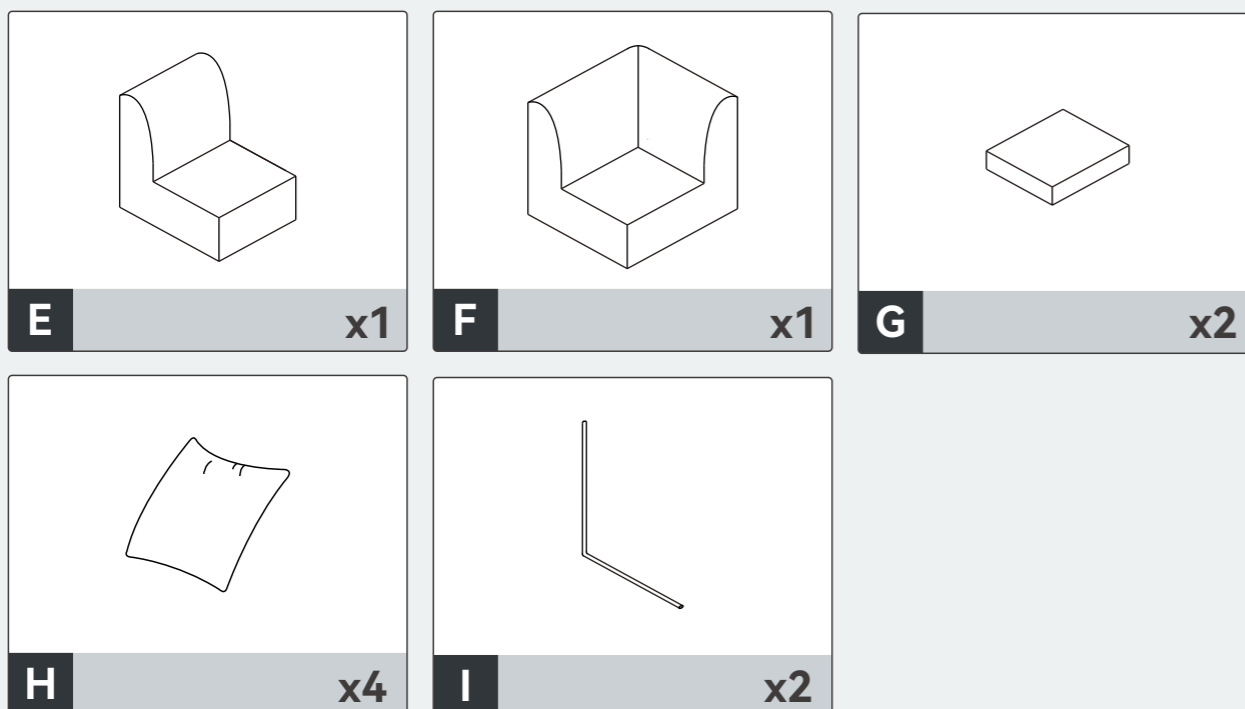
Parts List



Box 1



Box 2



Safety and Care Advice



Important:

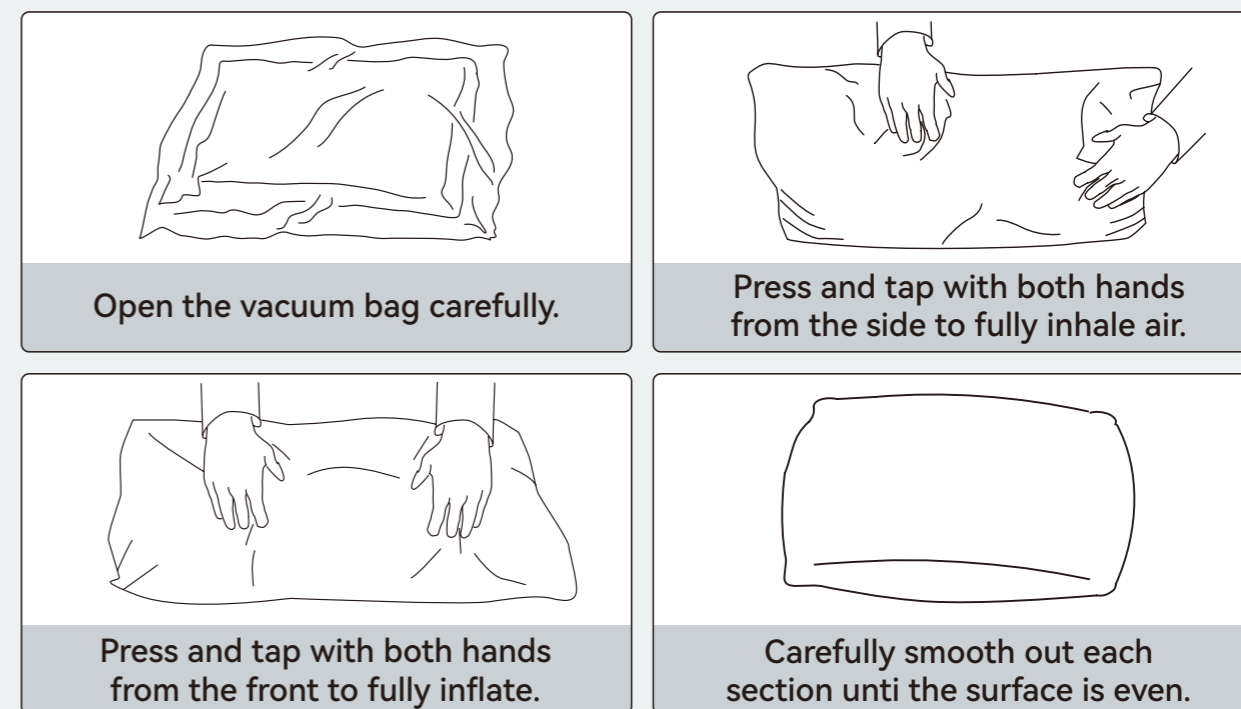
Please read these instructions fully before starting assembly.

Thanks for your purchase.

Before assembling, please follow the instructions to check if all the spare parts and screws are intact.

- Considering the size and weight of the sofa, we recommend one adult to assemble the sofa, on a carpeted or padded area, in the room that it is intended for. Approximate assembly time: 30 minutes.
- Please do not throw away any of the packaging or the instruction until all the components and hardware have been checked and the furniture is fully assembled. Please ensure that the packaging is disposed in a safe and environmentally friendly way.
- Keep all components and packaging out of reach of children or animals to avoid the risk of choking or suffocation.
- Please do not take off the cover, and do not wash.

Your cushions come vacuum packed and sealed for shipping. To restore the cushion's original shape, follow the steps below.



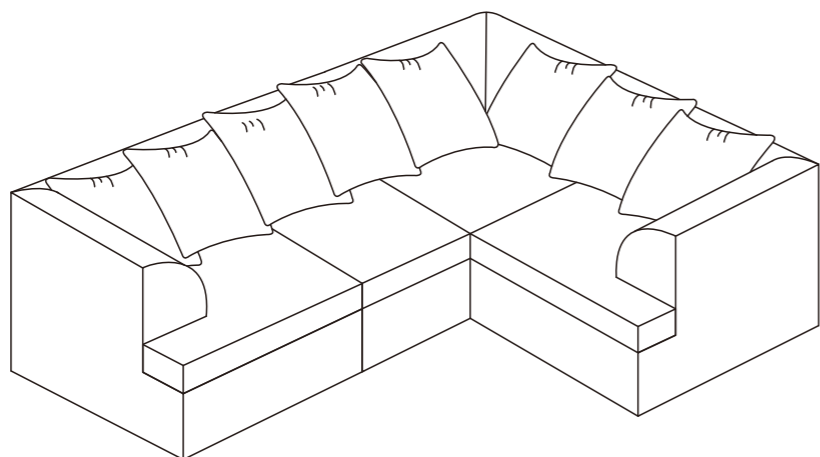
After packing up, place them somewhere dry and ventilated.

After about 72-96 hours, it can be restored to the best-use condition.

Assembly Instructions



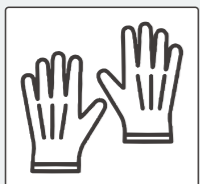
Important : Please read these instructions fully before starting assembly.



Note :

Delivered with **TWO PACKAGES** with **TWO TRACKINGS**, may **NOT** be delivered at the same time.

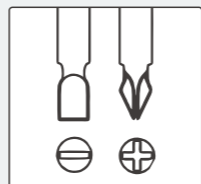
Before starting assembly, determine where the sofa will be placed and the orientation you want it to be.



Work gloves



Tape measure



Other Tools Required
Phillips Screwdriver
(Not Included)

Simple Assembly Steps

1. Read the manual carefully.
2. Check all parts and hardware.
3. Prepare necessary tools.

Please follow the instructions and use a sanitary napkin to protect the product during your assembly process.

Note:

1. The assembly should be done on a flat surface to maintain balance.
2. Do not tighten the screws before the assembly is complete.

Unpacking Instructions

<p>1</p> <p>Remove from box</p>	<p>2</p> <p>Cut out white wrapper</p>	<p>3</p> <p>Unroll the mattress</p>	<p>4</p> <p>Remove plastic</p>
<p>5</p> <p>Take out the sofa</p>	<p>6</p> <p>Pat the edge</p>	<p>7</p> <p>Or use a hair dryer to speed up the recovery</p>	<p>8</p> <p>Place the sofa in a ventilated area</p>

Note: The illustration is for reference only; please refer to the actual product for the exact appearance.

1. Open Carefully

Use scissors to cut open the outer box. Do not use a knife to avoid damaging the fabric.

2. Unwrap Compression Bags

Remove all components from their vacuum-sealed bags. Once the seal is broken, the sofa will begin expanding immediately.

Practical Tips for Sofa Rebound:

1. Hot Towel + Hair Dryer Method (For Localized Depressions)

Place a hot towel over the area that hasn't rebounded for a few minutes, then use a hair dryer to blow warm air on it (keep a distance of over 10 cm) to accelerate the rebound.

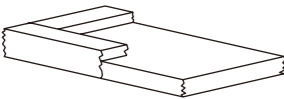
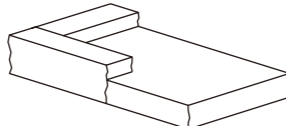
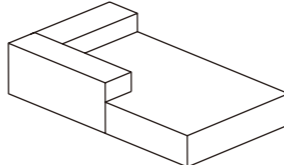
Principle: Heat activates the elastic molecules in the foam, helping air return quickly.

2. Flipping + Even Patting Method

Flip the sofa cushion, seat, or backrest over, then pat each area evenly.

Principle: This prevents weight from being concentrated in one direction, which can cause uneven rebound.

Maintenance Guide for Fully Compressed Sofa

<p>1 90%</p>  <p>After opening the package, the sofa can recover to 90%</p>	<p>2 95%</p>  <p>After 24 hours, the sofa can recover to 95%</p>	<p>3 Fully</p>  <p>After 24 hours to 1 week, the sofa will fully recover</p>
--	---	---

First unpacking and post-care suggestions

1. After unboxing, unfold the sofa immediately

Avoid prolonged compression that may cause permanent deformation of the fabric or filling.

2. Rebound Time & Environmental Impact

Normally, the sofa will restore its original shape within 24–72 hours. The rebound speed may vary slightly due to temperature and humidity.

3. Tips to Accelerate Rebound

Place the sofa in a well-ventilated and warm room;
Gently pat and knead different parts of the sofa to help the foam rebound faster;
Avoid placing heavy objects on the sofa during rebound.

Daily Use and Cleaning

1. Rotate cushions regularly

Helps maintain even shape and prolongs lifespan.

2. Cleaning Methods

Fabric surface: Use a vacuum cleaner or damp cloth for regular cleaning;
For spot stains: Use mild detergent and gently wipe the area;
Do not use bleach or harsh chemicals.

3. Sun & Moisture Protection

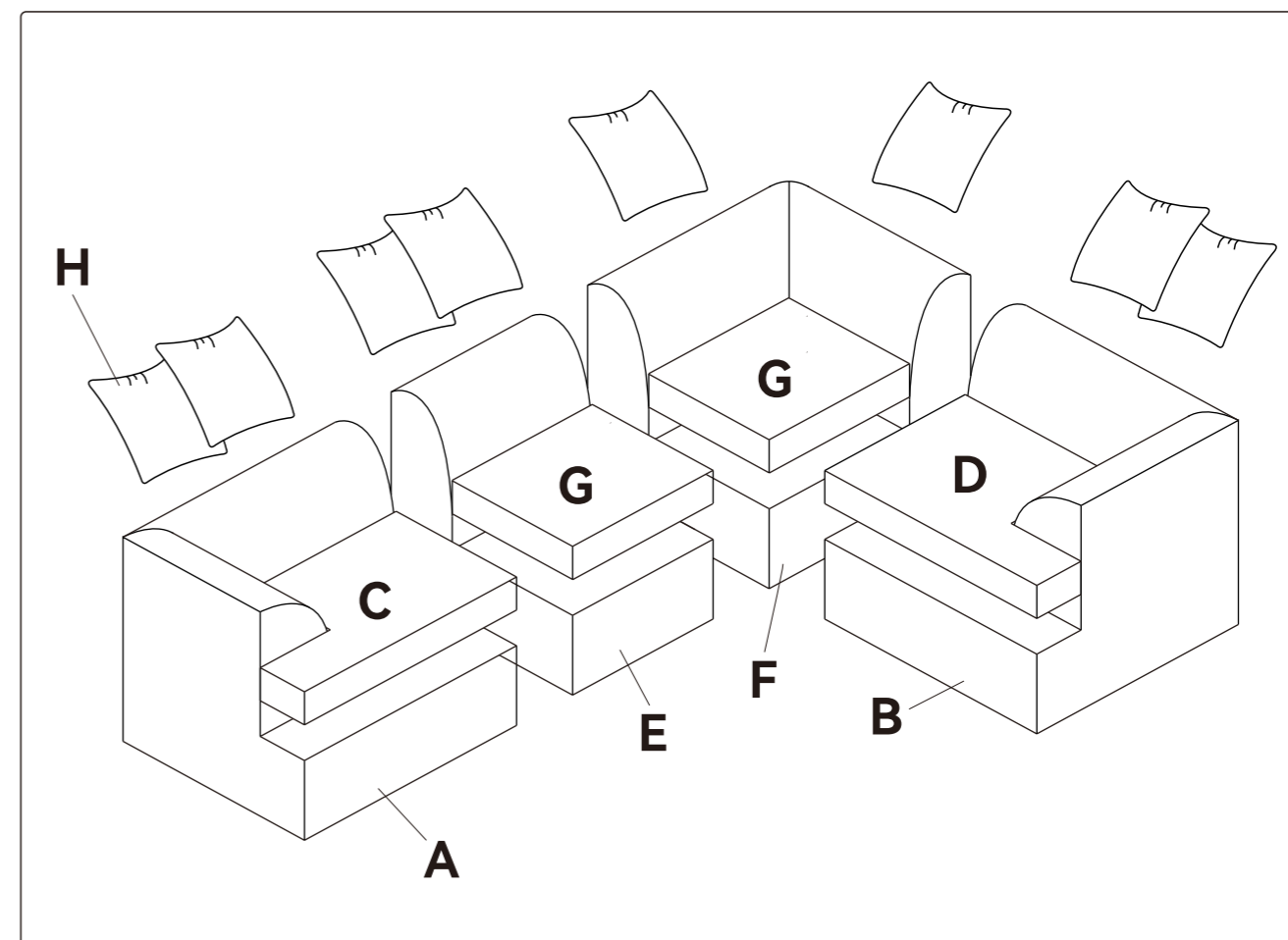
Avoid prolonged sun exposure or damp environments to prevent discoloration, mold, or deformation.

Warnings

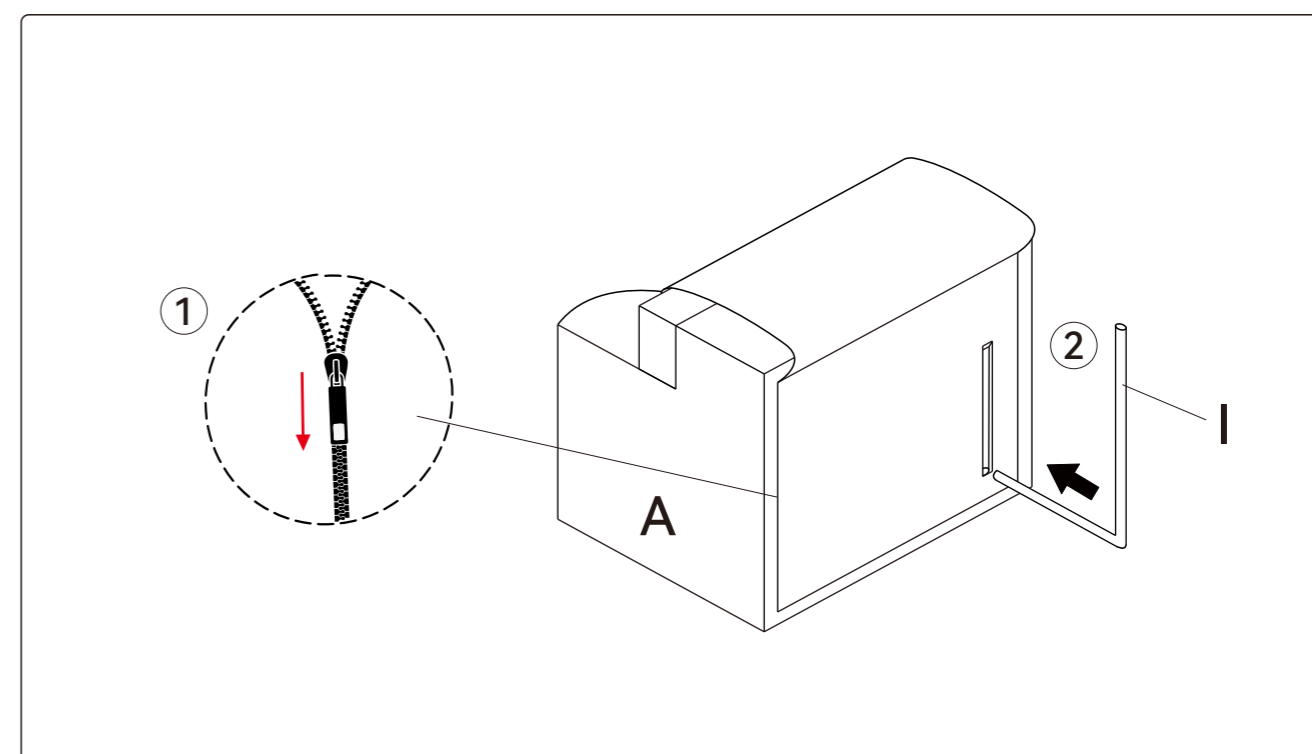
1. This product is designed for indoor use only. Do not place it outdoors.

2. Avoid dragging forcefully during moving to prevent tears or seam damage.

3. For long-term storage, use the original packaging and store in a dry place.

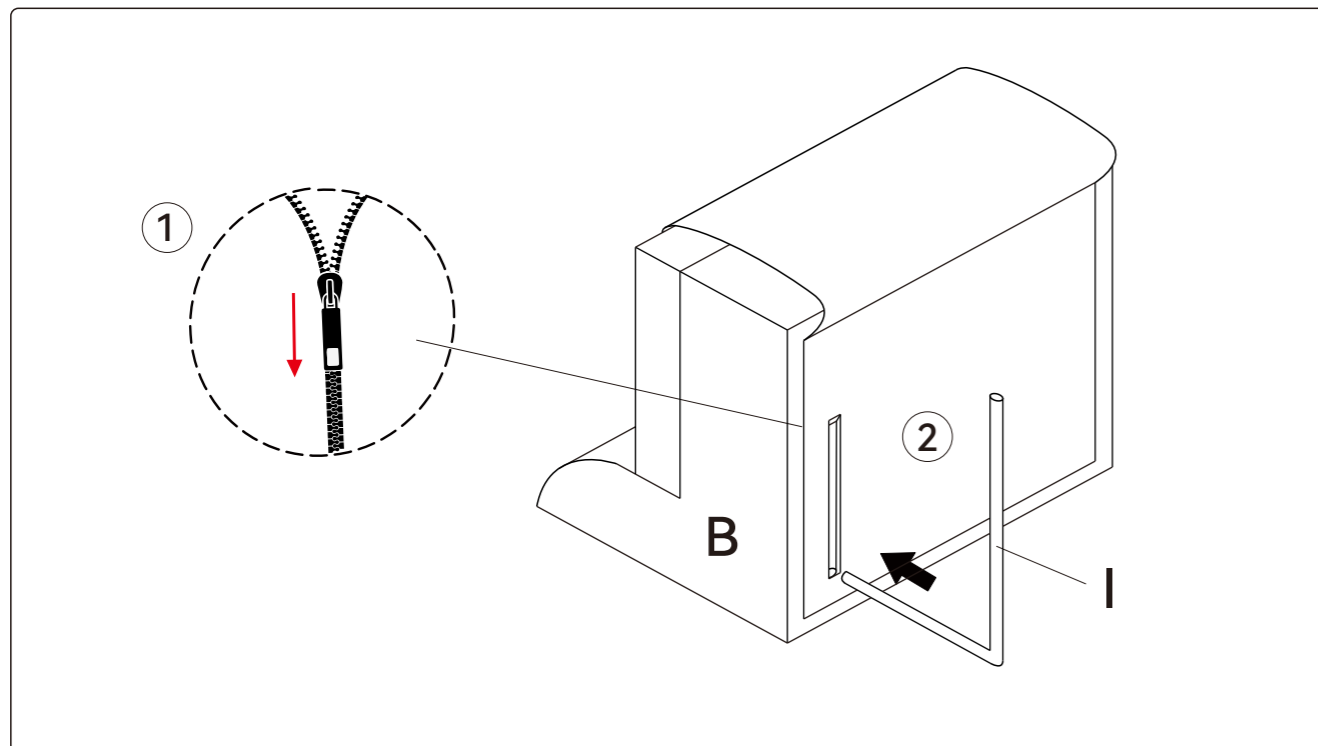


Step 1



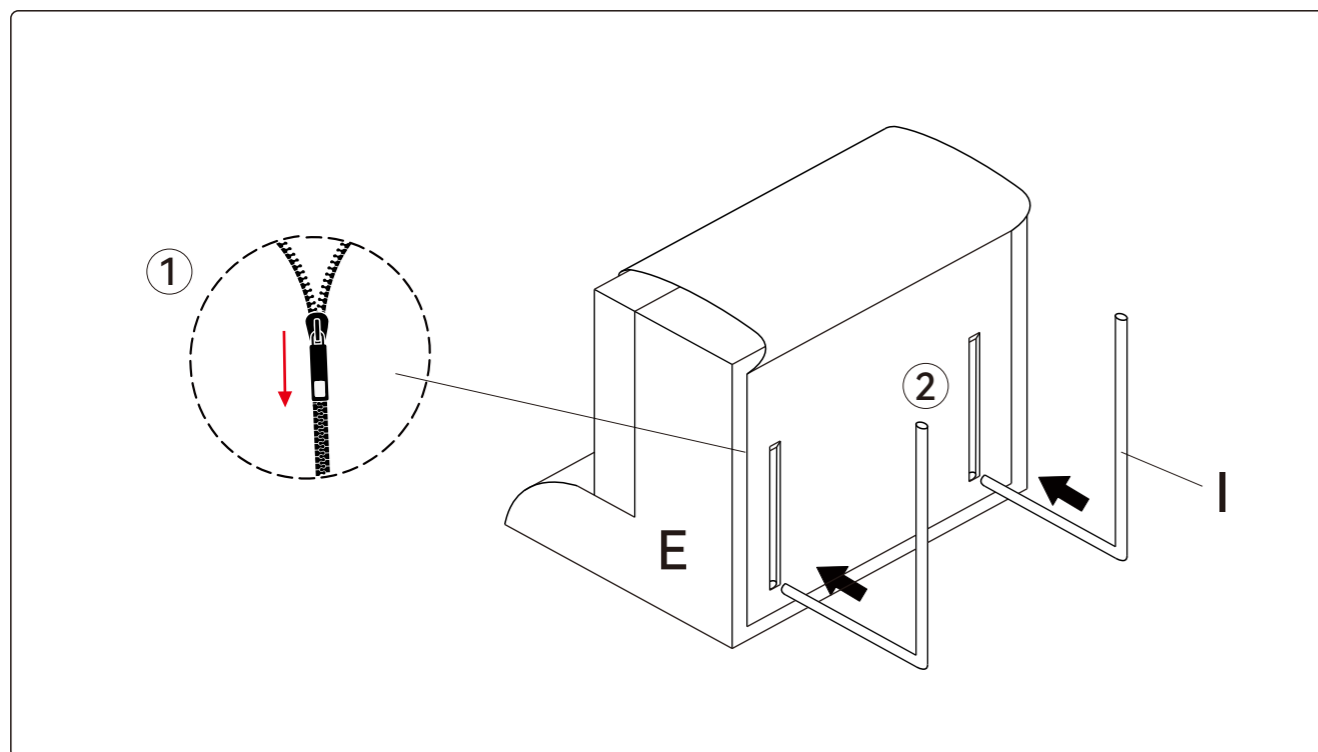
Unzip the bottom of part (A), place part (I) into the pre-cut foam slot at the bottom, then zip up the bottom securely.

Step 2



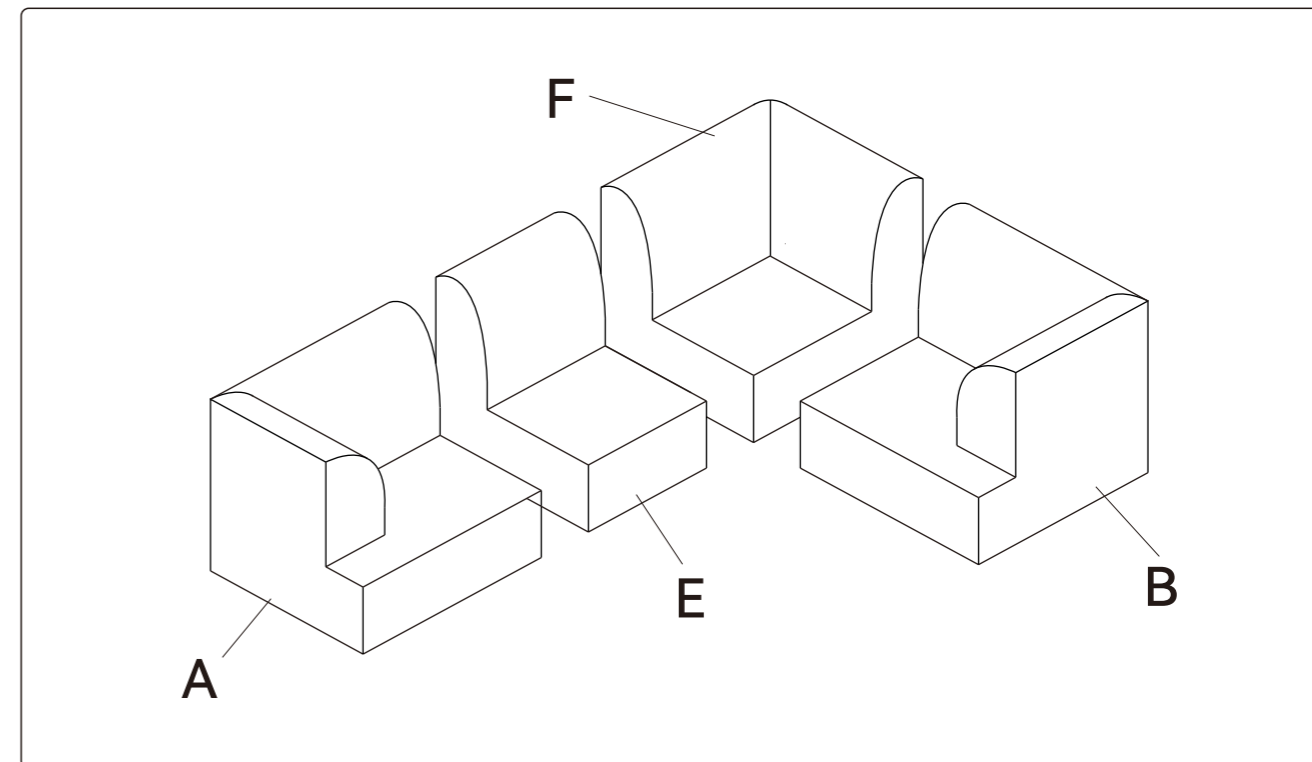
Unzip the bottom of part (B), place part (I) into the pre-cut foam slot at the bottom, then zip up the bottom securely.

Step 3



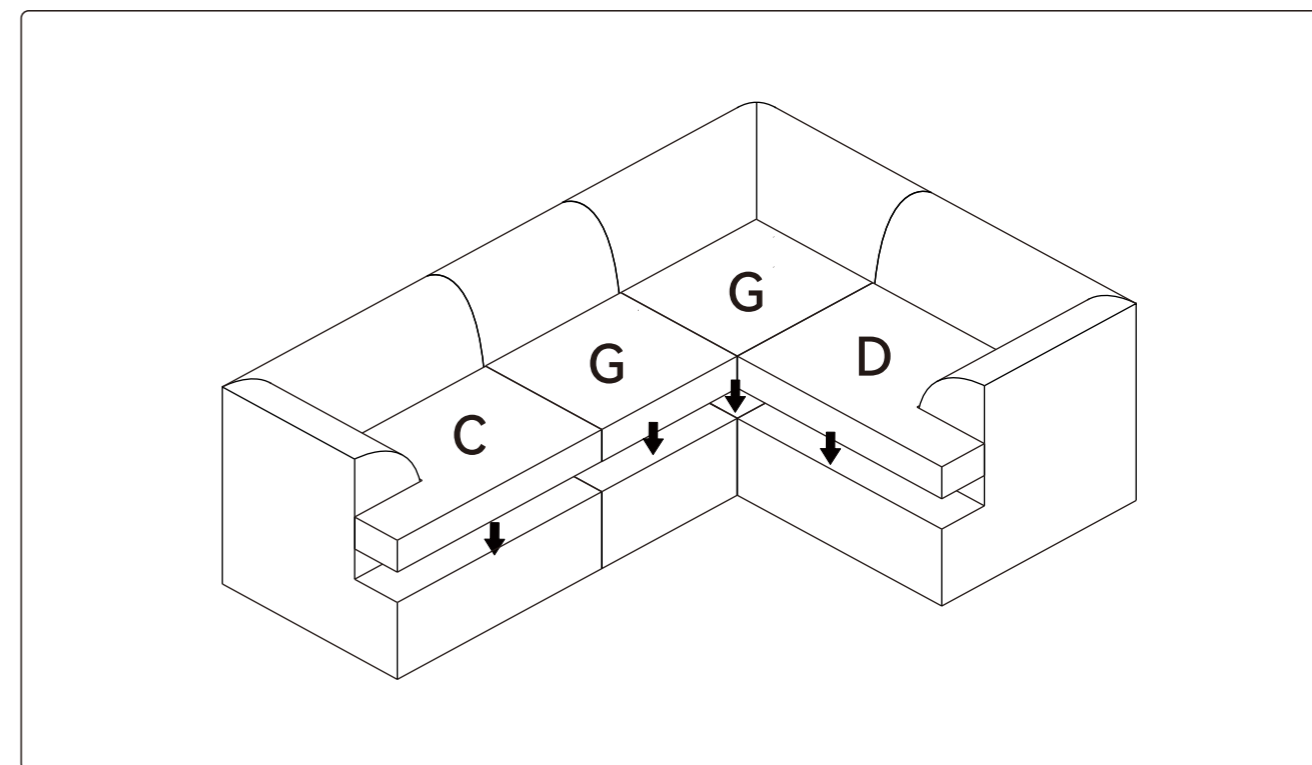
Unzip the bottom of part (E), place part (I) into the pre-cut foam slot at the bottom, then zip up the bottom securely.

Step 4

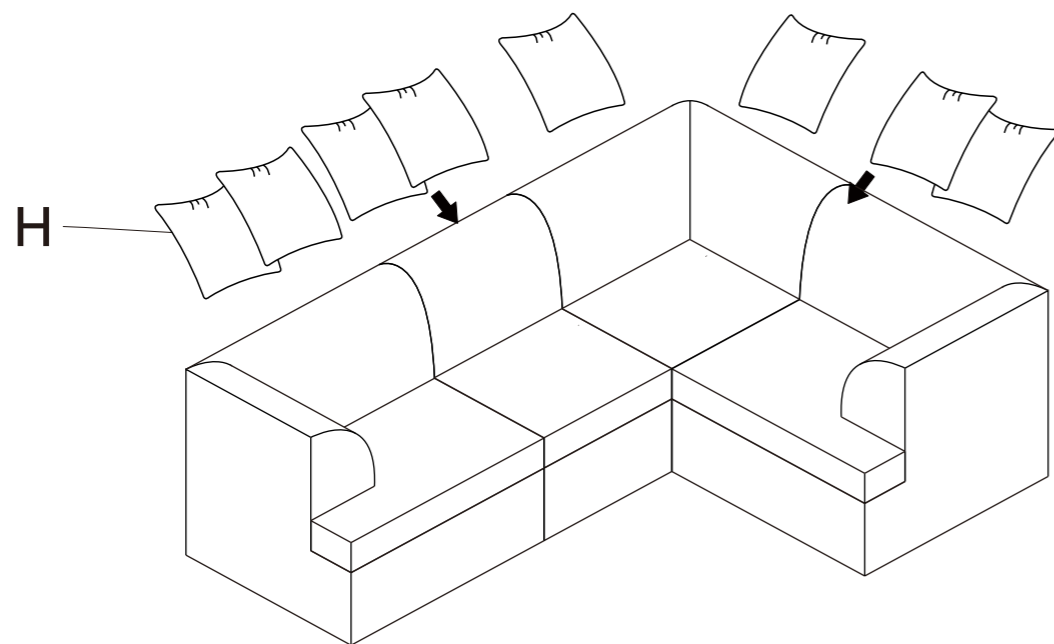


Assemble parts (A), (B), (E), and (F) together as shown in the illustration.

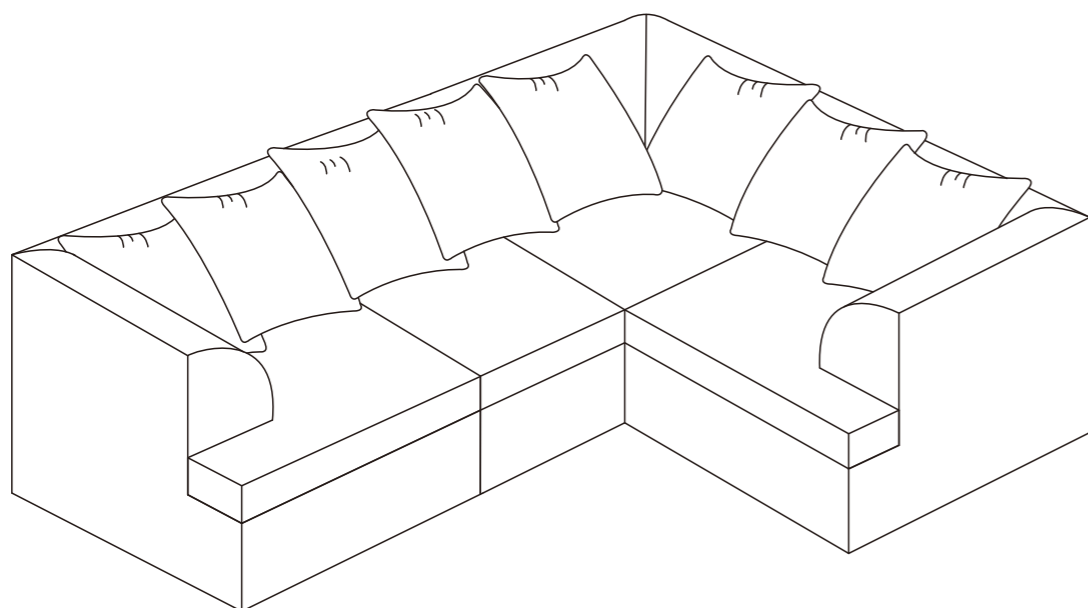
Step 5



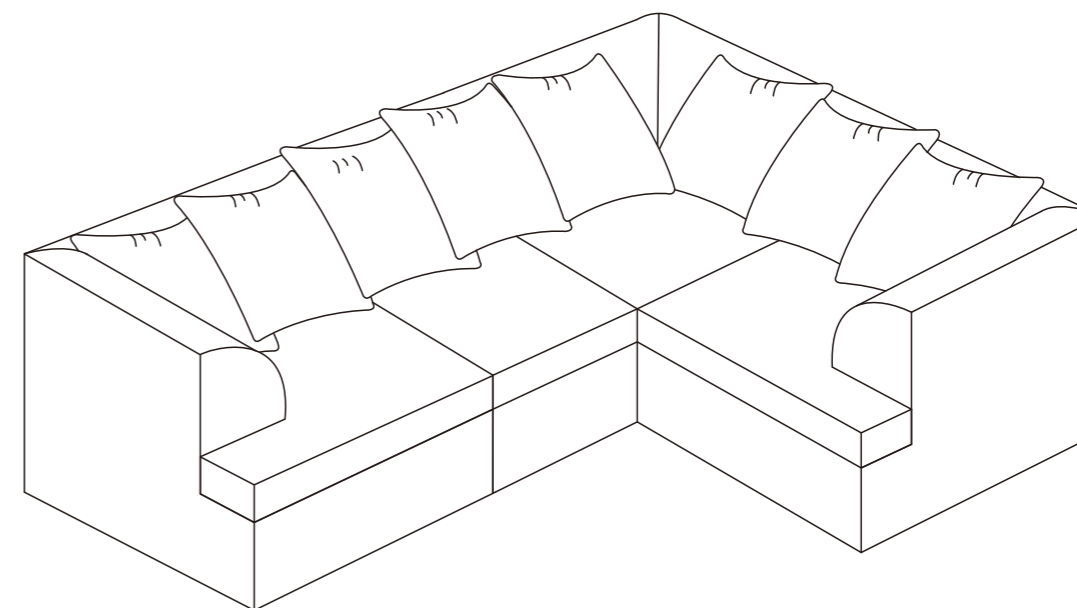
Insert the corresponding seat cushions (C), (D), (G).

Step 6

Insert the back cushions (H), two for each section.

Step 7

Assembly completed.

Maintenance

1. Keep a gap of 0.5-1 cm between the wall part of the sofa and the wall.
2. Avoid direct sunlight, preferably placed in a place that can avoid sunlight, or use translucent tulle curtains to block the sun.
3. Vacuum at least once a week, paying particular attention to removing dust accumulation between fabric structures.
4. Sofa cushions are turned over once a week to evenly distribute wear.
5. If stained, use a clean cloth dipped in water to wipe. In order to avoid leaving marks, it is best to wipe from the periphery of the stain. Velvet furniture should not be dipped in water and should use a dry cleaning agent.
6. All cloth covers and bushings should be dry-cleaned, not washed, not bleached.
7. If you find loose thread, do not tear it with your hand; it is best to cut the thread neatly with scissors.