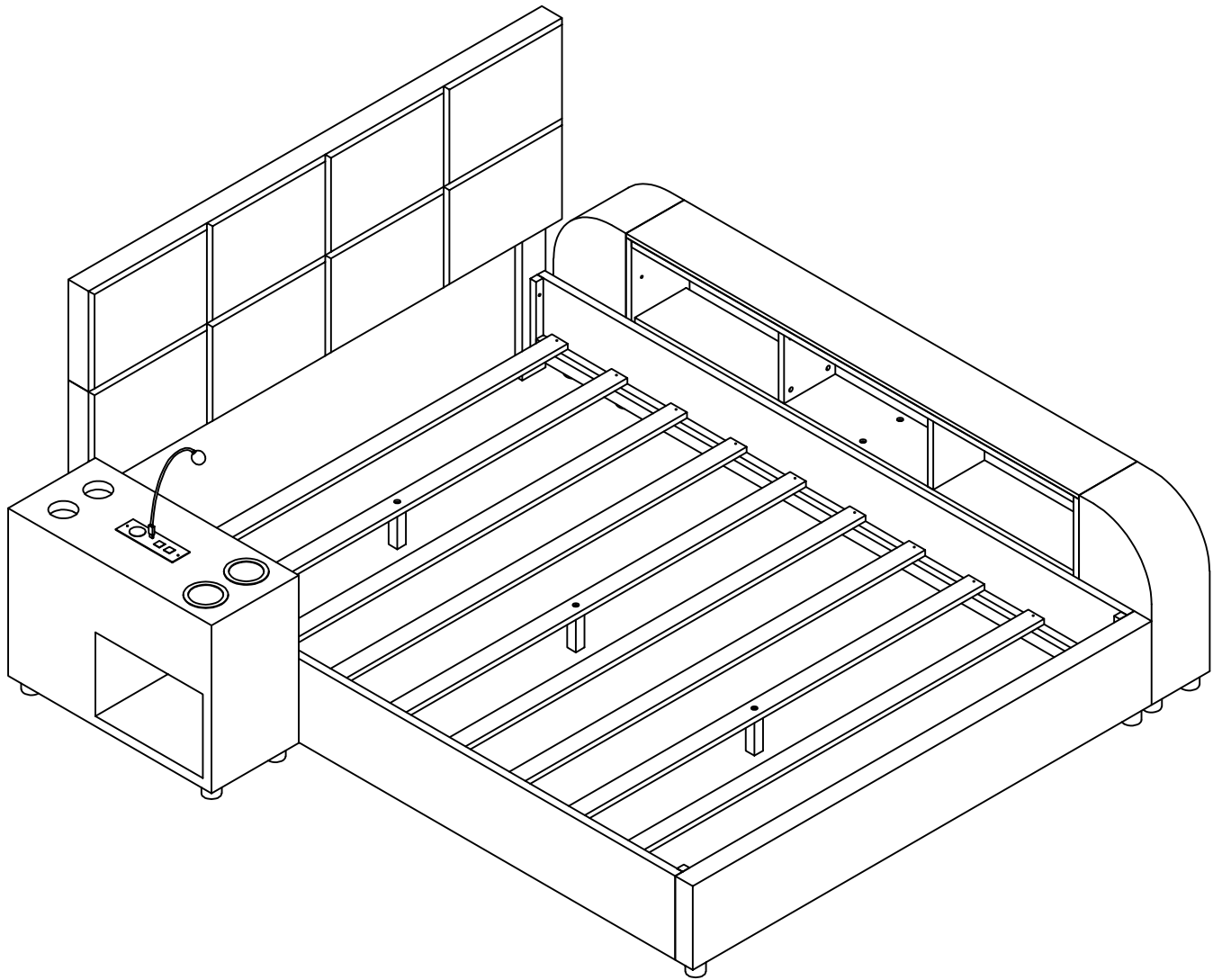
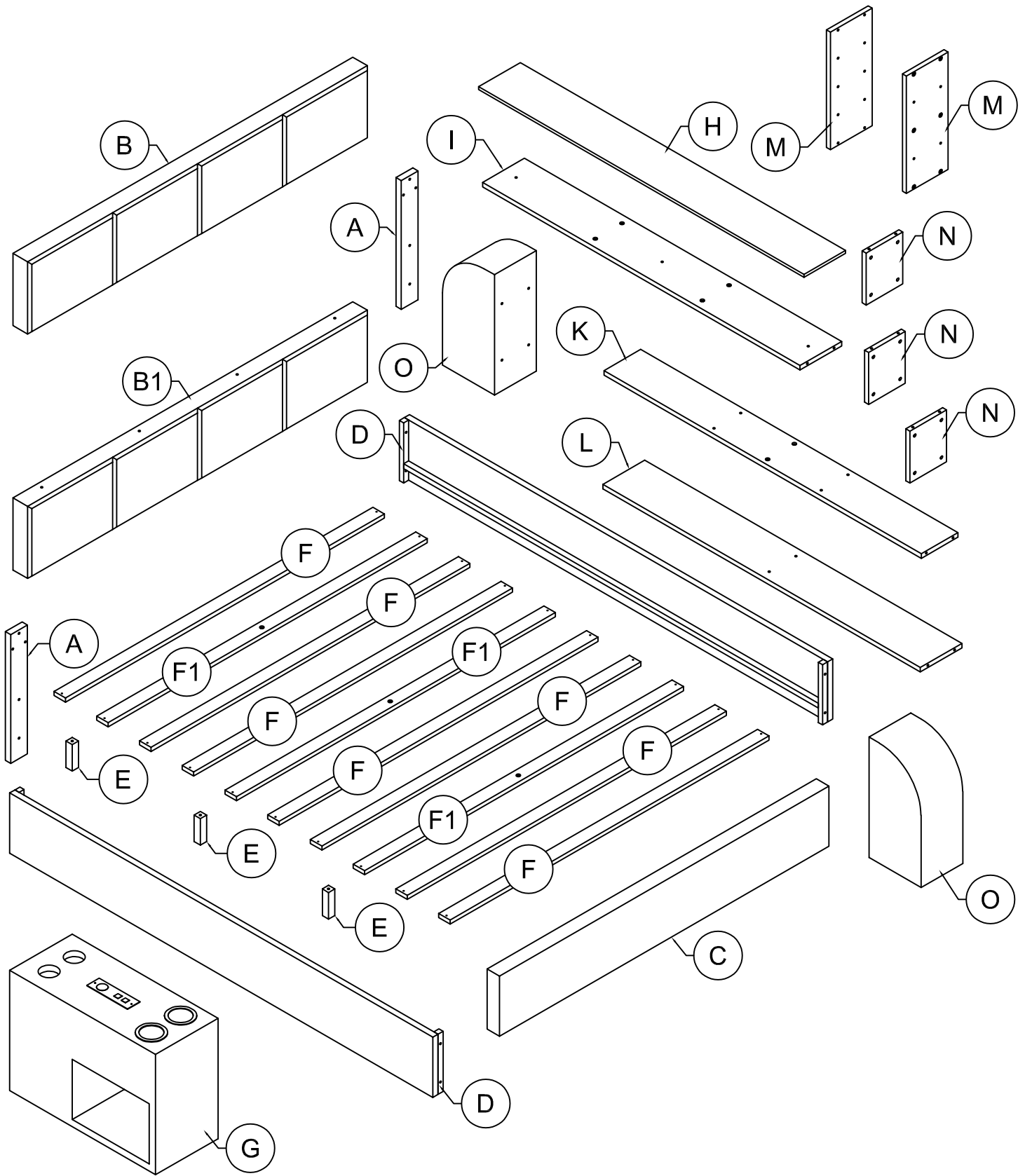


ASSEMBLY INSTRUCTION

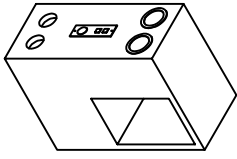


ASSEMBLY INSTRUCTION



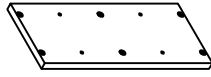
Part List

G



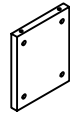
Side Box - 1pcs

M



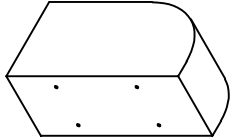
Standing Plate - 2pcs

N



Standing Plate - 3pcs

O



Box - 2pcs

10



Lamp 1pcs

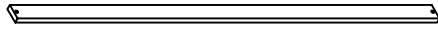
Part List

D



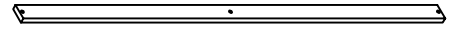
Side Rails - 2pcs

F



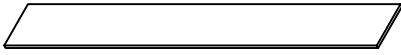
Slats - 7pcs

F1



Slats - 3pcs

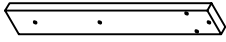
H



Crossbar - 1pcs

Part List

A



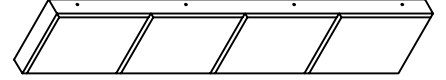
Leg (HB Font) - 2pcs

B



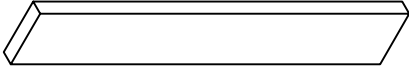
HB Frames - 1pcs

B1



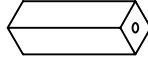
HB Frames - 1pcs

C



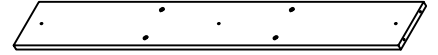
FB Frames - 1pcs

E



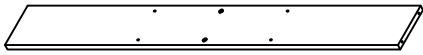
Legs Support - 3pcs

I



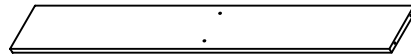
Crossbar - 1pcs

K



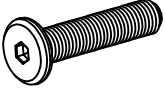
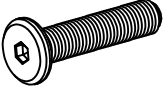
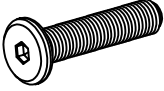
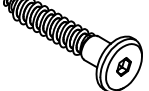

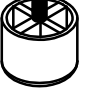



Crossbar - 1pcs

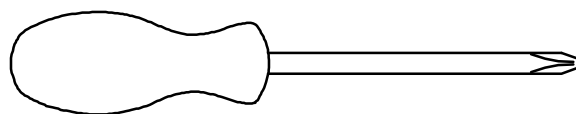
L



Crossbar - 1pcs

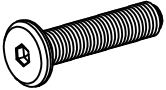
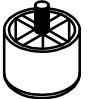
Hardware List

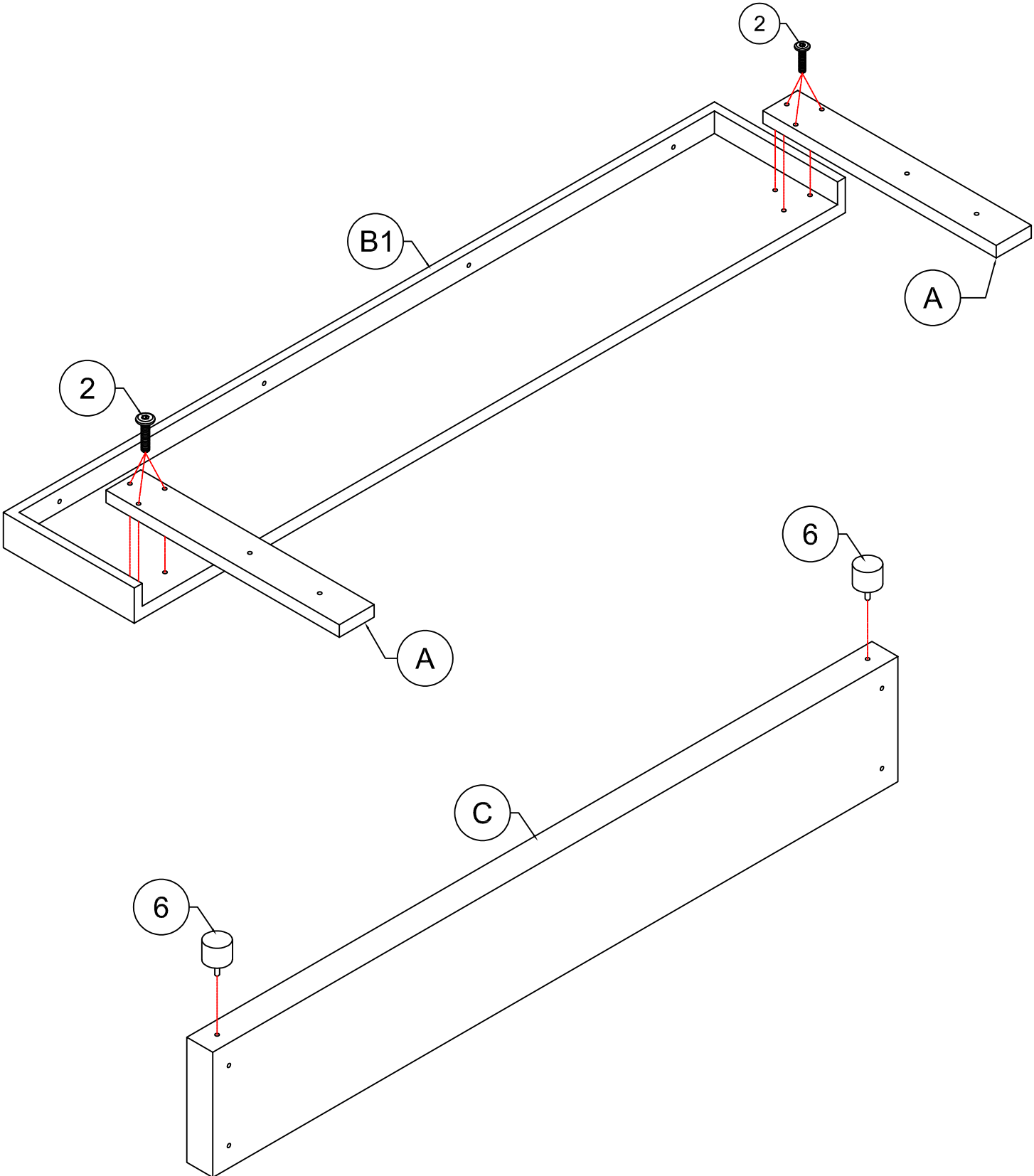
<p>1</p>  <p>1/4" x 30mm Hex-Head bolts 6pcs</p>	<p>2</p>  <p>1/4" x 40mm Hex-Head bolts 10pcs</p>	<p>3</p>  <p>1/4" x 50mm Hex-Head bolts 32pcs</p>
<p>4</p>  <p>1/4" x 50 mm Wood Screws 8pcs</p>	<p>5</p>  <p>1/4" x 15mm Horizontal -Hole bolts 24pcs</p>	<p>6</p>  <p>Plastic Feet (Ø50 x 40) 14pcs</p>
<p>7</p>  <p>Allen Key 1pcs</p>	<p>8</p>  <p>M4 x 30 mm Wood Screws 20pcs</p>	<p>9</p>  <p>Music Speaker 2pcs</p>



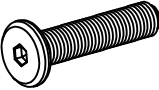
Assembly Tools Required (Not Included)

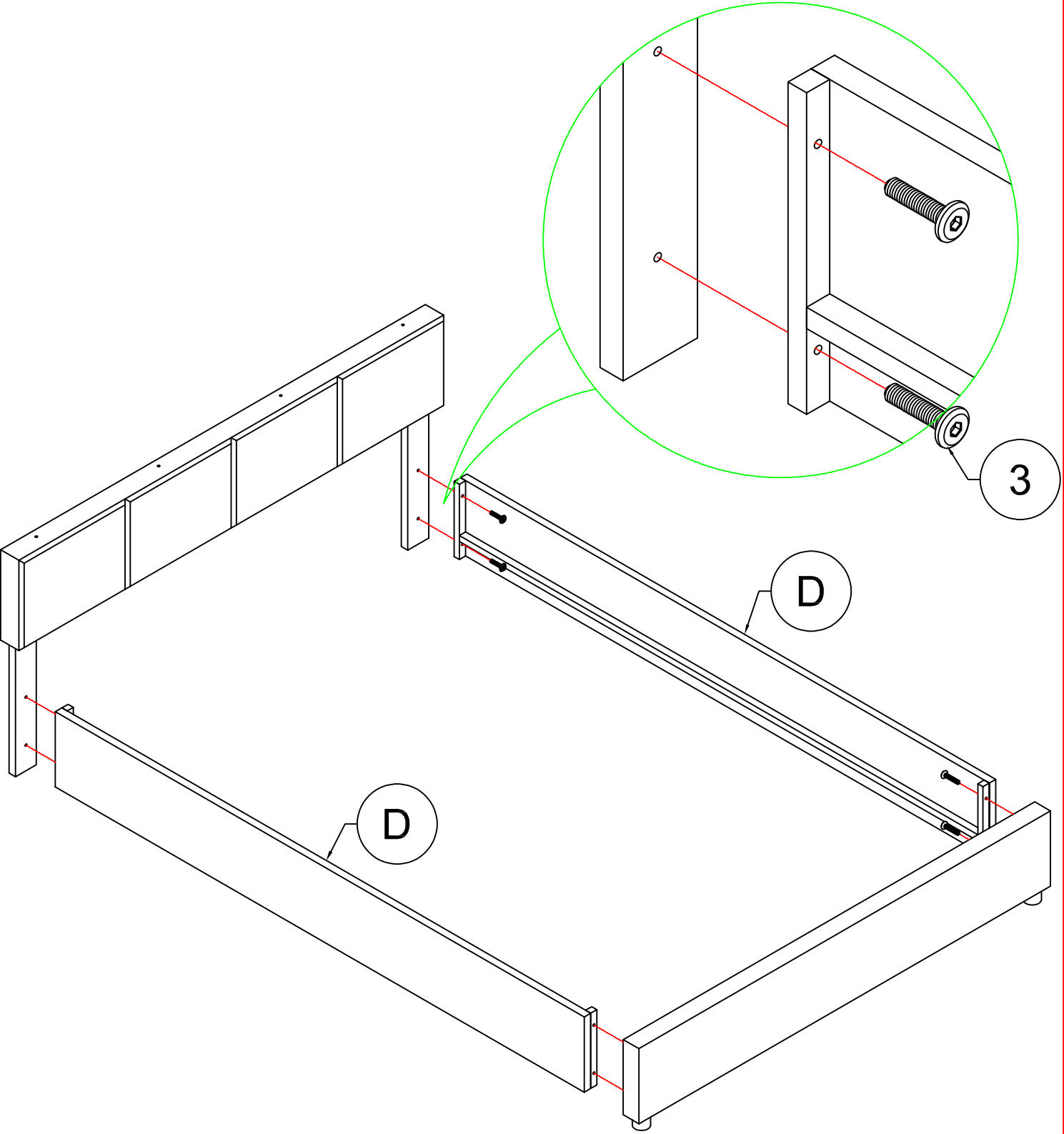
STEP 1: Following below illustration:

2	6
	
6pcs	2pcs

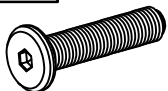


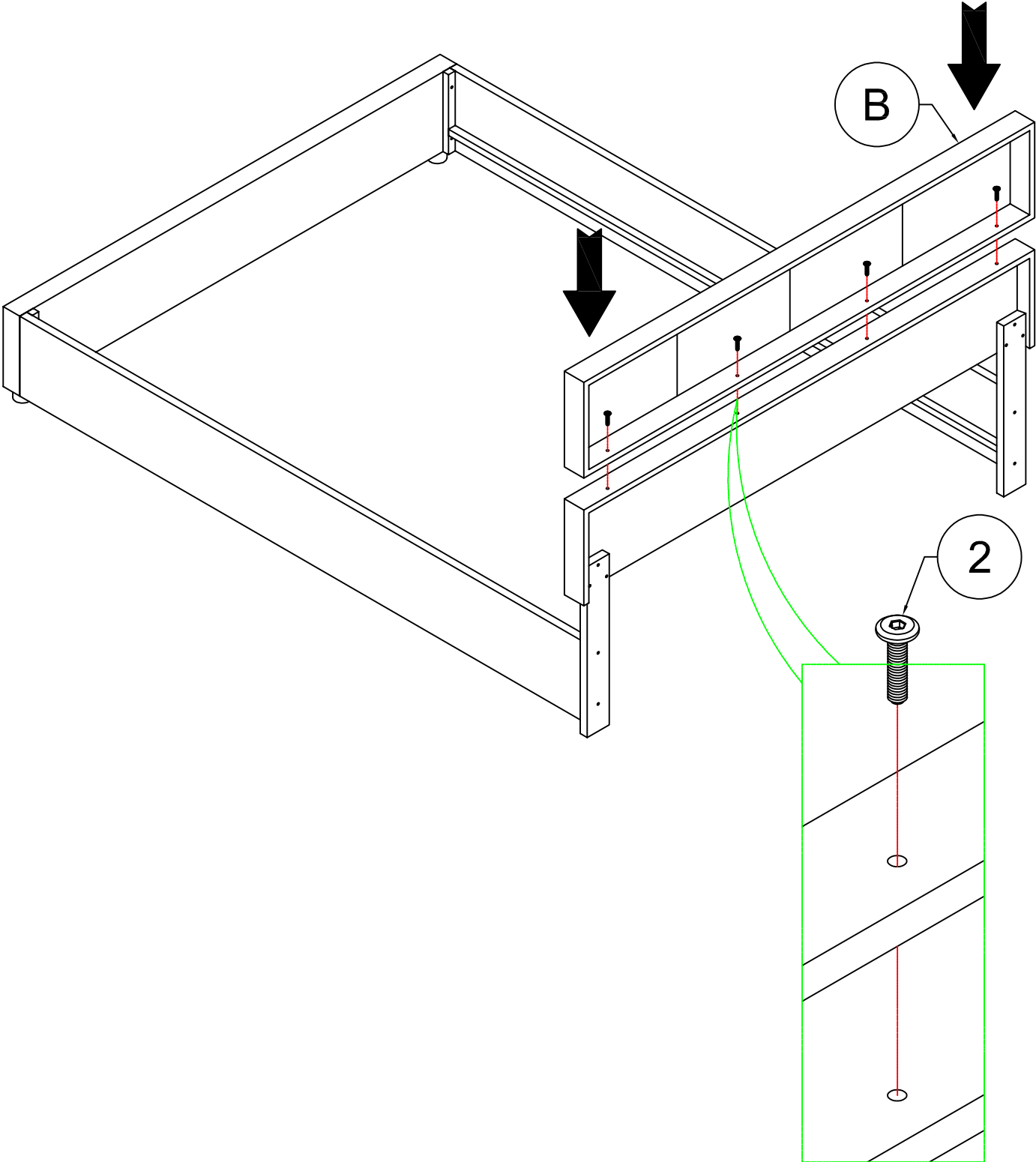
STEP 2: Following below illustration:

3

8pcs




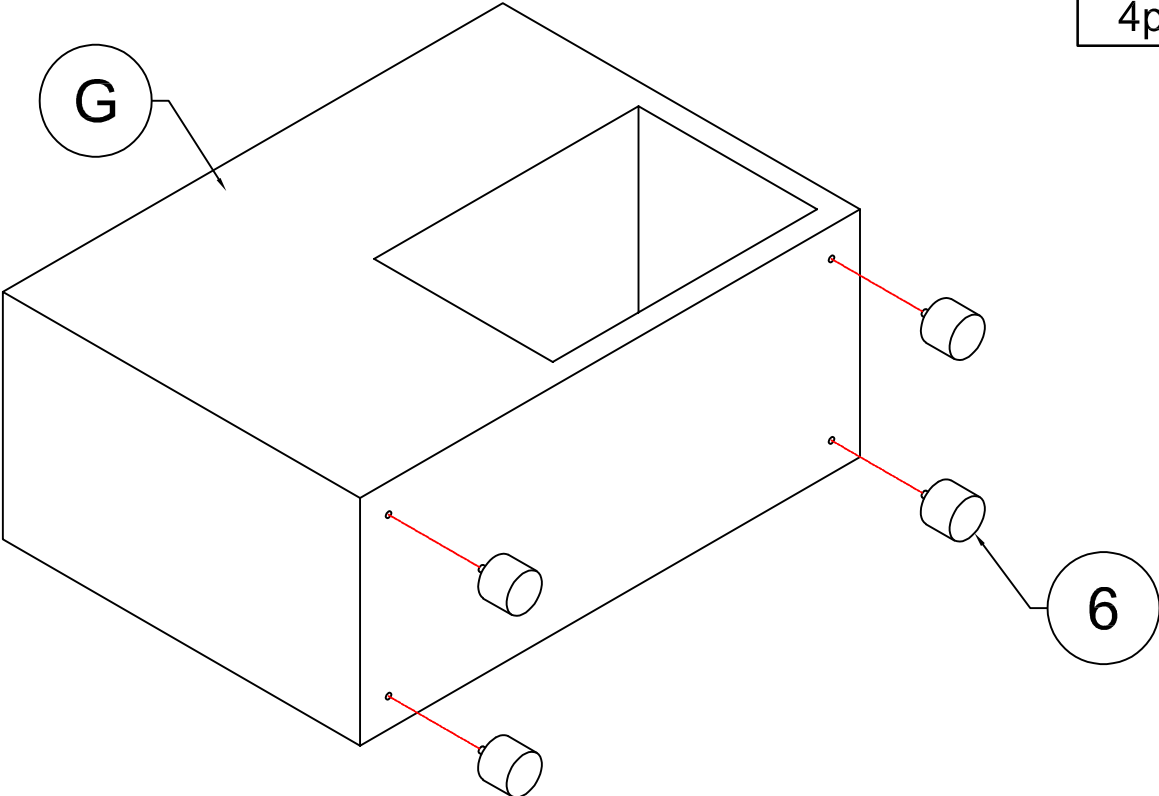
STEP 3: Following below illustration:

2

4pcs

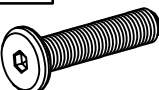


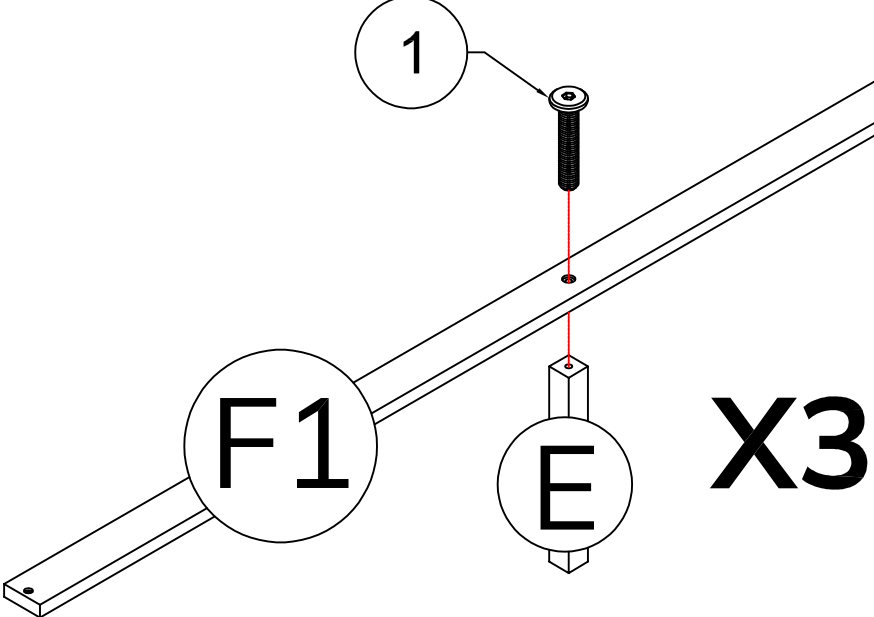
STEP 4: Following below illustration:

6	
4pcs	




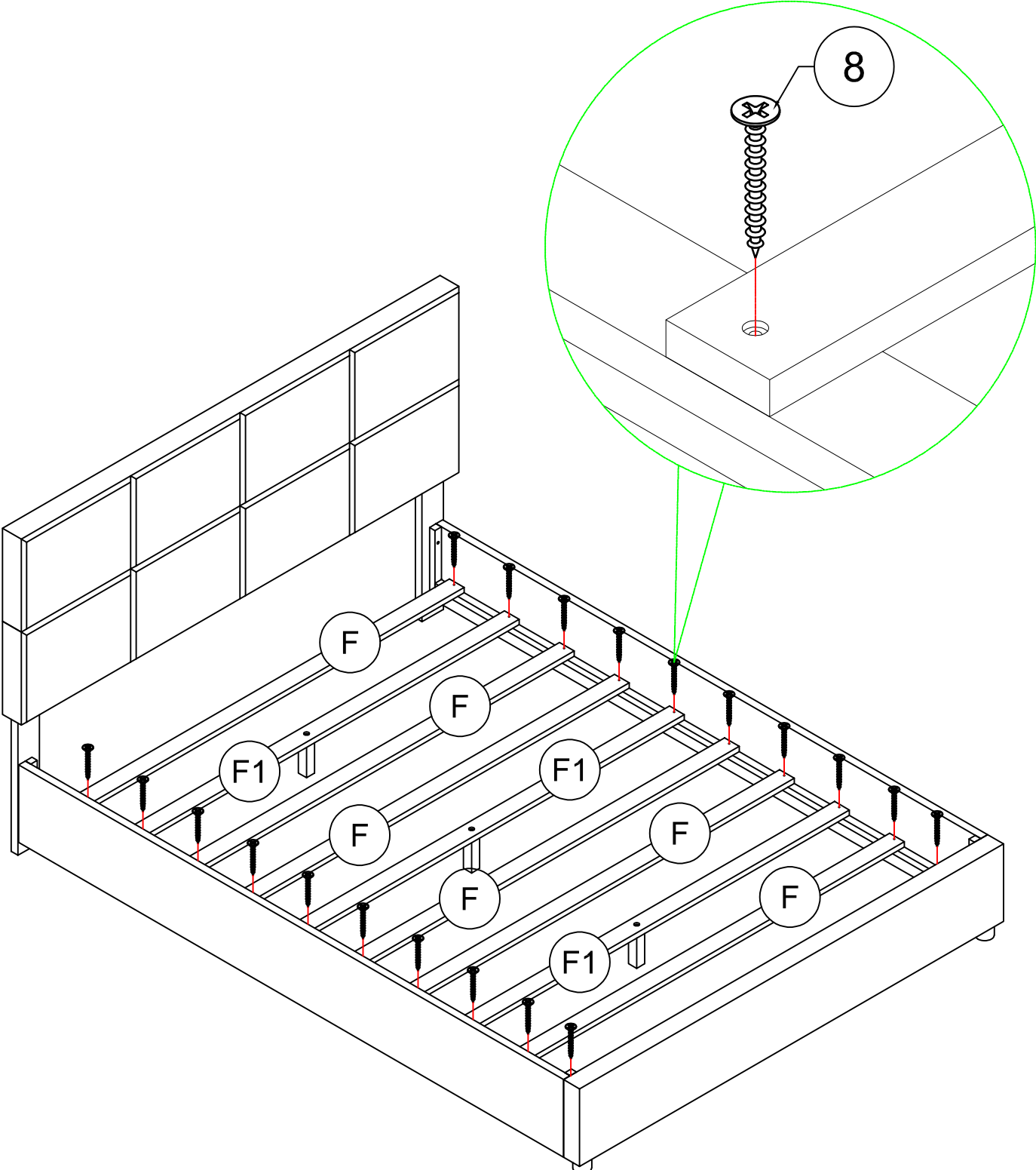
STEP 5: Following below illustration:

1	
3pcs	

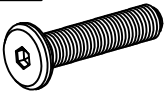



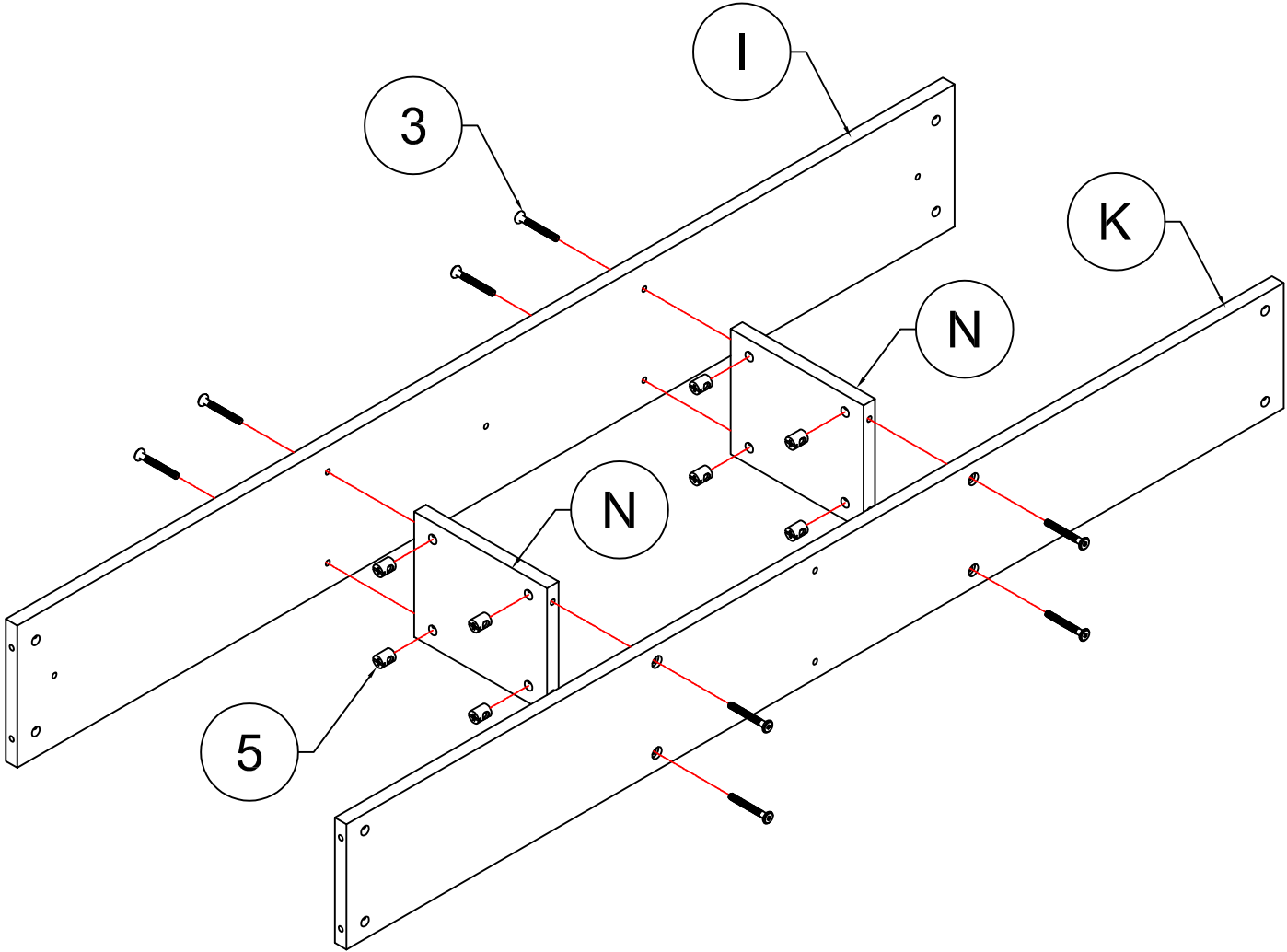
STEP 6: Following below illustration:

8	
20pcs	

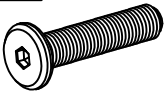



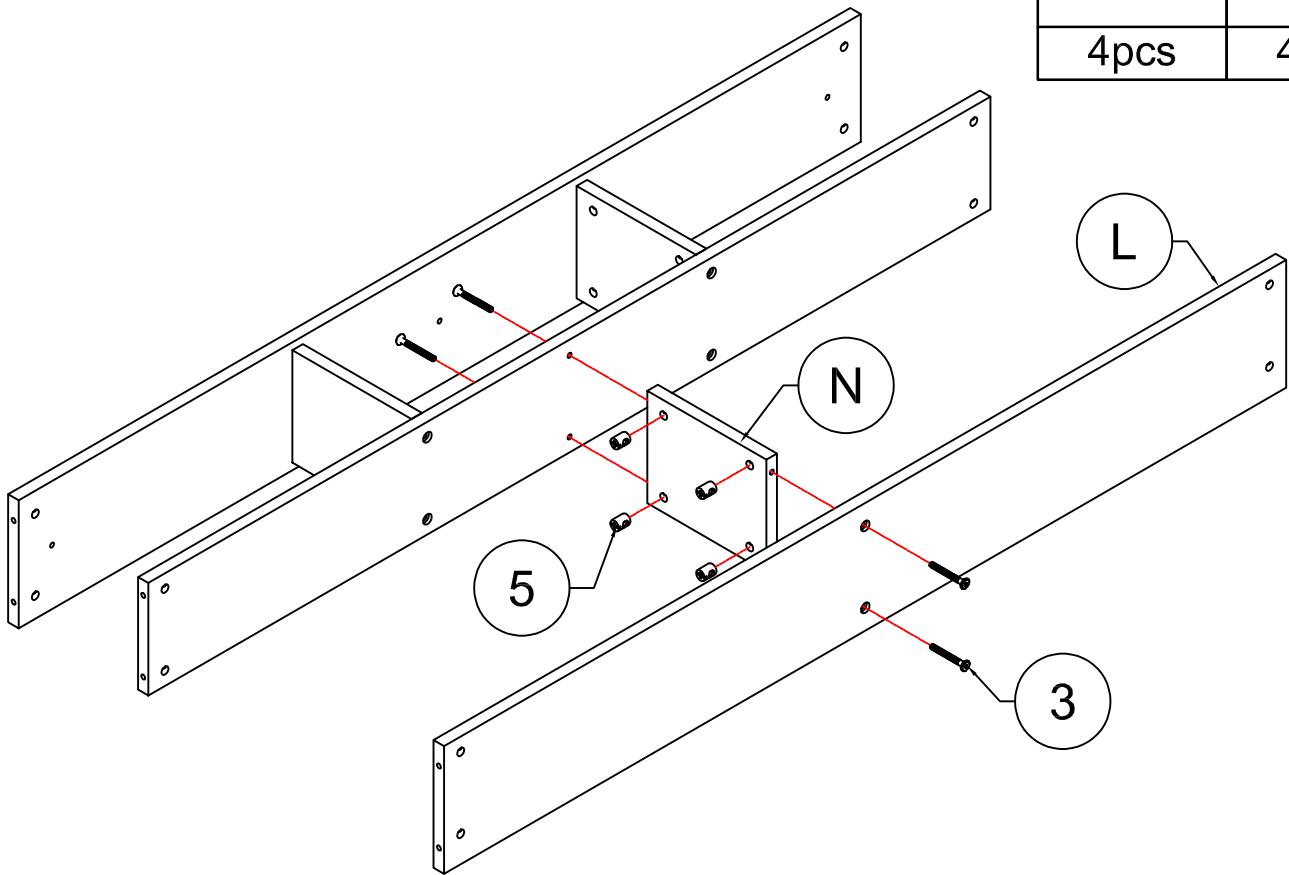
STEP 7: Following below illustration:

3	5
	
8pcs	8pcs

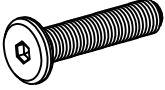



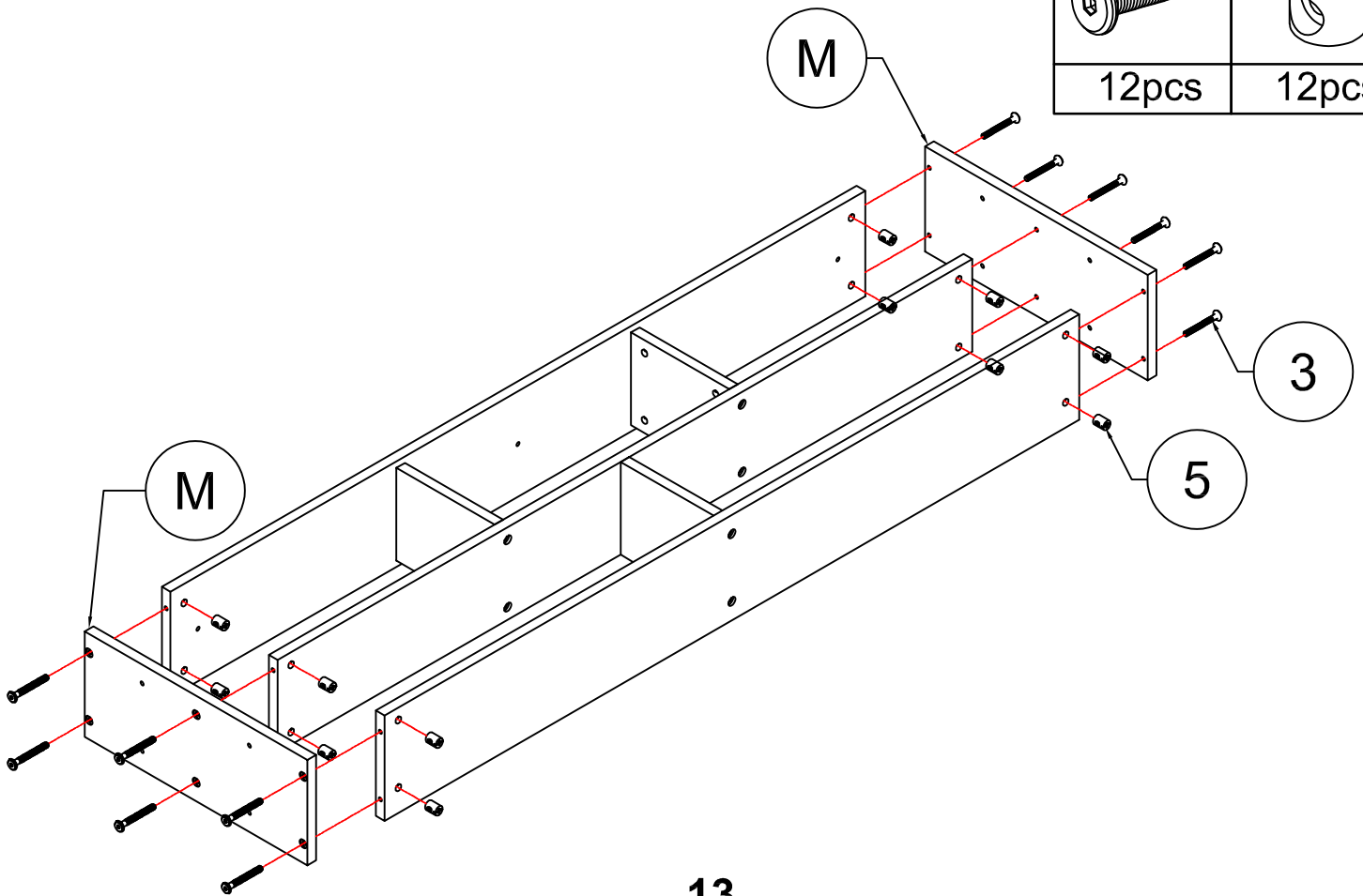
STEP 8: Following below illustration:

3	5
	
4pcs	4pcs

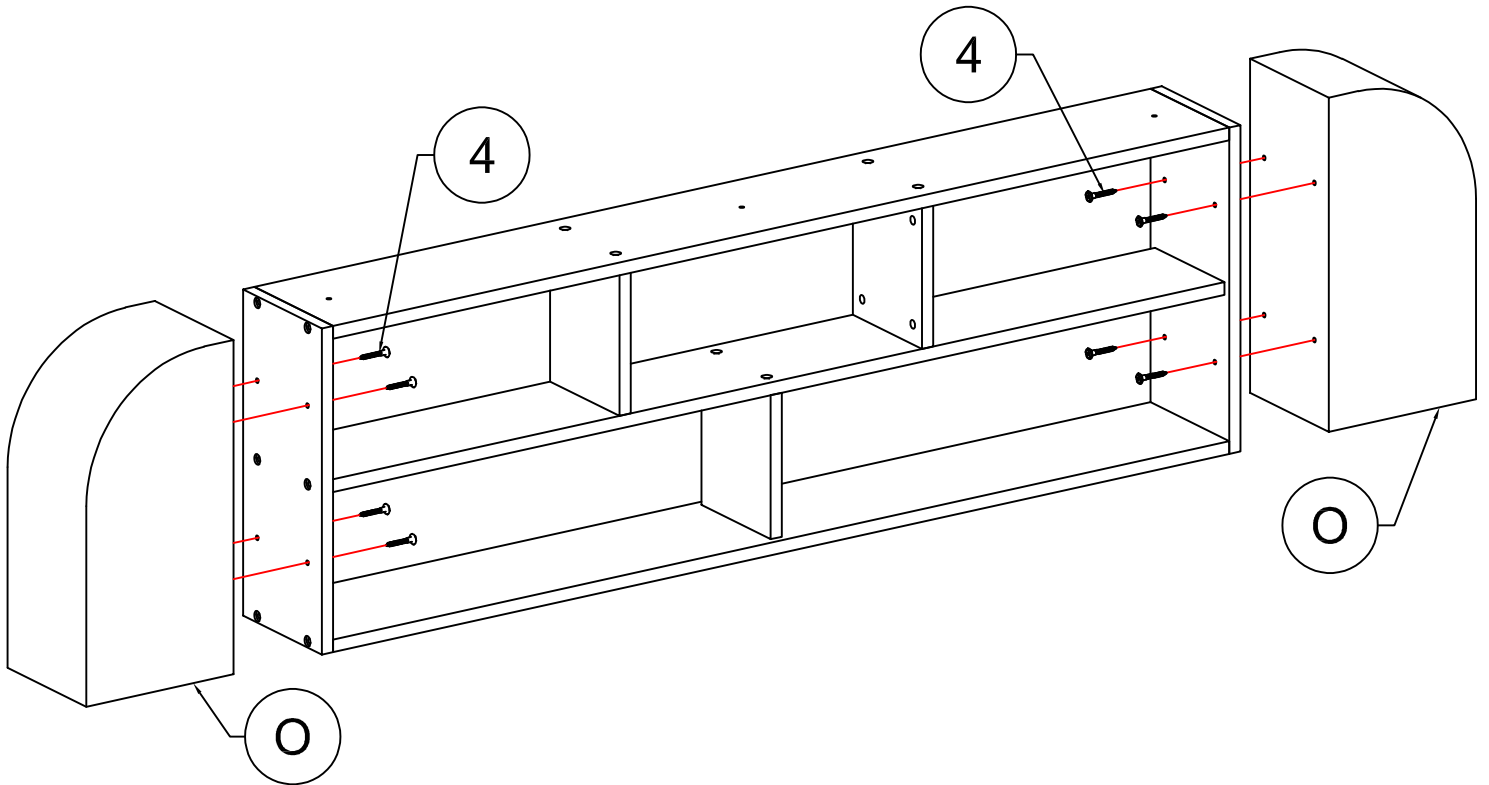
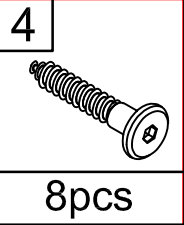


STEP 9: Following below illustration:

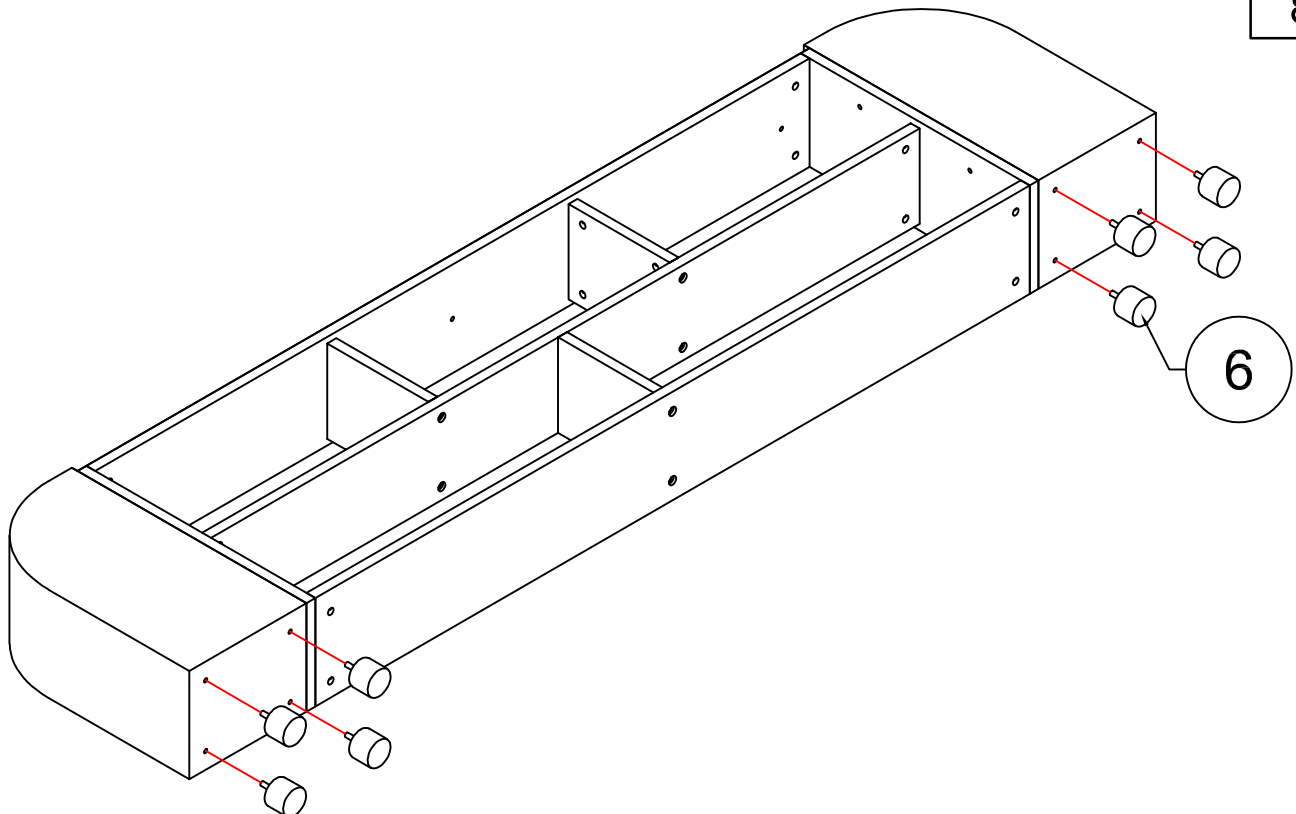
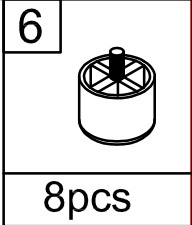
3	5
	
12pcs	12pcs



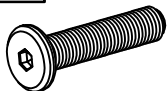
STEP 10: Following below illustration:

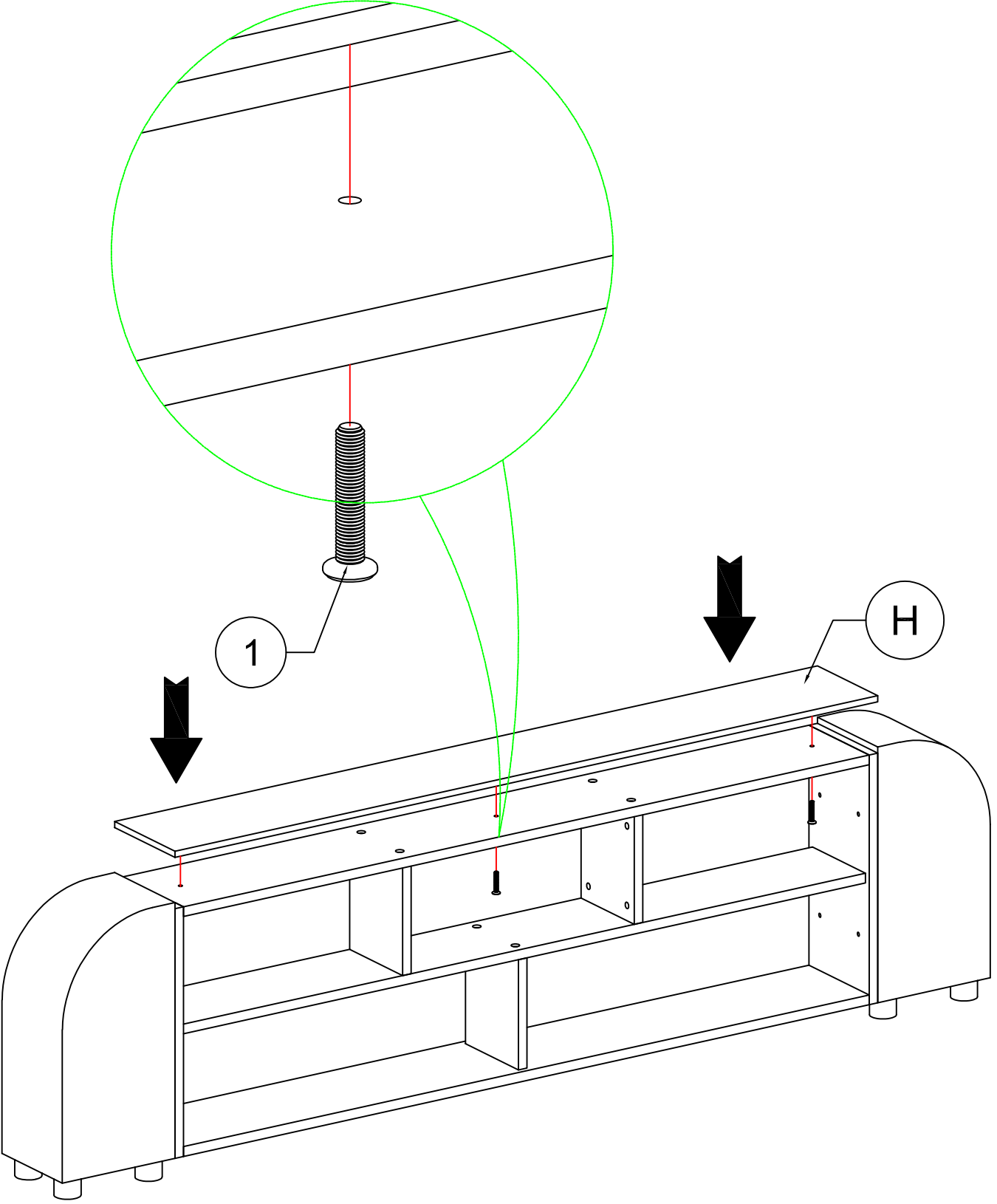


STEP 11: Following below illustration:





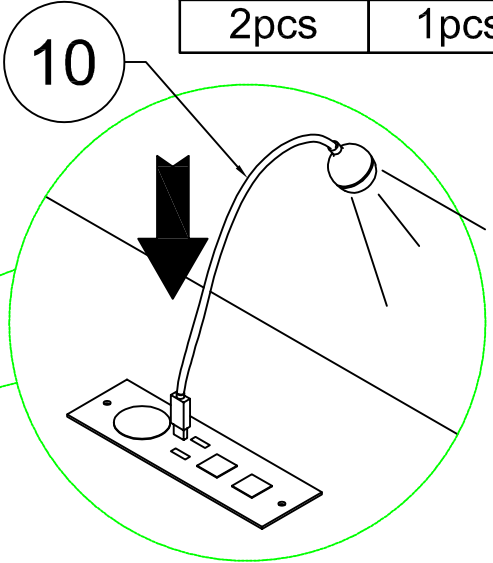
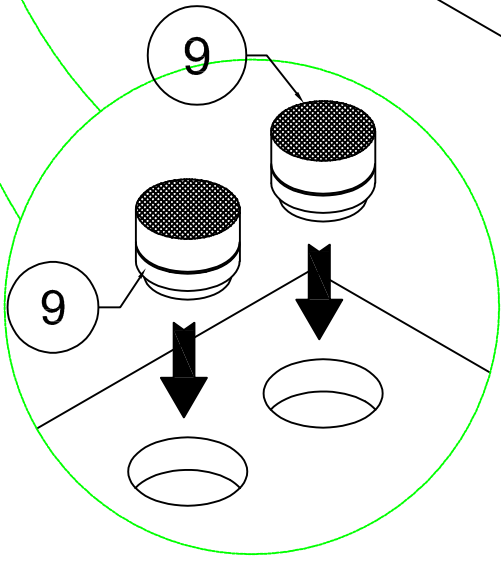
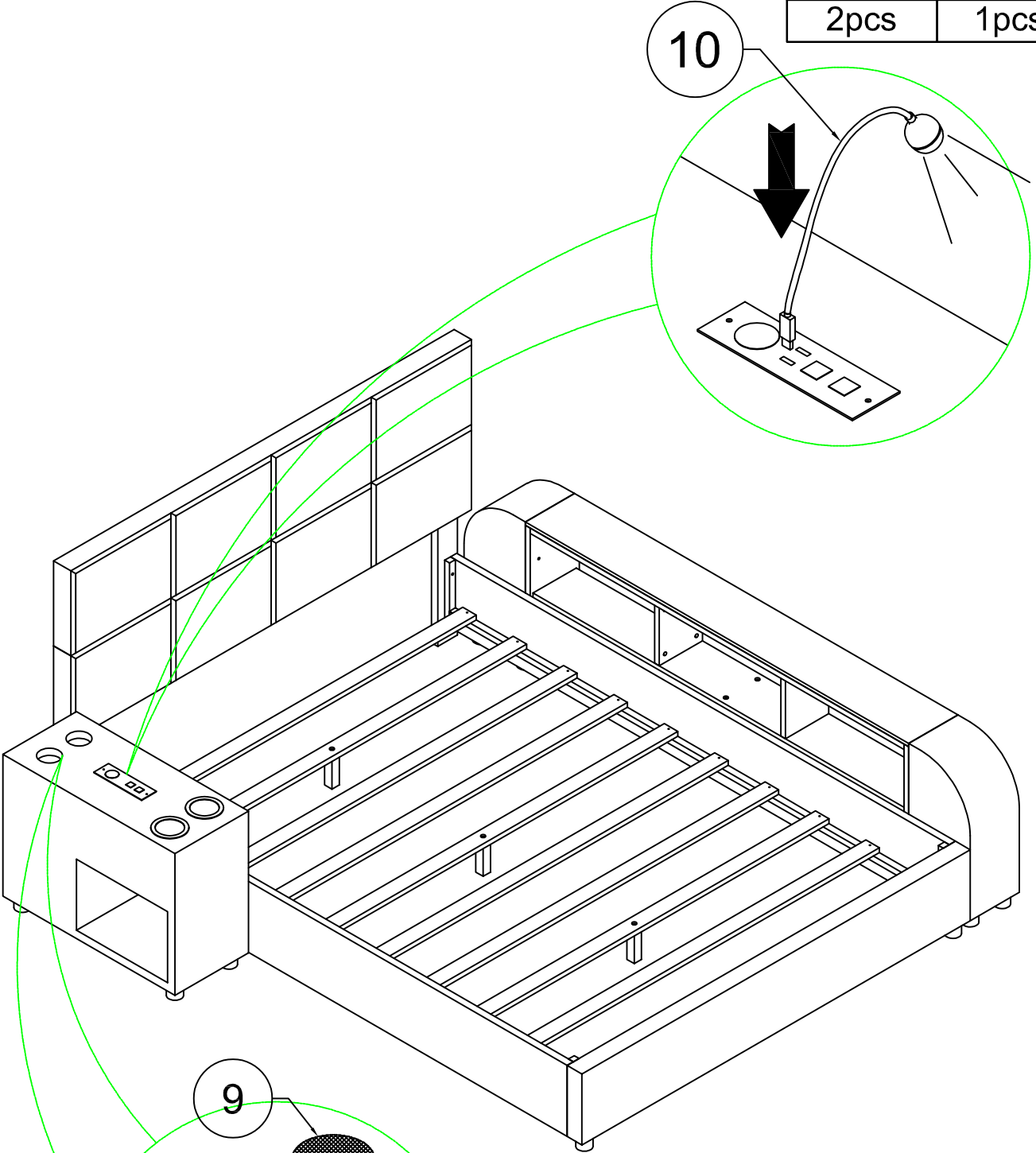
STEP 12: Following below illustration:

1

3pcs



STEP 13: Following below illustration:

9		10	
	2pcs		1pcs



FINISH

