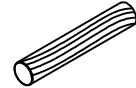
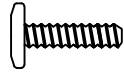



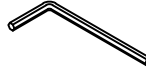


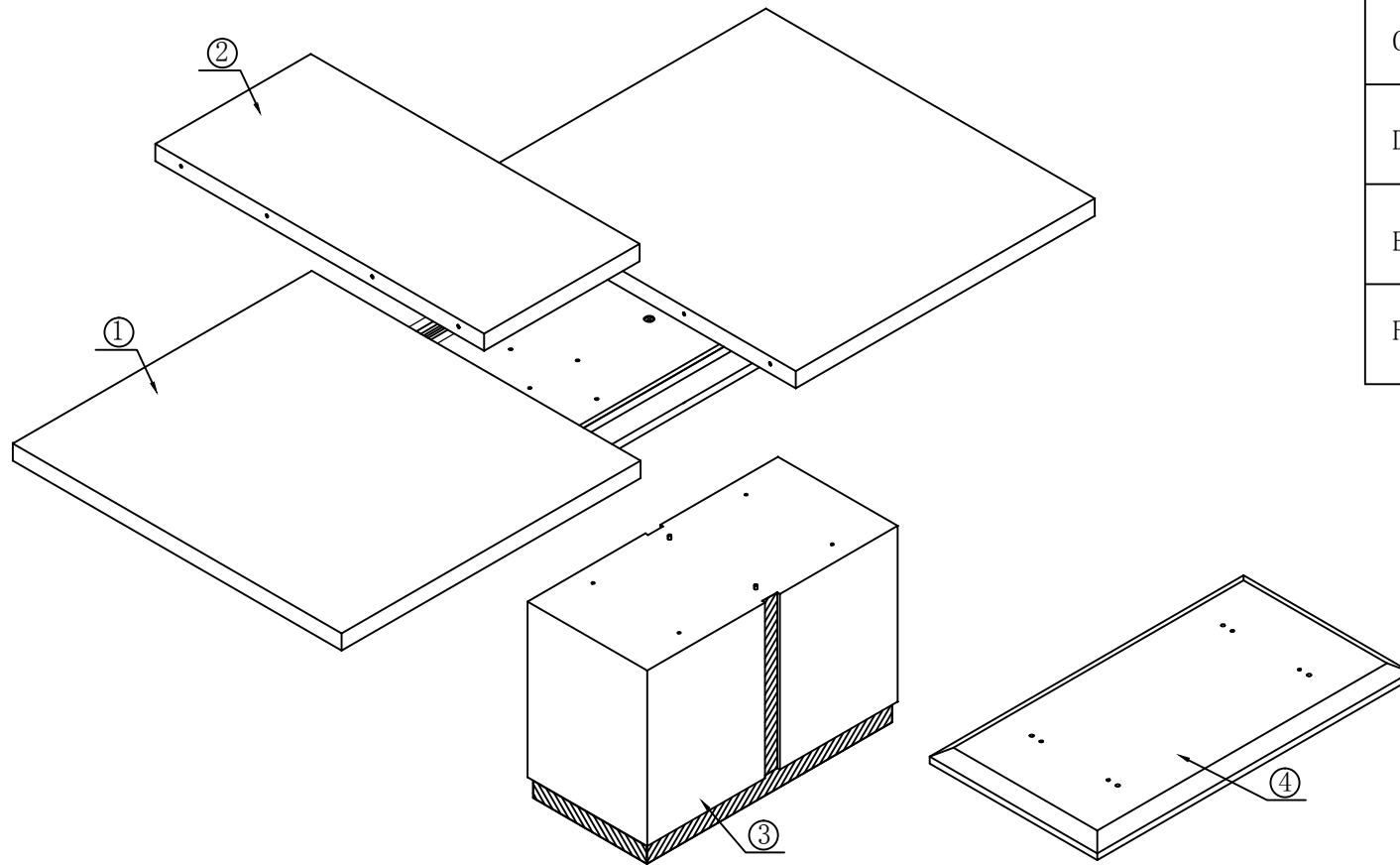
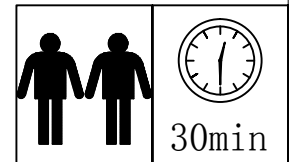


No	Part	Qty
1	Faceplate Top A	1
2	Faceplate Top B	1
3	Pedestal A	1
4	Pedestal B	1

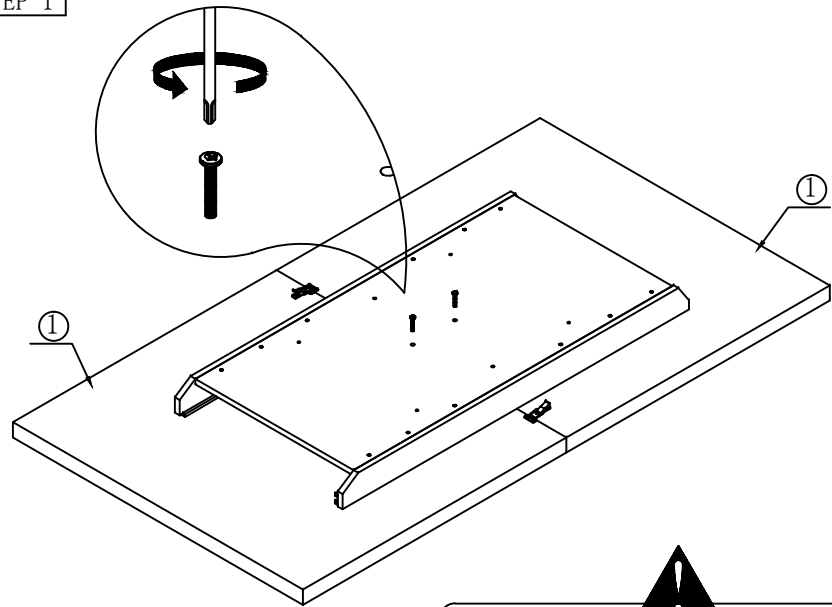
No	Part	Qty
A	 Wooden tenon ø8X30	4
B	  Screw M8x50	4
C	 Gasket M8	8
D	 bag	1
E	 Spanner 5mm	1
F	  Screw M8x30	4



- Please check contents and read instructions before commencing assembly.
- Please use a soft mat to avoid damaging during assembly
- Assemble this article following the enclosed instructions carefully.

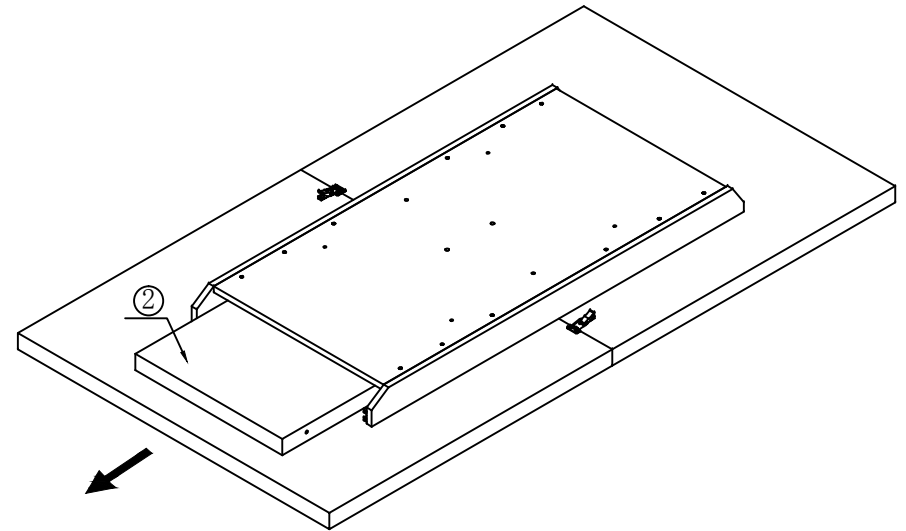


STEP 1

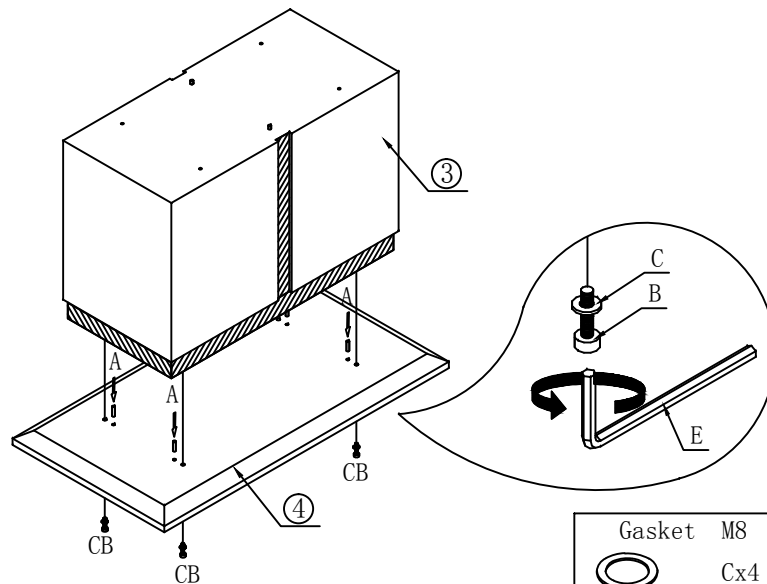


• Please use a soft mat to avoid damaging during assembly

STEP 2



STEP 3

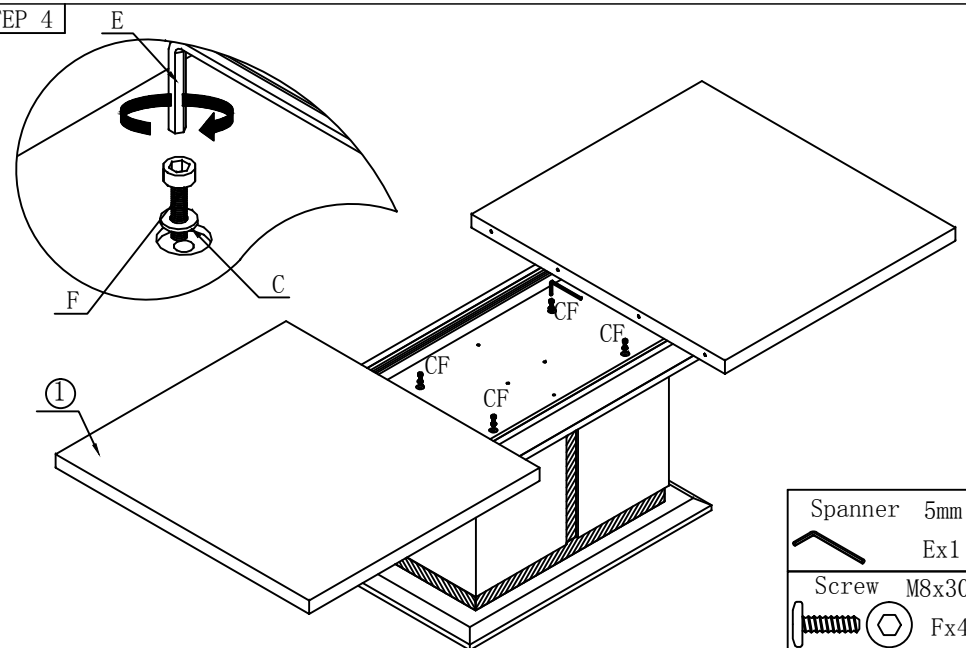


Screw M8x50 Bx4

Spanner 5mm Ex1

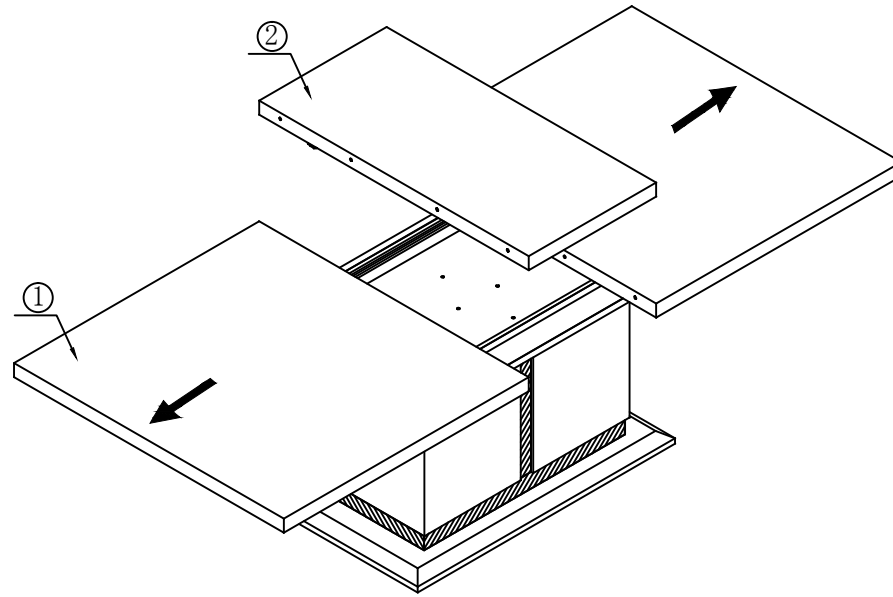
Gasket M8 Cx4  
Wooden tenon  $\phi$ 8X30 Ax4

STEP 4

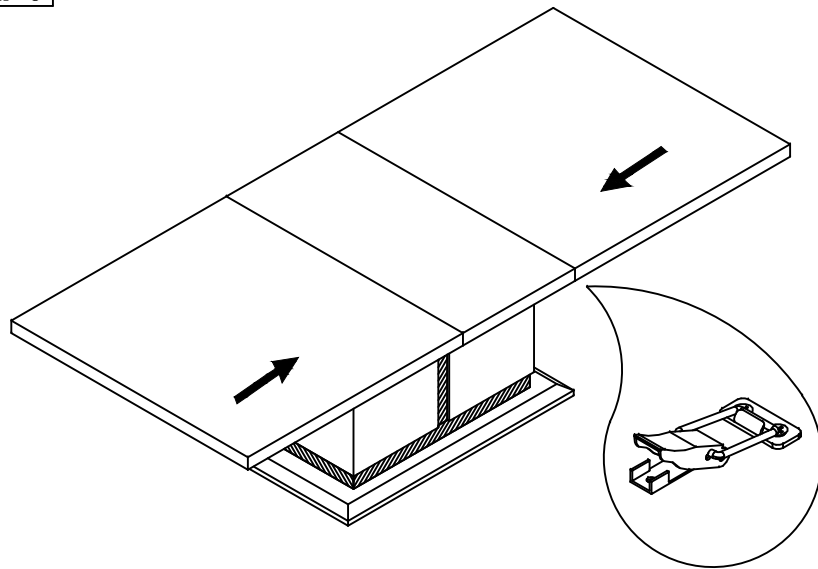


Spanner 5mm Ex1  
Screw M8x30 Fx4  
Gasket M8 Cx4

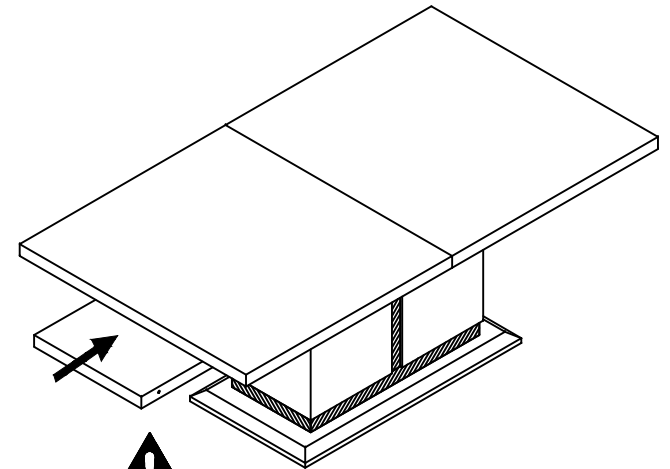
STEP 5



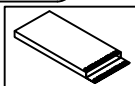
STEP 6



STEP 7



Put the extension in the bag, then hide it under the table face .



Dx1