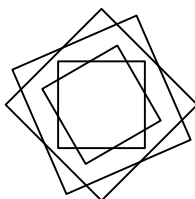
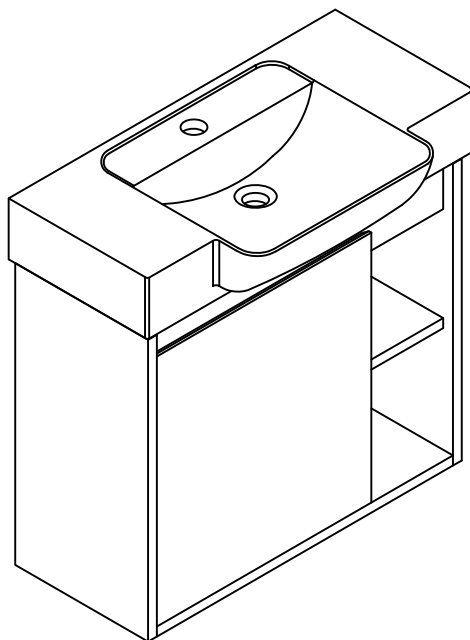




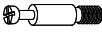


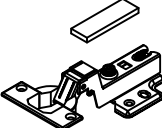



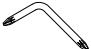

# Installation & Assembly



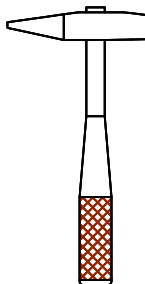
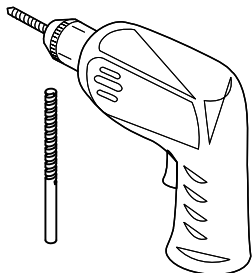
**Thank you for shopping with us!**

We encourage you to take a few minutes to go through this booklet. It contains important information on installation and care tips to keep your furniture looking as good as new.

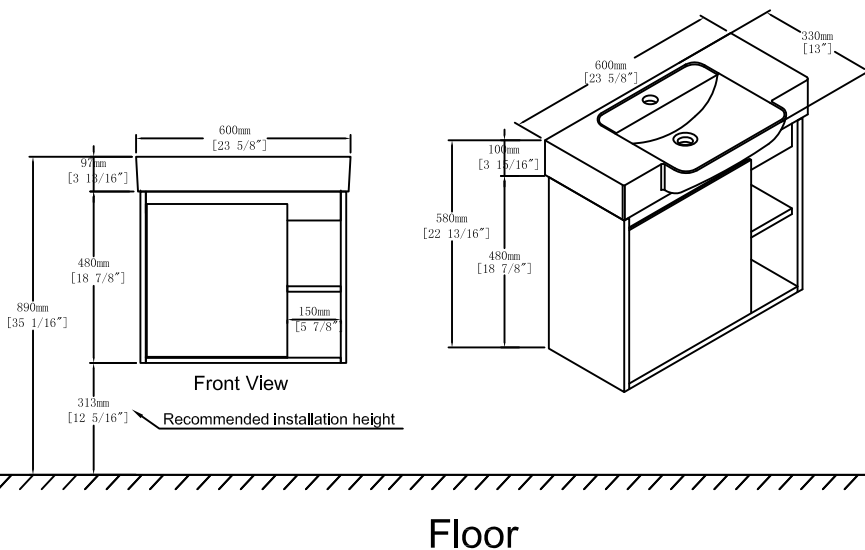
## Hardware

NO.	Draw	QTY	NO.	Draw	QTY
A	 Screws Ø4x14mm	32	G	 Bracket (53x70x44mm)	2
B	 Two-in-one connector	30	H	 Bracket (19x19x35mm)	2
C	 Two-in-one connector	30	I	 Hinges ( Internal hiding )	2
D	 Wood plug	7	J	 Anti-collision gasket	2
E	 Plastic anchor(Ø10mm)	4	K	 Screwdriver	1
F	 Screws for fix on the wall	4			

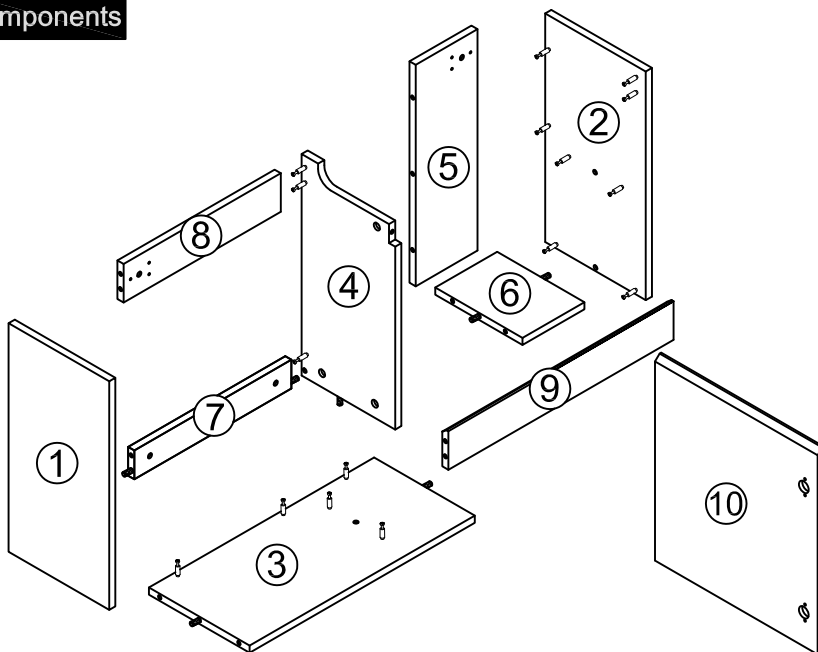
## Recommended tools



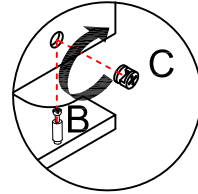
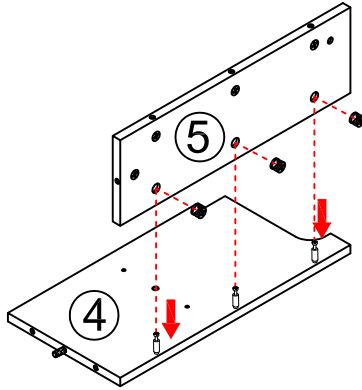
## Dimensions

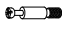

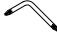


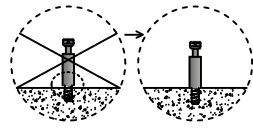
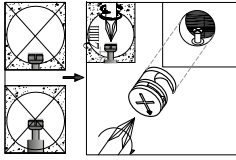
## Components



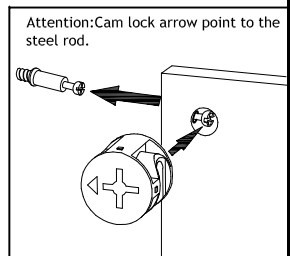
## Step 1



-  x3
- B
-  x3
- C
- 
- K

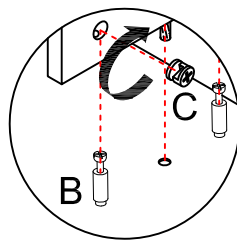
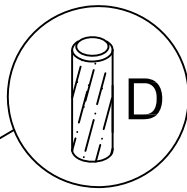
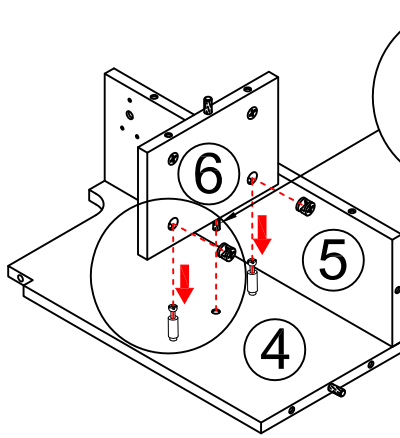


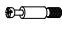


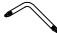
Notes: Screw installation depth as shown



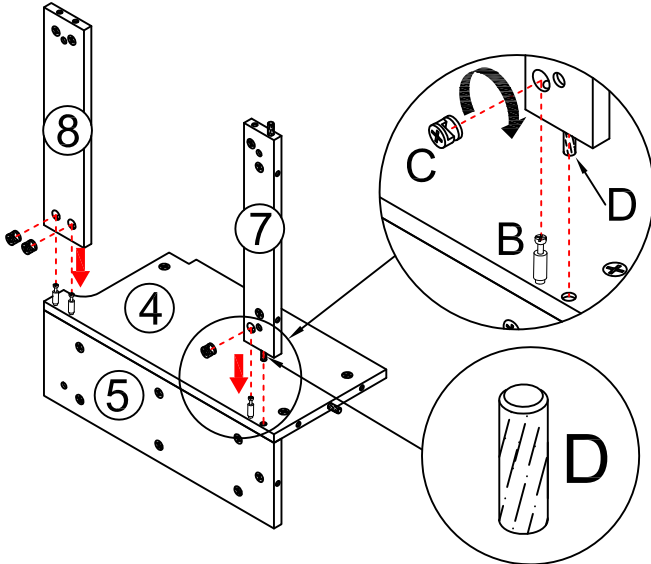
## Step 2

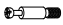



Note: The D parts are used for this hole.



-  x2
- B
-  x2
- C
-  x1
- D
- 
- K

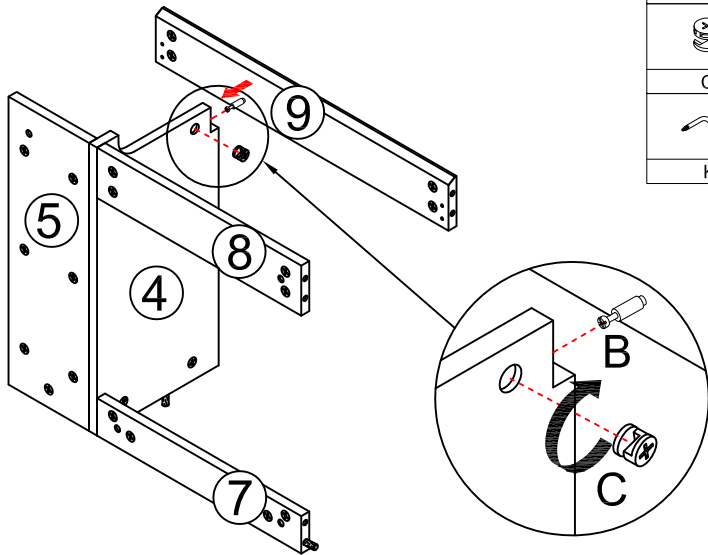
### Step 3

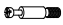

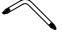


-  x3
-  x3
-  x1
- 

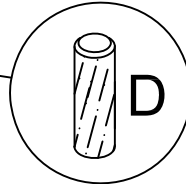
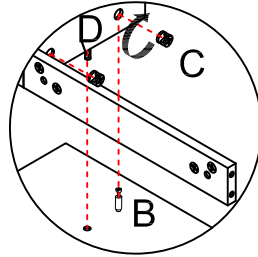
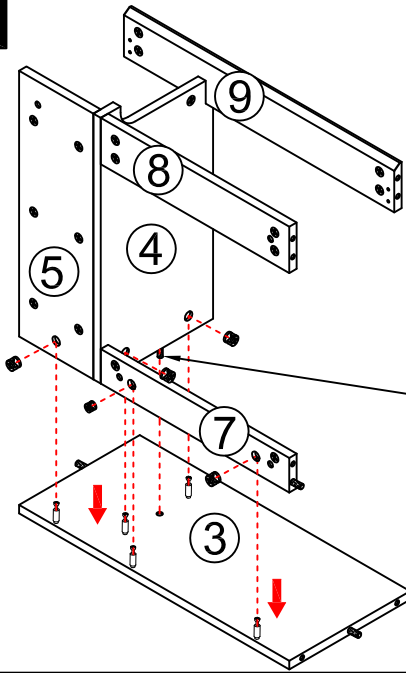
Note: The D parts are used for this hole.

### Step 4

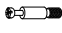





-  x1
-  x1
- 

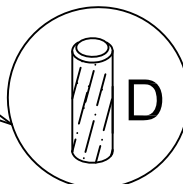
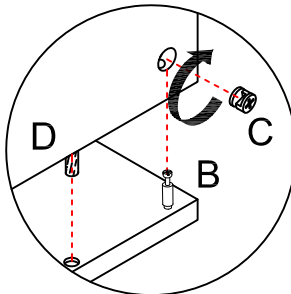
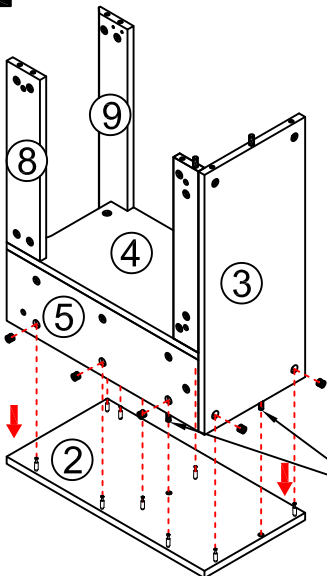
### Step 5



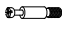



Note: The D parts are used for this hole.

-  x5
- B
-  x5
- C
-  x1
- D
- 
- K

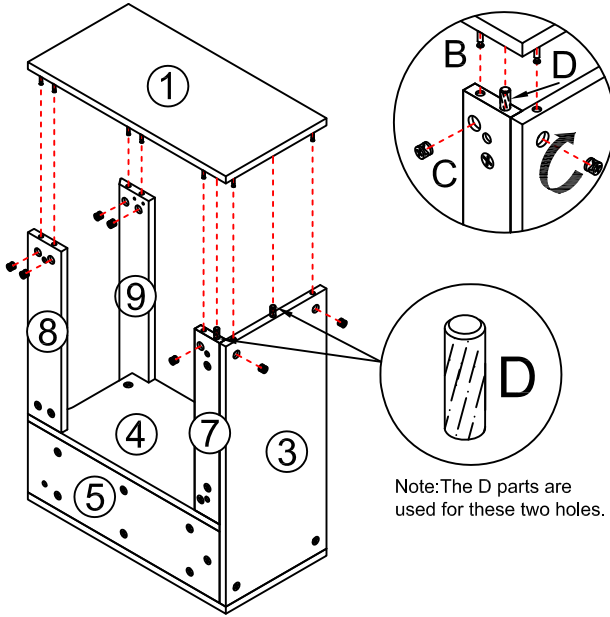
### Step 6







Note: The D parts are used for these two holes

-  x9
- B
-  x9
- C
-  x2
- D
- 
- K

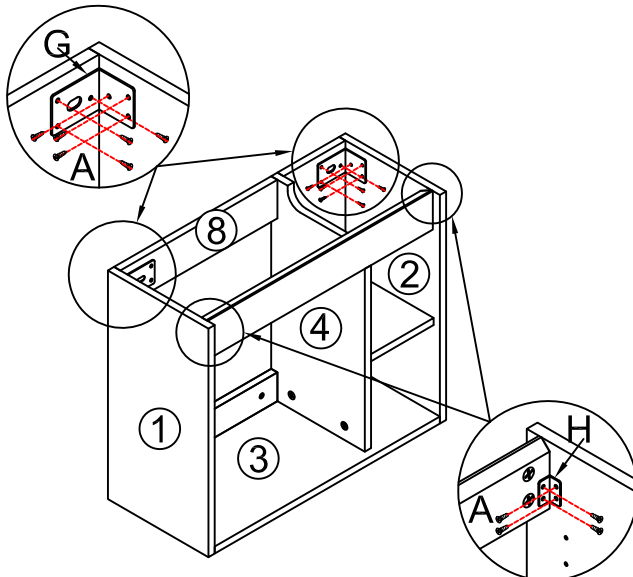
### Step 7







-  x7
- B
-  x7
- C
-  x2
- D
- 
- K

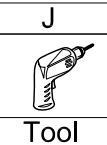
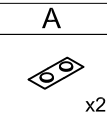
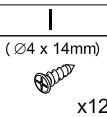
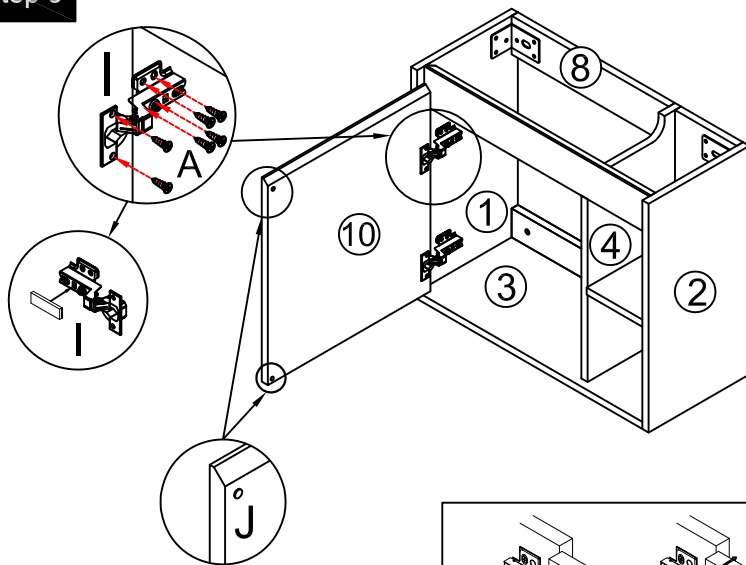
Note: The D parts are used for these two holes.

### Step 8

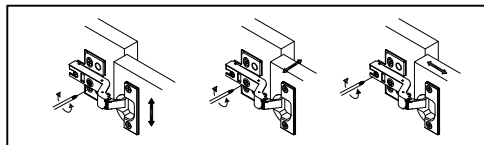


-  x2
- G
-  x2
- H
- ( $\varnothing 4 \times 14\text{mm}$ )
-  x20
- A
- 
- Tool

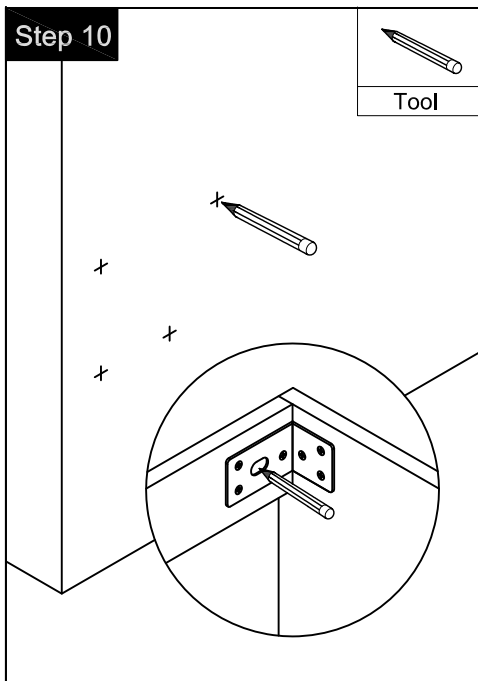
### Step 9



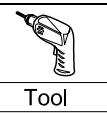
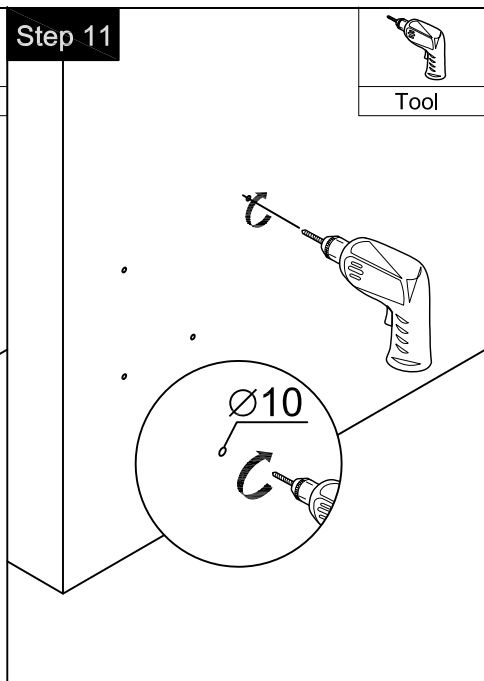
You can adjust the doors by tightening or loosening the screws on the hinge. →



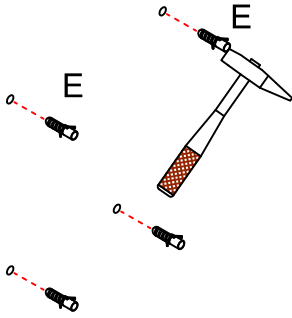
### Step 10


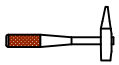


### Step 11

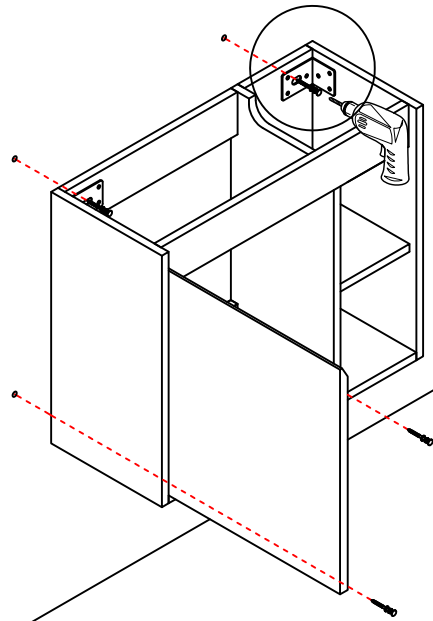


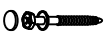

**Step 12**



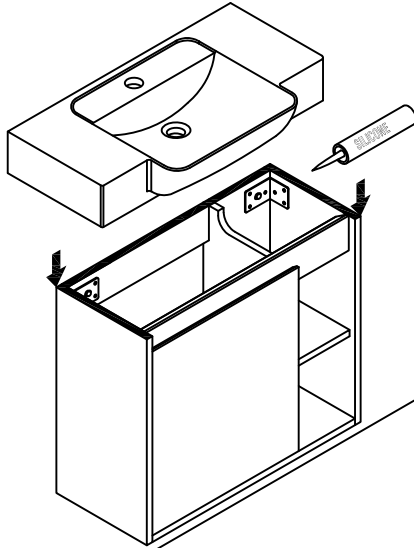
-  x4
- E
- 
- Tool

**Step 13**

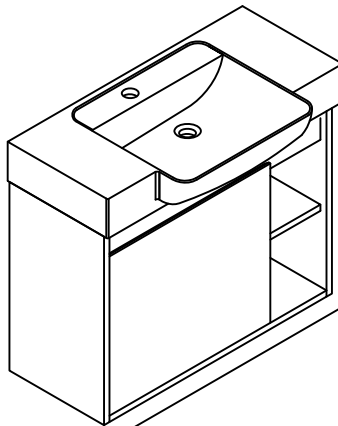


-  x4
- F
- 
- Tool

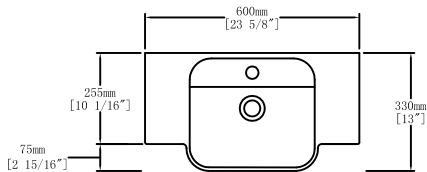
**Step 14**



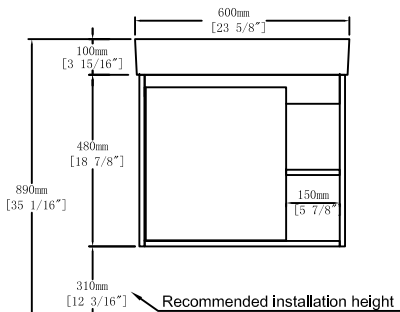
**Finished**



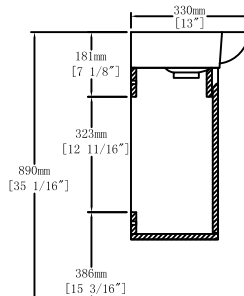
## Dimensions



Top View



Front View



Side View

Floor

## CARE CLEANING AND MAINTENANCE

1. Dust regularly with a soft , dry cloth.
2. Avoid the use of all chemicals household cleaners, abrasives, or cleaners that contain lemon, vinegar, or other acids that may damage the finish.
3. Excessive exposure to sunlight and extreme changes in temperature and moisture can damage wood furniture.
4. The sink is fragile, please pay attention to maintaining its appearance.
5. Do not place hot appliances, such as curling irons and hot hair dryers directly on the countertop. Wipe spills immediately.