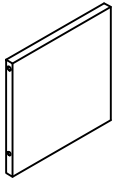


ASSEMBLY INSTRUCTION

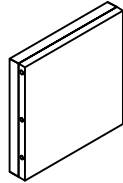
12M X-FRAME 5-SHELF BOOKCASE

A Shelf



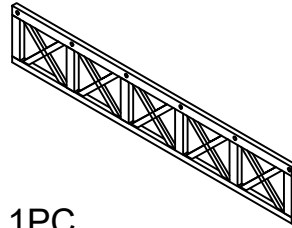
5PCS

B Bottom



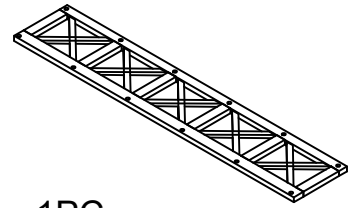
1PC

C Side Panel



1PC

D Back Panel



1PC

E Bolt
Ø1/4" x 32mm



18PCS

F Lock Washer
Ø1/4"



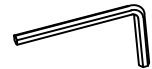
18PCS

G Flat Washer
Ø1/4" x 15 x 1.5mm



18PCS

H Allen Key
M4



1PC

I Wood Dowel
Ø8 x 30mm



14PCS

J Leveler
Ø1/4" x 15mm

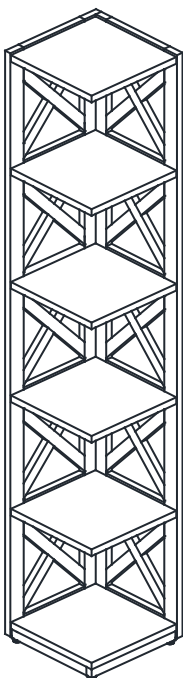


4PCS

K Anti-Tipping Kit

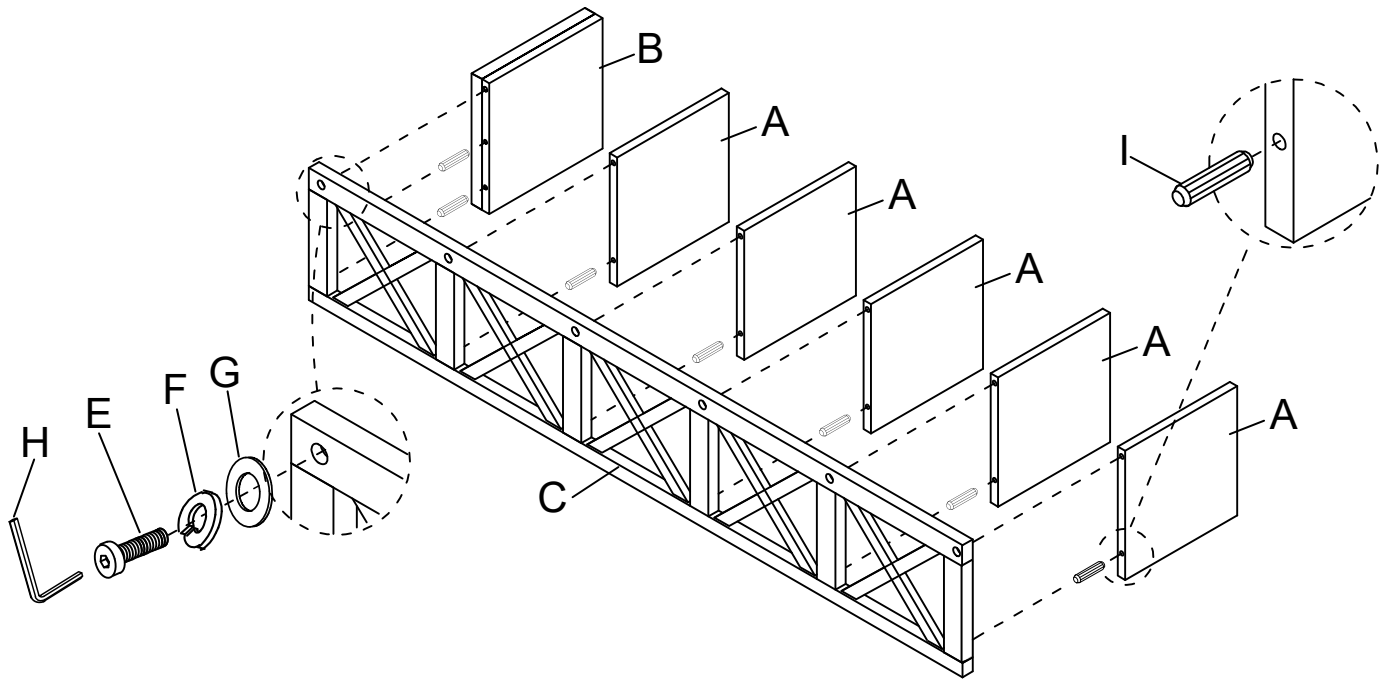


2SETS

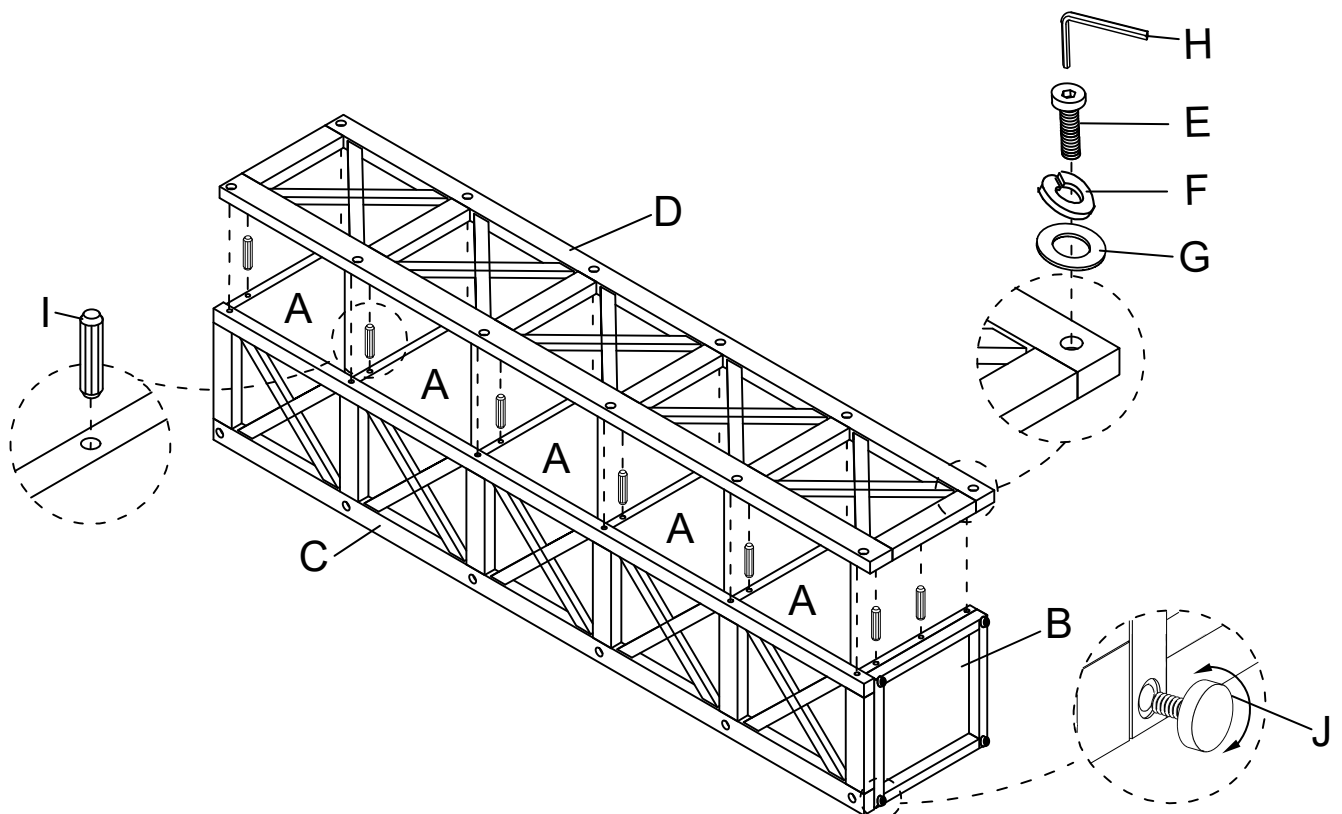


This page lists all the contents included in the box. Please take the time to identify the hardware as well as the individual components to this product. As you unpack and prepare for assembly, place the contents on a carpeted or padded area to protect them from damage.

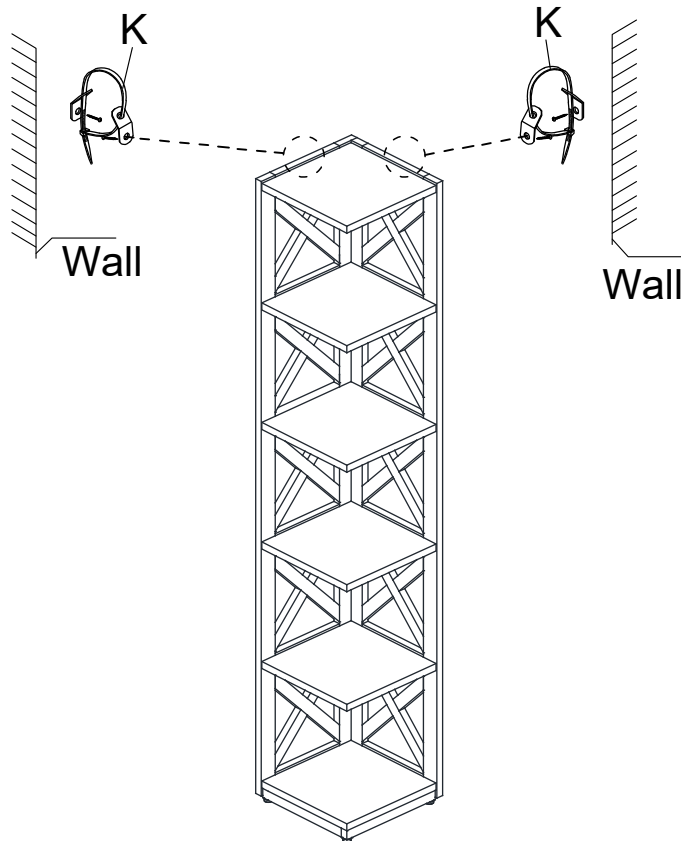
1 Attach Wood Dowel (I) to Shelf (A) and Bottom (B), then attach Shelf (A) and Bottom (B) to the Side Panel (C) using Bolt (E), Lock Washer (F), and Flat Washer (G) with Allen Key (H).



2 Attach Wood Dowel (I) to Shelf (A) and Bottom (B), then attach Back Panel (D) to Shelf (A), Bottom (B), and Side Panel (C) using Bolt (E), Lock Washer (F), and Flat Washer (G) with Allen Key (H). Attach Leveler (J) to the Bottom (B). Turn left or turn right to adjust Leveler (J) until the bookcase is stabilized.



3 Attach Anti-Tipping Kit (K) to the wall: Attach the bracket (horizontally) to the wall using the screw provided. Attach the bracket (horizontally) to the back of the bookcase with the screw provided. Place the bracket as close to the left & right of the back of the bookcase as possible in relation to the wall stud and the desired position in the room. Move the bookcase to its final position. Thread the strap through each bracket and pull it tight.



Cleaning & Care

Treat surface with care. Surface is resistant to scratches but is not scratch resistant. Clean surfaces with a dry or damp soft cloth. Do not use abrasive cleaners. Hardware may loosen over time. Periodically check that all connections are tight.