

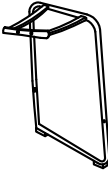






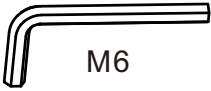
# ASSEMBLY INSTRUCTION



# Component List

LABEL		DESCRIPTION	QTY
A		Seat	1
B		Leg A	1
C		Leg A	1
D		Metal Connector	1

# Hardware List

E	 M6*30MM	Bolts A	2
F	 M8*14MM	Bolts B	2
G	 M6*22MM	Bolts C	4
H	 M6	Allen Wrench	1

1

Fx2pcs



M8\*14MM

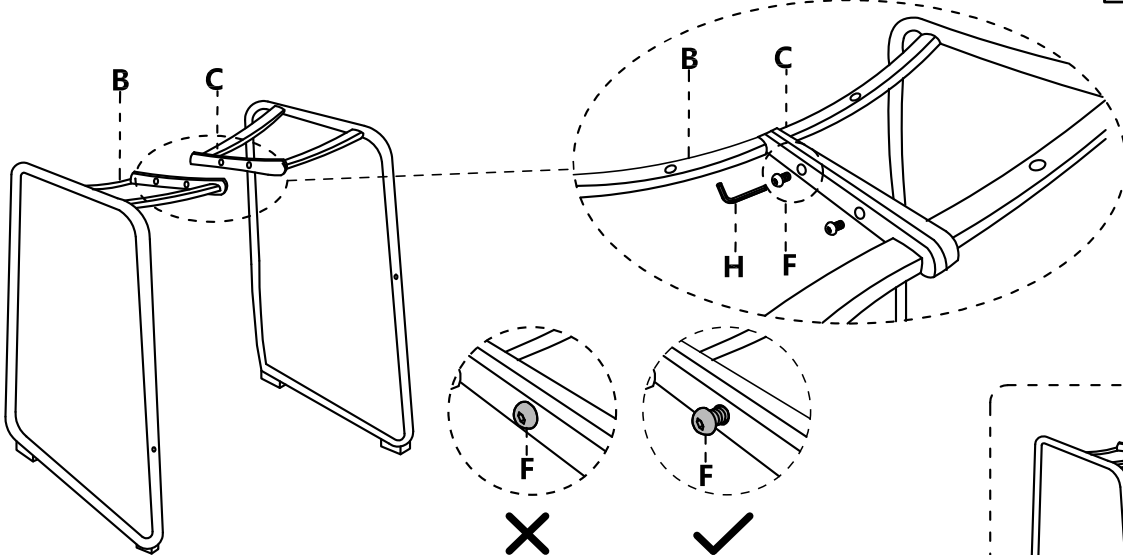
Hx1pc



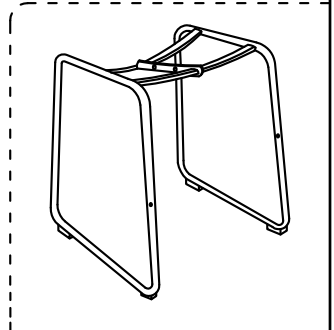
M6



H



Only Screw F in 50%.



2

Ex2pcs



M6\*30MM

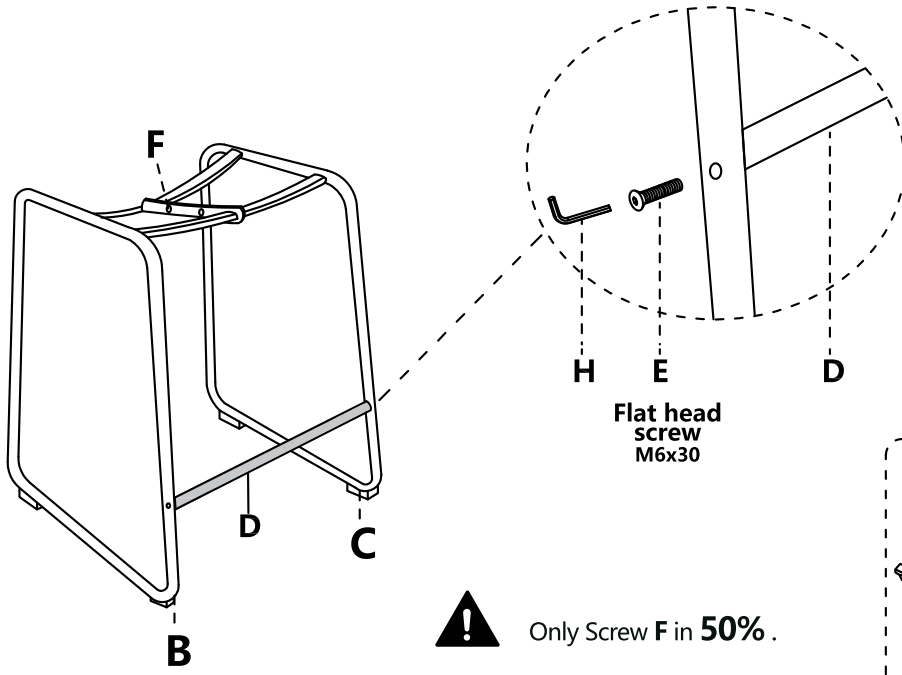
Hx1pc



M6



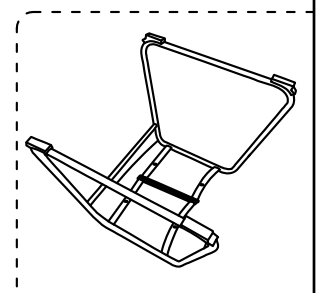
H



Flat head screw  
M6x30



Only Screw F in 50%.



3

Gx4pcs

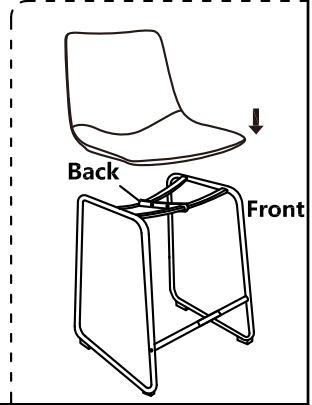
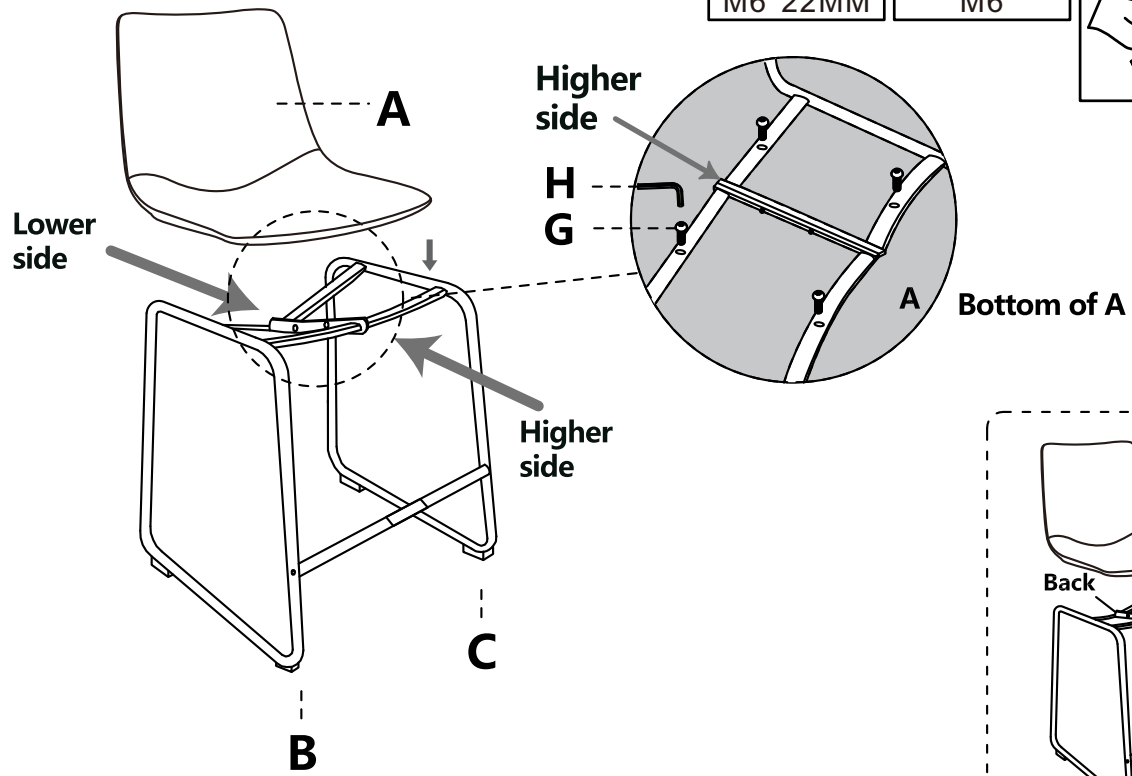
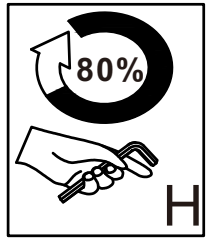


M6\*22MM

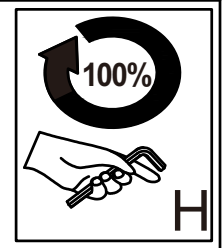
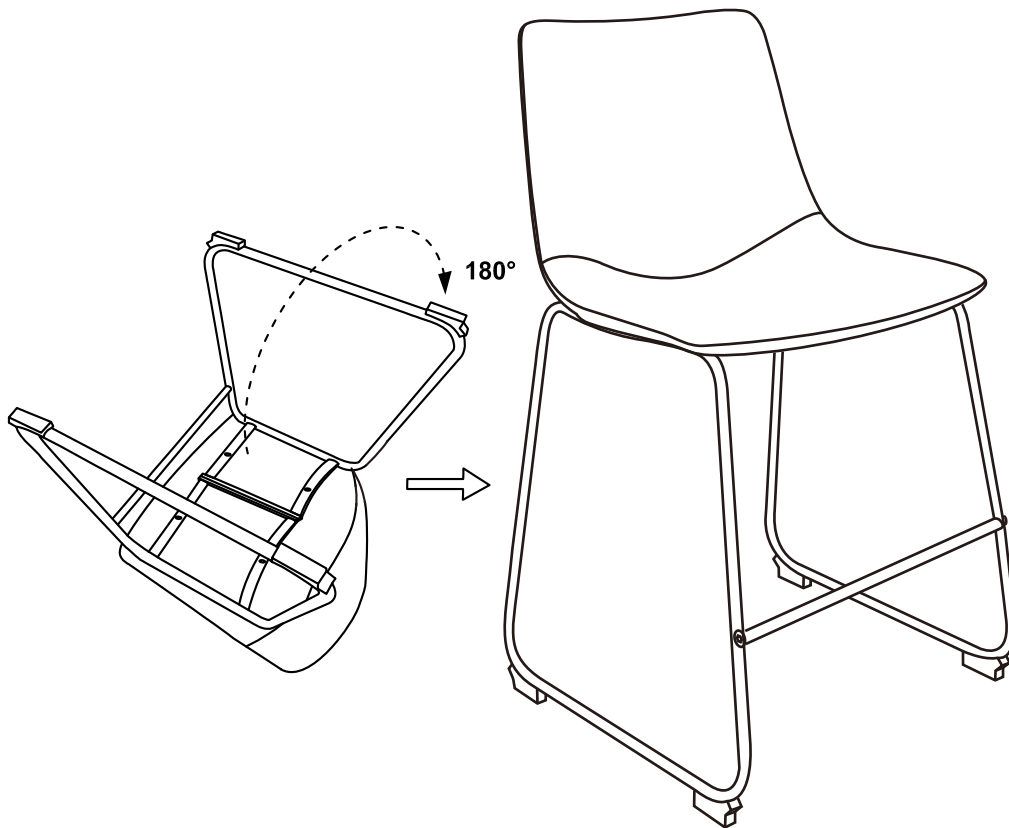
Hx1pc



M6



4



Tighten all the screws to 100%