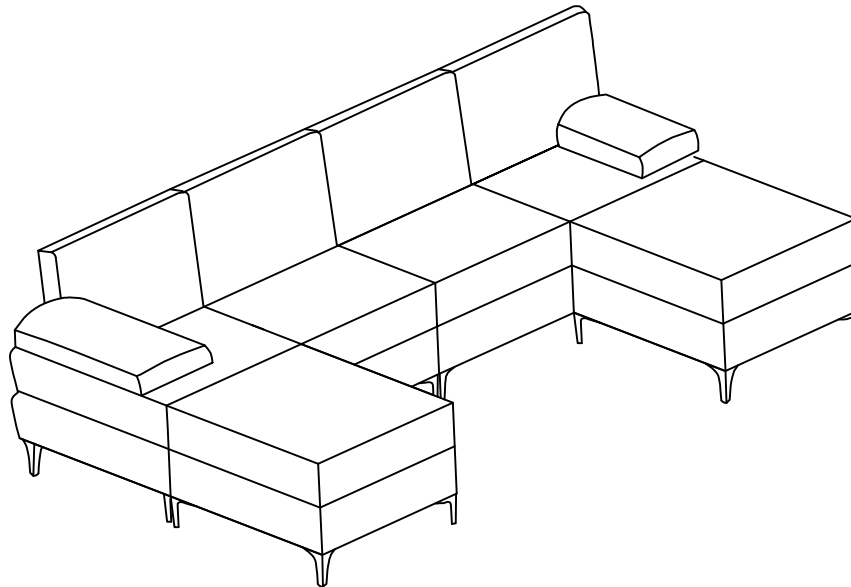


# MODULAR SOFA-6 SEATER

## Assembly Instruction



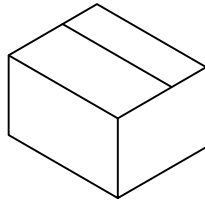
### NOTE:

Delivered MULTIPLE PACKAGES with MULTIPLE TRACKINGS, may NOT be delivered at the same time.

### Dear customers,

Thank you for purchasing our product. Please read this instruction manual carefully after receiving this product. It will help you assemble this product quickly, safely and correctly. You can keep this manual for future reference.

# BOX 1



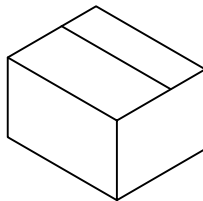
## SOFA PART

(B)		Backrest	x2
(E)		Back Frame	x2
(G)		Seat Cushion	x2
(K)		Seat Cushion	x2

## HARDWARE PART

(a)		Sofa Leg 13cm	x8
(b)		Connector	x4
(c)		Allen Key	x1
(d)		Washer	x16
(e)		Screw	x16

# BOX 2



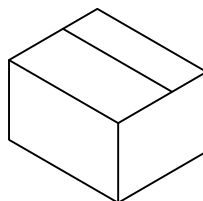
## SOFA PART

(A)		Backrest(L)	x1	(H)		Seat Cushion(R)	x1
(C)		Backrest(R)	x1	(J)		Sofa Base(L)	x1
(D)		Back Frame	x2	(L)		Sofa Base(R)	x1
(F)		Seat Cushion(L)	x1				

## HARDWARE PART

(a)		Sofa Leg 13cm	x8
(b)		Connector	x4
(c)		Allen Key	x1
(d)		Washer	x16
(e)		Screw	x16

# BOX 3



## SOFA PART

(I)		Seat Cushion	x2
(M)		Ottoman Base	x2

## HARDWARE PART

(a)		Sofa Leg 13cm	x8
(b)		Connector	x4
(c)		Allen Key	x1
(d)		Washer	x16
(e)		Screw	x16



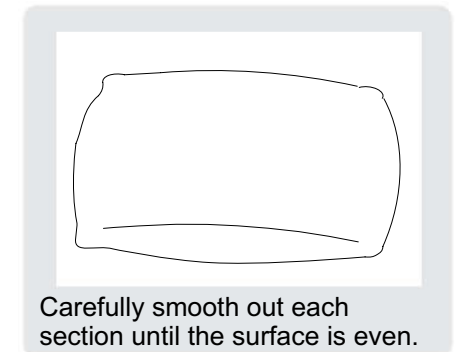
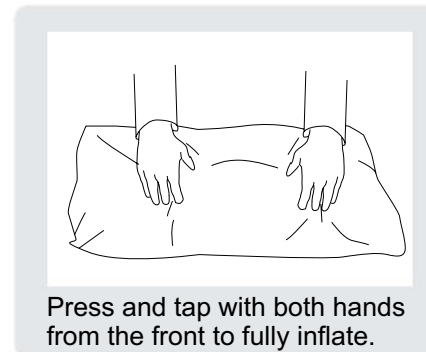
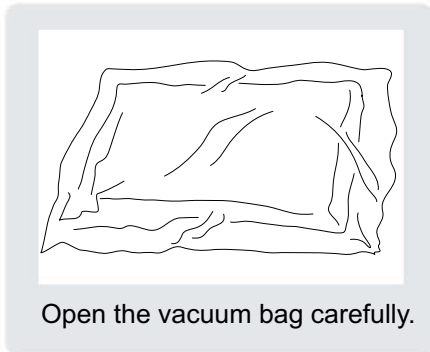
# Safety and Care Advice

**Important - Please read these instructions fully before starting assembly**

Thanks for your purchase. Before the assembly, please follow the instructions to check if all the spare parts and screws are intact.

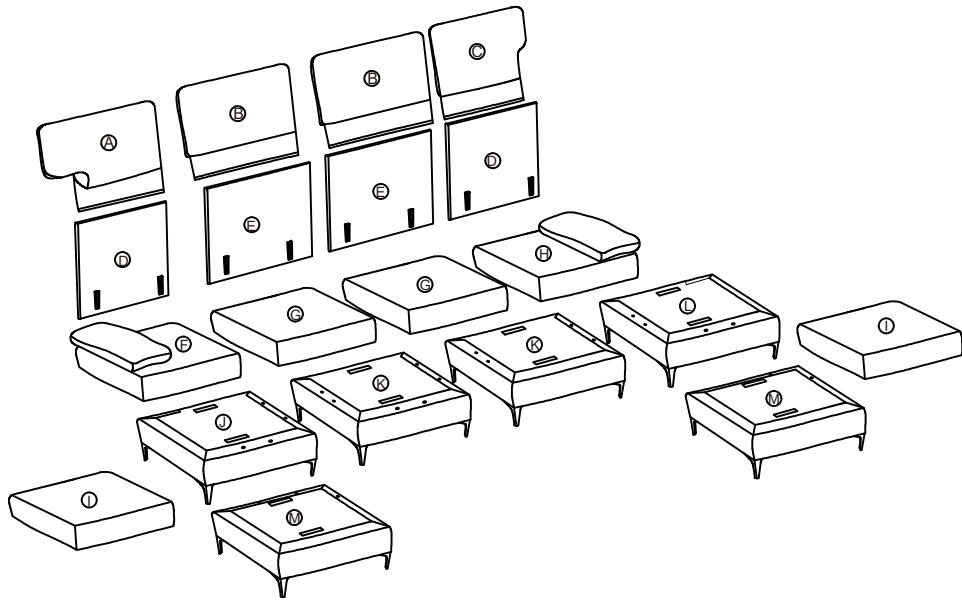
- Considering the size and weight of the sofa, we recommend two adults to assemble the sofa, on a carpeted or padded area in the room that it is intended for. Approximate assembly time: 30 minutes.
- Keep all components and packaging out of reach of children or animals to avoid the risk of choking or suffocation.
- Please do not throw away any of the packaging or instruction until all the components and hardware have been checked and the furniture is fully assembled. Please ensure that the packaging is disposed in a safe and environmentally friendly way.
- Please do not take off the cover, and do not wash.

Your cushions come vacuum packed and sealed for shipping. To restore the cushion's original shape, follow the steps below.

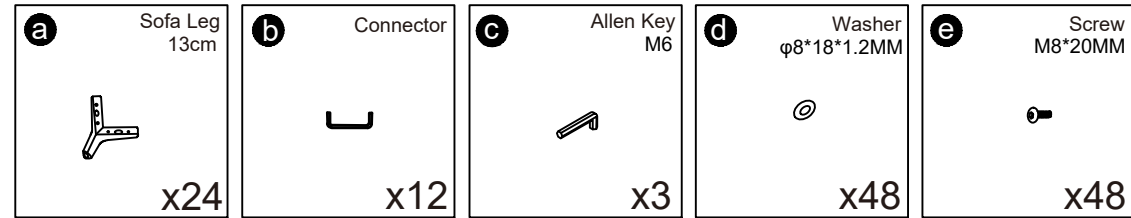


After packing up, place them somewhere dry and ventilated. After about 72-96 hours, it can be restored to its best-use condition.

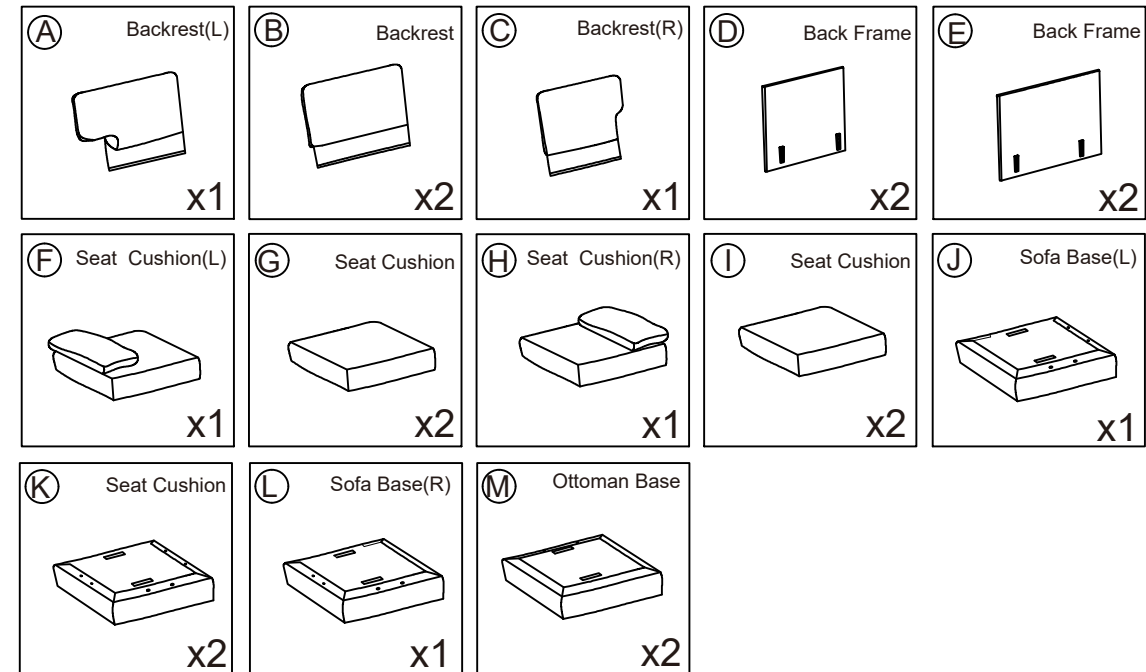
# SOFA



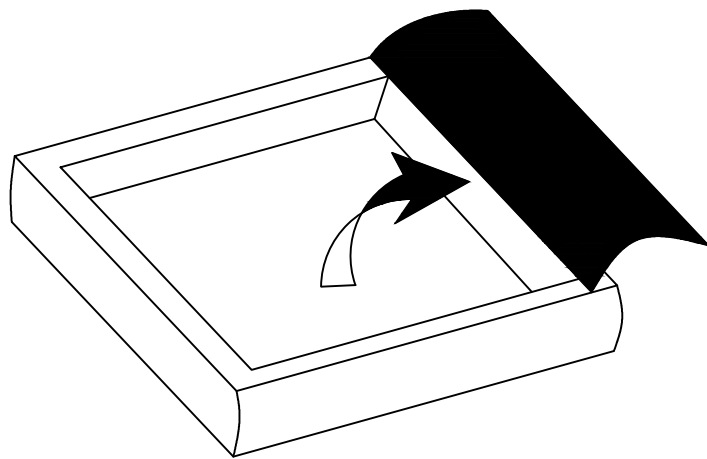
## Hardware parts



## Main structure accessories

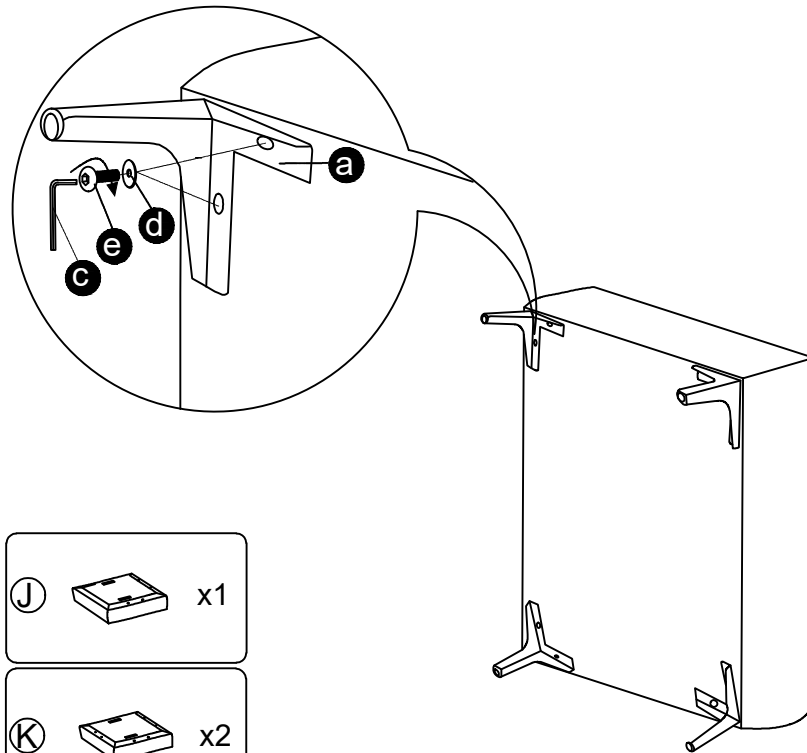


# STEP 1



Take out of the accessories from the bottom of J、K、L、M.

# STEP 2



J  x1

K  x2

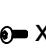
L  x1

M  x2

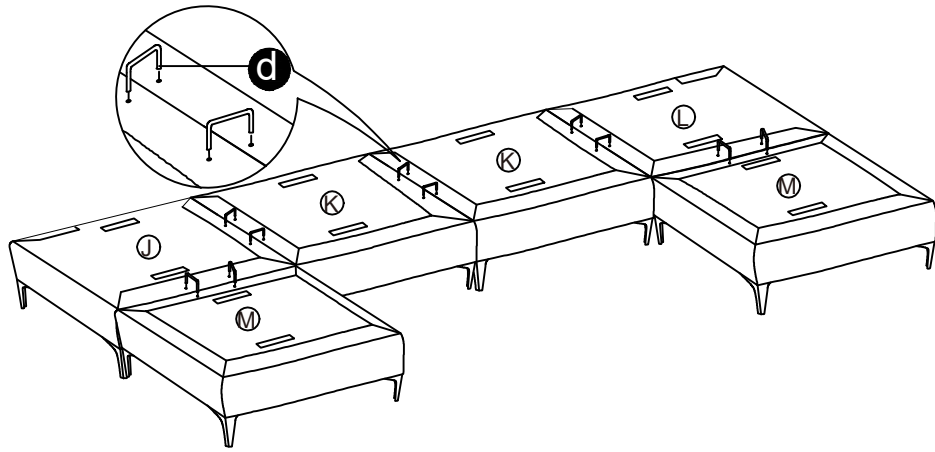
a  x24

d  x48

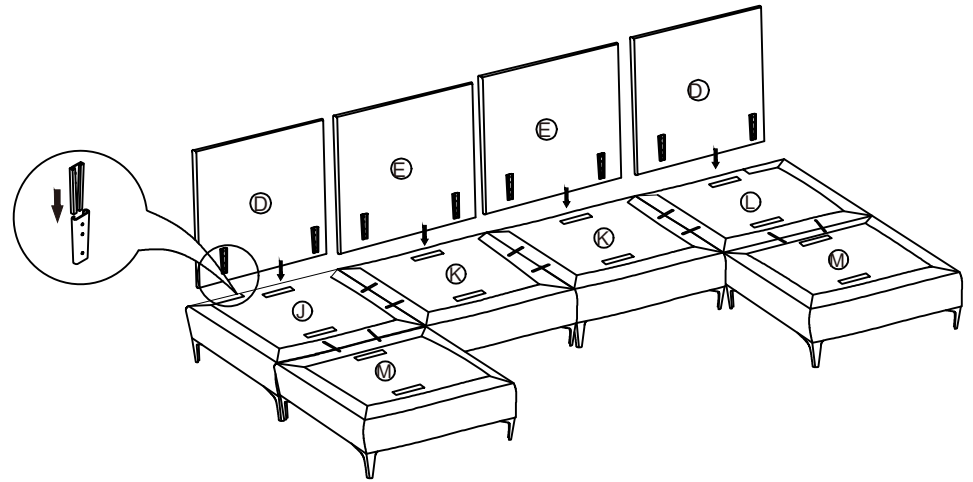
c  x3

e  x48

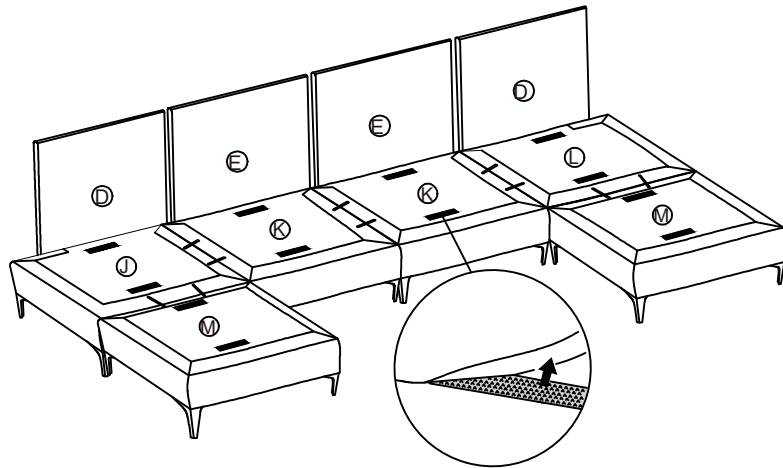
### STEP 3



### STEP 4

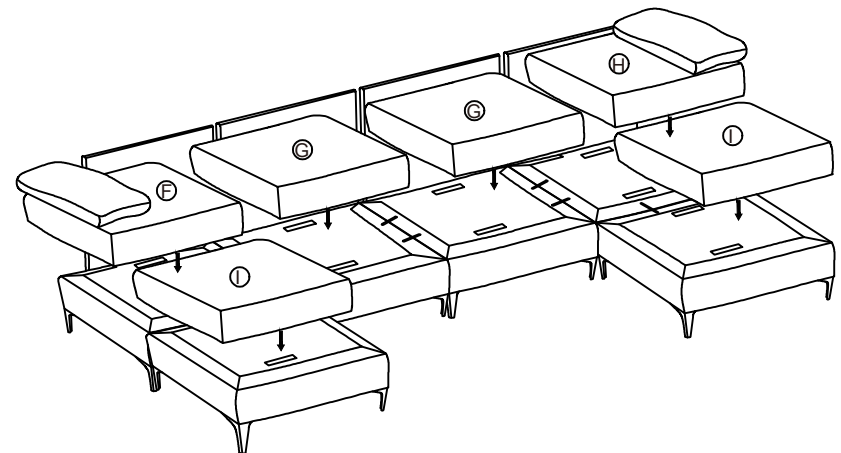


### STEP 5

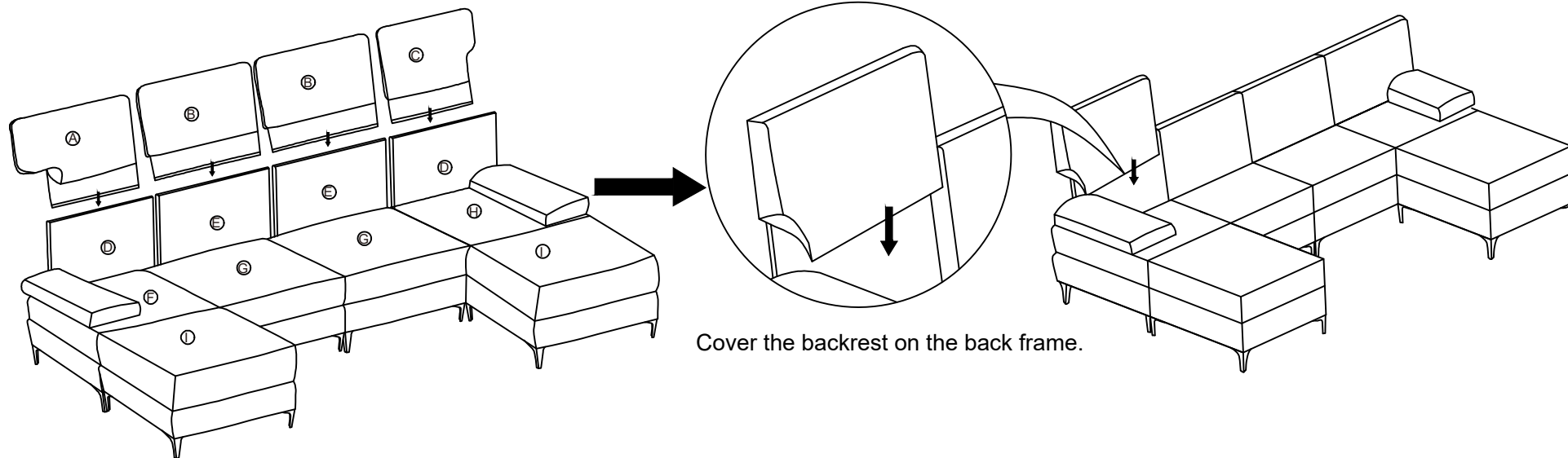


Using Velcro to secure it in place

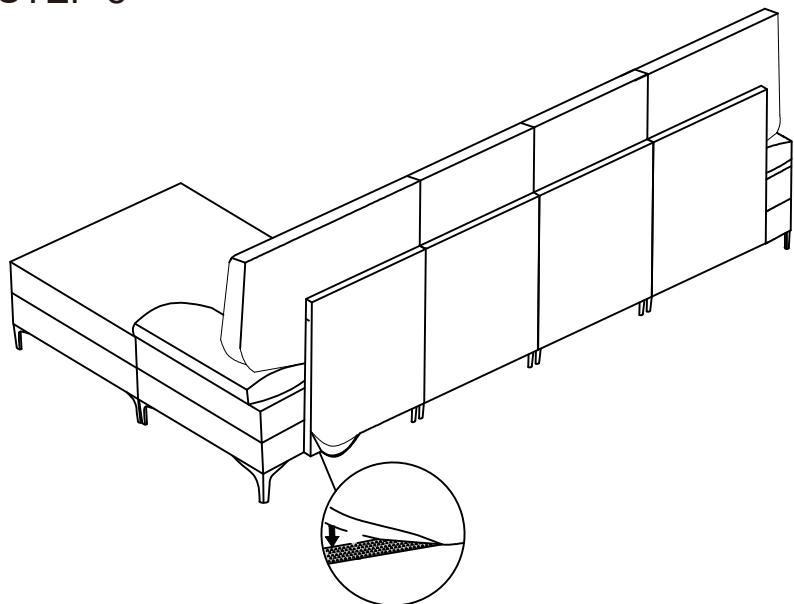
### STEP 6



STEP 7

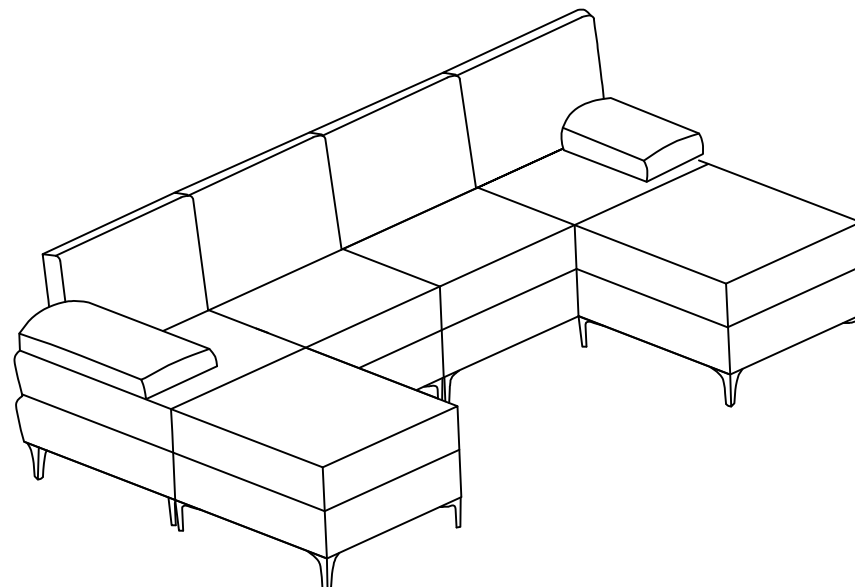


STEP 8



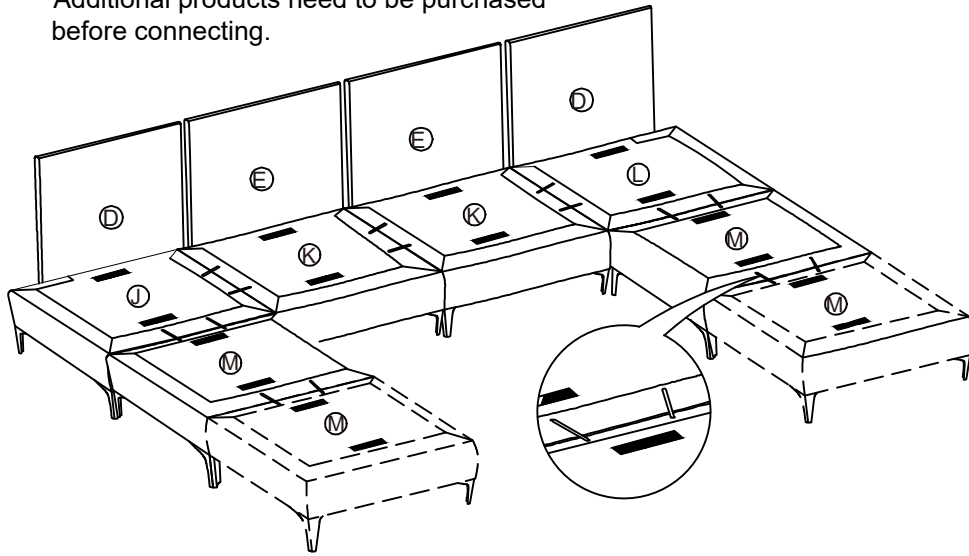
Using Velcro to secure it in place

STEP 9



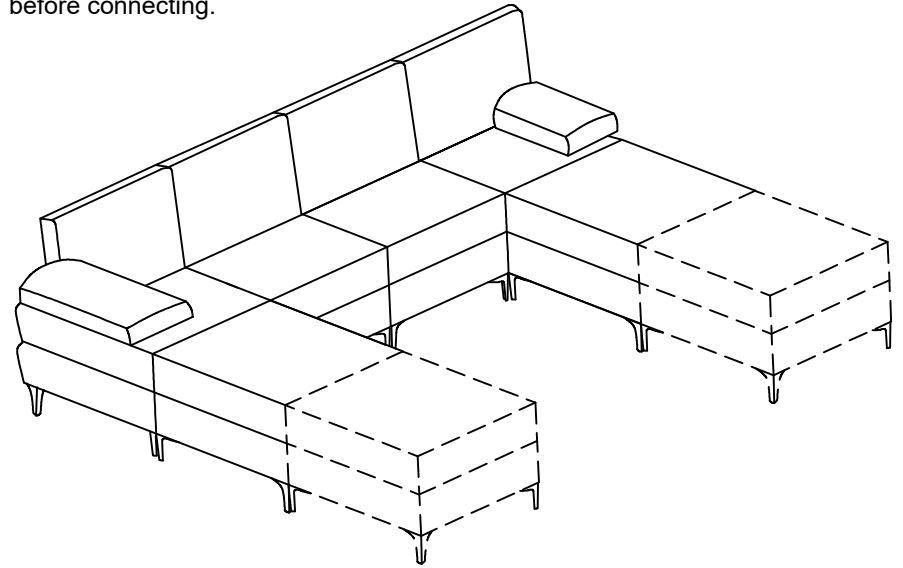
## STEP 10

Additional products need to be purchased before connecting.



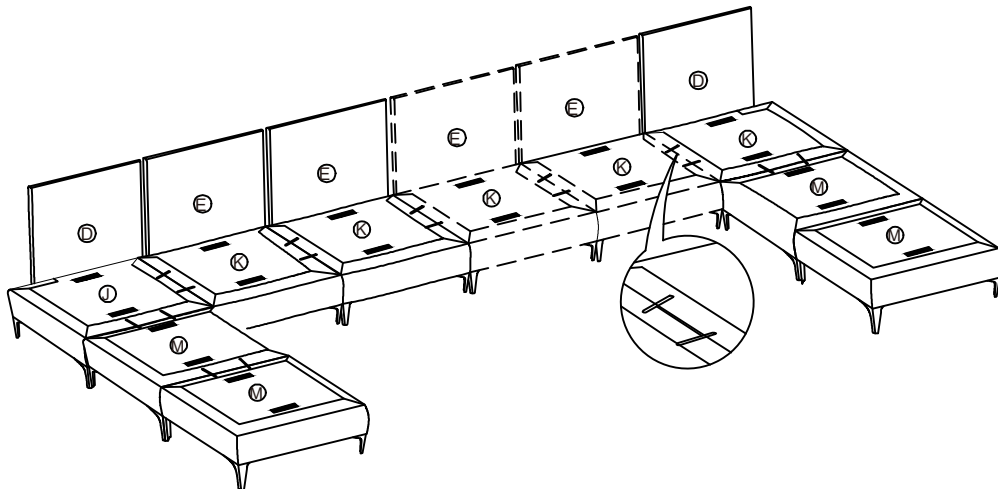
## STEP 11

Additional products need to be purchased before connecting.



## STEP 12

Additional products need to be purchased before connecting.



## STEP 13

Additional products need to be purchased before connecting.

