

ASSEMBLY INSTRUCTION

Thank you for purchasing this quality product. Be sure to check all packing material carefully for small parts which may have come loose inside the carton during shipment. Separate, identify and count all parts and hardware. Compare with the parts list to be sure all parts are present.

IMPORTANT : PLEASE READ INSTRUCTION BEFORE STARTING THE ASSEMBLY.

"DO NOT TIGHTEN SCREWS UNTIL COMPLETELY ASSEMBLED"

"DO NOT OVERTIGHT ANY HARDWARE"

WARNING : SMALL PARTS AND HARDWARE NOT FOR CHILDREN UNDER 3 YEARS. ADULT ASSEMBLY REQUIRED.

TABLE OF CONTENTS

HARDWARES LIST

PAGE 2 - 3

PARTS LIST

PAGE 3 - 4

PARTS' LOCATION

PAGE 5

ASSEMBLY STEPS

PAGE 6 - 21

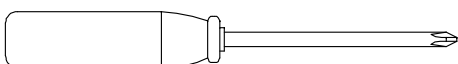
ASSEMBLY COMPLETED

PAGE 21

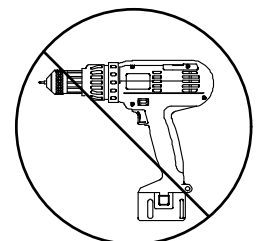
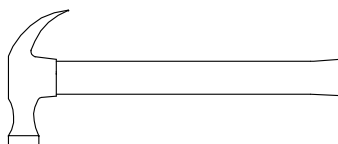
ASSEMBLY TOOLS REQUIRED

Skip the power drill this time.



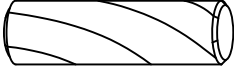

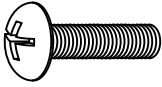
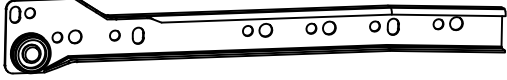
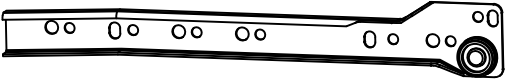

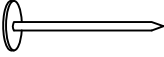
1. Screwdriver (not provide)




2. Hammer (not provide)



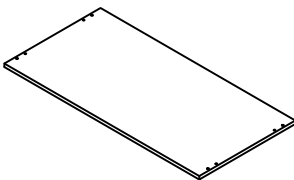
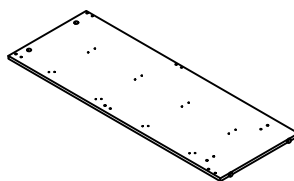
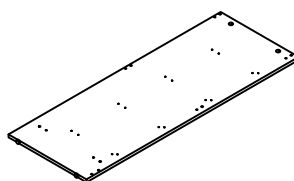
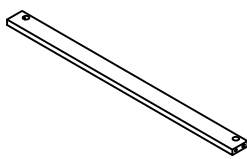
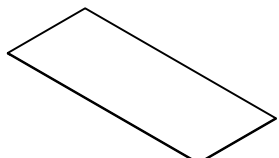
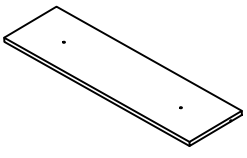
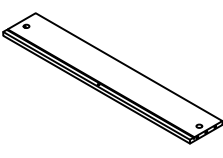
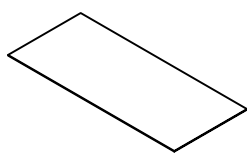
HARDWARES LIST

ITEM	DESCRIPTION	DRAWING	QTY
A	MINIFIX CAM LOCK		42 PCS
B	MINIFIX CAM BOLT		42 PCS
C	WOOD DOWEL (M6 x 25MM)		50 PCS
D	HANDLE		8 PCS
E	TRUSS M-SCREW (16MM)		8 PCS
F	LEFT DRAWER SLIDE		4 PCS
G	RIGHT DRAWER SLIDE		4 PCS
H	CSK SCREW M3 X 10MM		32 PCS
i	6/8" NAIL		22 PCS

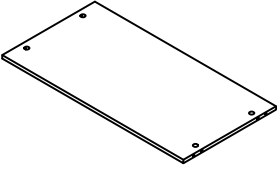
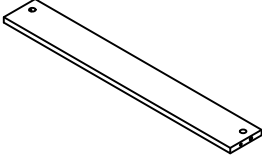
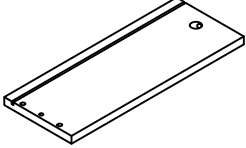
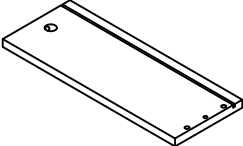
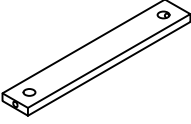
HARDWARES LIST

ITEM	DESCRIPTION	DRAWING	QTY
J	PLASTIC STRIP (H SHAPE)		1 PC

PARTS LIST

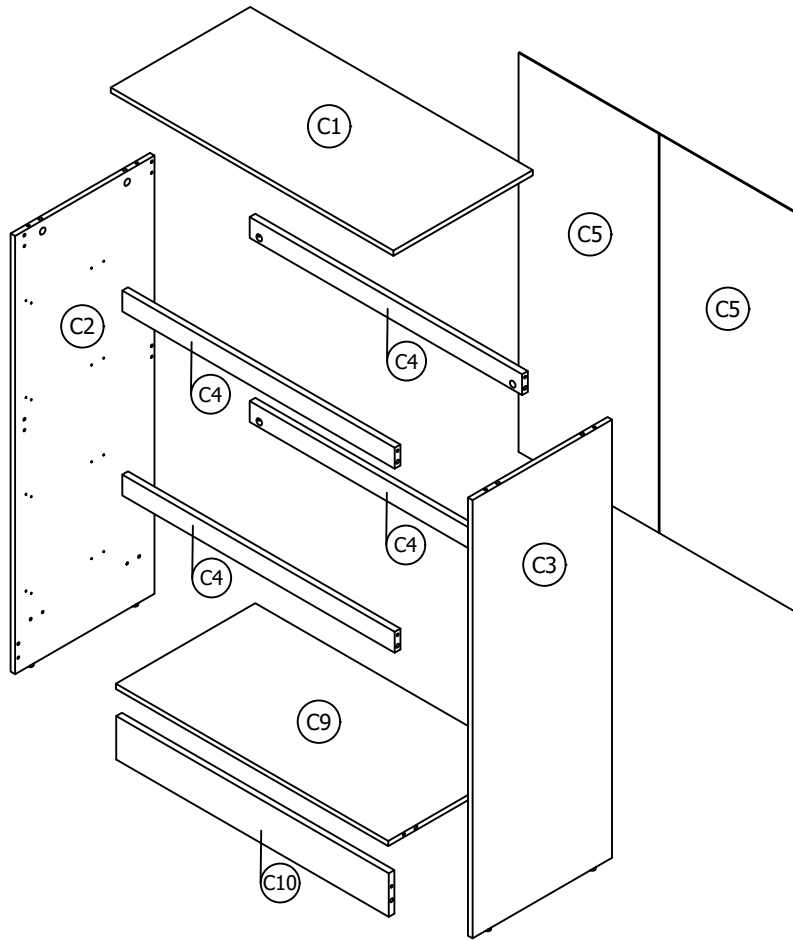
ITEM	DESCRIPTION	DRAWING	QTY
C1	TOP PANEL		1 PC
C2	LEFT PANEL		1 PC
C3	RIGHT PANEL		1 PC
C4	SUPPORT RAIL		4 PCS
C5	BACK PANEL		2 PCS
C6	DRAWER HEAD		4 PCS
C7	DRAWER BACK PANEL		4 PCS
C8	DRAWER BOTTOM PANEL		4 PCS

PARTS LIST

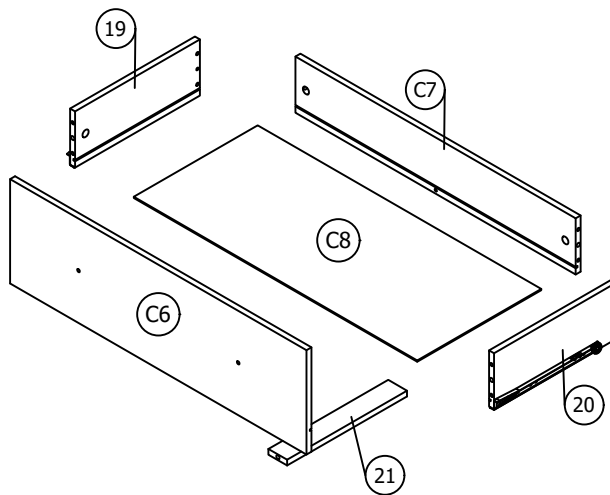
ITEM	DESCRIPTION	DRAWING	QTY
C9	BOTTOM PANEL		1 PC
C10	BOTTOM RAIL		1 PC
19	DRAWER LEFT PANEL		4 PCS
20	DRAWER RIGHT PANEL		4 PCS
21	DRAWER BOTTOM SUPPORT RAIL		4 PCS

PARTS ' LOCATION

CHEST x 1 PC



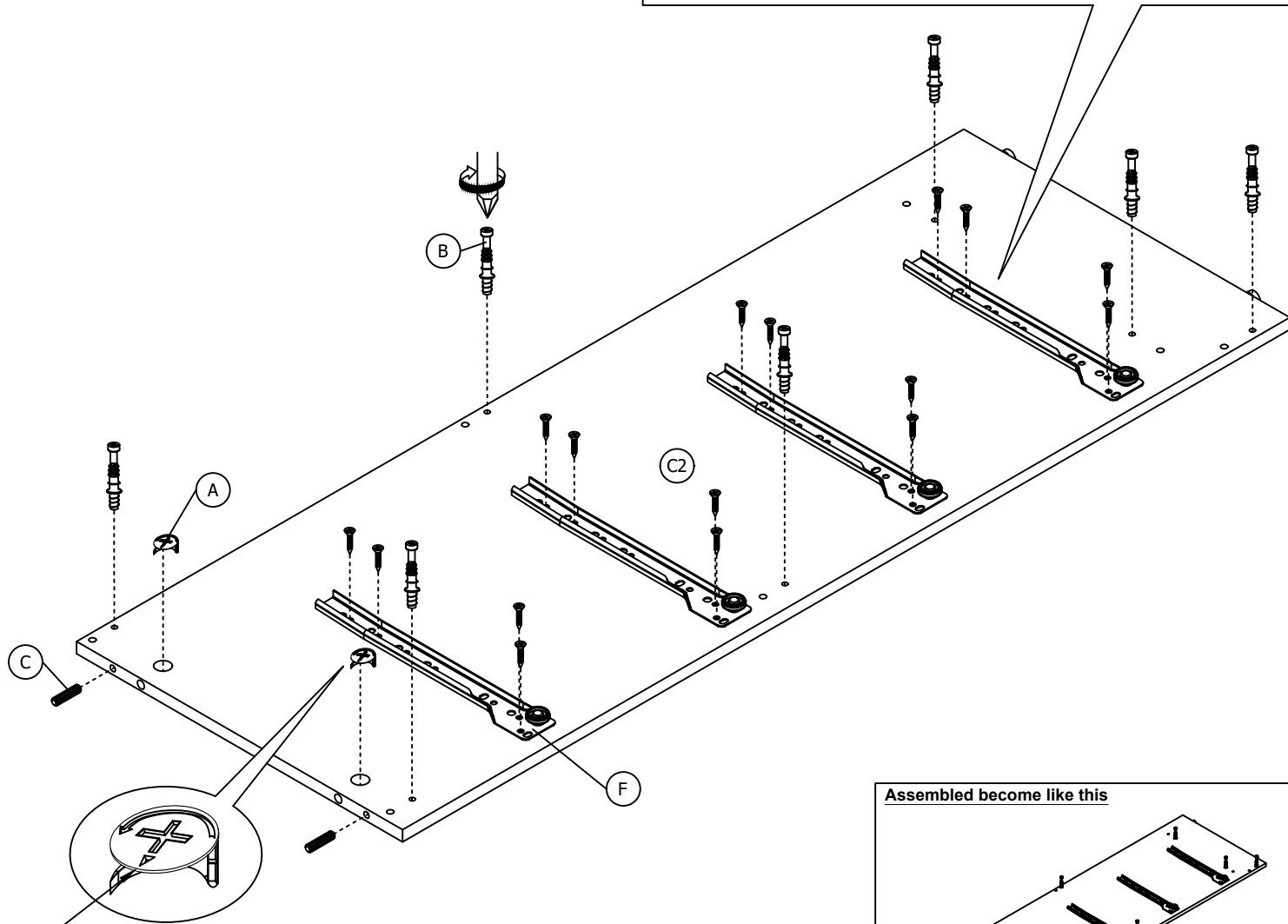
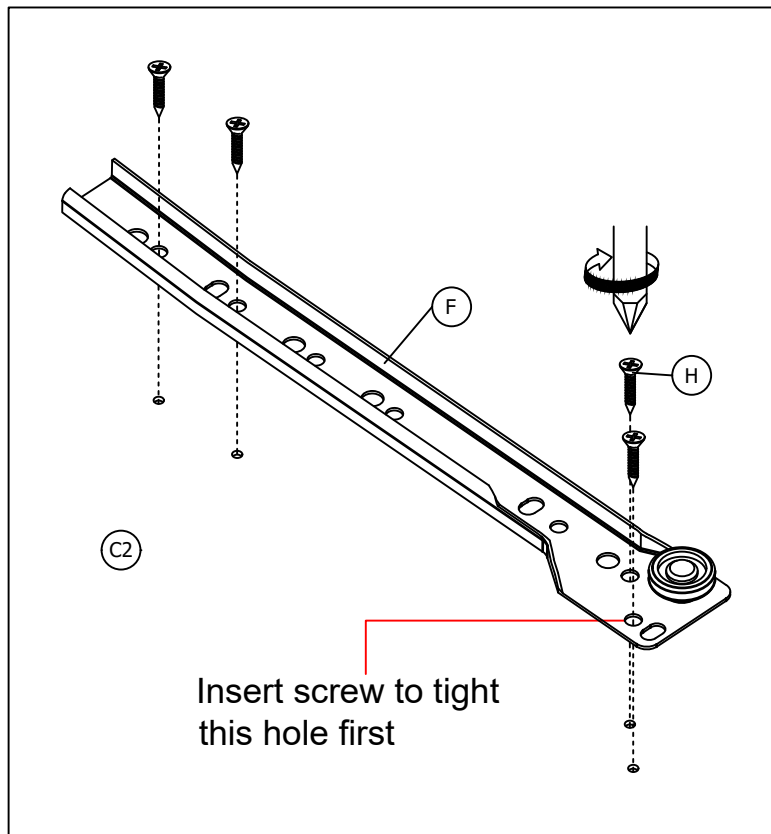
DRAWER x 4 PCS



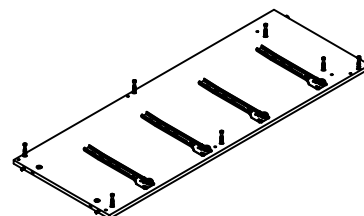
ASSEMBLY STEPS

STEP 1

Fix 4 pieces (F) to (C2) by using 16 pieces (H).
Then insert 2 pieces (A) and (C), 7 pieces (B) as shown.

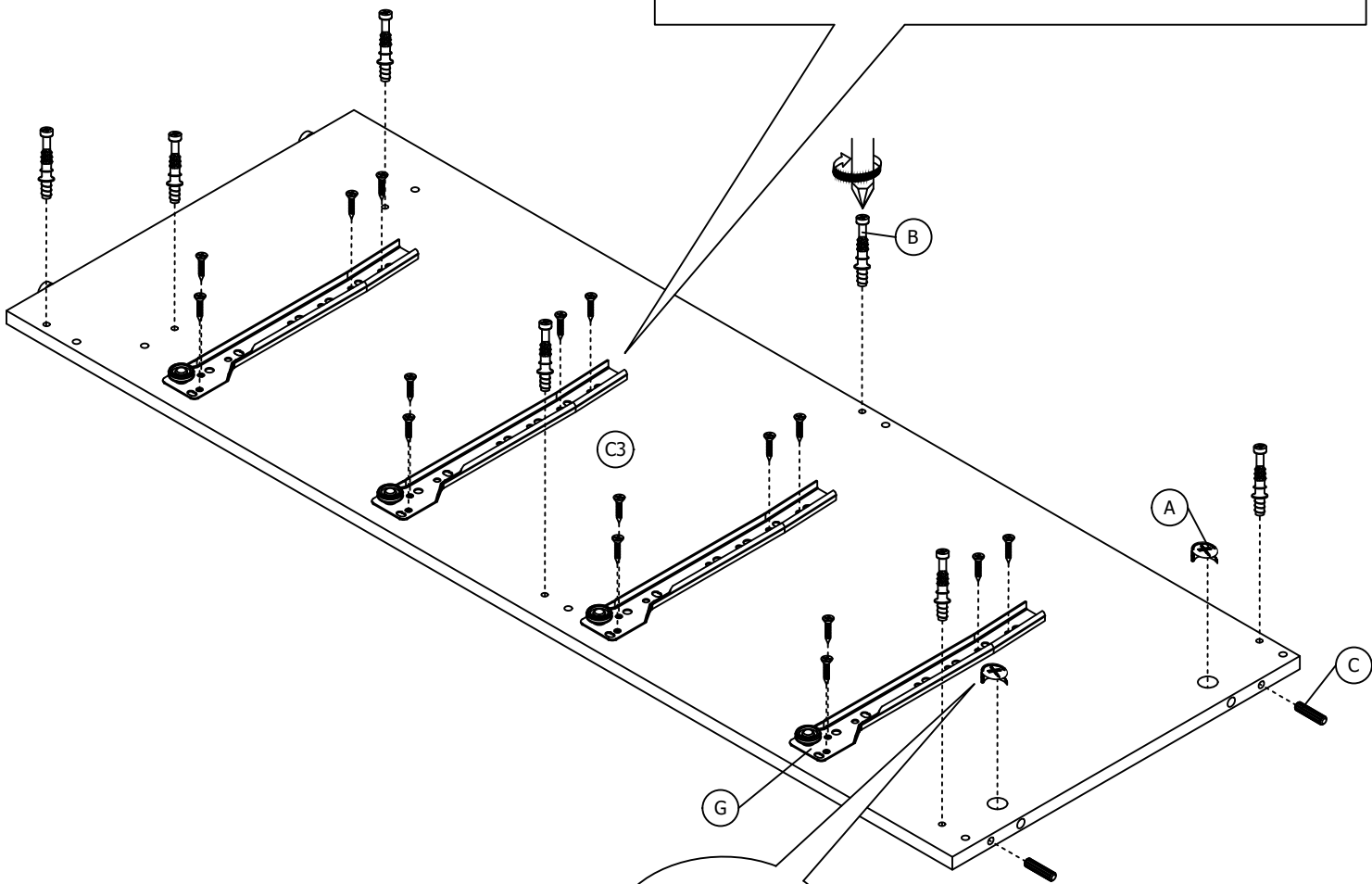
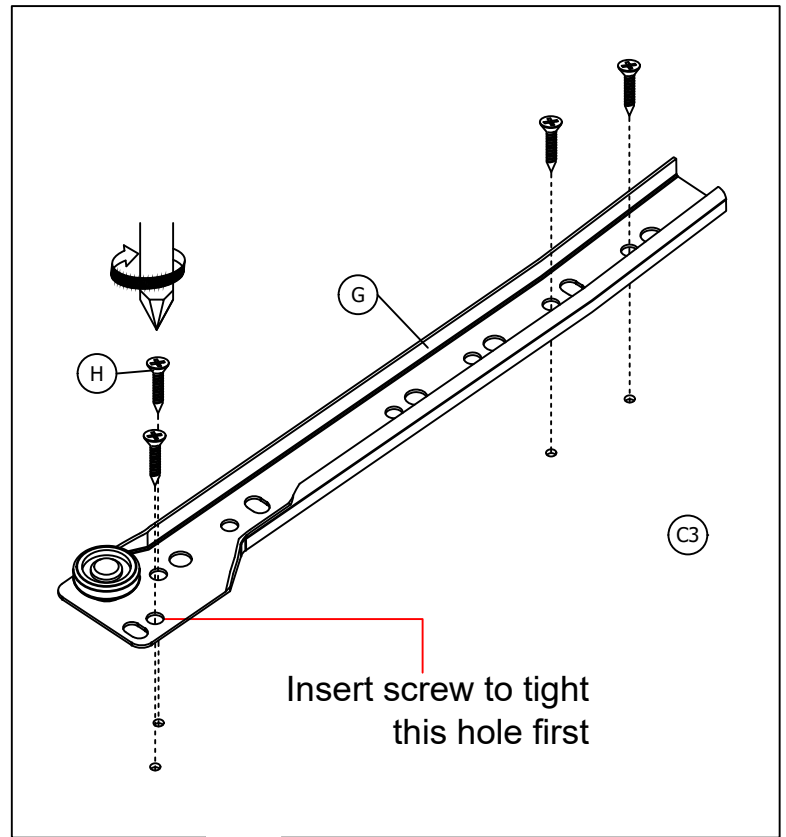


Assembled become like this



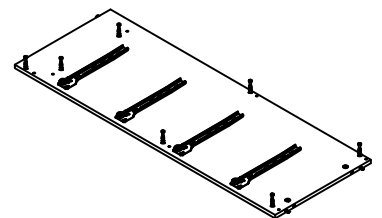
STEP 2

Fix 4 pieces (G) to (C3) by using 16 pieces (H).
Then insert 2 pieces (A) and (C), 7 pieces (B) as shown.



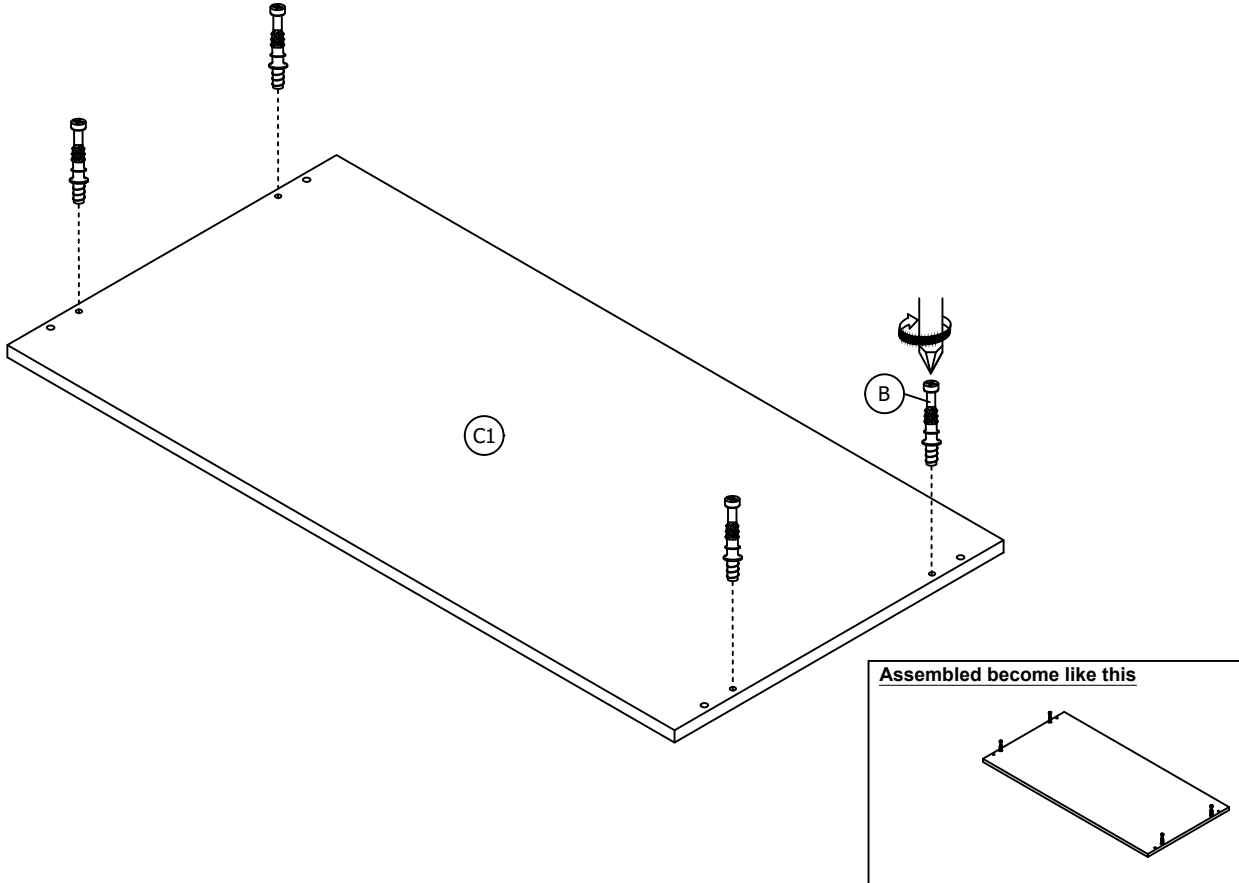
Arrow need to face outside:

Assembled become like this



STEP 3

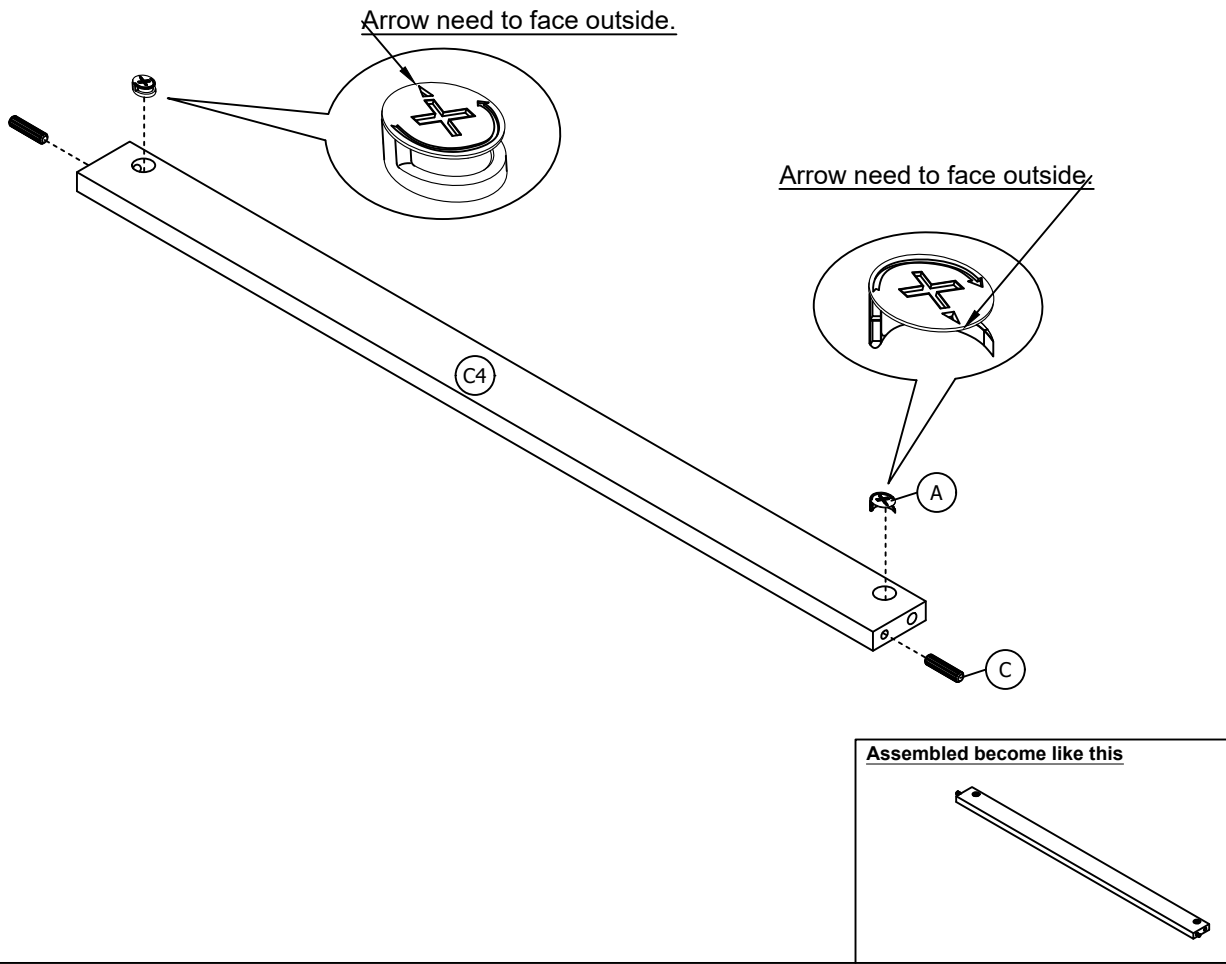
Insert 4 pieces (B) to the (C1) as shown.



STEP 4

Insert 2 pieces (A) and (C) to the (C4) as shown.

x 4

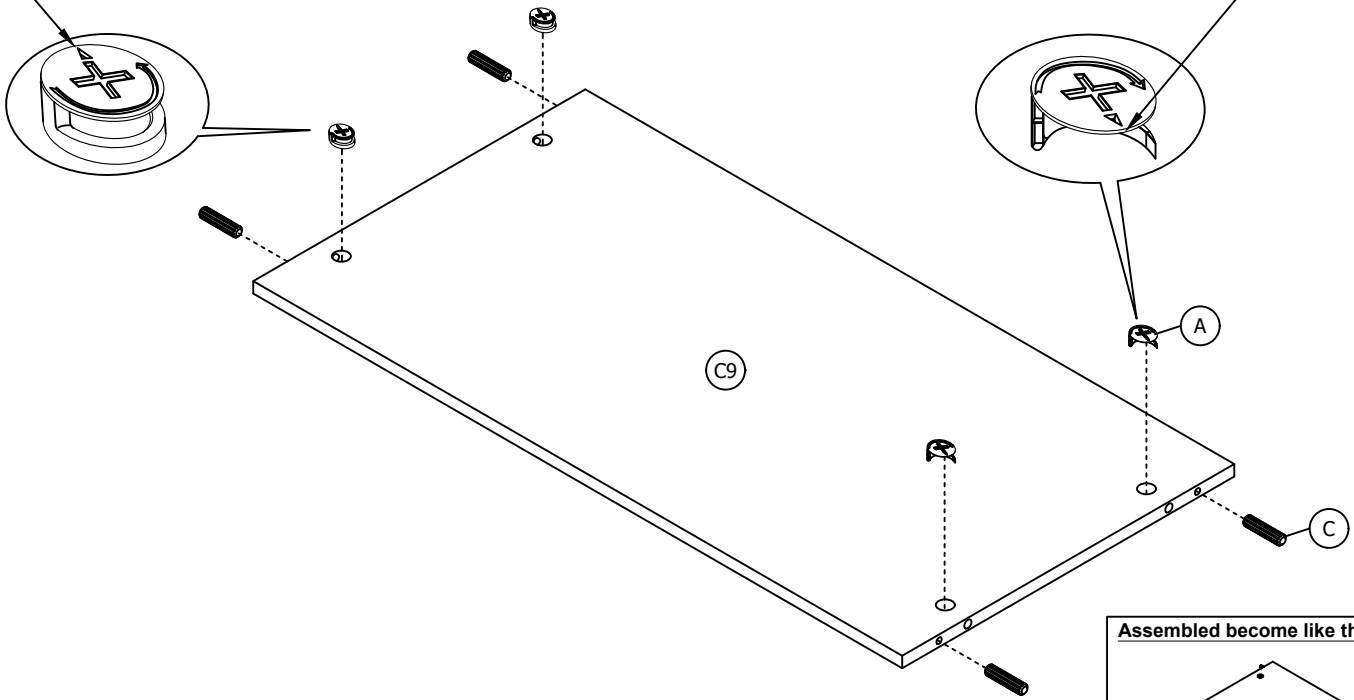


STEP 5

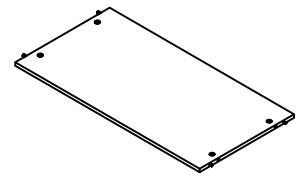
Insert 4 pieces (A) and (C) to the (C9) as shown.

Arrow need to face outside.

Arrow need to face outside.



Assembled become like this

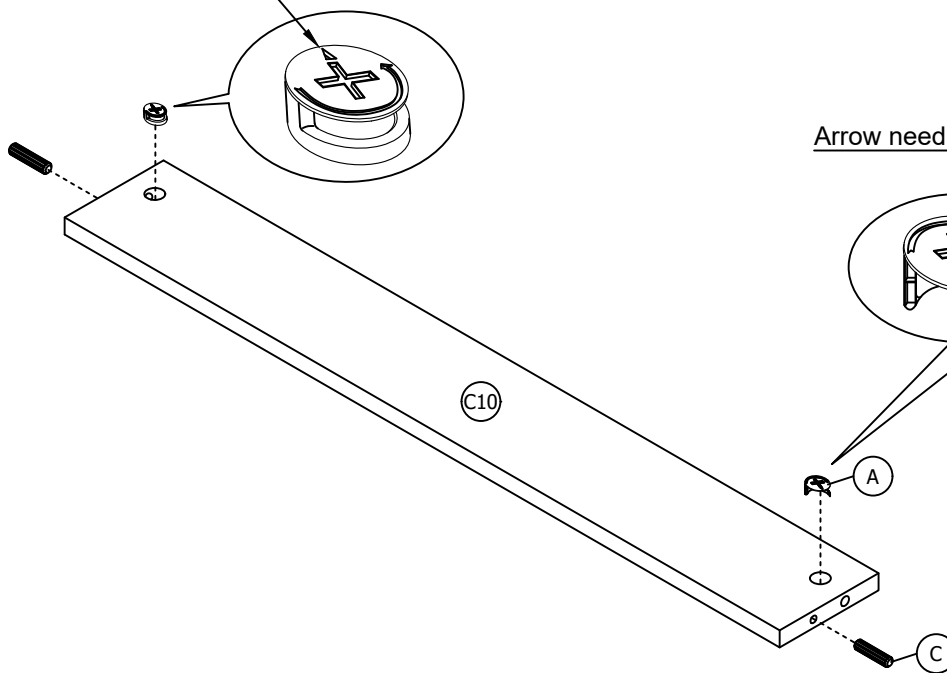


STEP 6

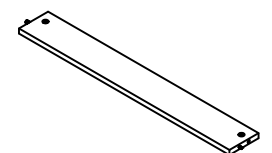
Insert 2 pieces (A) and (C) to the (C10) as shown.

Arrow need to face outside.

Arrow need to face outside.

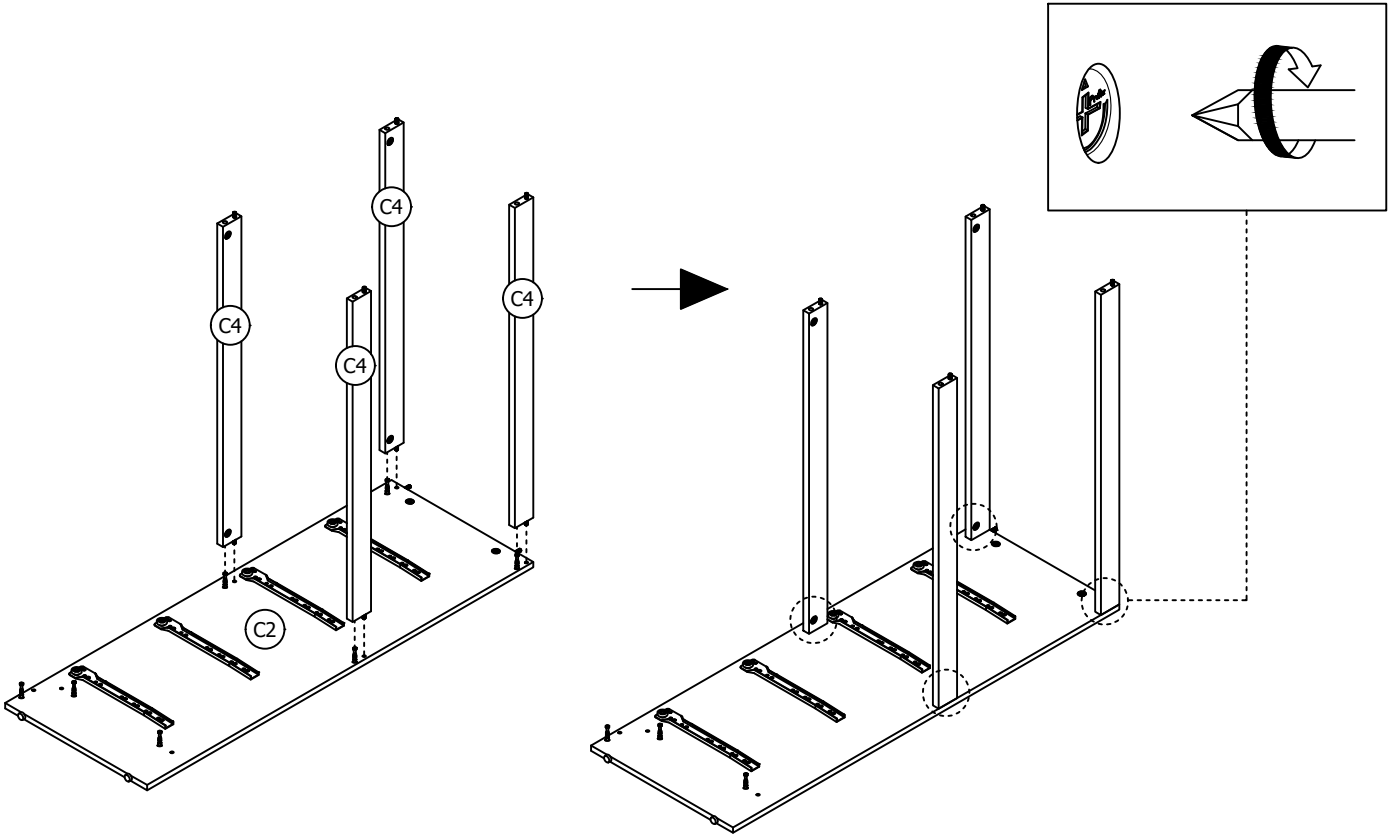


Assembled become like this



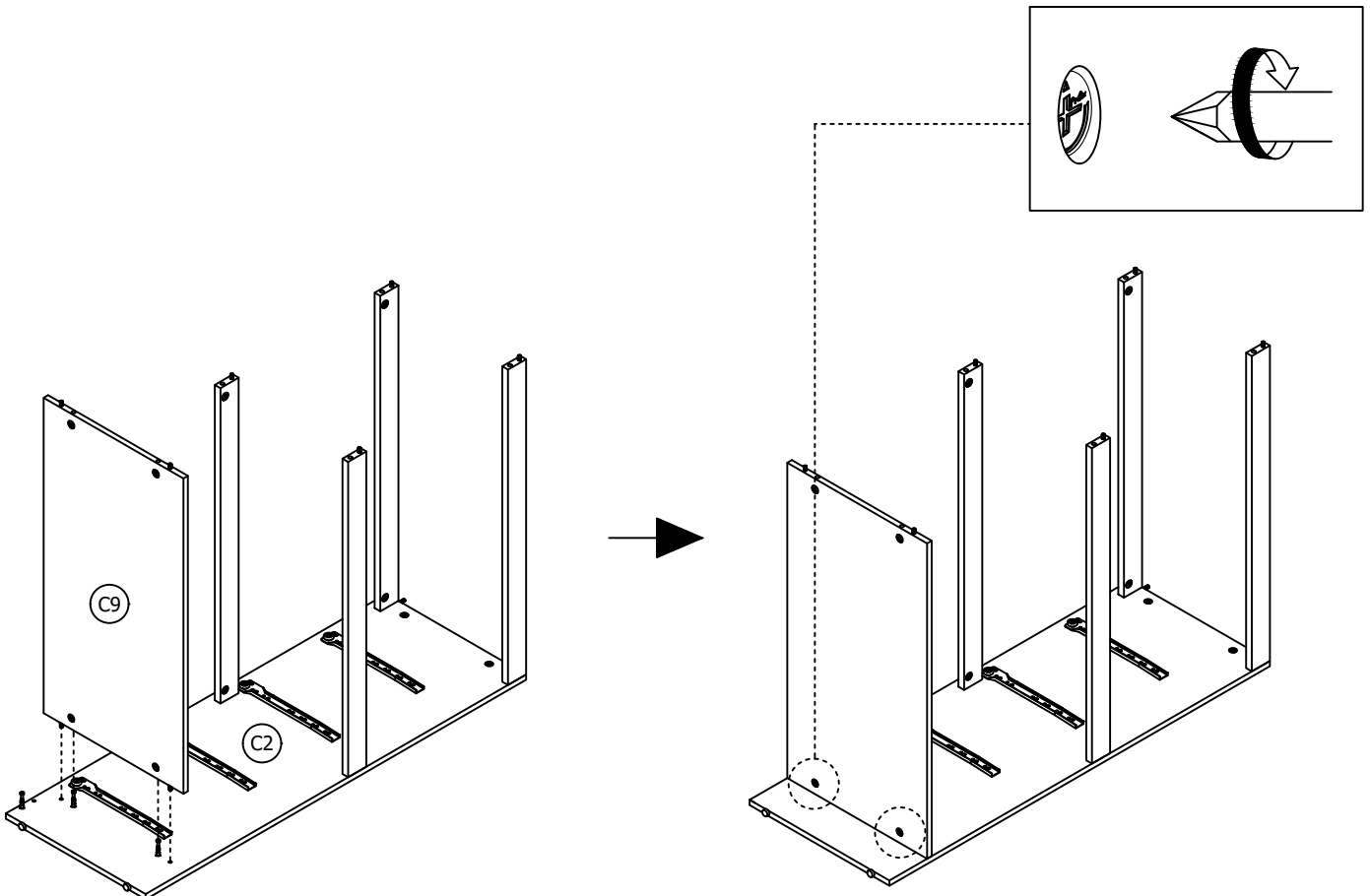
STEP 7

Combine the (C4) to the (C2), tighten the 4 pieces (A)-(pre insert in step 4) as shown.



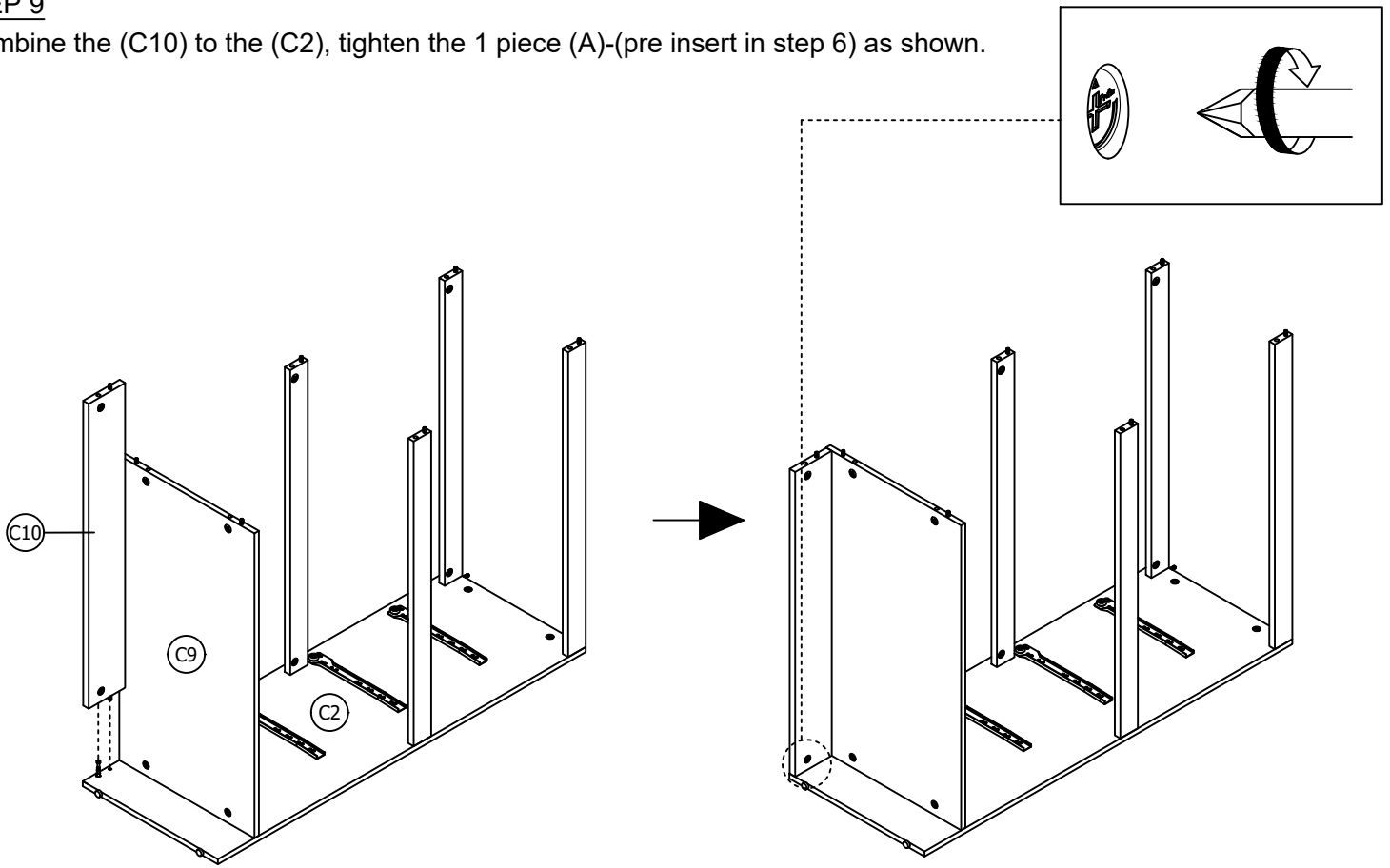
STEP 8

Combine the (C9) to the (C2), tighten the 2 pieces (A)-(pre insert in step 5) as shown.



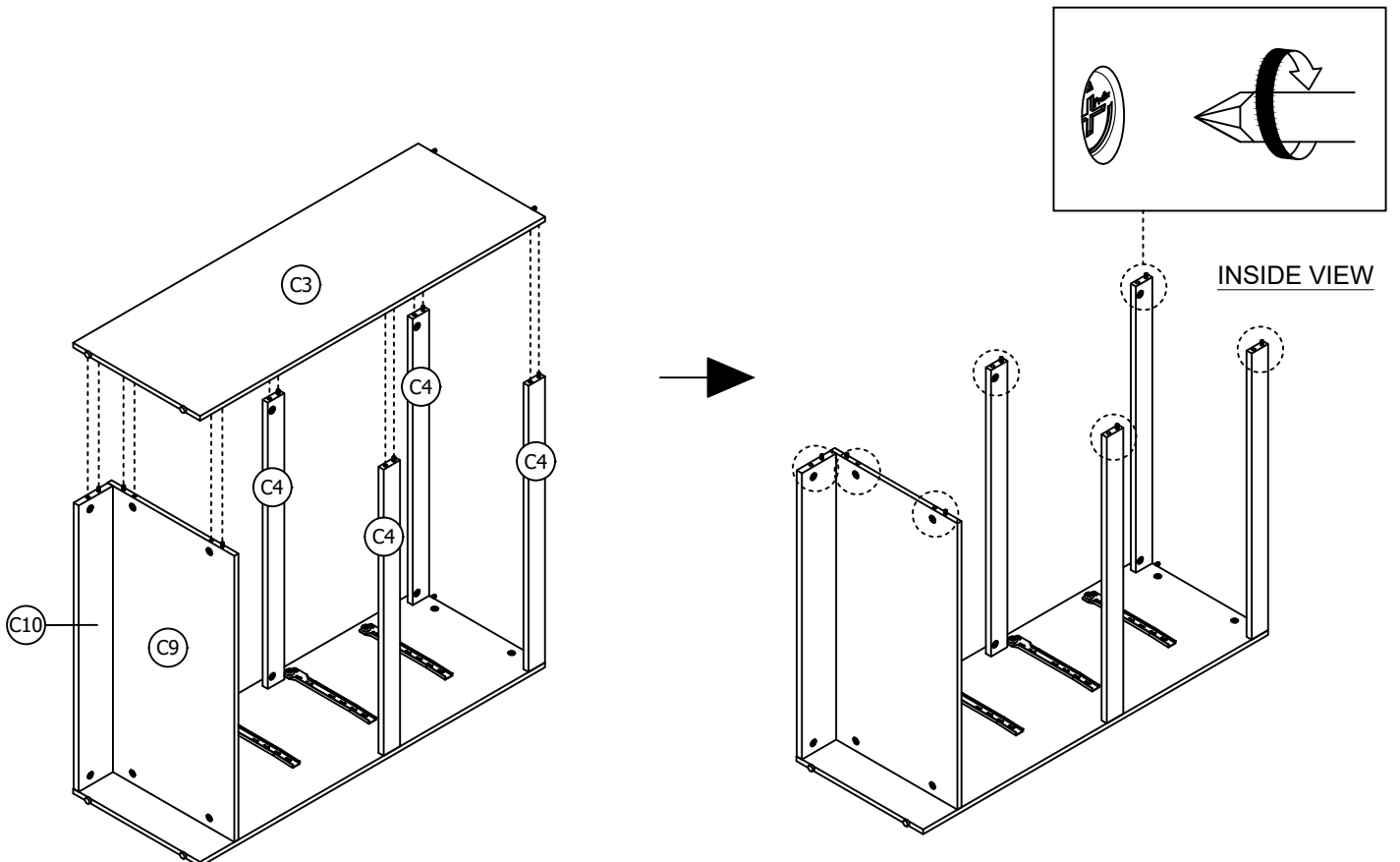
STEP 9

Combine the (C10) to the (C2), tighten the 1 piece (A)-(pre insert in step 6) as shown.



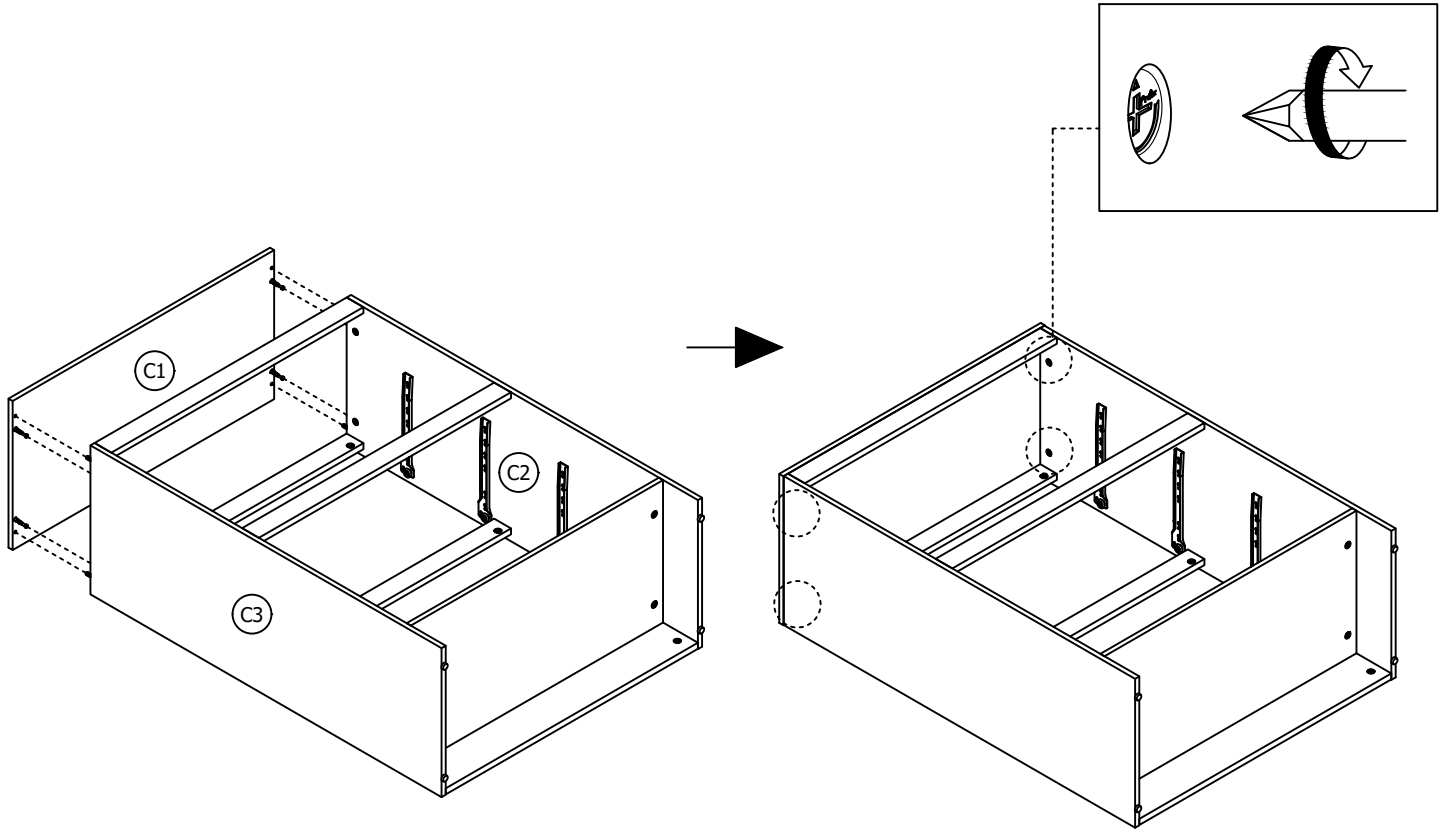
STEP 10

Combine the (C3) to the (C4), (C9) and (C10), tighten the 7 pieces (A)-(pre insert in step 4 to 6) as shown.



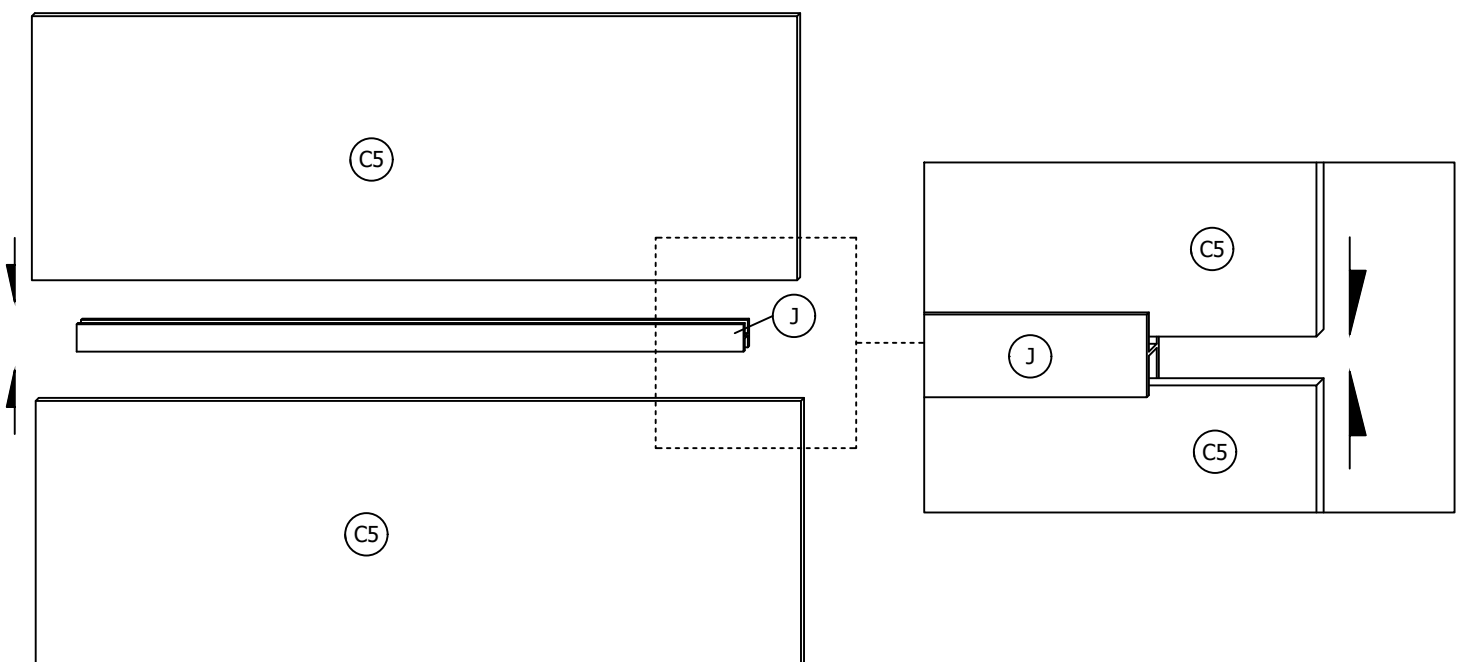
STEP 11

Combine the (C1) to the (C2) and (C3), tighten the 4 pieces (A)-(pre insert in step 1 and 2) as shown.



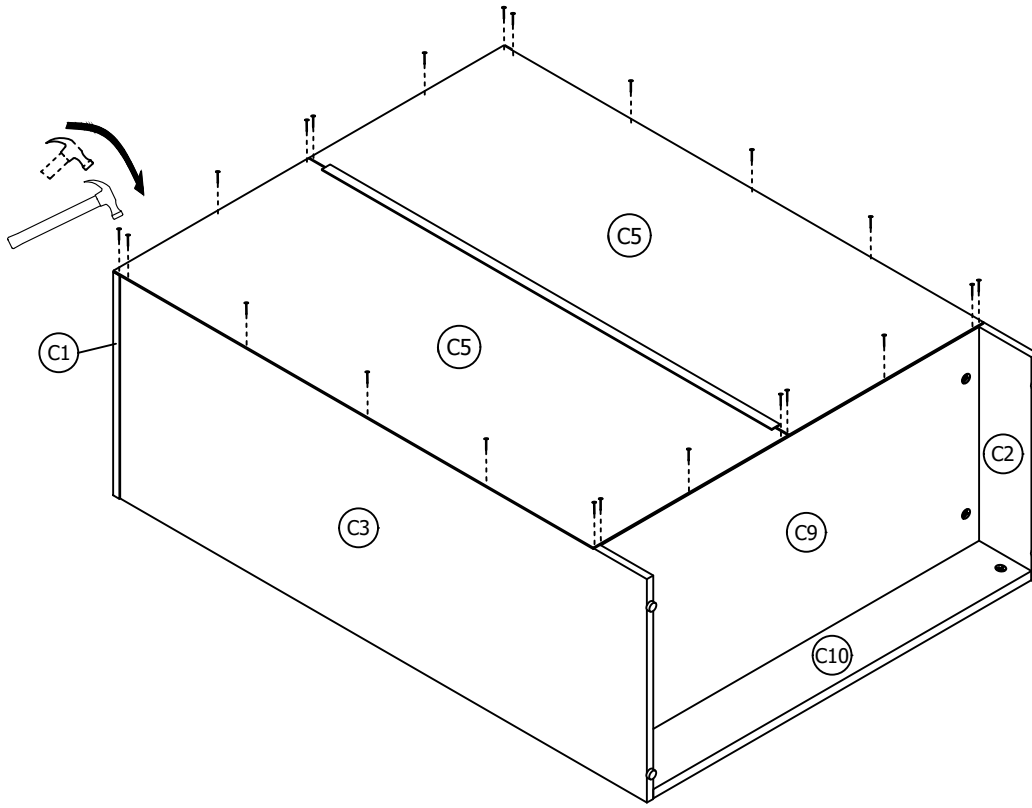
STEP 12

Put the (C5) to the gap of (J) as shown. Direction of the side with colored paper must be the same.



STEP 13

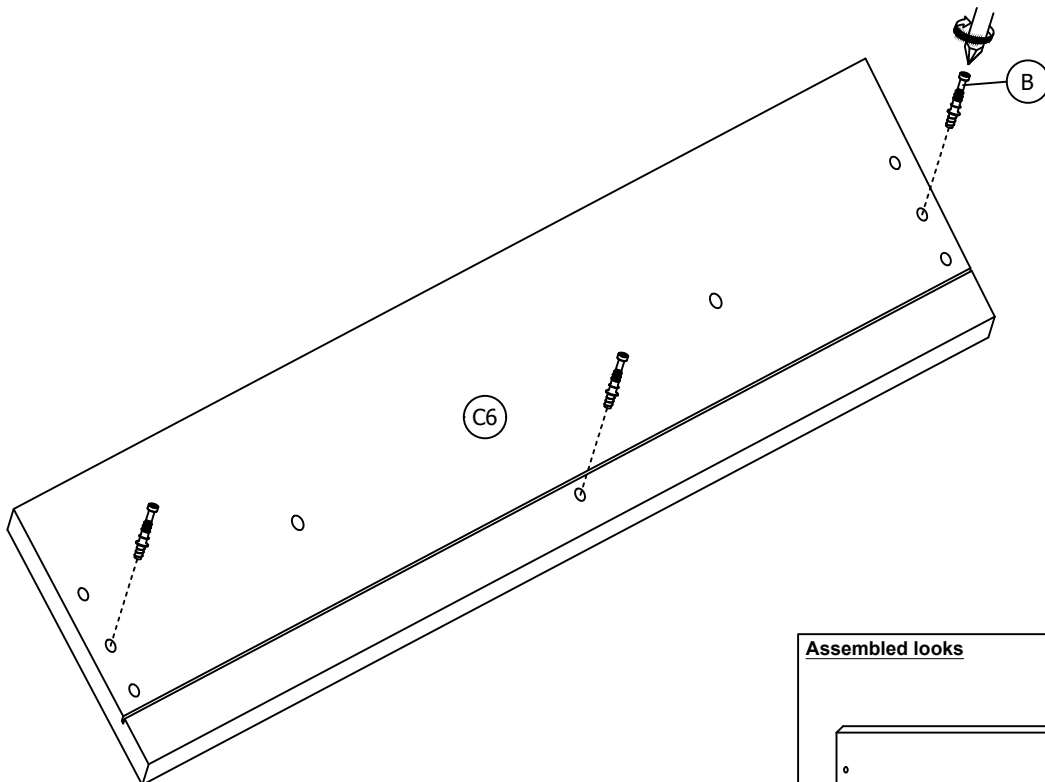
Insert 22 pieces (i) to fix (C5) as shown. Colored paper face to outside.



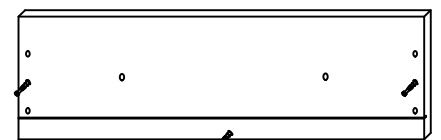
STEP 14

Insert 3 pieces (B) to the (C6) as shown.

x 4



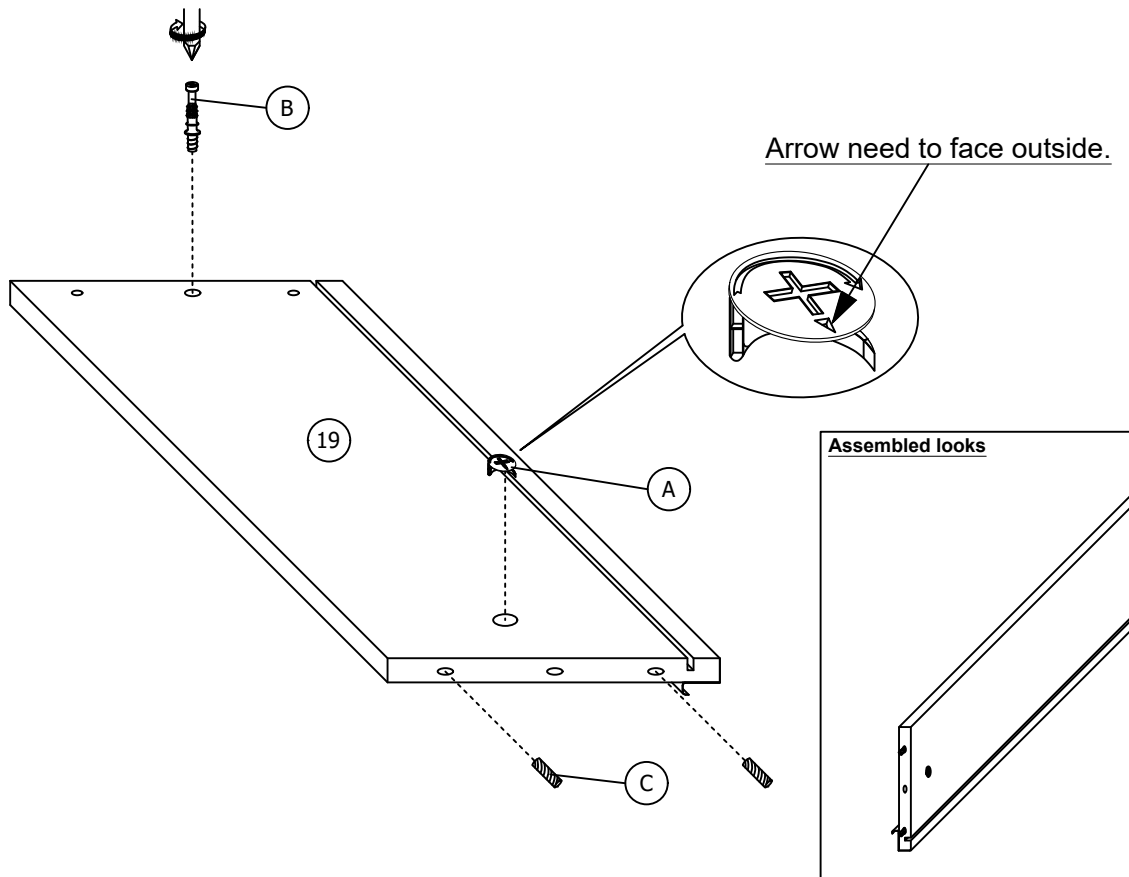
Assembled looks



STEP 15

Insert 1 piece (A), (B) and 2 pieces (C) to (19) as shown.

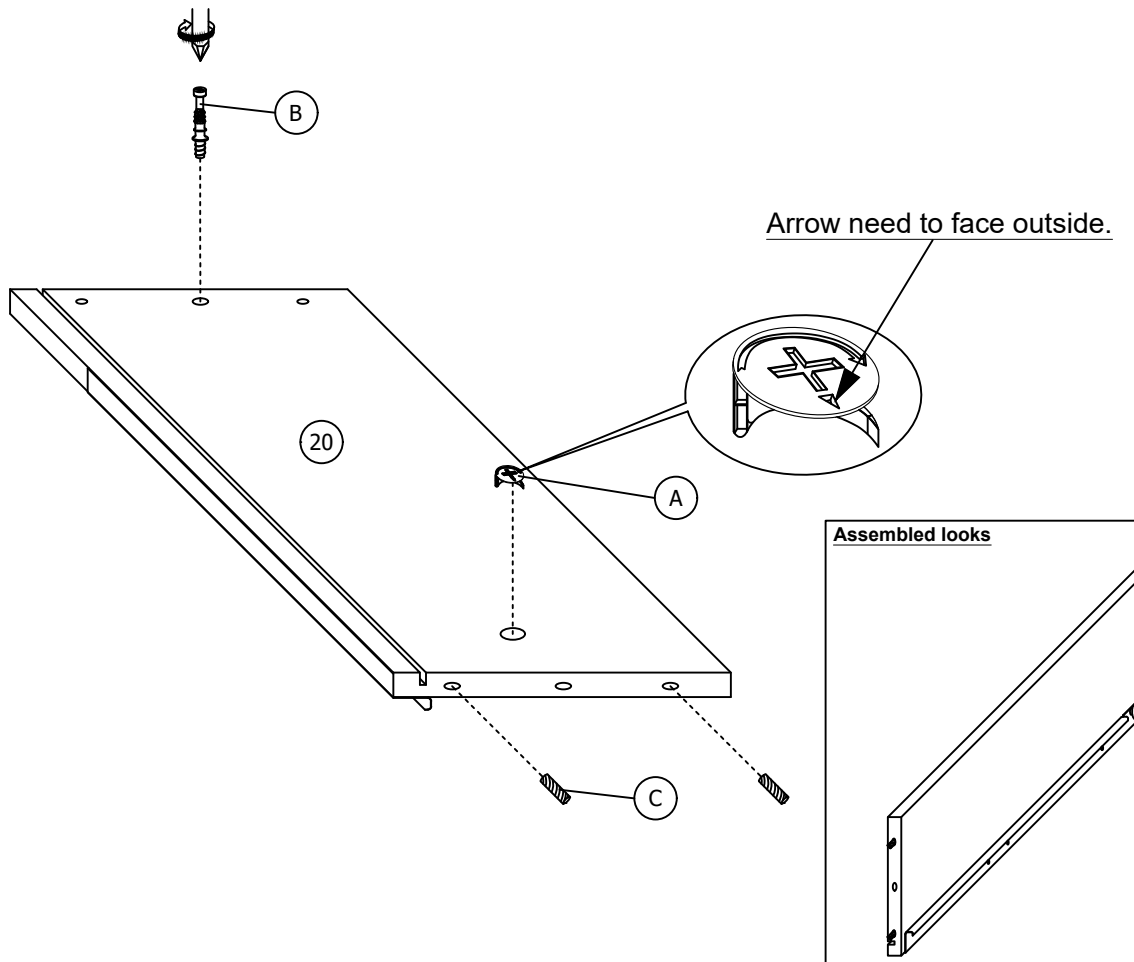
x 4



STEP 16

Insert 1 piece (A), (B) and 2 pieces (C) to (20) as shown.

x 4

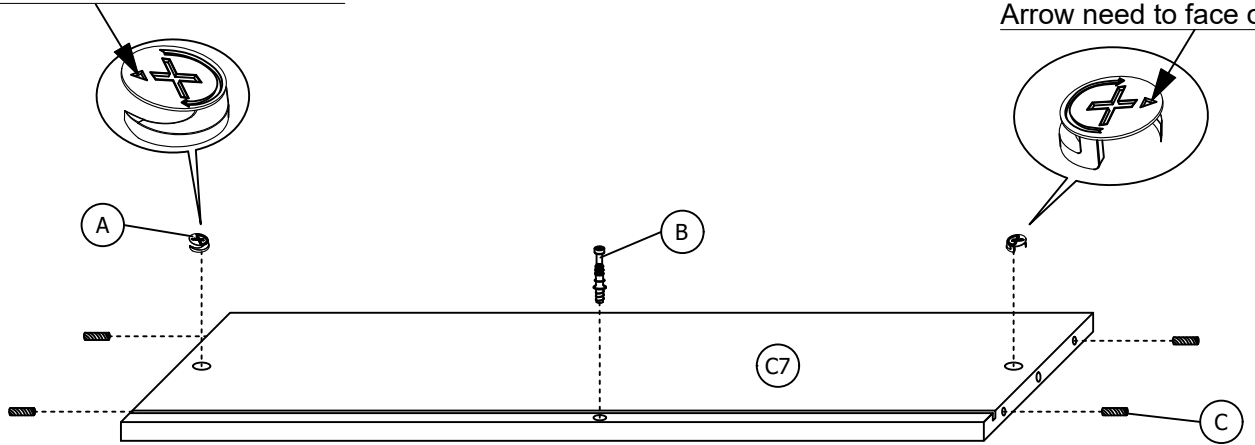


STEP 17

Insert 2 pieces (A), 1 piece (B) and 4 pieces (C) to (C7) as shown.

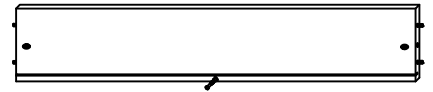
x 4

Arrow need to face outside.



Arrow need to face outside.

Assembled looks

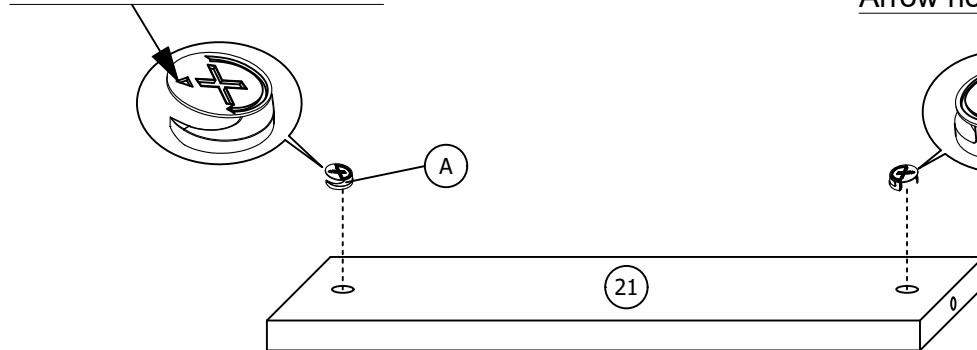


STEP 18

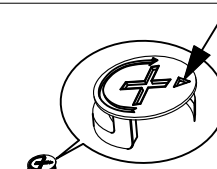
Insert 2 pieces (A) to (21) as shown.

x 4

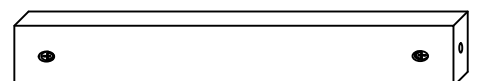
Arrow need to face outside.



Arrow need to face outside.



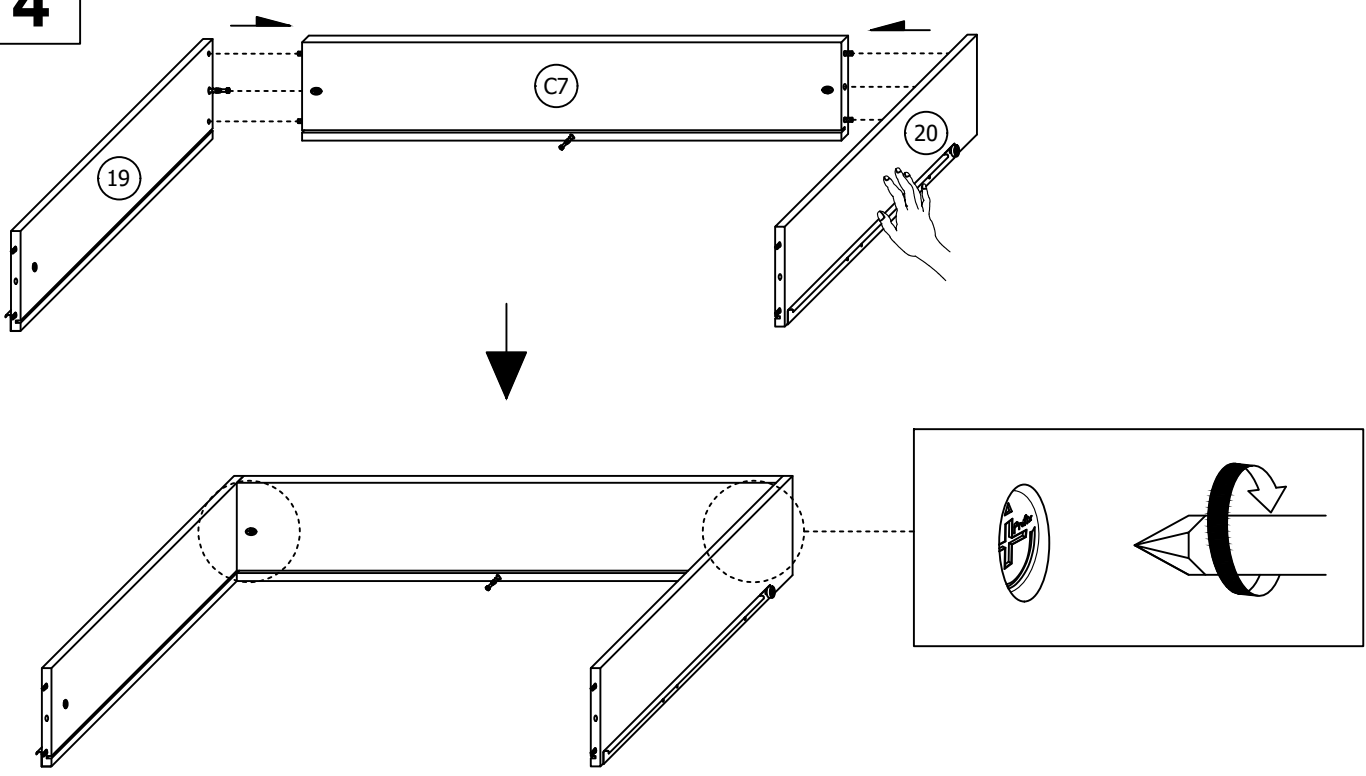
Assembled looks



STEP 19

Combine the (19) and (20) to the (C7), tighten the 2 pieces (A)-(pre insert in step 17) as shown.

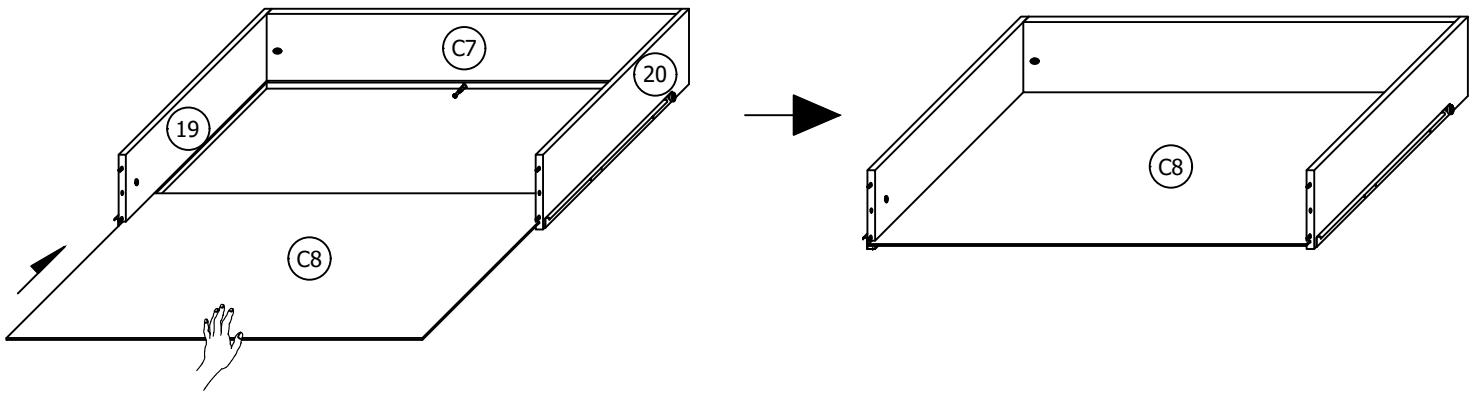
x 4



STEP 20

Put the (C8) into the gap of (19), (20) and (C7) as shown.

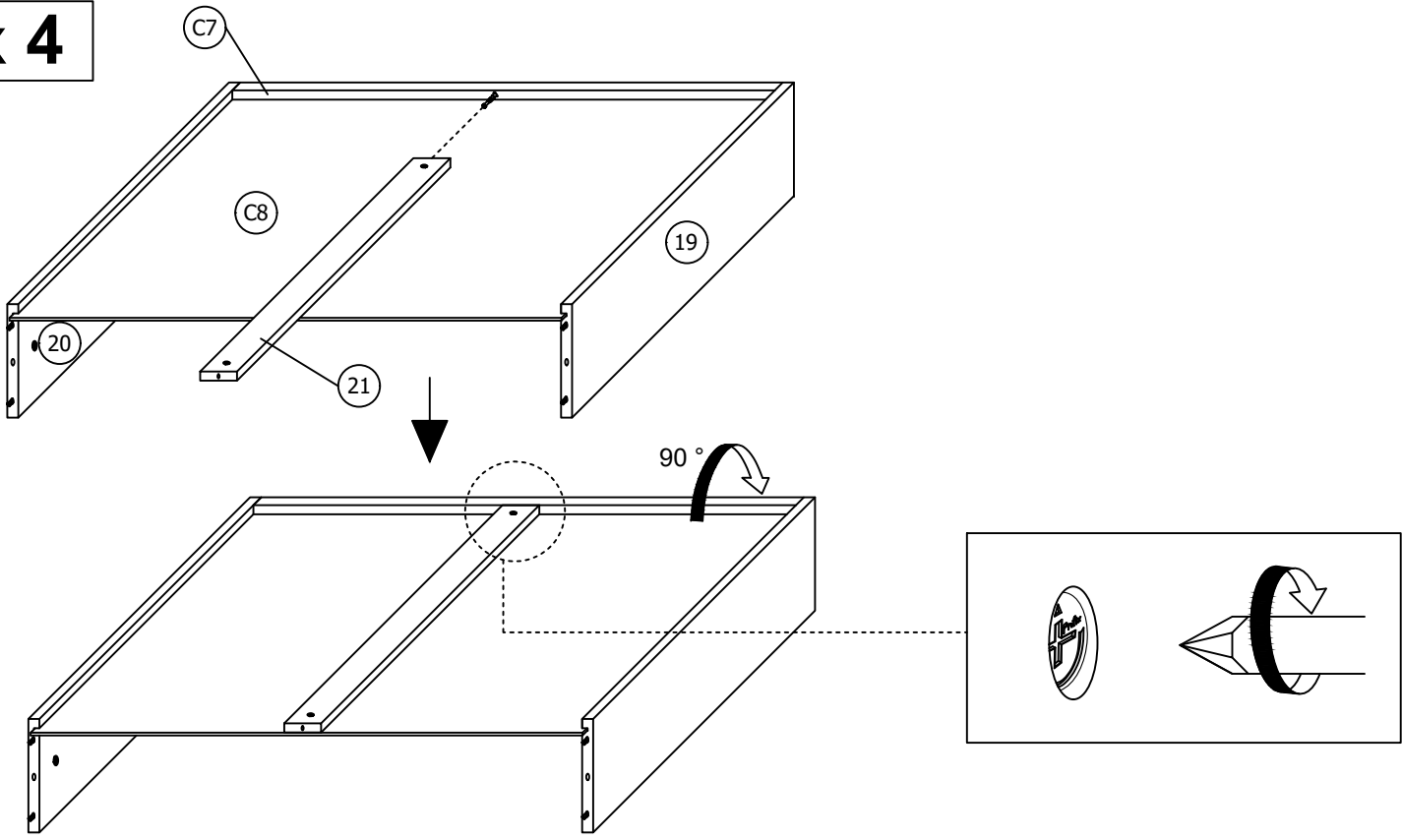
x 4



STEP 21

Combine the (21) to the (C7) then tighten the 1 piece (A)-(pre-insert in step 18) as shown.

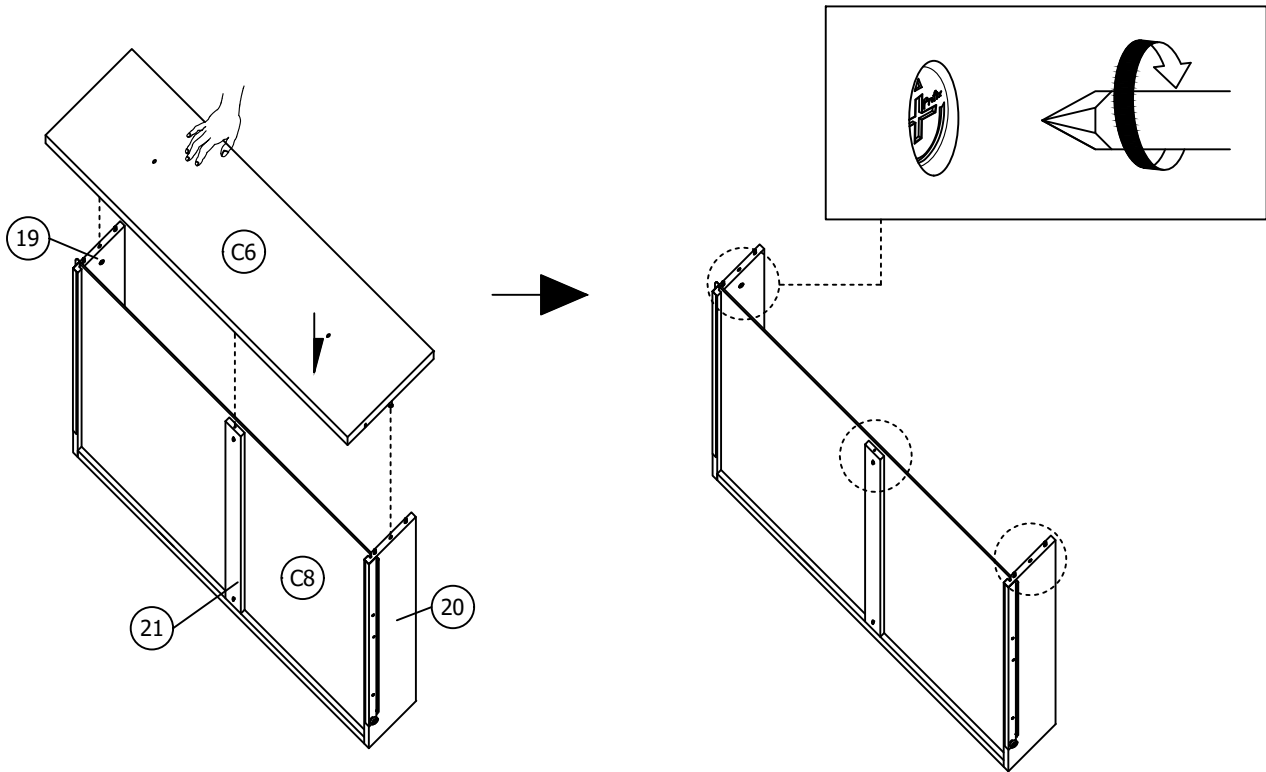
x 4



STEP 22

Combine the (C6) to the drawer frame. Then tighten the 3 pieces (A)-(pre-insert in step 15,16 and 18) as shown.

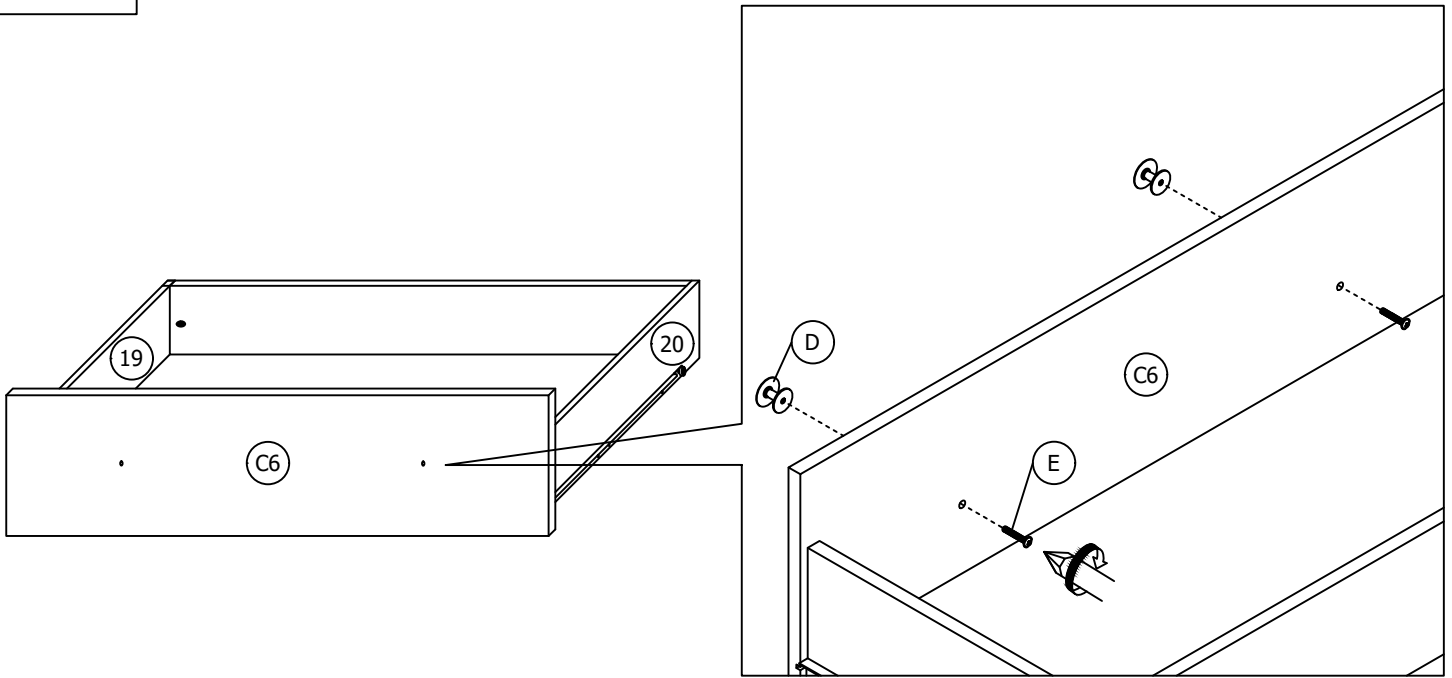
x 4



STEP 23

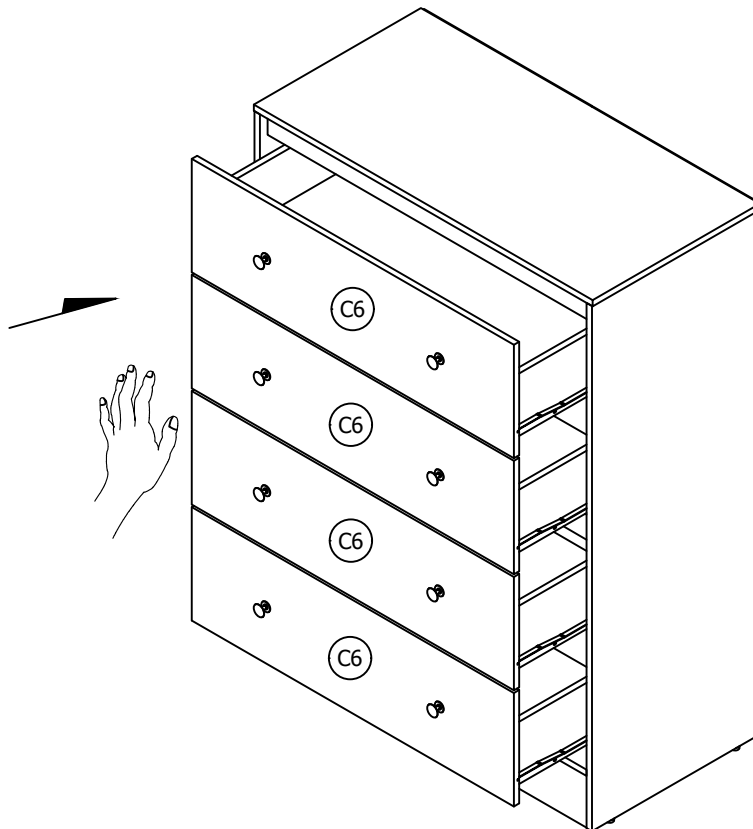
Insert (E) to fix with (D) as shown.

x 4

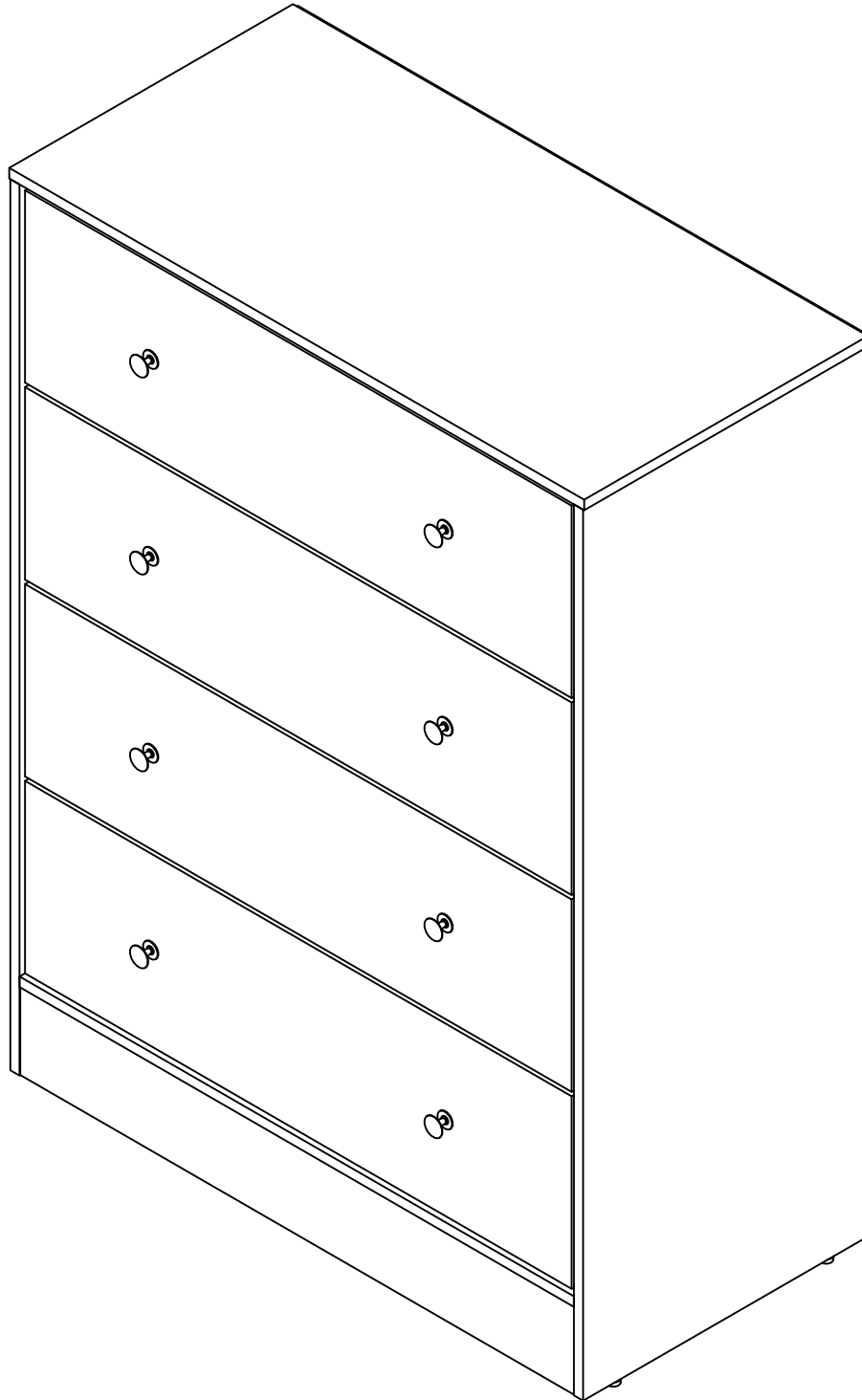


STEP 24

Align the position then push the drawers to inside exactly as shown.



STEP 25



ASSEMBLY COMPLETED

WALL STUD

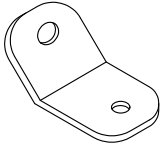
SAFETY BRACKET INSTRUCTIONS

Part Enclosed :
A) Bracket

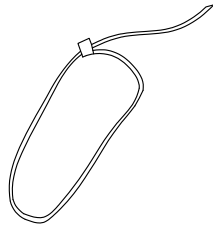
B) Safety Strap

C) 50mm Pan Head Screw

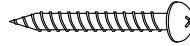
D) 17mm Pan Head Screw



2x



1x



1x



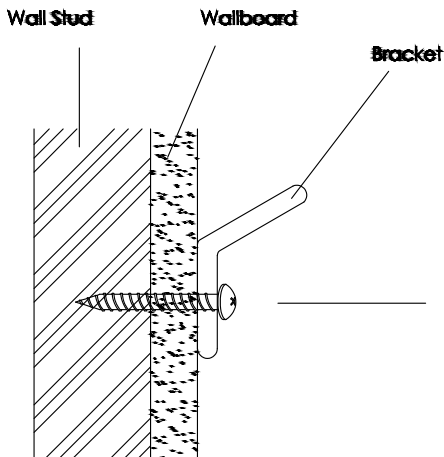
1x

IMPORTANT: Tipping can injure young children. Use of this safety hardware is highly recommended. This safety hardware, when properly installed, can provide furniture protection against unexpected accidental tipping of furniture due to improper use.

Step 1

Attach a bracket to the wall board with the 2" screw provided:

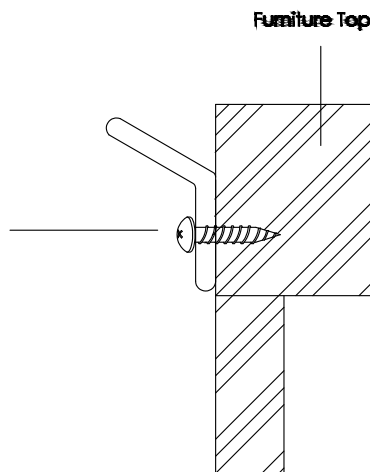
- It is recommended that you locate a wall stud behind the furniture unit. If the wall stud is not used, a suitable "Hollow-Wall Anchor Bolt" (not provided) should be used in lieu of the wall stud.
- Position the wall bracket on the stud about 1" below the top of furniture piece.
- Mark the position for the bracket placement on the wall and drill a pilot hole into the stud.
- Attach the bracket to the back of the furniture with the 2" screws provided.



Step 2

To attach a bracket to the Furniture Frame below to top with the short screws provided :

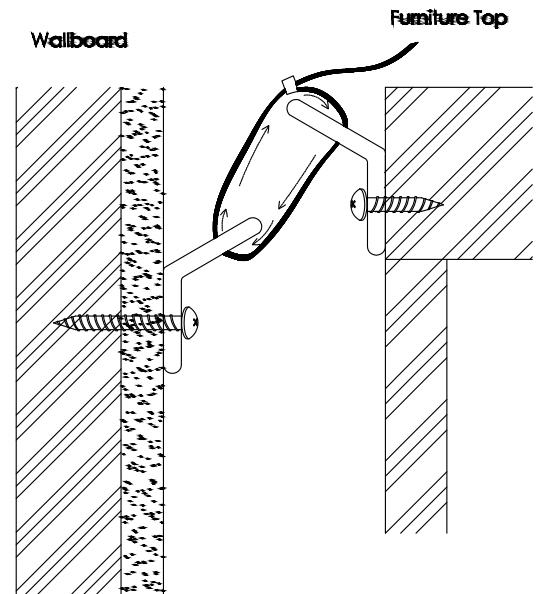
- Move the furniture piece temporarily to its final position to the wall.
- Mark the location of the bracket on the back of the furniture in relation to the previously mounted wall bracket.
- Move the furniture piece away from the wall mounted bracket and place the other bracket on the mark position on the back of the furniture piece.
- Drill a pilot hole as shown in the figure or into the back furniture frame. **Caution:** Mark sure you do not drill completely through the back of the furniture.
- Attach the bracket to the back of the furniture with the 5/8" screws provided.



Step 3

To Attach the safety strap:

- Move the furniture back to its final position.
- Thread the safety strap through both of the mounted brackets as shown in the illustration.
- Tighten the strap unit snug.
- Do not over tighten.



IMPORTANT: Make sure the brackets are firmly attached to the wall stud and furniture frame and the safety strap is snug.

Warning: This product is not be a substitute for proper parental supervision which is the only proper deterrent to prevent improper use of this unit. The manufacturer assumes no liability for improper installation or excessive loads placed on the safety straps, bracket or mounting screws. This hardware will not insure against tipping.

Note: For taller or heavier pieces of furniture, two safety brackets may be installed.

This sticker was stucked at one of the DRAWER LEFT PANEL(19).



Place the drawer which stucked a warning label in the top as shown.

