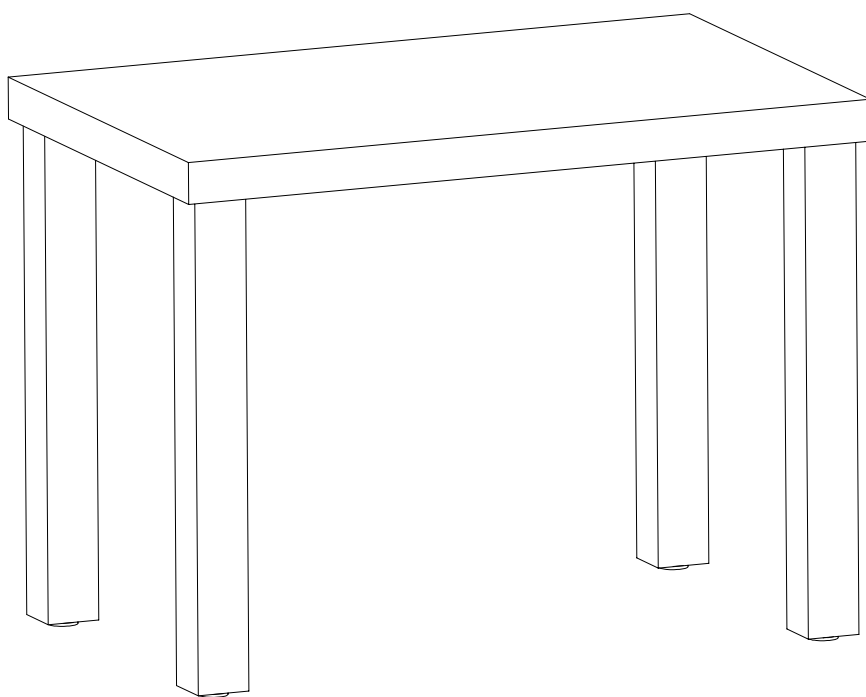
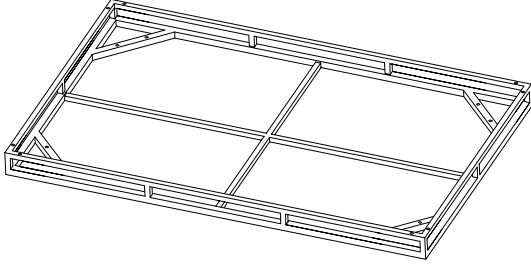
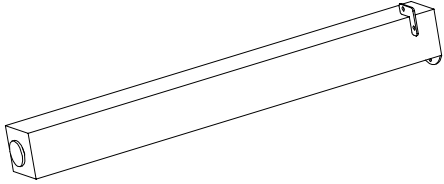


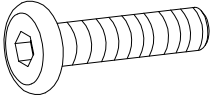
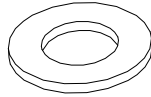
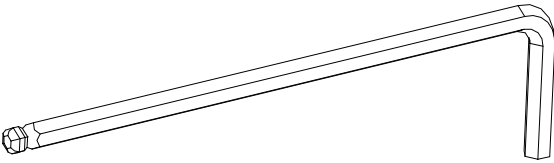
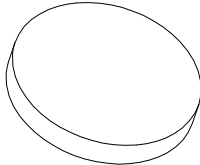
## OUTDOOR WICKER 36" DINNING TABLE



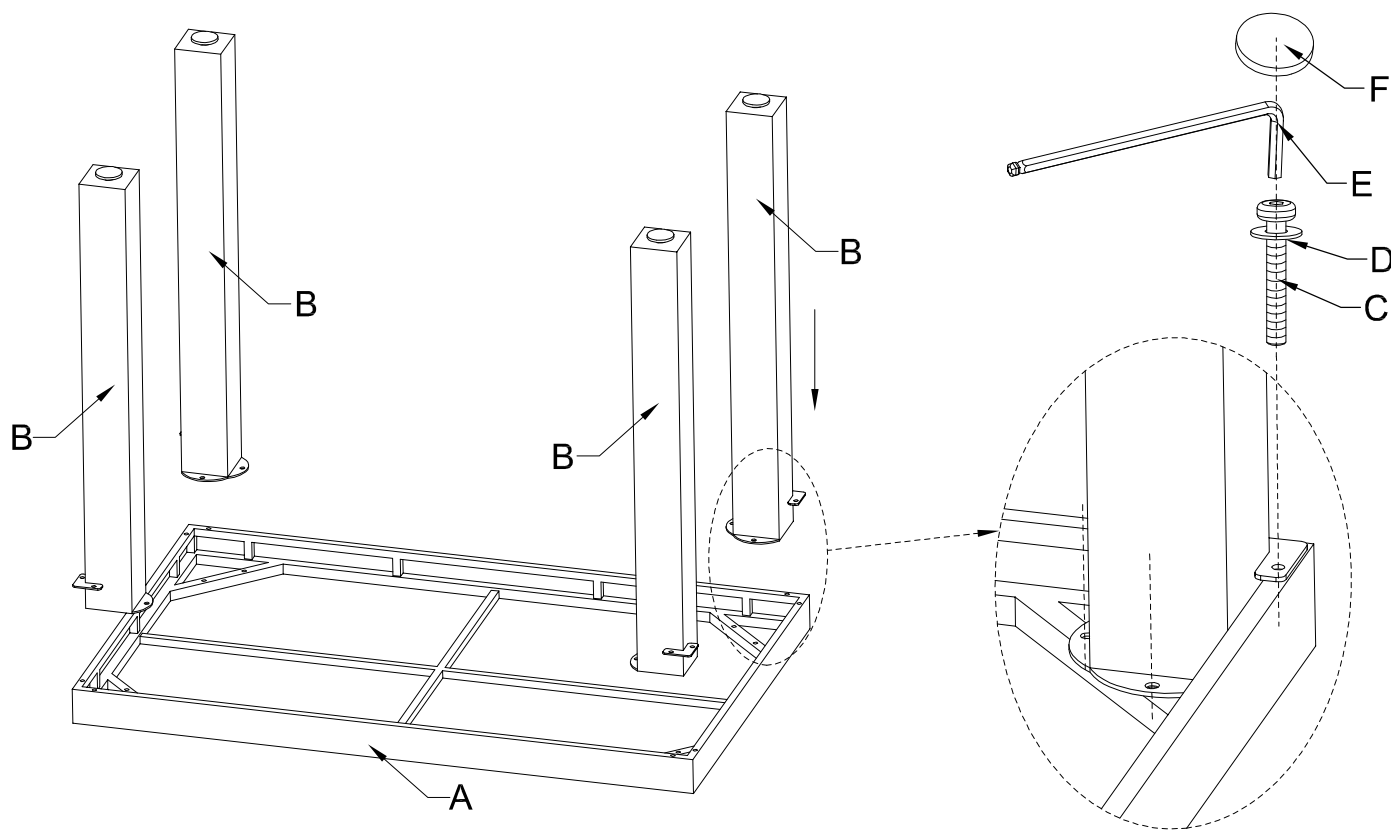
## PART LIST

 <p>Top Panel</p>		 <p>Table leg</p>	
A	1pc	B	4pcs

## HARDWARE LIST

 <p>Bolt(M6*20mm)</p>		 <p>Washer(M6mm)</p>	
C	16pcs	D	16pcs
 <p>Allen Key(M6mm)</p>		 <p>Screw cap(M6mm)</p>	
E	1pc	F	16pcs

**Step 1.** Lay Top Panel (A) down on a flat surface with underside facing up. Attach table legs (B) to Top Panel (A) using bolts (C), washers (D), allen key(E), and then cover the bolts with screw caps (F).  
**NOTE: Do not fully tighten bolt until all bolts are in place.**



**Step 2.** Turn the assembled dining table upright.

