

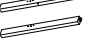

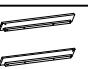
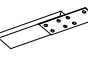




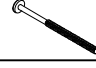





Assembly Instructions

ITEM: SD12063GR
SD12063WN

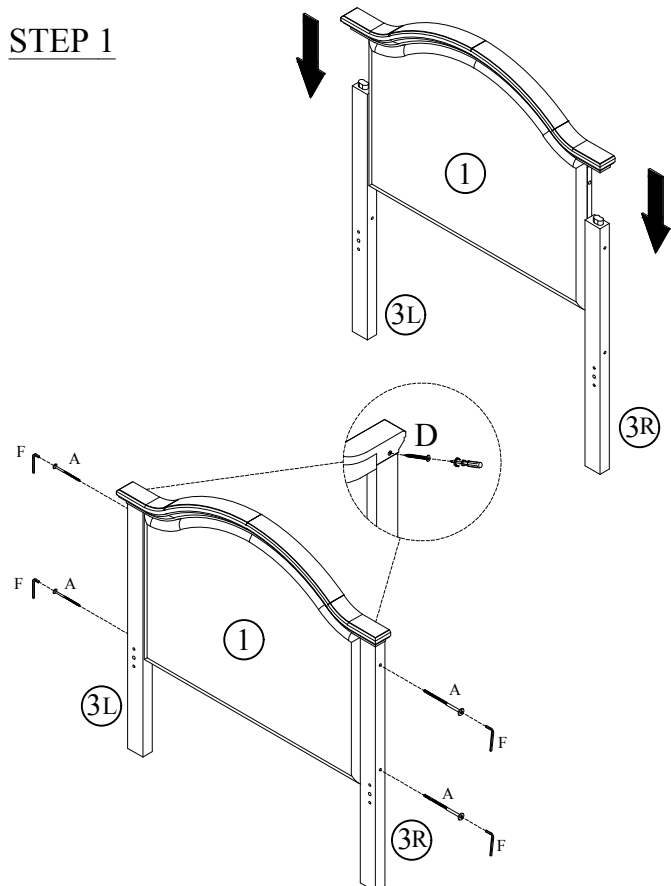
Twin Bed Upholstered Headboard and Footboard

- ▲ WARNING:** To avoid serious personal injury:
- Carefully and strictly follow assembly instructions. Improper assembly of furniture can result in structural failure, instability of the product, or tip-over.
 - Monitor and carefully control the assembly components. These include small parts and hardware that may present a choking hazard to small children. Bob's furniture should be assembled only by responsible adults and children should not be involved in the assembly process.

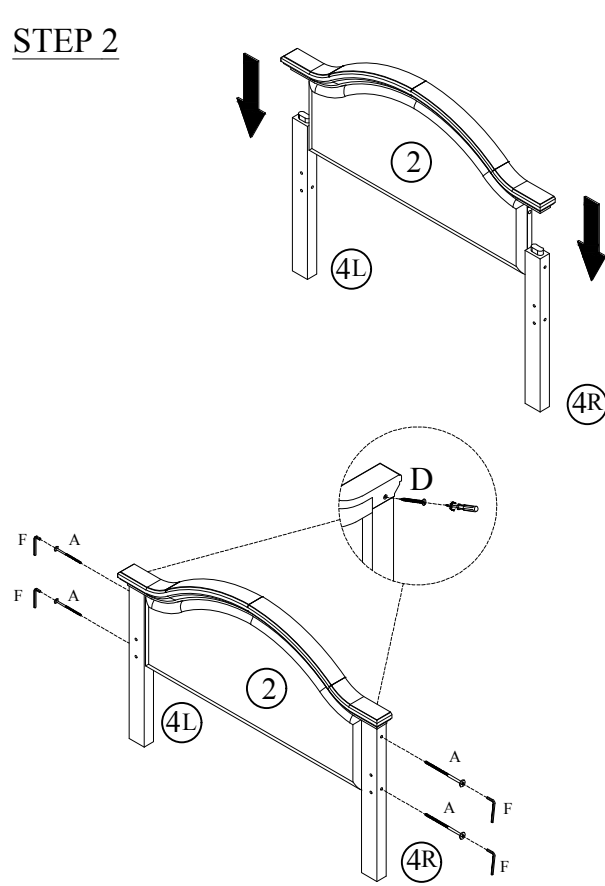
CODE	PARTS LIST		QTY
1		Headboard	1PC
2		Footboard	1PC
3		Left Leg for Headboard Right Leg for Headboard	1PC 1PC
4		Left Leg for Footboard Right Leg for Footboard	1PC 1PC
5		Left Rail Right Rail	2PCS 2PCS
6		Supported Legs	2PCS
7		Slats	2SETS

CODE	HARDWARE LIST		QTY
A	1/4x70 Bolt		8PCS
B	1/4x90 Bolt		8PCS
C	1/4xØ9x11Hole Bolts		8PCS
D	4x30 Screw		12PCS
E	1/4x15 Bolt		8PCS
F	1/4 Allen Wrench		1PC
M	10x40WoodDowel		4PCS

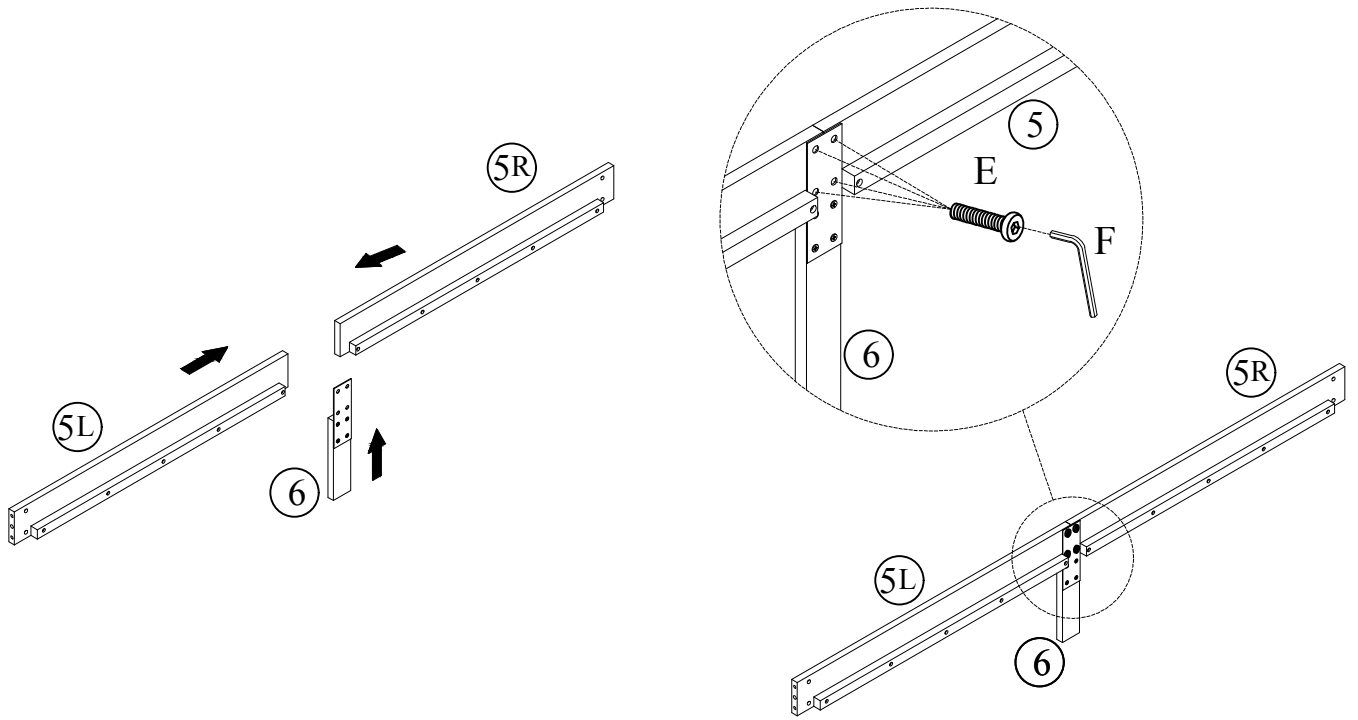
STEP 1



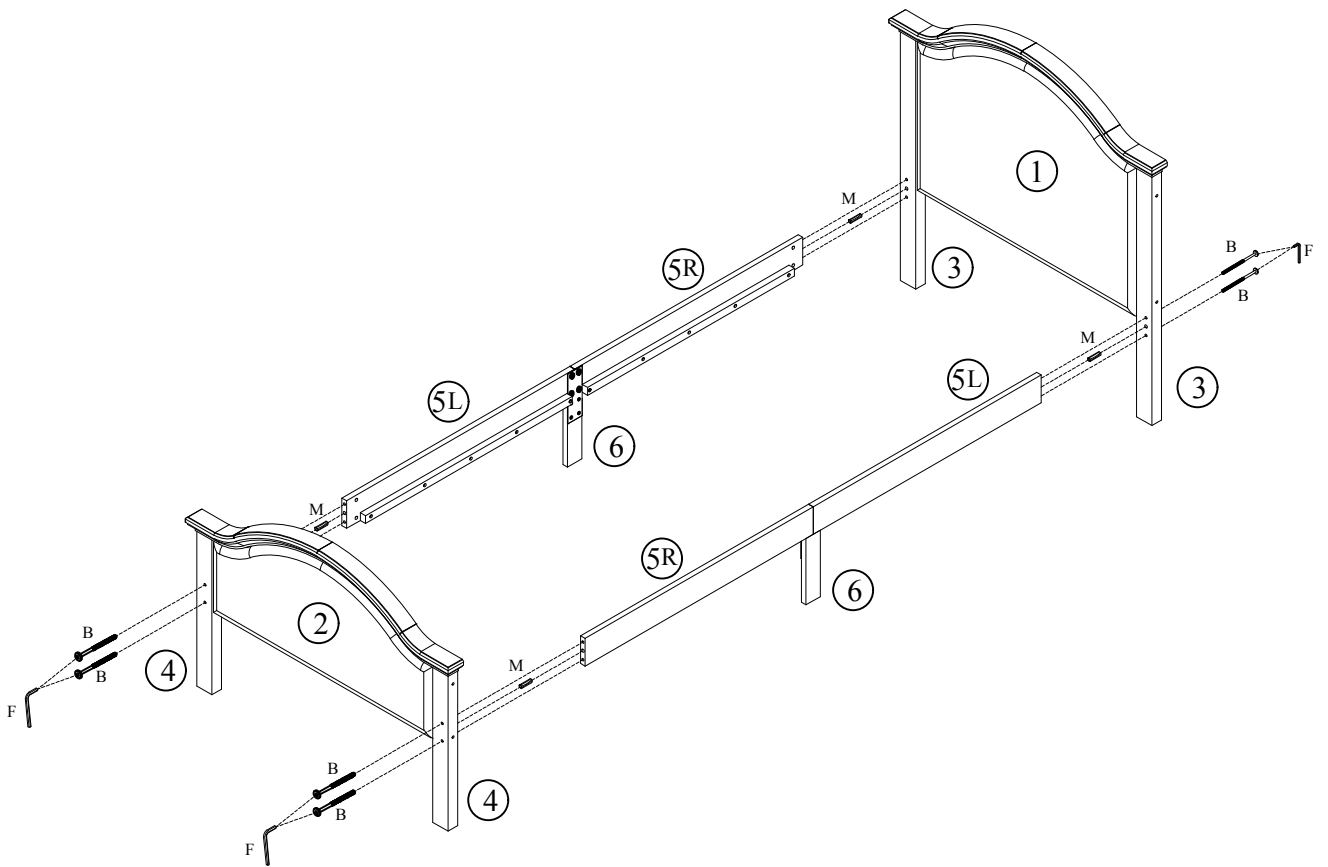
STEP 2



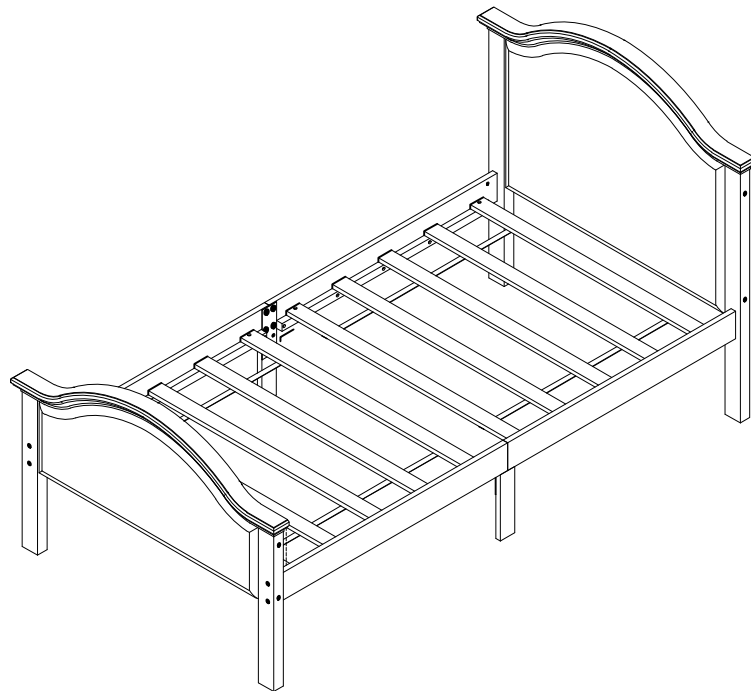
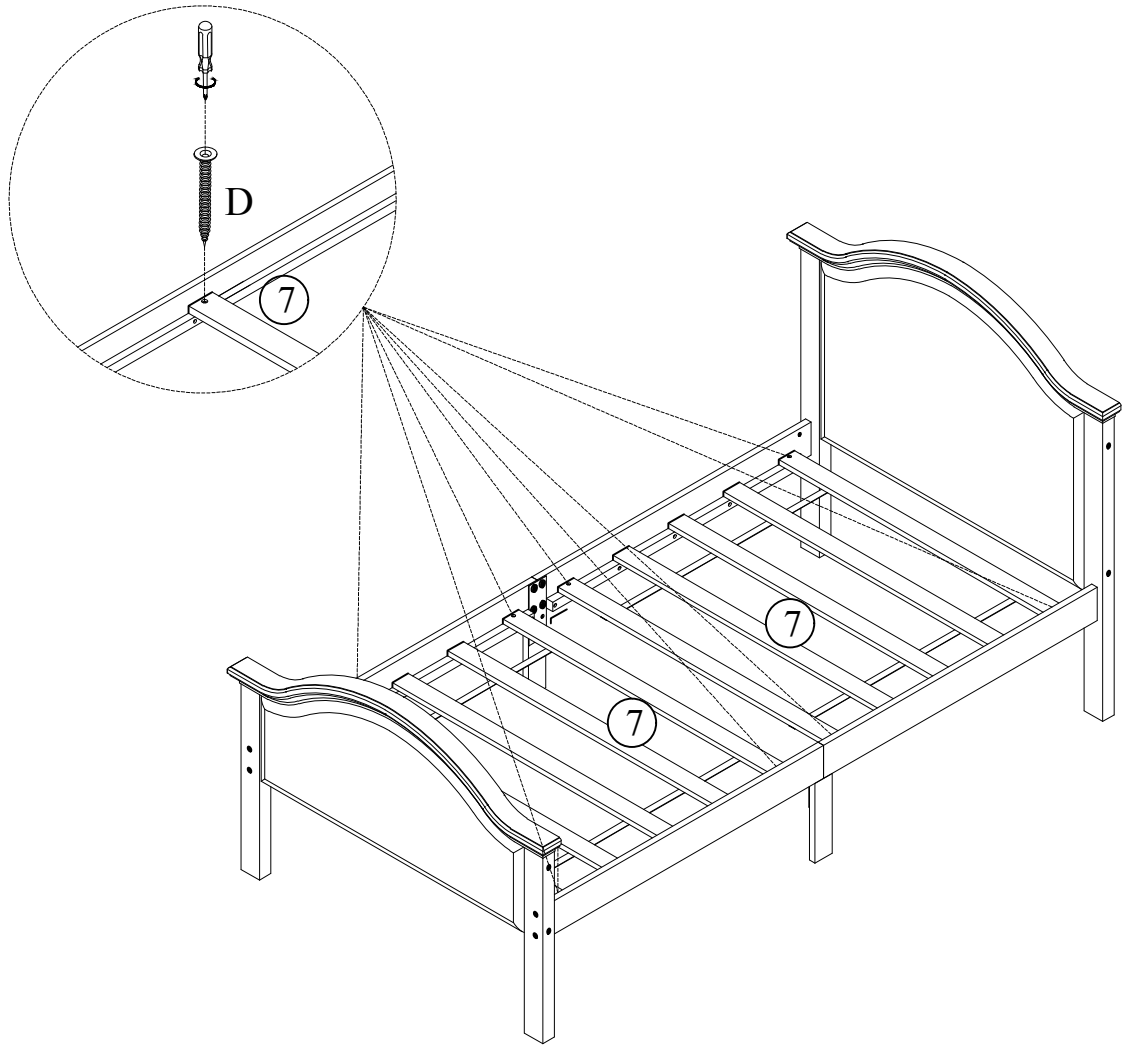
STEP 3



STEP 4



STEP 5



Hardware Pack Location(s):

ITEM: SD12063GR

SD12063WN

Twin Bed Upholstered Headboard and Footboard