

Dual Shower Head with Diverter/Shutoff Valve

| |
|----------------|
| FINISH |
| CHROME |
| BRUSHED NICKEL |
| MATTE BLACK |
| BRUSHED GOLD |

THANK YOU

Dear Valued Customer,

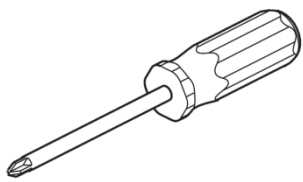
The product would like to take this opportunity to thank you for purchasing products. It is our sincere hope that you are completely satisfied with your new purchase. All products are carefully engineered, and factory tested to provide long trouble-free use under normal conditions. This product is easy to install using basic tools and our easy to follow illustrated instructions. We welcome any questions or comments you may have and look forward to assisting you in the future.

Sincerely,
Customer service department

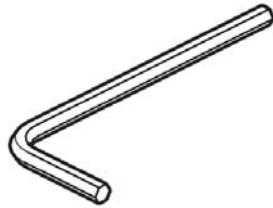
BEFORE PROCEEDING

1. Unpack your new product and ensure that all the parts are contained in the packaging. Keep the product in its original box until you ready to install it.
2. Locate water supply inlets and shut off the water supply valves. These are usually found near the water meter.
3. If you are replacing an existing unit, remove the old unit and clean the mounting surface thoroughly.
4. Observe all plumbing and building codes in your area.
5. It is recommends calling professional if you are uncertain about installing this product.

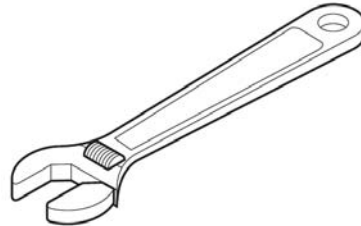
TOOLS RECOMMENDED



Philips screwdriver



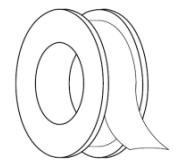
Allen wrench



Adjustable wrench



Channel locks



Thread Sealant

LIMITED LIFETIME CONSUMER WARRANTY

This product has been manufactured and tested to the highest quality standards by sanitary. This warranty is limited to products which are purchased by a consumer in the China after Jan 1,2010 and installed in China or the state which has technical support department locally. If the faucet should leak or drip during normal use, the product will free of charge, mail to the purchaser the cartridge necessary to put the faucet in good working condition. If a defect is found in normal residential use at its election, repair, provide a replacement part or product, or make appropriate adjustment.

WHO IS COVERED BY THE WARRANTY

This warranty extends to the original consumer purchaser only (exclusive online retail original customer, online retail original customer cover by the "Online CONSUMER Limited Lifetime WARRANTY & Return policy"), This warranty is not-transferable.

WHAT IS COVERED BY THE WARRANTY

This warranty covers only your manufactured product. The product warrants this product against defects in material or workmanship as follows: we will repair at no charge for parts only or, at its option, replace any product or part of the product that proves defective because of improper workmanship and/or material, under normal installation, use, service and maintenance. If the product unable to provide replacement, the product may elect to provide similar model upon close value.

FINISH WARRANTY

It is the responsibility of the customer to check for any material finish defects before installation. The product doesn't warranty these finishes after the fixture has been installed.

ELECTRONIC FAUCETS WARRANTY

The product warrants that its electronic faucets, valves and controls to be free from manufacturing defects in material and workmanship under normal use for three(3) years from the date of purchase and waterflow impeller-dynamo (generate power for LED faucet) for six(6) months from the date of purchase.

LENGTH OF WARRANTY

Replacement or repaired parts of products will be covered for the term of this warranty as stated in the following two sentences, if you are a consumer who purchased the product for use primarily for personal, family, or household purposes, this warranty extends for 5 years since the product originally installed (Extend max 1 month From the date of purchase).if you purchased the product for use primarily for any other purpose, including, without limitation, a commercial purpose or is installed outside of US, or if the finish is gold, non-Vibrant or a painted or powder coated color finish this warranty extends only for one year, with respect to SUMERAIN and commercial products.

THIS WARRANTY DOES NOT COVER, AND SUMERAIN WILL NOT PAY FOR:

A. Conditions, malfunctions or damage not resulting from defects in material or workmanship.

B. Conditions, malfunctions or damage resulting from normal wear and tear, improper installation, improper maintenance, misuse,

abuse, negligence, accident or alteration or the use of abrasive or caustic cleaning agents or "no-rinse" cleaning products, or the use of the product in any manner contrary to the product instructions. Conditions in the home such as excessive water pressure or corrosion.

C. Labor or other expenses for the disconnection, deinstallation, or return of the product for warranty service, or for installation or reinstallation of the product.

D. Accessories, connected materials and products (including but not limited in handshower flexible hose, spray flexible hose, handshower, shower head).

TO OBTAIN WARRANTY PARTS OR INFORMATION

In requesting warranty service, you will need to provide

1. The sales receipt or other evidence of the date and the place of purchase.
2. A description of the problem and fill out the Service Request Sheet).
3. Delivery of the product or the defective part, postage prepaid and carefully packed and insured to specified address.

When warranty service is completed, any repaired or replacement product or part will be returned to you postage prepaid.

EXCLUSIONS AND LIMITATIONS

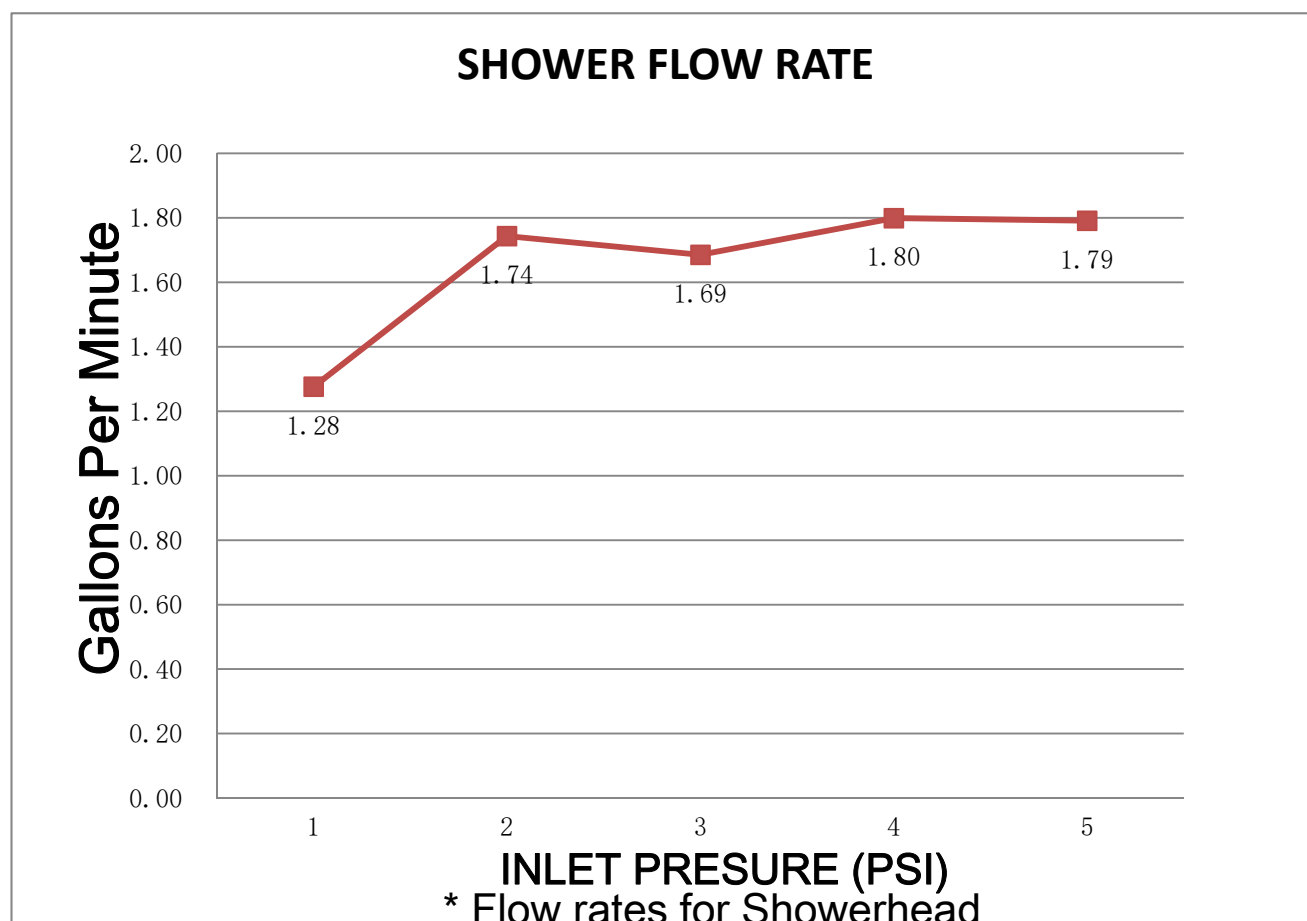
Repair or replacement (or, in limited circumstances, refund of the purchase price) as provided under this warranty is the exclusive remedy of the purchaser. The product neither assumes nor authorizes any person to create for it any obligation or liability in connection with this product. The product shall not be liable to purchaser or any person for any incidental, special, or consequential damages, arising out of breach of this warranty or any implied warranty (including merchantability) Some states do not allow the exclusion or limitation of incidental or consequential damages, so the above limitation or exclusion may not apply to you. This warranty gives you specific legal right, and you may have other rights which vary from state to state. You may be required by law to give us a reasonable opportunity to correct or cure any failure to comply before you can bring any action in court against us under the Magnusson-moss warranty Act.

PRODUCT INSTRUCTIONS AND QUESTIONS

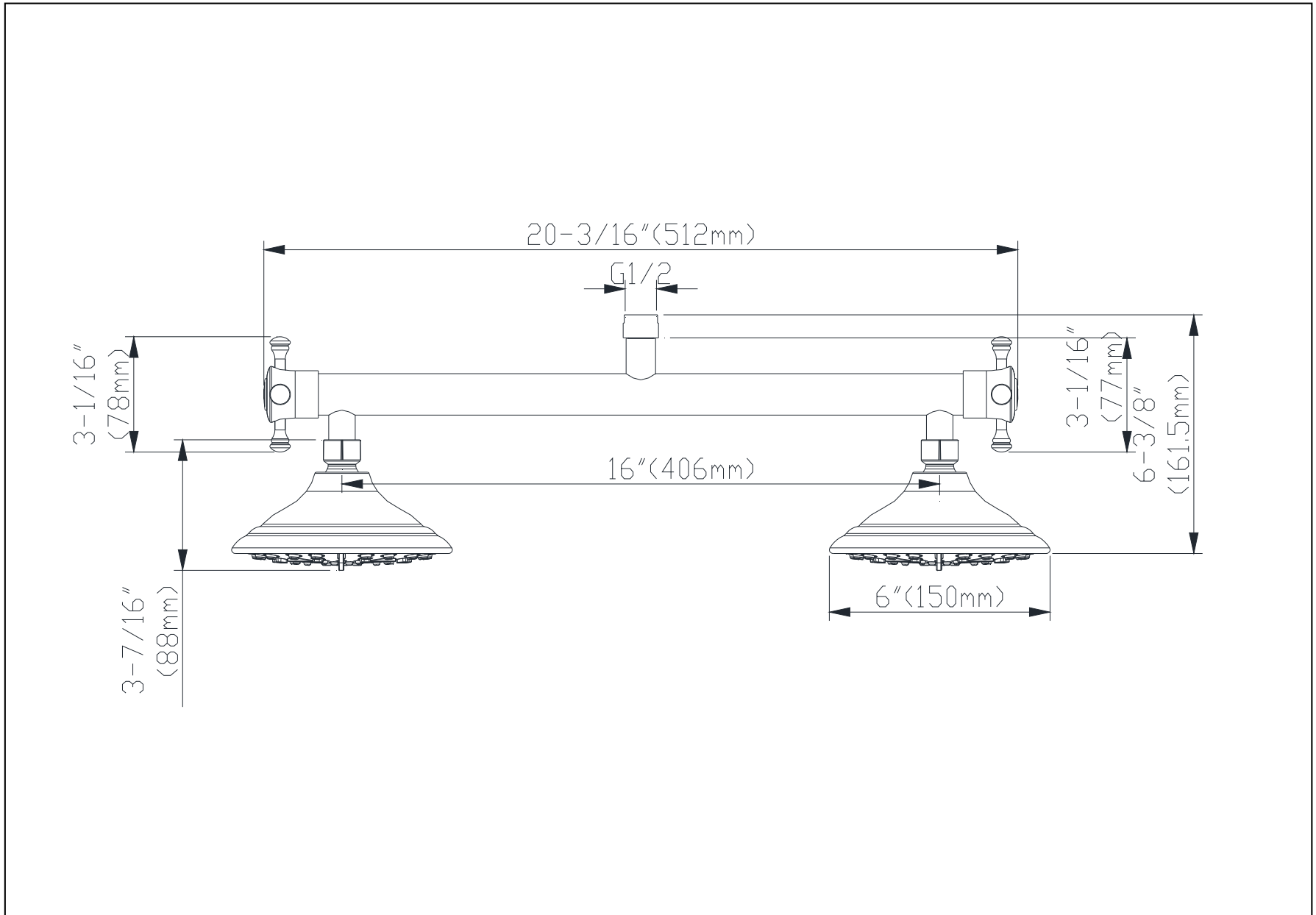
Upon purchase or prior to installation, please carefully inspect your product for any damage or visible defect. Prior to installing, always carefully study the enclosed instructions on the proper installation and the care and maintenance of the product.

FUNCTIONS AND SPECIFICATION

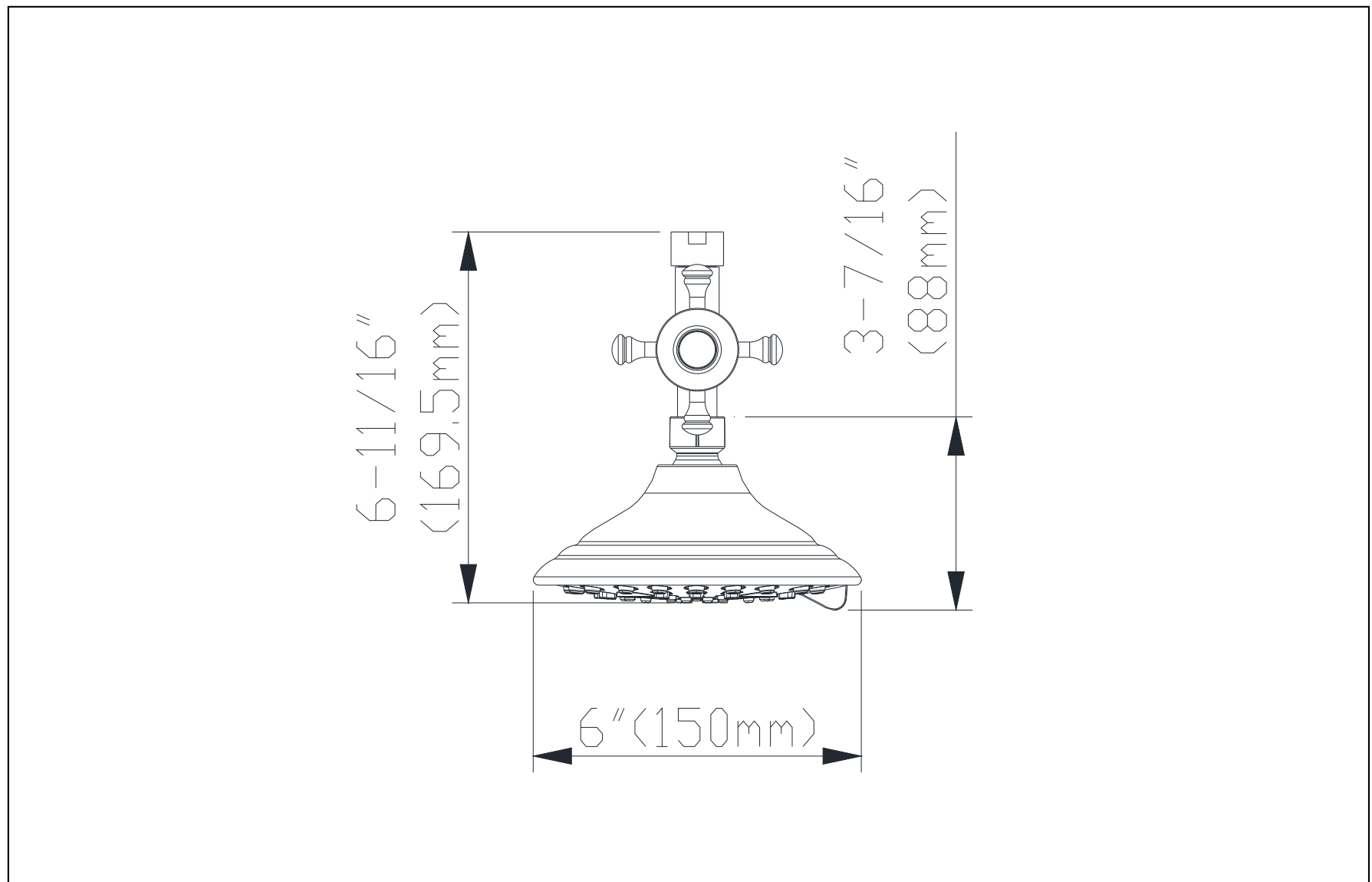
| | |
|--|--|
| Faucet type | Dual shower Head system |
| Feature | Dual Shower Head with Diverter/Shutoff Valve |
| Theme | Traditional |
| Mounting type | Shower Arm Mounted |
| Finish | Chrome/Brushed nickel/Matte Black/Brushed Gold |
| Shower Arm Material | SUS 304 Stainless Steel |
| Shutoff /Diverter Valve Included | Yes |
| Diverter location | Shower Rod |
| Shower Head Included | Yes |
| Showerhead Material | Plastic |
| Showerhead Dimension | 6.0" [150mm] |
| Number of showerheads | 2 |
| Adjustable Spray Pattern | Yes |
| Number of Spray Patterns | 6 |
| Spray Pattern | Rain/ Misty/ Massage/Rain and misty/Rain and Massage/Trickle |
| Handle style | Knob |
| Adjustable Water Flow | Yes |
| Total Length | 20-3/16" [512mm] |
| Total Width | 6-3/8" [161.5] |
| Recommend Working Water Pressure | 43.5PSI ~ 145PSI [0.3Mpa ~ 1.0 Mpa] |
| Net Weight | 3.84 lbs [1.74KG] |
| Gross Weight [Overall Product Weight] | 2.47 lbs [1.12KG] |
| Packing box [L x W x H] | 22-1/16"x8-1/16"x 4/15/16" [560mm x 205mm x 125mm] |



DEMENSION



FRONT VIEW



LEFT VIEW

INSTALLATION STEPS

1. BEFORE PROCEEDING



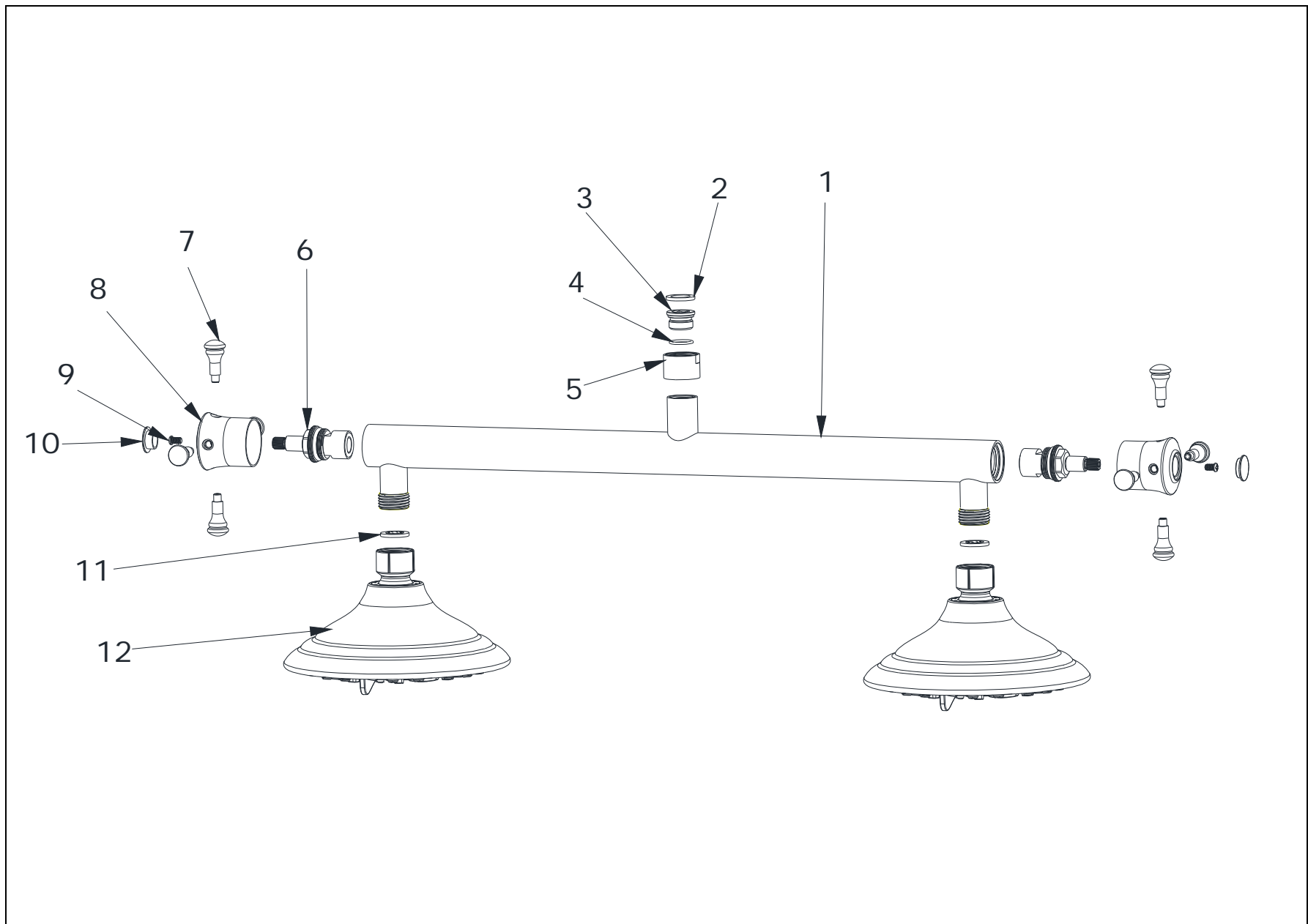
WARNING: Read all the instructions completely before proceeding. The product recommends calling a professional if you are uncertain about installing this product, this product should be installed in accordance with all local and state plumbing and building codes.

2. SHUT OFF WATER SUPPLY

Locate water supply inlets and shut off the water supply valves. These are usually found near the water meter. If you are replacing an existing unit, remove the old unit and clean the mounting surface thoroughly.

3. CHECKING THE CONTENTS OF THE BOX

Upon opening the box, check to ensure that all the following items are included.



| NO. | ITEM NAME | MATERIAL | QTY |
|-----|---------------|----------|-----|
| 1 | Shower bar | SUS304 | 1 |
| 2 | Rubber washer | NBR | 1 |
| 3 | Nut adapter | HPB59-1 | 1 |
| 4 | O-Ring | NBR | 1 |
| 5 | Lock nut | HPB59-1 | 1 |
| 6 | Cartridge | HPB59-1 | 2 |

| NO. | ITEM NAME | MATERIAL | QTY |
|-----|------------------|----------|-----|
| 7 | Spokes | HPB59-1 | 8 |
| 8 | Knob | HPB59-1 | 2 |
| 9 | Set screws | SUS304 | 2 |
| 10 | Screw cover | ABS | 2 |
| 11 | Flow restrictors | ASSEMBLE | 2 |
| 12 | Shower head | ASSEMBLE | 2 |

4. PLANNING AND INSTALLATION INSTRUCTIONS



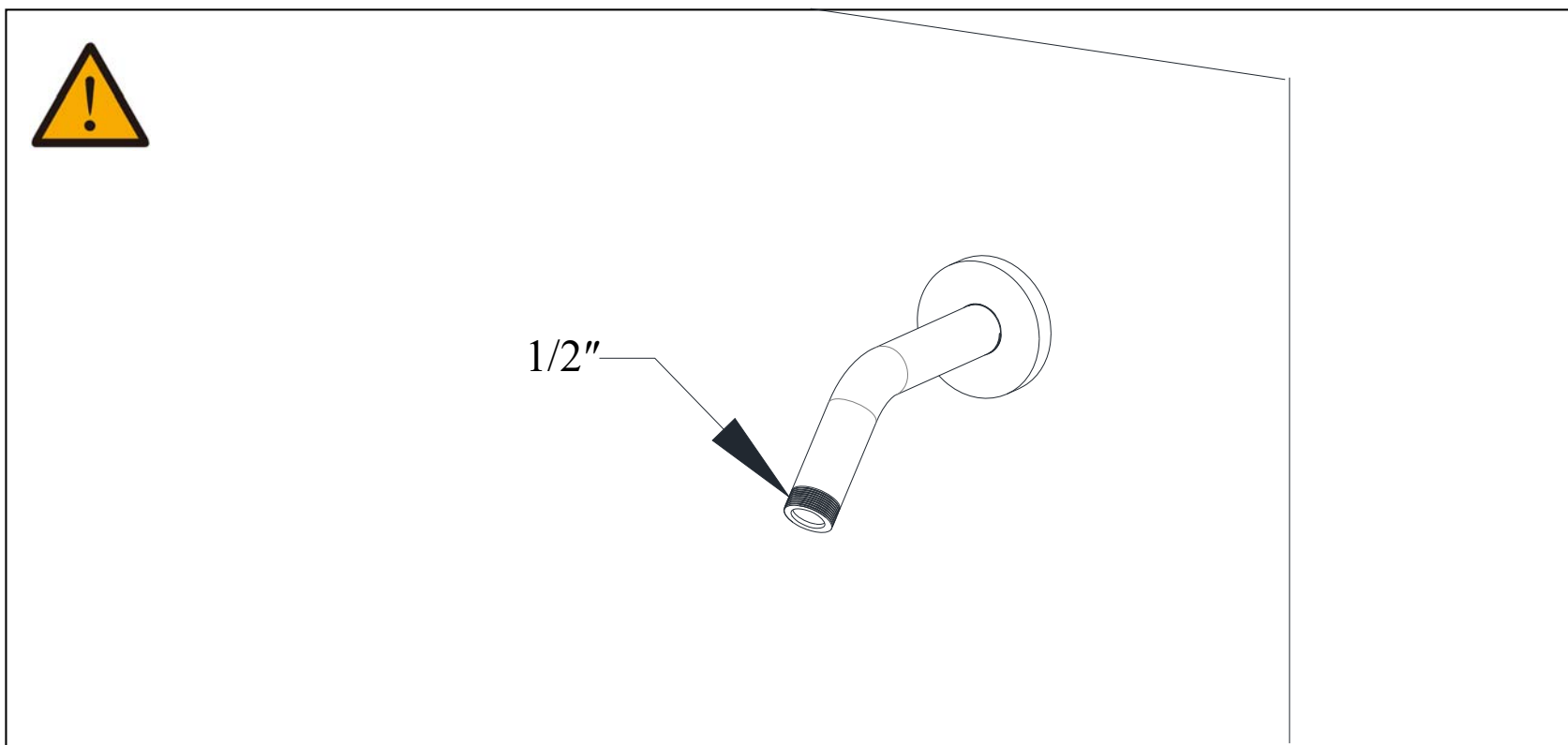
Attentions:

- (A.) Check Compatibility
Ensure that the threading on your existing shower arm is 1/2" [NPS 1/2, G1/2 or NPT 1/2]
- (B.) The faucet has to be installed, rinsed and checked in compliance with the applicable regulations in order to guarantee proper shower function!
Operating pressure at the control valve:
Max. 145PSI [1.0Mpa].
Recommended operating pressure: 43.5PSI [0.3 Mpa].
Hot water temperature: Max 140 Fahrenheit [60 degree centigrade].

5. Installation Steps

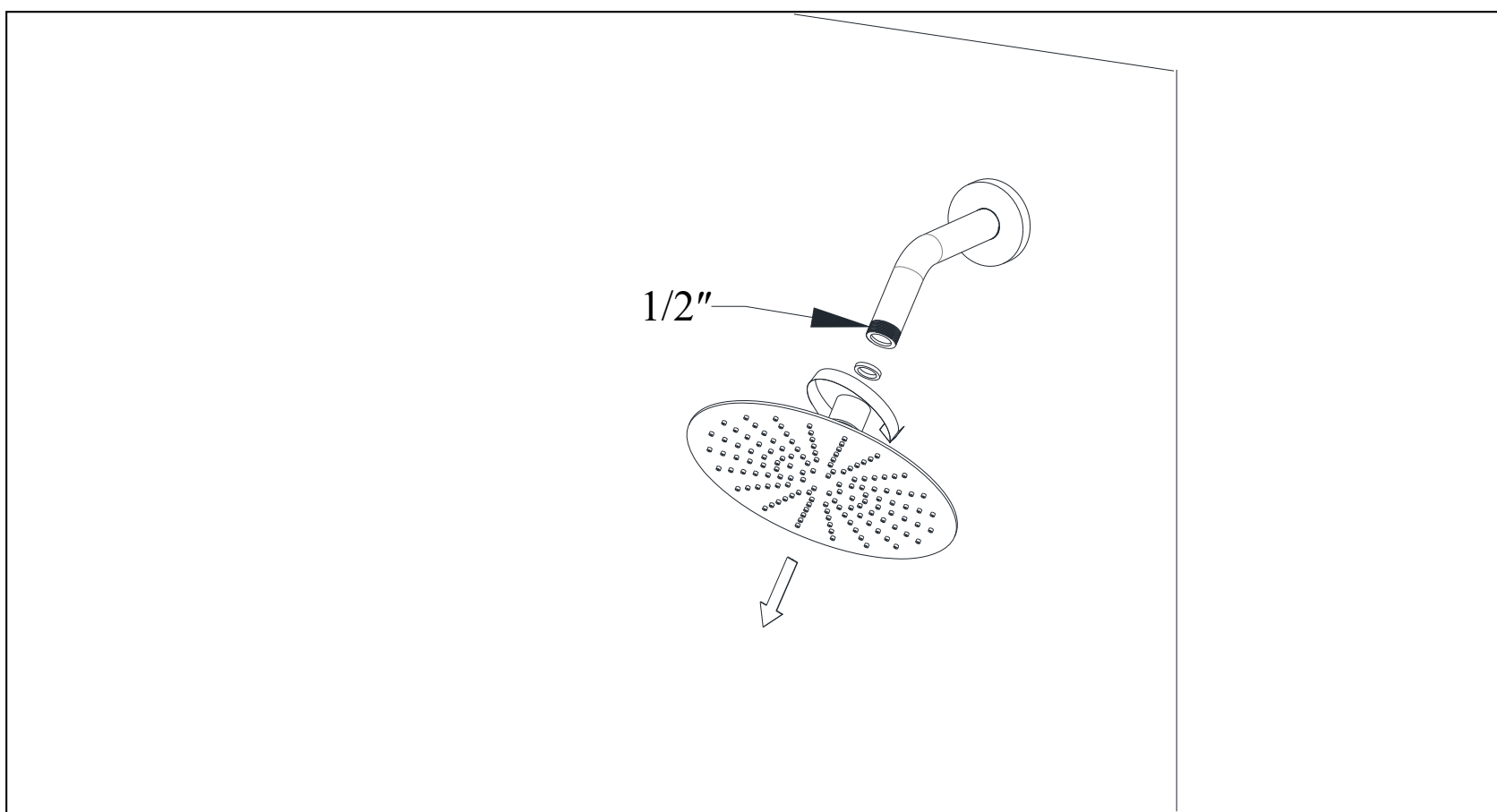
5.1 Verify Thread Compatibility

- (a.) Ensure that the threading on your existing shower arm matches one of the following specifications:
NPS 1/2, G1/2 or NPT 1/2.
- (b.) If the threading does not match, you will need to replace the shower arm with one that has the correct specifications to fit this product.



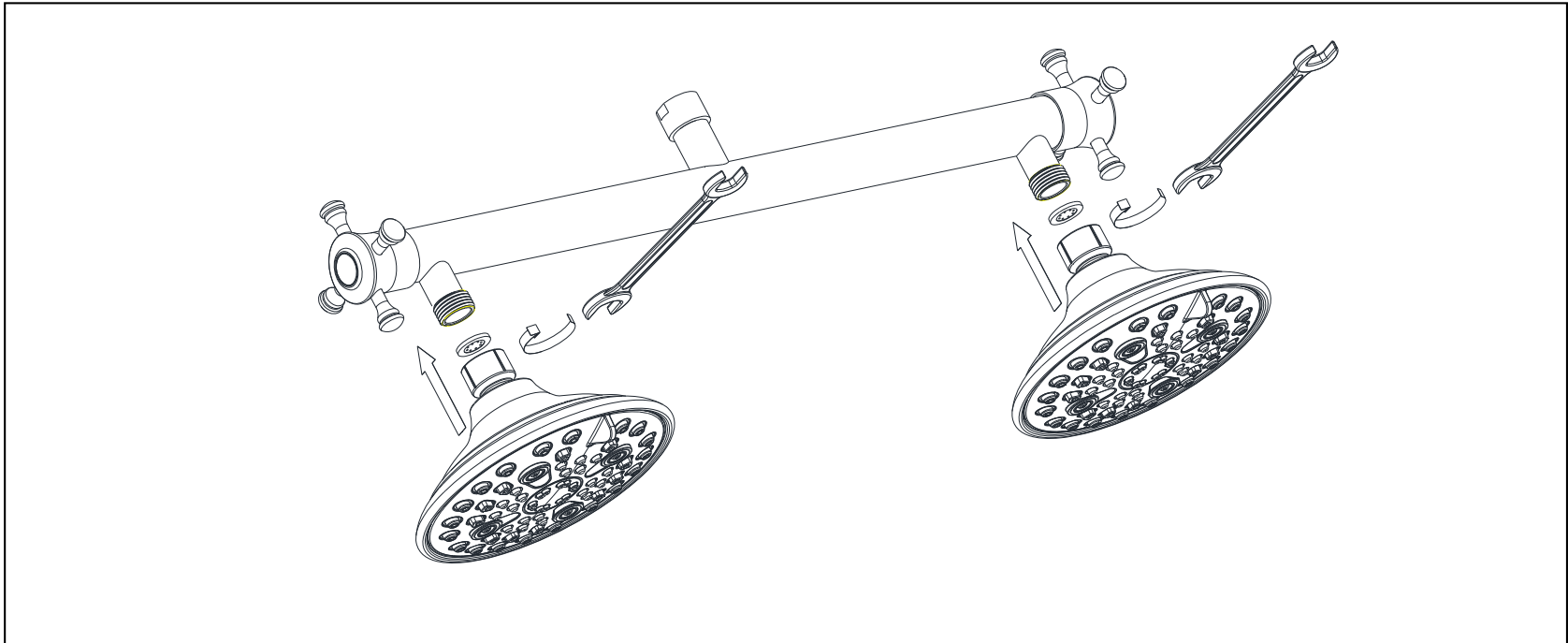
5.2 Detach the Existing Shower Head

- (a.) Unscrew the old shower head from the shower arm. You may need to use an adjustable wrench if it is tightly secured. Be cautious to avoid damaging the threads on the shower arm during removal.



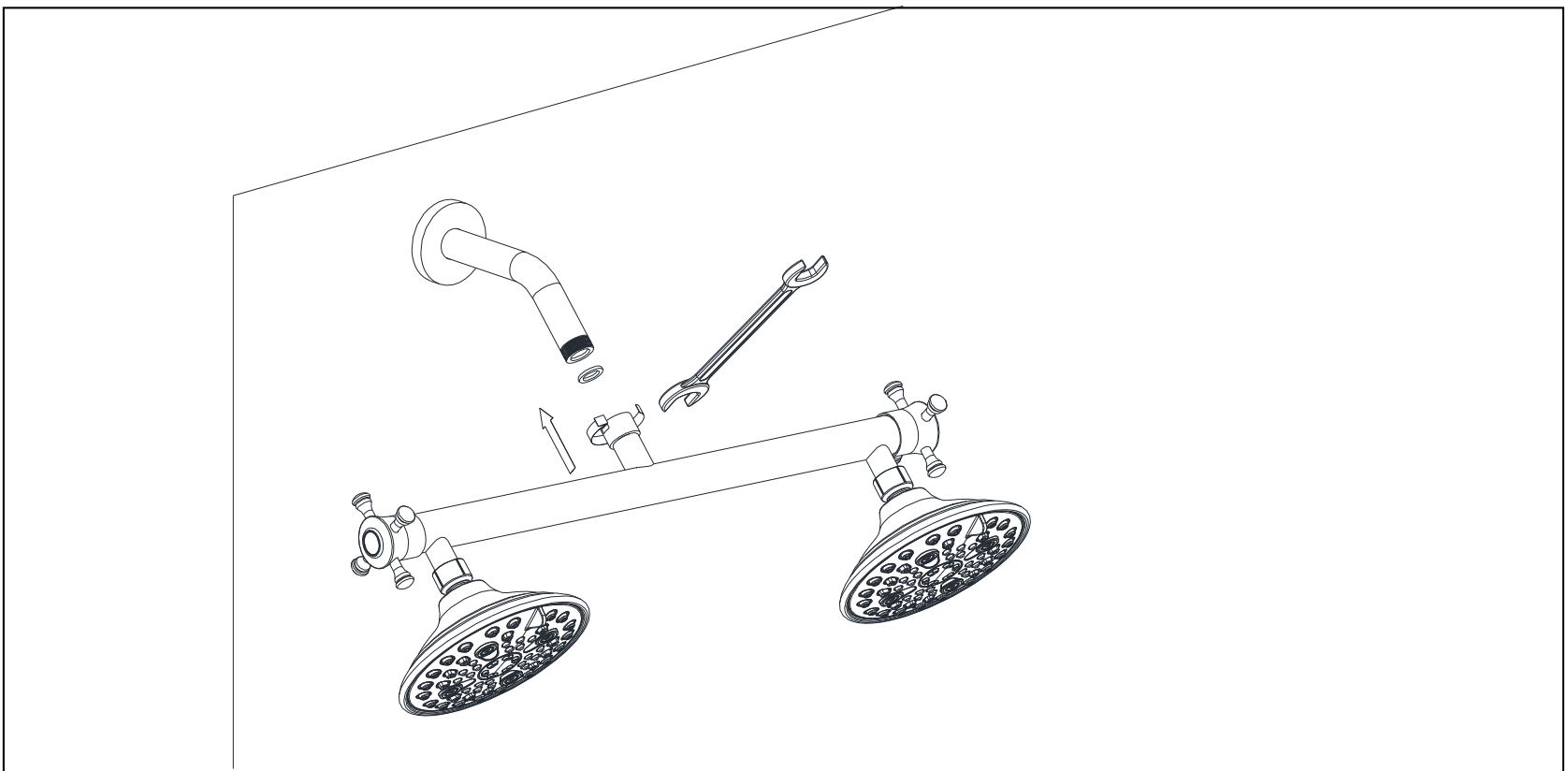
5.3 Attach the Shower Heads

- (a.) Locate the left and right water outlets on either side of the dual shower arm
- (b.) Take the shower heads and align them with the respective outlets. Hand-tighten the top nuts of the shower heads to the outlets on the dual shower arm.
- (c.) Once hand-tightened, use an adjustable wrench to further tighten the nuts. This will ensure a secure fit. Be cautious to avoid over tightening the nuts

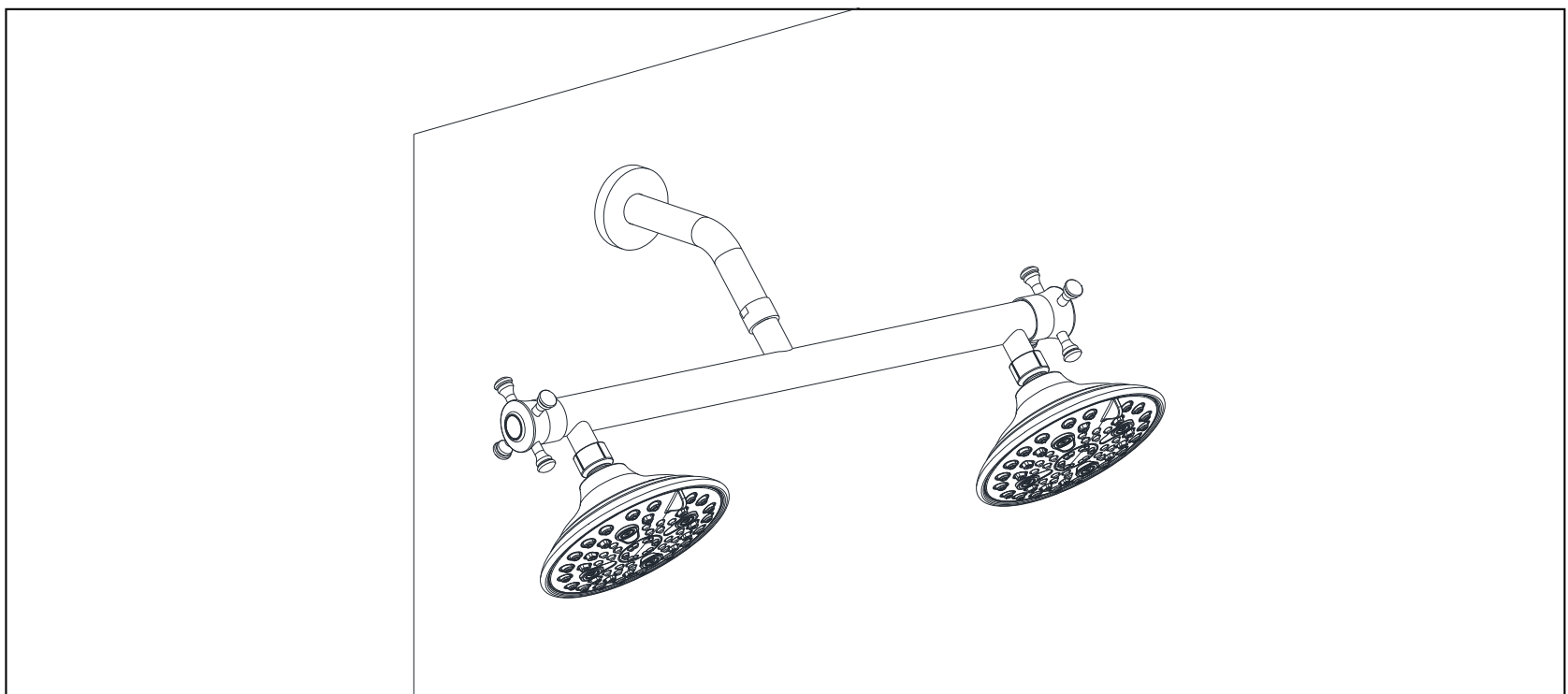


5.4 Install the New Shower Bar Assembly

- (a.) Attach the shower bar assembly to the shower arm
- (b.) Align the nuts on the inlet connectors of the shower bar with the outlet of the shower arm.
- (c.) Use a wrench to tighten the nuts in a clockwise direction to secure the connection.
Ensure the connection is tight to prevent leaks but avoid over tightening to protect the threads.



5.5 ASSEMBLY FINISHED



6 Operation Guide for Dual Shower System

Adjusting Water Flow and Operation of Shower Heads

Your dual shower system is equipped with two control knobs located on the left and right sides of the shower bar:

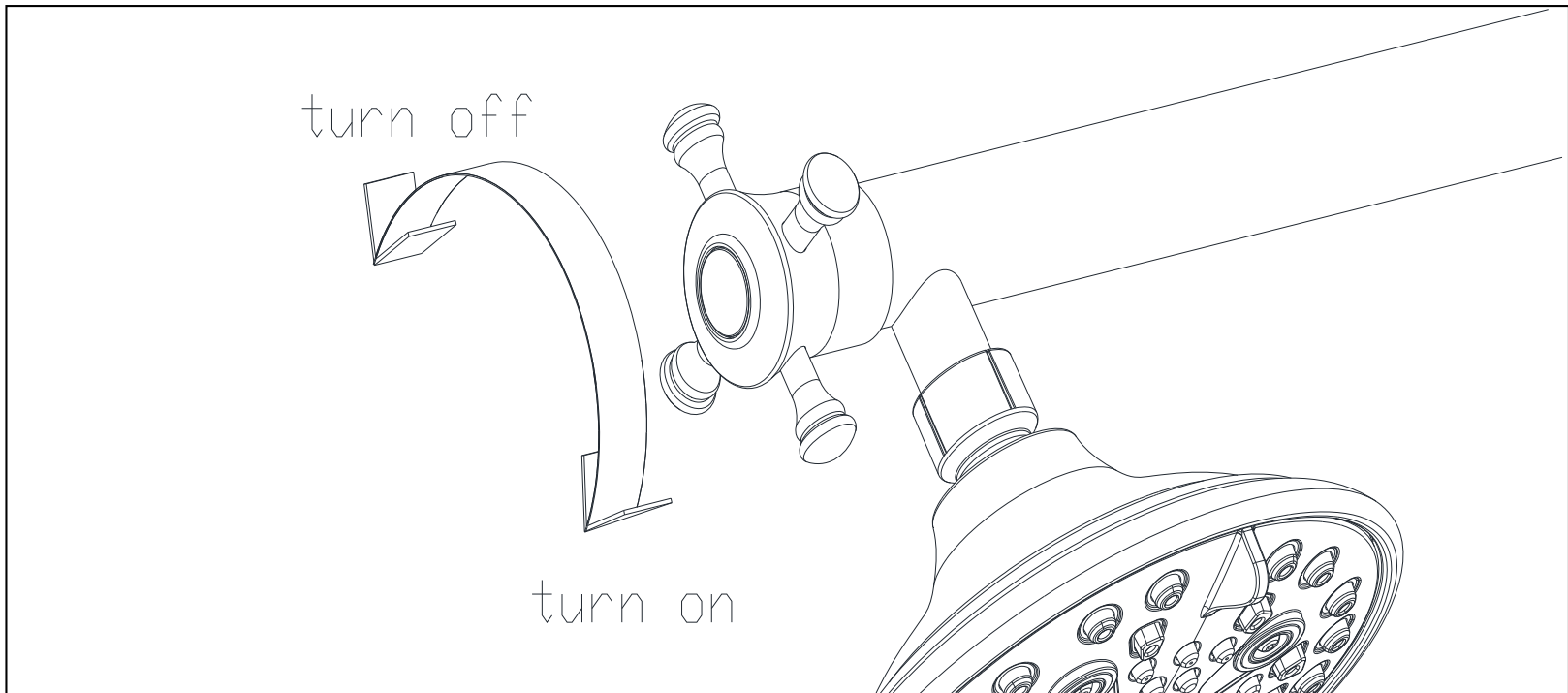
6.1 To Operate the Shower Heads

(a.) Opening the Valve:

Rotate the knob clockwise to open the valve and start the water flow. As you continue turning the knob, the water flow will increase from low to high. A 90-degree rotation will provide the maximum flow.

(b.) Closing the Valve:

To decrease the water flow or shut it off, rotate the knob counterclockwise. The water flow will decrease gradually until it stops completely when the knob is back to the 0-degree position.



6.2 Guide for Dual Operation

(a.) Simultaneous Use:

When both left and right valves are in the on position, both shower heads will release water, allowing for dual usage.

(b.) Single Use:

If you wish to use only one of the shower heads, simply open the corresponding control knob for the desired side. Ensure the other knob is in the closed position to prevent water flow from that side.

6.3 Flexible Adjustment for Optimal Comfort

(a.) Adjusting the Angle of the Shower Heads:

Each of the shower heads on the left and right sides can be adjusted up to 80 degrees vertically and horizontally. This allows users to position the water flow in their preferred direction for an optimal showering experience.

To Adjust:

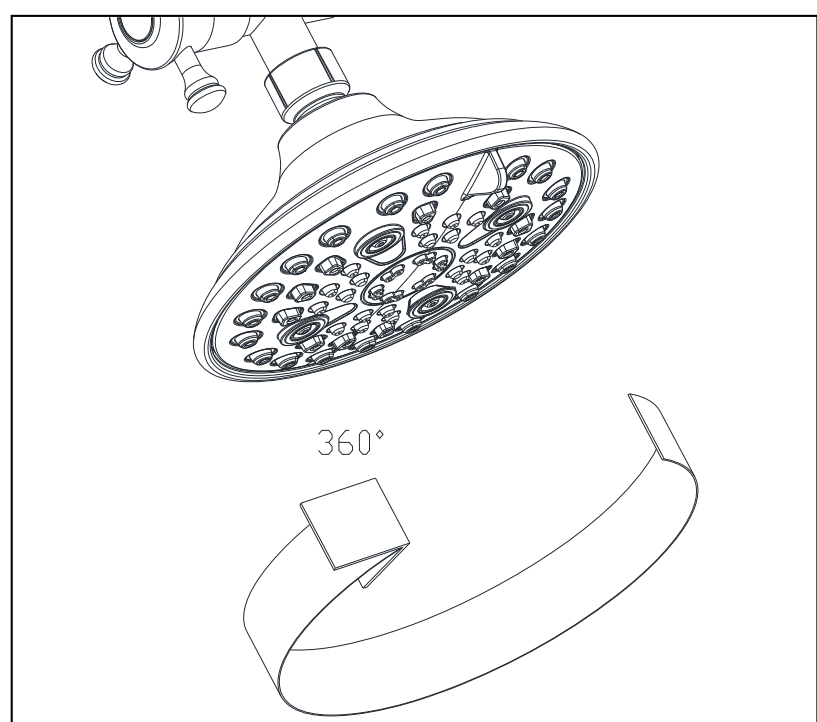
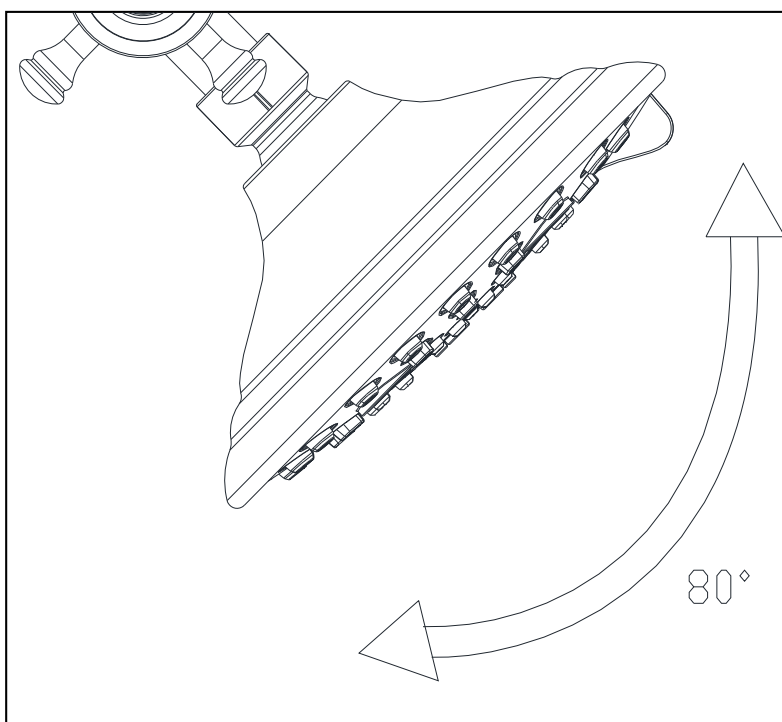
- (1) Gently push or pull the shower head up or down to adjust the vertical angle.
- (2) Swing the shower head left or right to set the horizontal angle.

(b.) 360-Degree Rotation of the Ball Joint:

The ball joint at the base of each shower head enables a full 360-degree rotation, offering even greater flexibility in directing the water flow.

To Rotate:

- (1) Hold the shower head firmly and rotate it clockwise or counterclockwise, as needed, to achieve the desired orientation.



6.4 Adjusting the Spray Modes of the Shower Head

(a.) Selection of Various Water Patterns:

The shower head is equipped with six distinct spray modes to enhance your showering experience. These modes include:

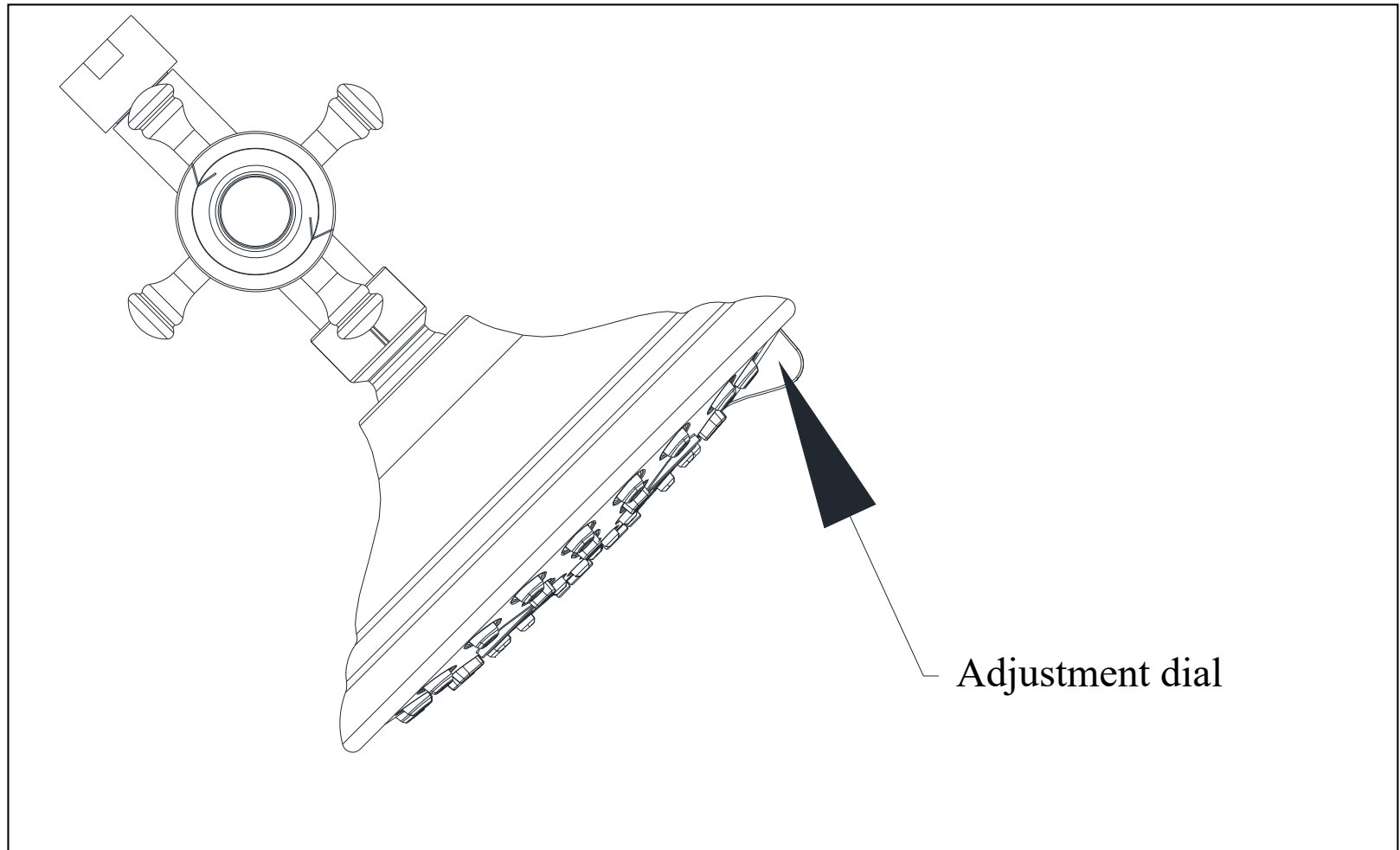
- Rain: A soothing, rain-like pattern for a gentle shower
- Misty: Fine mist for a refreshing experience.
- Massage: Concentrated jets for a tension-relieving effect.
- Rain and Misty: A combination of rain and mist for a luxurious shower feel.
- Rain and Massage: A mix of gentle rain and massaging jets.
- Trickle: A low-flow option for saving water while soaping up or for gentle rinsing.

(b.) How to Adjust the Spray Modes:

Locate the Adjustment Dial: Find the dial or switch located on the shower head.

Change Modes:

- (1) Rotate the dial to the left or right to switch between the different spray modes.
- (2) Each mode is indicated on the dial, and you will feel a slight click as you turn the dial to a new position.



7. INSPECTION

7.1 Turn on water supply and check all connection for ensuring no leaking anywhere.

INSTALL FINISH

CLEARING RECOMMENDATION FOR SUMERAIN PRODUCTS

Modern lavatory faucets, kitchen faucets, and showers consist of very different materials to comply with the needs of the market with regard to design and functionality. To avoid damage and returns, it is necessary to consider certain criteria when cleaning.

Cleaning Materials for faucets and showers

Acids are a necessary ingredient of cleaning materials for removing lime, however please pay attention to the following points when cleaning faucets and showers:

- Only use cleaning materials which are explicitly intended for this type of application.
- Never use cleaning materials which contain hydrochloric, formic, phosphoric, or acetic acid, as they cause considerable damage.
- Never mix one cleaning material with another.
- Never use cleaning materials or appliances with an abrasive effect, such as unsuitable cleaning powders, sponge pads, or micro fiber cloths.

Cleaning instructions for faucets and showers

Please follow the cleaning material manufacturer's instructions. In addition, pay attention to the following points:

- Clean the faucets and showers as and when required.
- Use the amount of cleaning product and the amount of time recommended by the manufacturer. Do not leave the cleaner on the fixture longer than necessary.
- Regular cleaning can prevent calcification, if scale deposits are noticed on the faucet surface or the spout, you can clean it by a commercial limescale remover. Dilute the remover according to the label instructions.
- The faucets might have some rusty if your faucet under hard water condition, please rub it with aluminum foil dipped in water until the surface is nice and smooth, and wipe it use a small amount of chrome polish or maybe something like car wax or polish.
- For stainless steel faucet and spout both made of solid stainless, normally this finish has not protective coating on it(in particular waterfall spout inside),stainless steel is by its material nature very tarnish resistant, but by no means tarnish or stain proof. This finish might oxidize naturally over time and react to its environment. Keep your stainless fixture wiped clean and dry and use only a cleaner specifically made for stainless steel.
- When using spray cleaners, spray first onto a soft cloth or sponge, never spray directly onto the faucet as droplets can enter openings and gaps and cause damage.
- After cleaning, rinse thoroughly with clean water to remove any cleaner residue.

Important

Residues of liquid soaps, shampoos, and shower foams can also cause damage, so rinse with clean water after using.



Please note: if the surface is already damaged, the effect of cleaning materials will cause further damage.

Components with damaged surfaces must be replaced or injury could result.

Damage caused by improper treatment is not covered under the warranty.