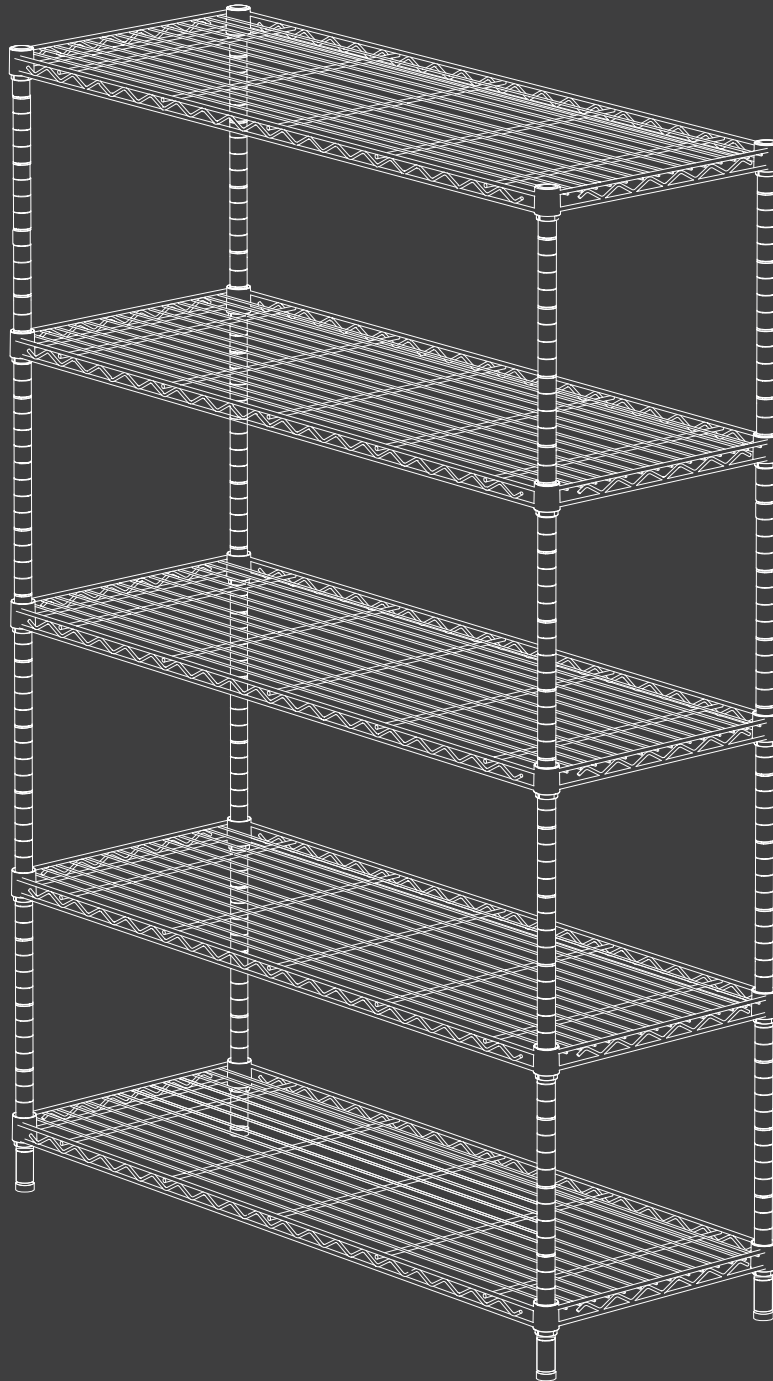


5 Tier Storage Shelving

Instruction Manual

ZWJ-T90-5L

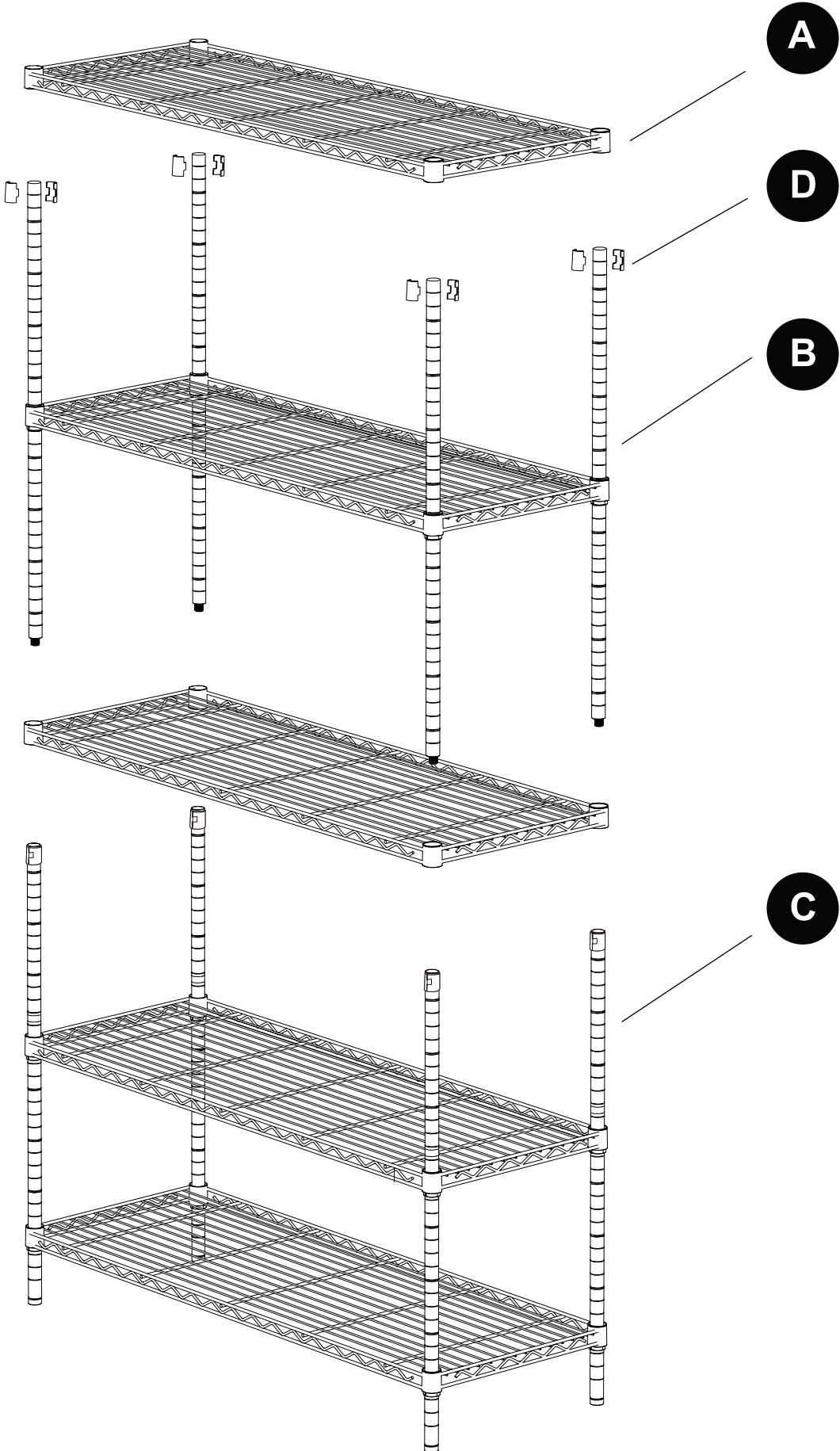


✉ HJ-Customer-Service@outlook.com

☎ (909)637-7665 | (909)637-7593

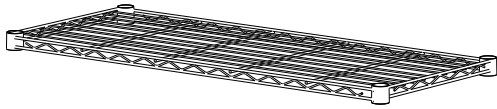
EST 9:00AM--17:00PM

Exploded Drawing



1 Component List

A X5



Shelf

B X4



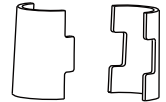
Upper Pole

C X4



Lower Pole

D X20

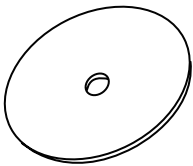


Spacer

(One pair contains two spacers)

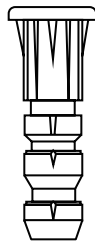
2 Supplied Parts and Hardware

1 X2



Washer

2 X2



Anchor

3 X2



Screw



SAFETY INFORMATION

Please read and understand this entire manual before attempting to assemble or install the product.

- Two adults required for a safe assembly.
- Do not allow children to climb or play in or around the shelves.
- Each shelf holds up to 350 lbs., evenly distributed.
- Assemble on a soft surface, such as carpeting, to avoid scratching the finish.

PREPARATION

Before beginning assembly of product, make sure all parts are present. Compare parts with package contents list and hardware contents. If any part is missing or damaged, do not attempt to assemble the product.

Estimated Assembly Time: 25 minutes (depending on mounting option).

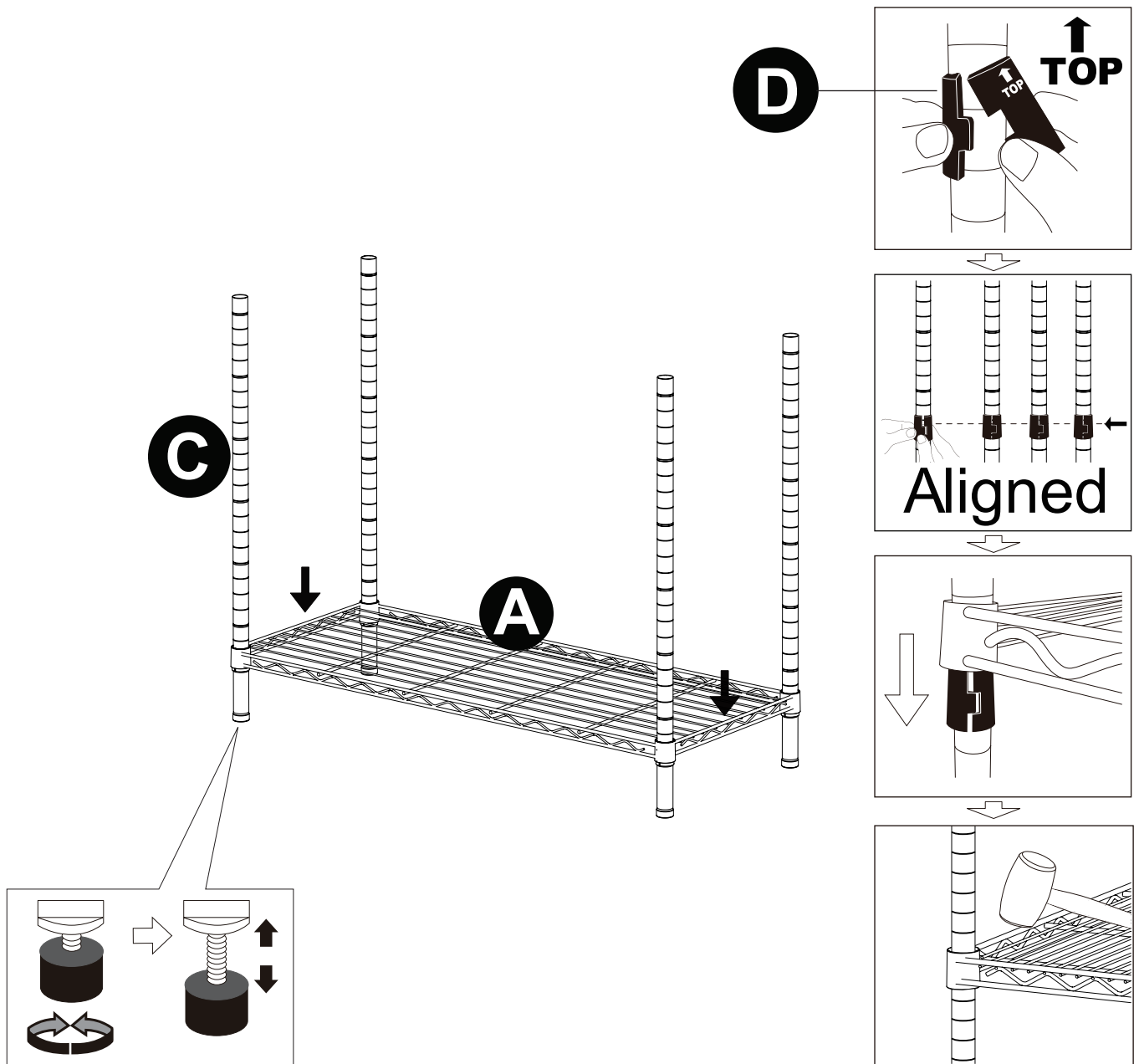
Helpful Tools (not included): Rubber mallet.

- Decide on the shelf location before beginning the assembly. Once the product is assembled, it is very difficult to move a shelf without taking the entire assembly apart and starting over.

CARE AND MAINTENANCE

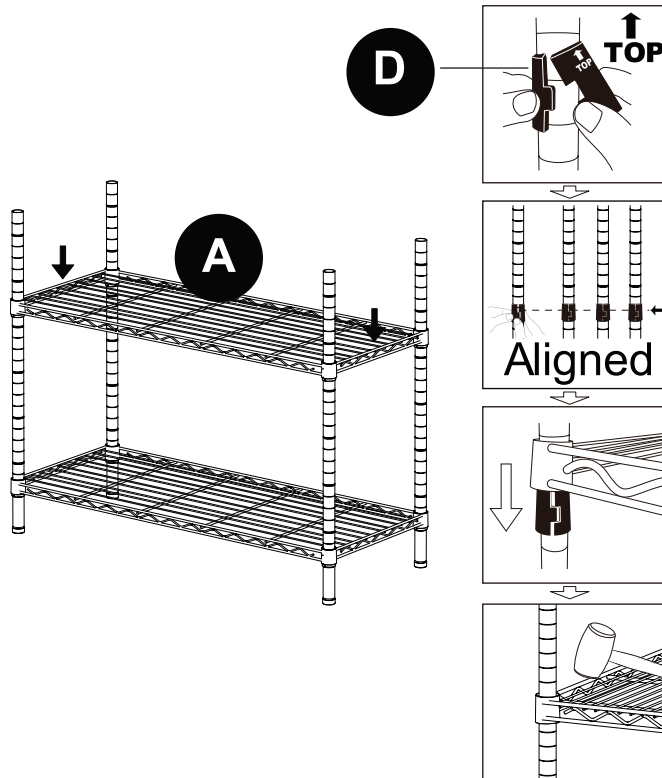
- Never use abrasive or acid-based cleaners on the shelf rack.
- Clean shelves and poles with a solution of mild detergent and water. Use a soft cloth or sponge to wipe parts. Rinse and dry thoroughly.
- Keep surfaces dry and clean for a longer lasting finish.

Step 1



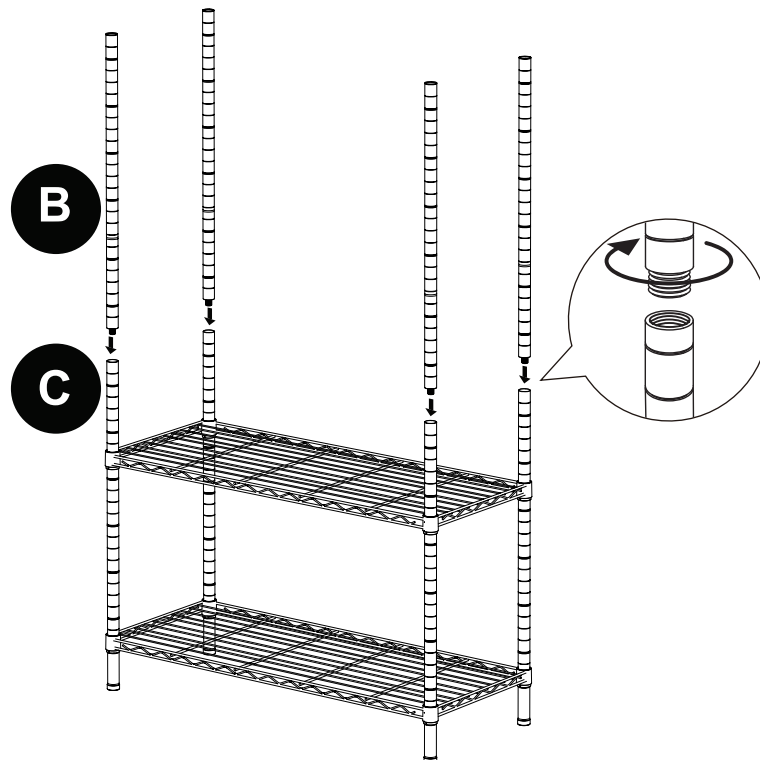
Attach two spacers (D) on each lower pole (C), ensuring they are all level and that the arrows on the spacers (D) point upward. Place the lower poles (C) through the corner holes of one shelf (A), then push down on shelf (A) to ensure it is securely over the spacers (D). Once the first shelf (A) is installed, use preassembled levelers on the bottoms of lower poles (C) to level the item at the desired final location.

Step 2



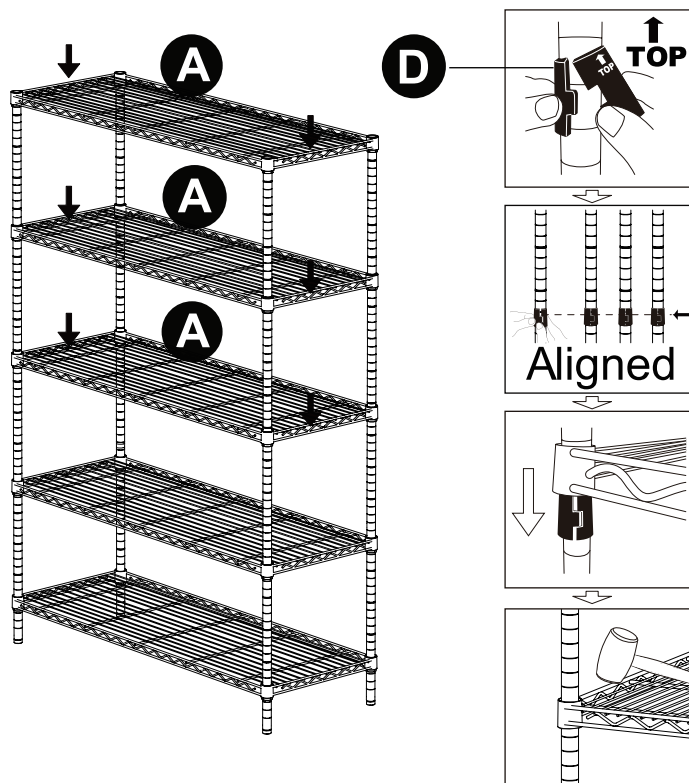
Repeat step 1 for the second shelf (A) as desired.

Step 3



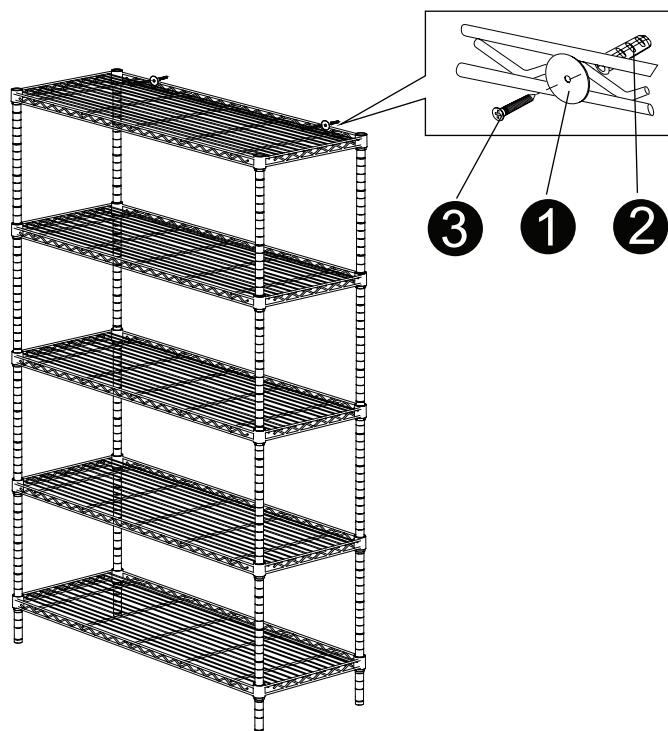
Screw the upper poles (B) onto the threaded ends of the lower poles (C). Be sure the connection is secure and tight before proceeding to the next step.

Step 4

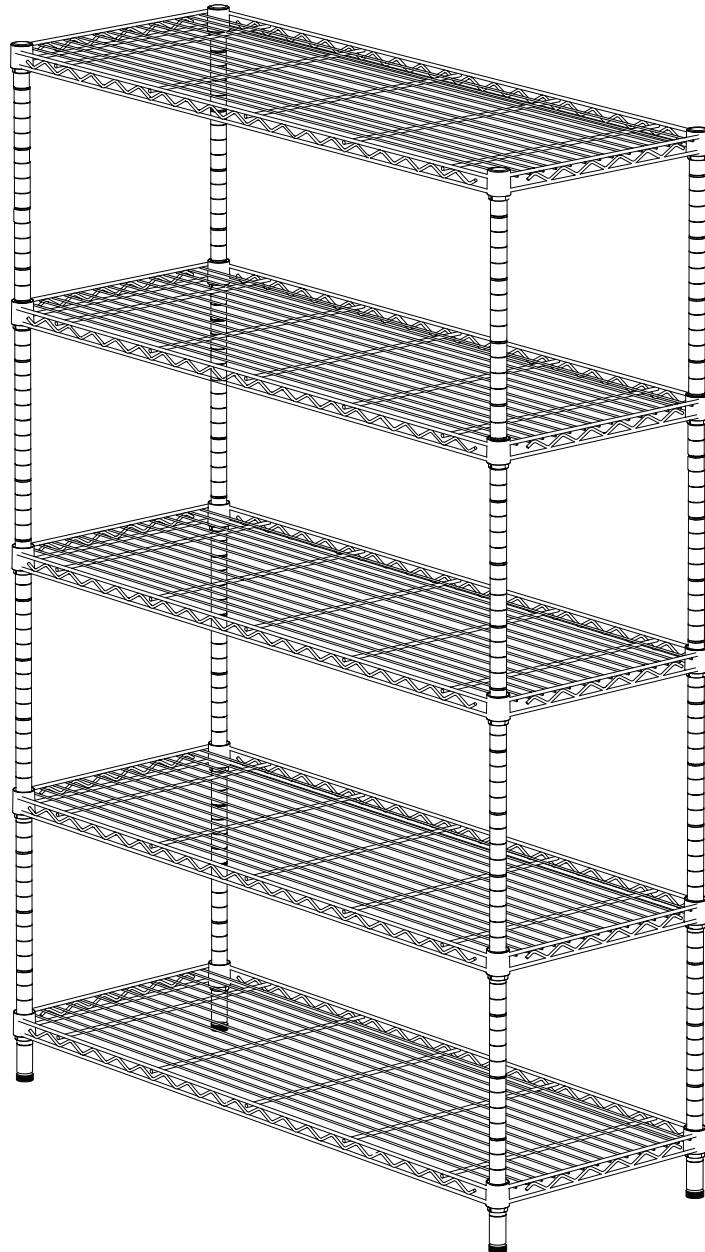


Repeat step 1 for the third, fourth and fifth shelf (A) as desired.

Step 5



NOTE: This step is REQUIRED to ensure the stability of the item. Using a pencil (not included) through the top shelf (A), mark the screw hole locations, then set the item aside (with the help of another person). Using a 1/4-in. drill bit (not included), drill a 1/4-in. pilot hole at marked locations. Insert anchors (2) into the holes, then move the item back into position. Insert the screws (3) through washers (1) and the shelf (A), then into the anchors (2).



Technical Support

(909)637-7665 | (909)637-7593

Other Info

HJ-Customer-Service@outlook.com

Thank you for choosing this product. We strive to provide you with the best quality products and services in the industry. Should you have any issues, please don't hesitate to contact us.