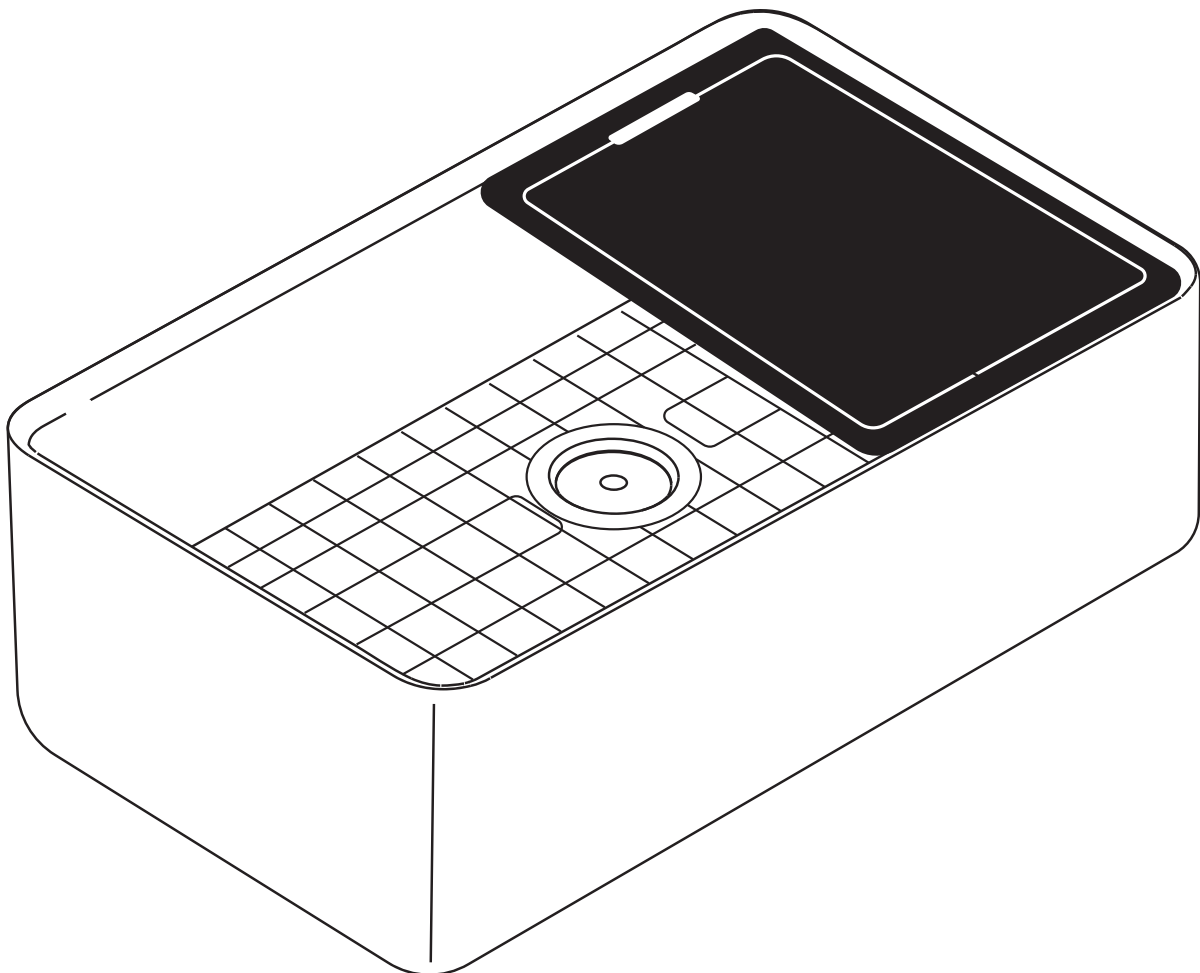


INSTALLATION INSTRUCTION

(UNDERMOUNT/DROP-IN KITCHEN SINK)



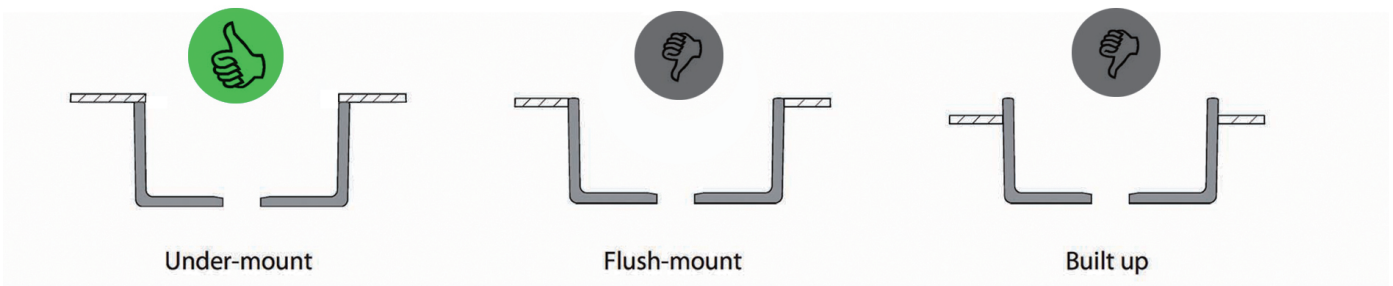
PRODUCT
INSTRUCTION
VIDEO





INSTALLATION OPTIONS

- We recommend Farmhouse Apron kitchen sink installation. Flushmount, Undermount, Overmount or Drop-In installations are not recommended.
- Ensure there is adequate room for the faucet and backsplash installations.

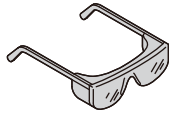


TOOLS AND MATERIALS:

To install a drop-in kitchen sink, you will need the following tools and materials:



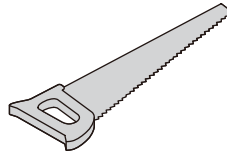
Tape Measure



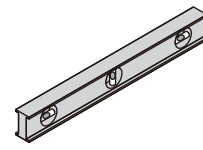
Eye Protector



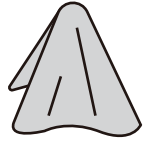
Power Drill



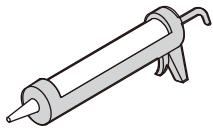
Hacksaw/Jigsaw



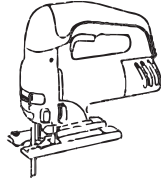
Level



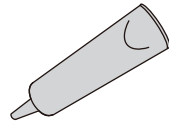
Cleaning Rags



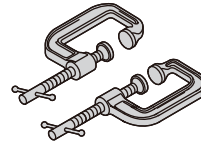
silicone adhesive sealant



Jig Saw



Silicone Sealant



Framing Square



Pencil(NO ink)

Materials

- Kitchen sink
- Drain assembly
- Bottom Grid

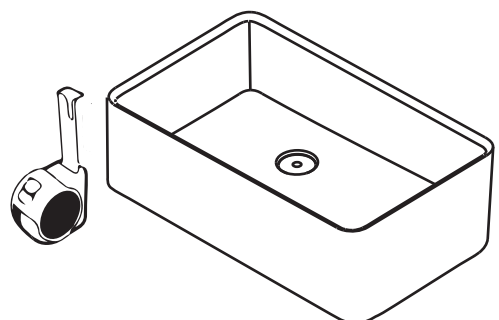
Not Included

- Water supply lines
- Faucet

INSTALLING AN APRON-FRONT KITCHEN SINK, ALSO KNOWN AS A FARMHOUSE SINK, REQUIRES CAREFUL PREPARATION AND THE FOLLOWING STEPS:

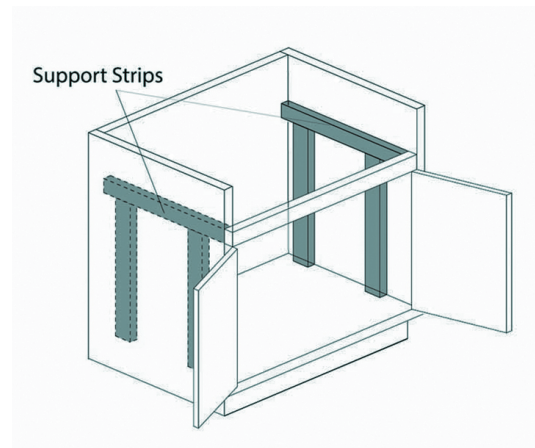
1.MEASURE AND PLAN

Measure the cabinet opening where the sink will be installed to ensure the apron-front sink fits properly. Plan for any modifications needed to accommodate the larger size of the sink.



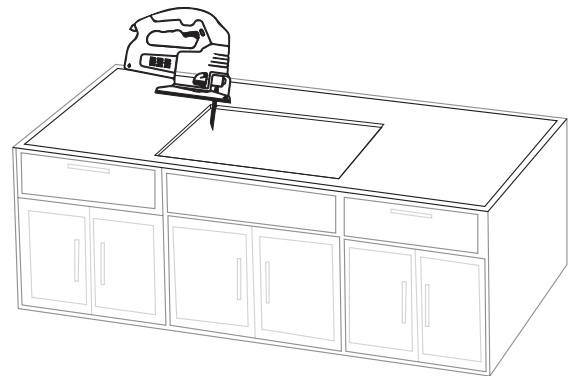
2.SUPPORT STRUCTURE

Reinforce the cabinet base to support the weight of the sink. Use support beams or brackets if necessary to provide adequate support.



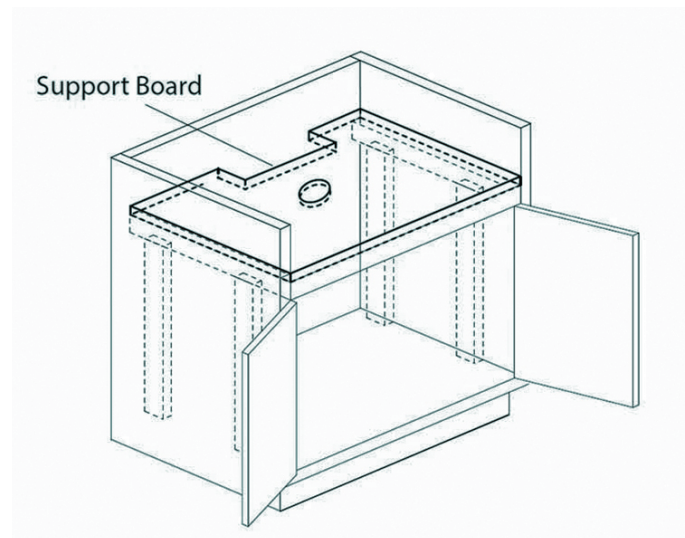
3.CUT COUNTERTOP

If the countertop needs to be modified to accommodate the sink, carefully measure and cut out the opening for the sink according to the manufacturer's specifications.



4.CREATE SUPPORT FOR SINK

Build a support frame or use adjustable supports to hold the weight of the sink. Make sure the sink will sit securely and level in the cabinet opening.

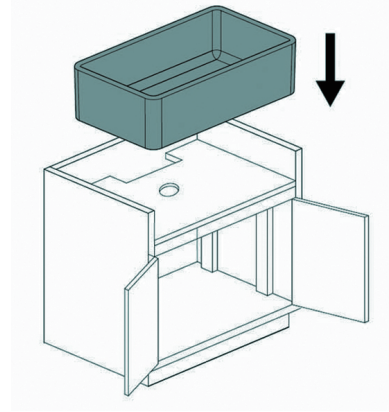


5.PLUMBING INSTALLATION

Install the sink's drain and any additional plumbing components. Make sure the plumbing aligns with the sink's configuration.

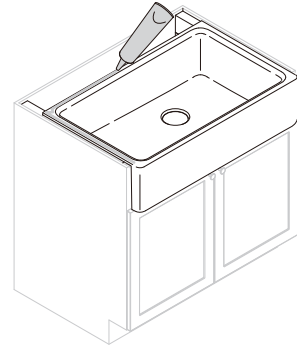
6.SINK PLACEMENT

Carefully lower the sink into the cabinet opening, ensuring it fits snugly and aligns correctly with the countertop.



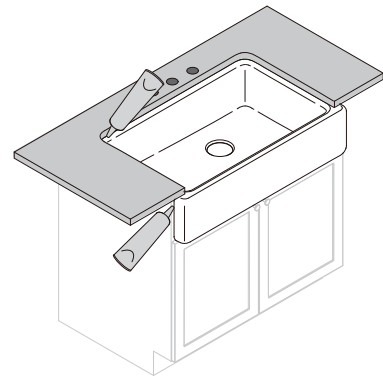
7.SECURE THE SINK

Use brackets secure the sink to the countertop or cabinet.



8.FINISH INSTALLATION

Apply any sealant or caulk around the edges of the sink to prevent water seepage.
Double-check the sink for levelness and stability.



9.CONNECT PLUMBING (See next page in more details)

Connect the sink's drain pipes and any other plumbing components, ensuring a watertight seal. Check for leaks and make adjustments as needed.

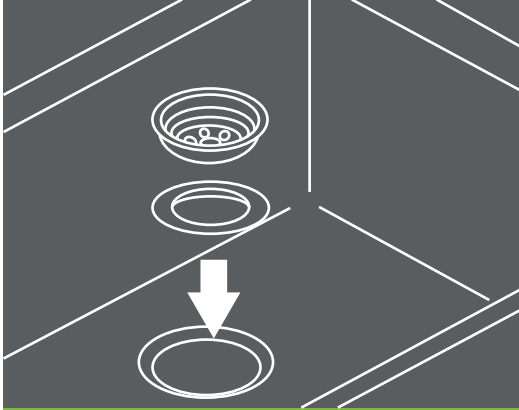
10.TEST THE SINK

Run water in the sink and check for any leaks or drainage issues. Make adjustments as necessary to ensure everything is working properly.

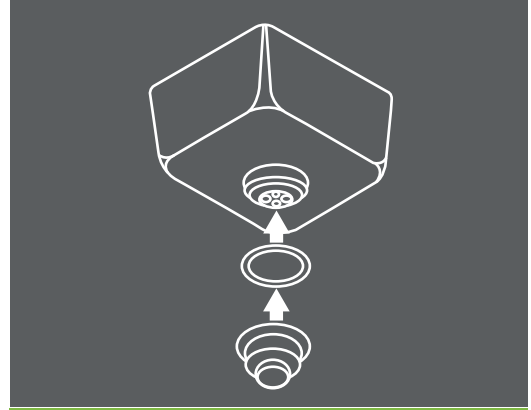
By following these steps you can successfully install a farmhouse sink in your kitchen. If you're unsure about any step, consider consulting a professional plumber for assistance.

INSTALLATION INSTRUCTIONS

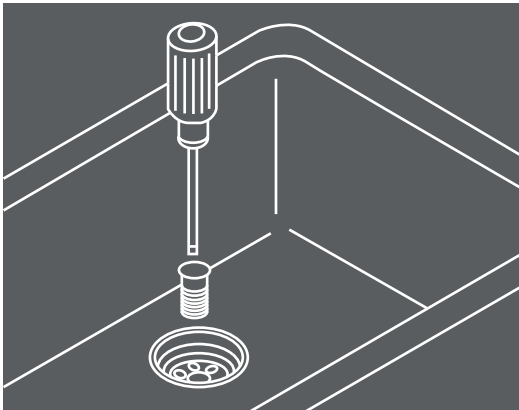
STRAINER INSTALLATION GUIDE



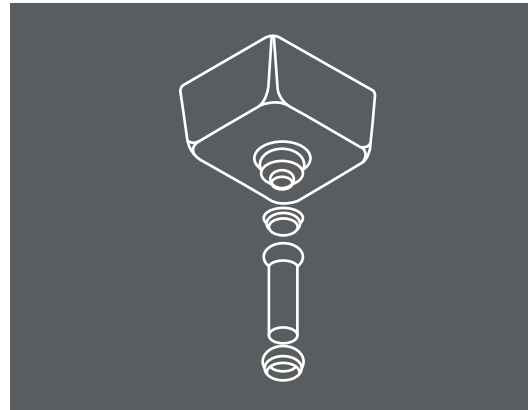
Step 1



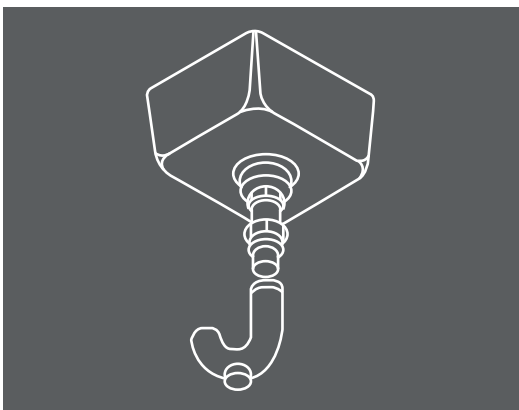
Step 2



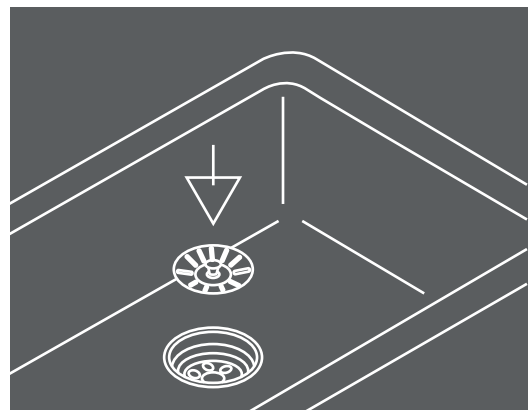
Step 3



Step 4



Step 5



Step 6

LIMITED WARRANTY

- ◆ Offers a 1 year WARRANTY on Farmhouse Sink to be free of manufacturing defects under normal use.
- ◆ Will replace at no charge excluding transportation and labour costs, any Farmhouse Sink supplied by that is proven to have a manufacturing defect, to the original purchaser, provided it has been used solely in a residential application and installed correctly. An equivalent replacement will be issued to the original owner provided the defective sink was installed in accordance with the installation procedures, used and cleaned as recommended, and not damaged due to abuse, misuse, or negligence. Chips, scratches, and stains are not deemed to be manufacturing defects.
- ◆ Will not be held liable for chips, scratches, and stains that can occur under normal use over a period of time. Please refer to the cleaning instructions to maintain your sink.
- ◆ Shall not be held liable under this warranty where the sink has been used in a non-residential application, improperly installed, or damaged by an object being dropped on or impacting the sink or from improper handling.
- ◆ Shall not be liable for any inconvenience or expense for material or labor related to the removal or replacement of a defective sink or for any loss or damage to any person or property whatsoever resulting from the defective sink. All transportation costs to and from the point of purchase will be the responsibility of the purchaser.
- ◆ Any sink returned must be in the original packaging and include all the accompanying accessories, parts, and documentation. The manufacturer reserves the right to inspect and/or request digital pictures of any sink reported to be defective prior to replacement of the sink. Any manufacturing defect covered under this warranty must be reported to for warranty claim within 30 days of appearance.
- ◆ It is important that the professional fabricator installer and enduser carefully inspect the sink for damage immediately upon delivery.
- ◆ If any damage is not reported and documented on the delivery receipt with the shipping carrier upon delivery all insurance coverage ends and will not be able to file a claim or send a replacement sink.
- ◆ To submit a warranty claim it is the responsibility of the customer or installer to submit to a minimum of five(5) high resolution photographs clearly showing the manufacturing defect. Replacement cost excludes transportation and any labor costs for the removal or reinstallation.
- ◆ Under no circumstances shall be liable for any loss or damage arising from the purchase, a defect in, or use or inability to use this Farmhouse Sink, or for any special, indirect, incidental or consequential damages. Liability under this warranty is limited to the repair or replacement of the defective material to the location of purchase.