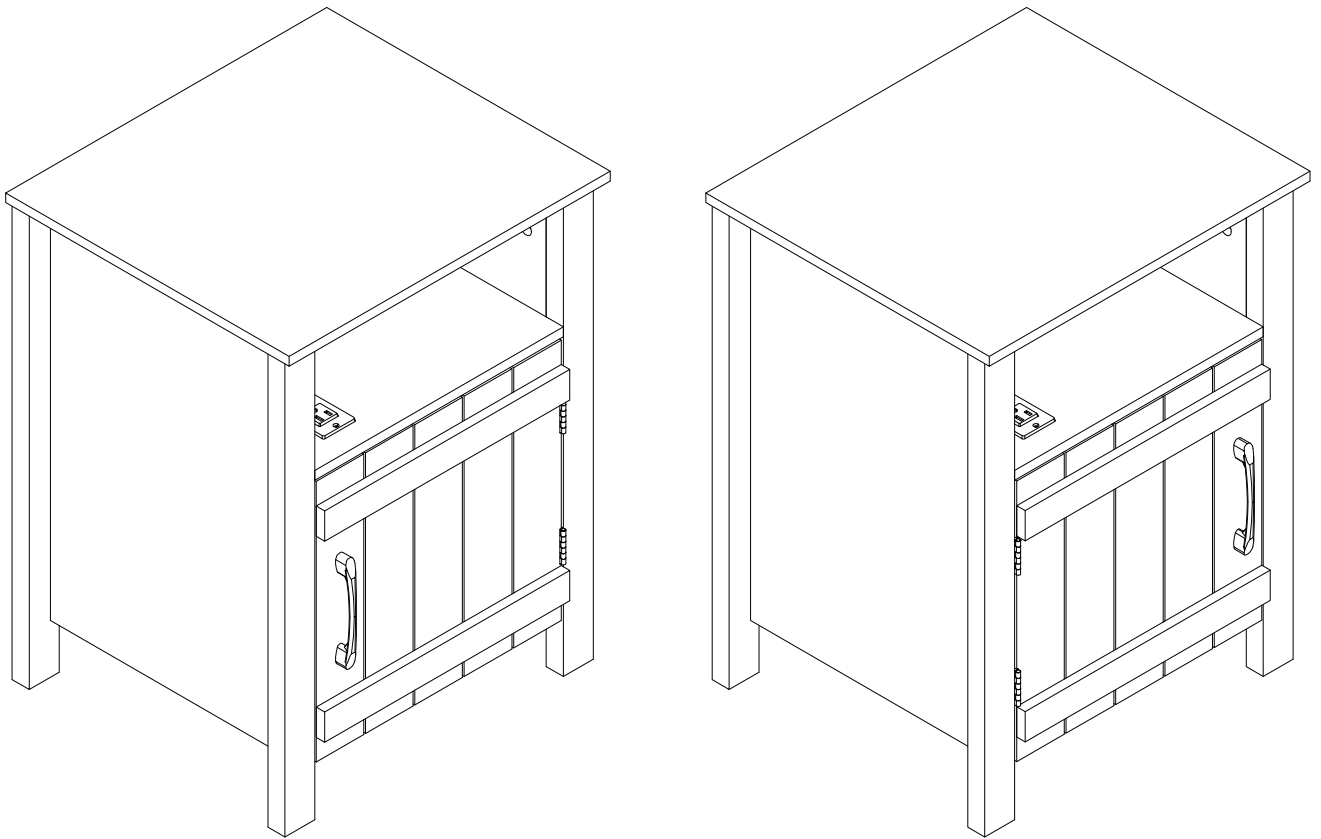




Farmhouse Nightstand

ASSEMBLY INSTRUCTIONS



Thank you for purchasing our products. Please contact us if you have difficulty with assembly or need replacement parts. Our customer service is here to assist you.

Please attach your User Name or Order ID so that we can assist you better.

Email: hzymx2023@163.com



ASSEMBLY CHECKLIST

1. Assembly should be carried out by a competent adult only. Suggest 2 adult.
2. Regularly check all parts and ensure that they are firmly fixed for safe use.
3. Read the instructions thoroughly before beginning assembly .
4. Always assemble the product on a soft surface such as carpet or cardboard to avoid scratching or damaging the surface of the product .
5. Identify and lay out all components so that you are familiar with them.
6. Do not fully tighten all screws until the step/process has been completed.



Useful Information

1. Never Use power tools as they can damage components or hardware if used incorrectly .
2. The most common mistakes are made during assembly from using the wrong hardware or getting components back to front .
3. Always assemble the product on a soft surface such as carpet or cardboard to avoid scratching or damaging the surface of the product .
4. Placez les articles les plus lourds sur la tablette la plus basse.
5. Ne laissez jamais les enfants grimper ou cogner sur les tiroirs, les portes ou les étagères.



WARNING

Serious or fatal injury may occur from unexpected assembly or use.

1. During the assembly process, keep all parts away from babies or children.
2. Always install tipover restraint provided. Make sure the wall area to be drilled is free from hidden electrical wires, water and gas pipes.
3. Use of tip-over restraints may only reduce, but not eliminate the risk of tip-over.
4. Unless specially designed to accommodate, do not set heavy objects on top of this product.
5. Place the heaviest items on the lowest shelf.
6. Never allow children to stand, climb or hang on drawers, doors, or shelves.

INSTRUCTIONS FOR CAM-BOLT(A)& CAM-LOCK(B)

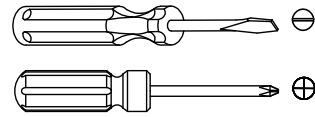


CAM-BOLT

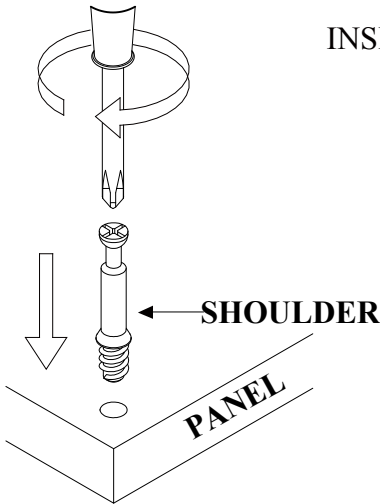


CAM-LOCK

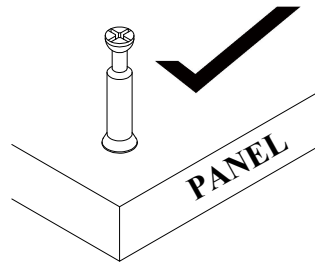
Tools Required



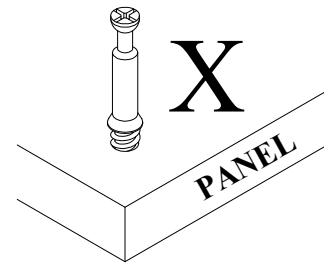
INSERTING AND TIGHTENING CAM-BOLT



Place Cam-bolt on pre-drilled hole and screw in vertically



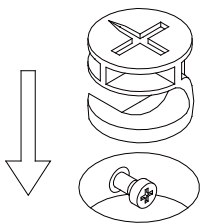
Shoulder is flushed (on the same level) with the panel.



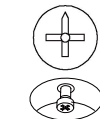
Shoulder is above the panel.

Place Cam-bolt on the designated pre-drilled hole on the panel. Use a Phillips Screwdriver to screw-in Cam-bolt vertically. Until shoulder is flushed (on the same level) with the panel.

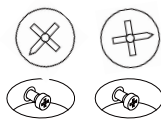
INSERTING CAM-LOCK



Insert Cam-lock with arrow align to Cam-bolt head



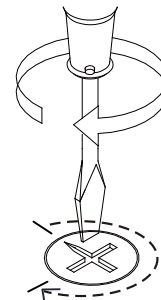
CORRECT



WRONG

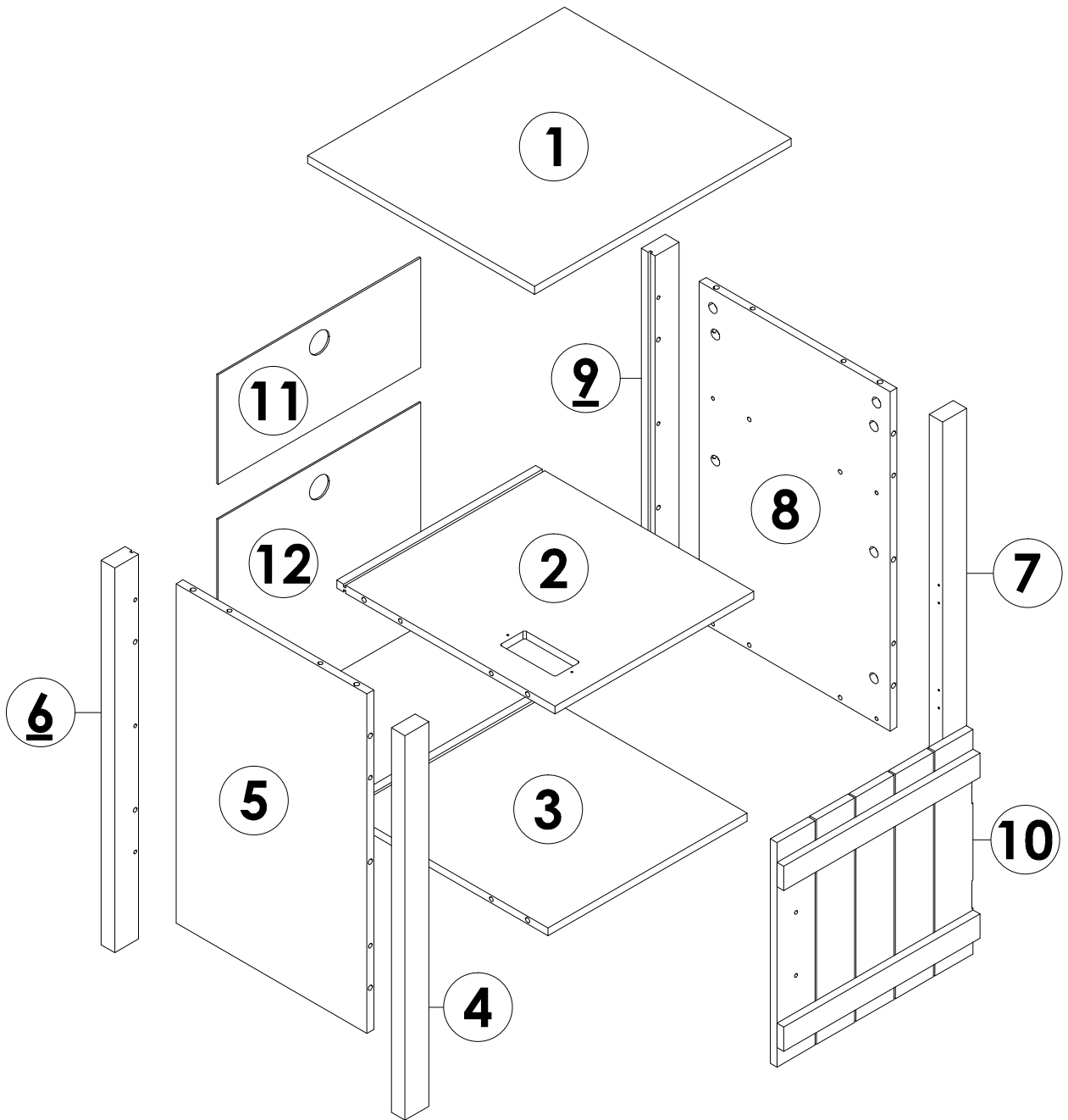
Align the arrow on the Cam-bolt to the Cam-bolt head and insert the Cam-lock. Ensure Cam-lock is fully inserted.

TIGHTENING CAM-LOCK



Use a Flat-head Screwdriver to turn Cam-lock clockwise so it locks onto the head of the Cam-bolt. Turn until it is snug (about 3/4ths of a turn) -- over-tightening could damage Cam-lock or/and Cam-bolt.

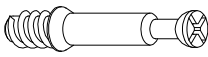

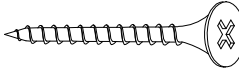

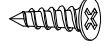
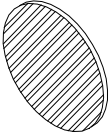
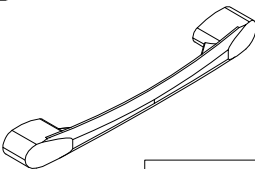
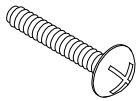
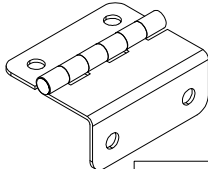

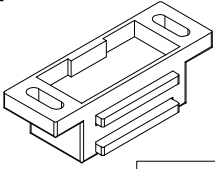
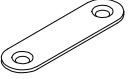
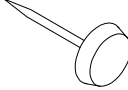
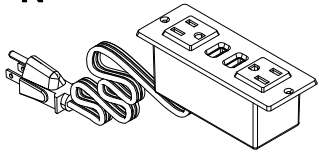
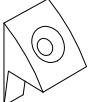
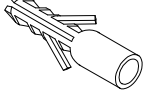

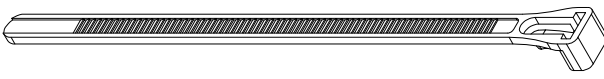
Parts List(EN) / Teile Liste(DE)



①	452*399*12mm	1PC
②	352*382*12mm	1PC
③	352*370*12mm	1PC
④	586*42*24mm	1PC
⑤	517*336*12mm	1PC
⑥	586*42*24mm	1PC

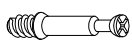
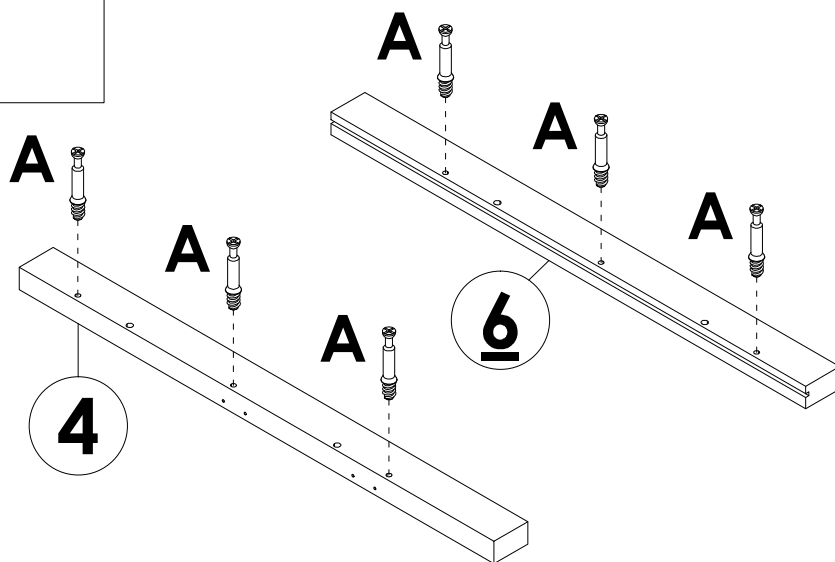
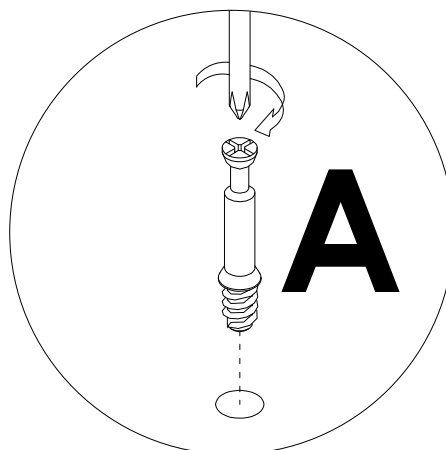
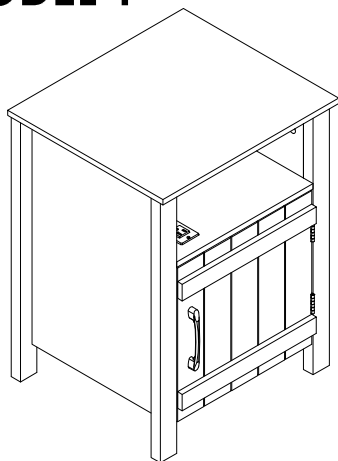
⑦	586*42*24mm	1PC
⑧	517*336*12mm	1PC
⑨	586*42*24mm	1PC
⑩	342*345*24mm	1PC
⑪	357*167*2.5mm	1PC
⑫	339*357*2.5mm	1PC

Parts List(EN) / Teile Liste(DE)

<p>A</p>  <p>M6x35mm 24+2PCS</p>	<p>B</p>  <p>Ø15x9mm 24+2PCS</p>	<p>C</p>  <p>M4x40mm 2PCS</p>	<p>D</p>  <p>Ø6x30mm 20+2PCS</p>
<p>E</p>  <p>M3x12mm 10+1PCS</p>	<p>F</p>  <p>Ø20mm 8+1PCS</p>	<p>G</p>  <p>96mm 1PC</p>	<p>H</p>  <p>M4x16mm 2PCS</p>
<p>I</p>  <p>12mm 2PCS</p>	<p>J</p>  <p>M3x14mm 14+1PCS</p>	<p>K</p>  <p>1PC</p>	<p>L</p>  <p>1PC</p>
<p>M</p>  <p>4PCS</p>	<p>N</p>  <p>1PC</p>	<p>O</p>  <p>8+1PCS</p>	<p>P</p>  <p>M6x30mm 2PCS</p>
<p>Q</p>  <p>4PCS</p>	<p>R</p>  <p>2PCS</p>		

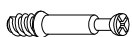
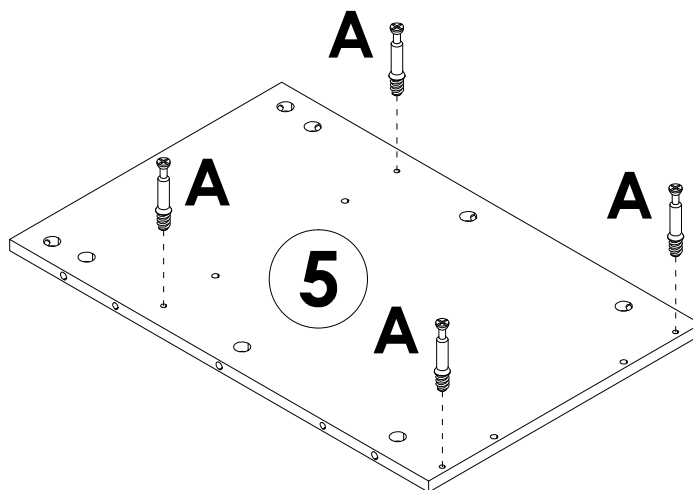
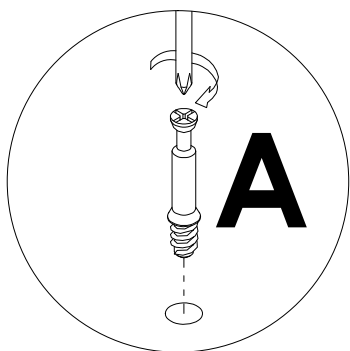
STEP 1

MODEL 1



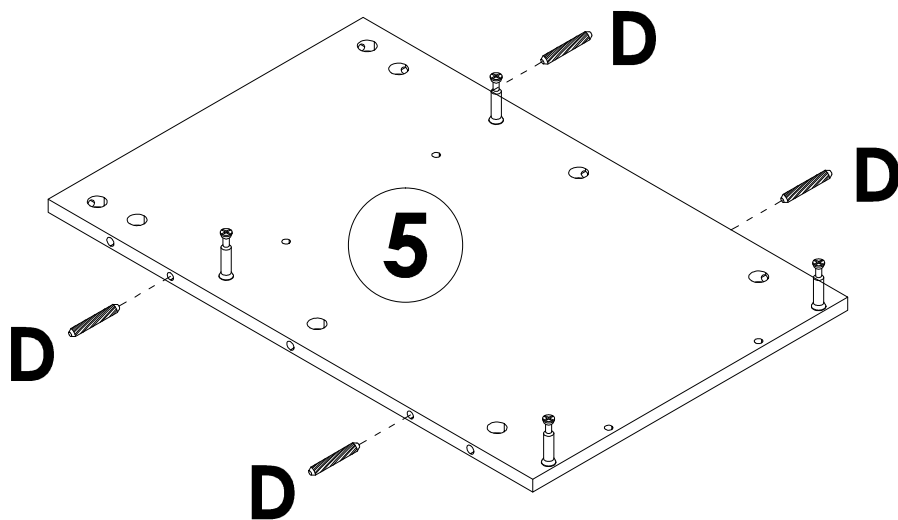
A x 6PCS

STEP 2



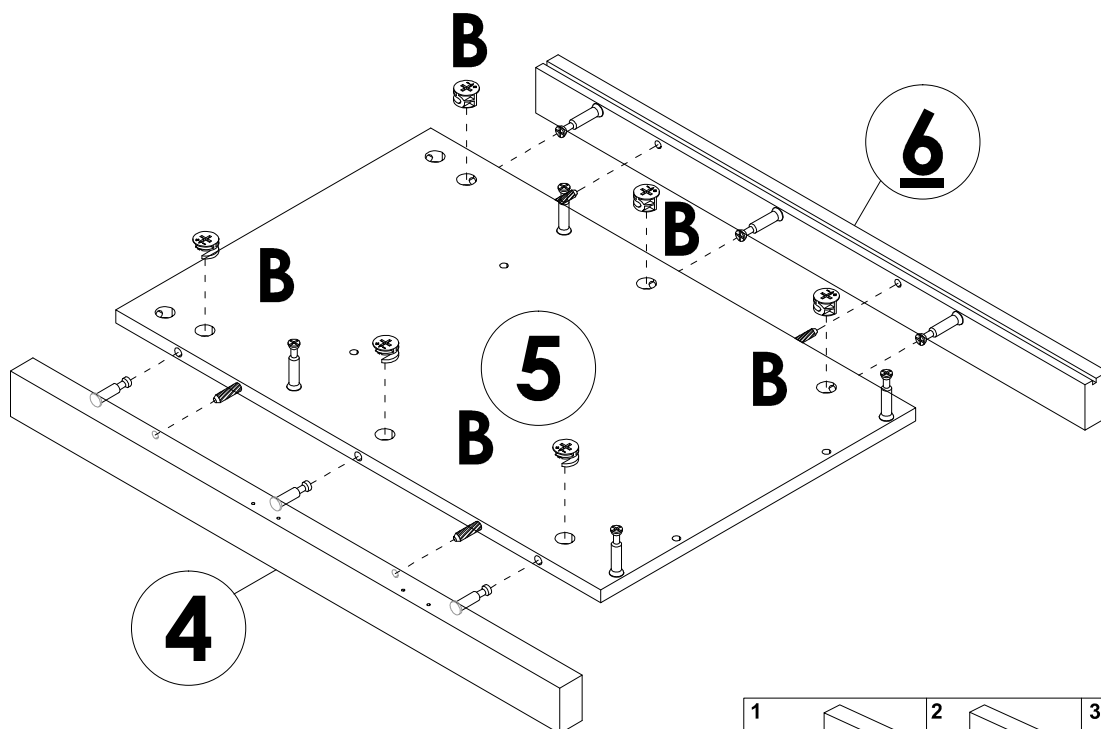
A x 4PCS

STEP 3

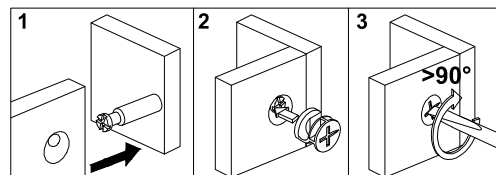


D x 4PCS

STEP 4

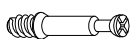
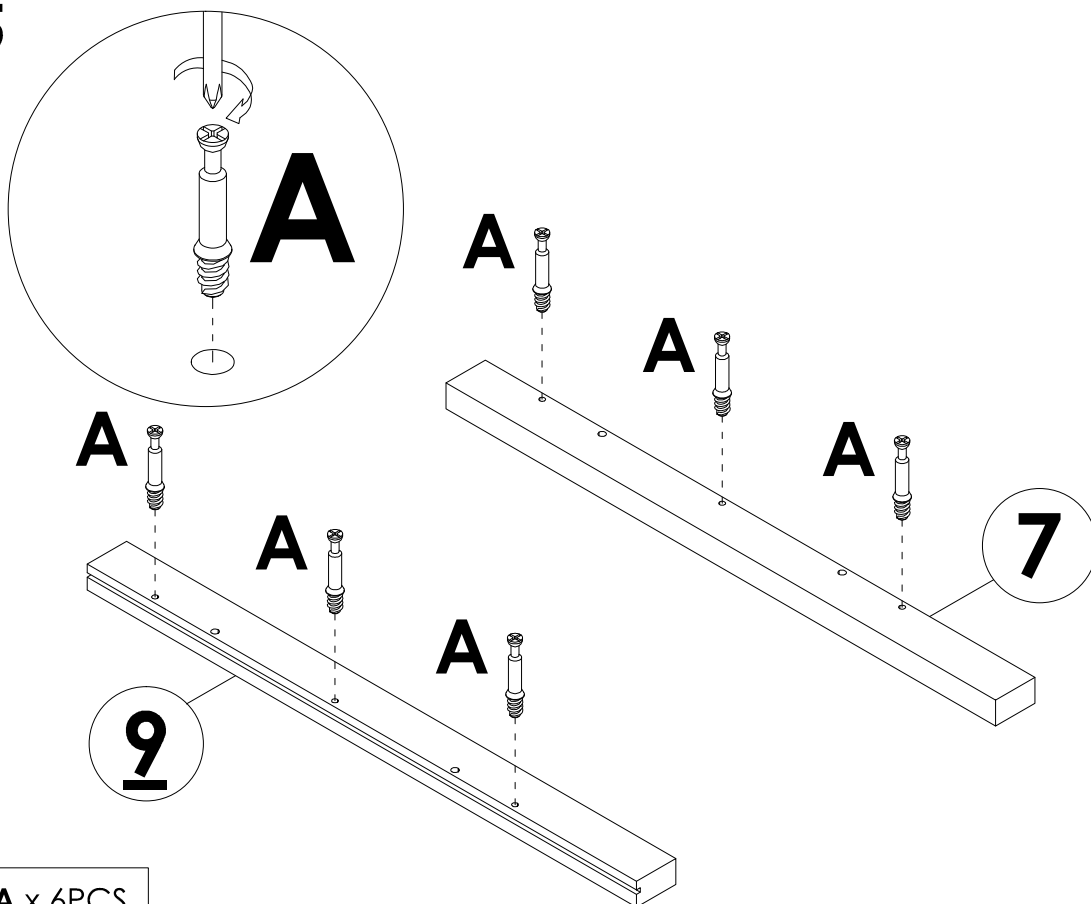


B x 6PCS



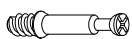
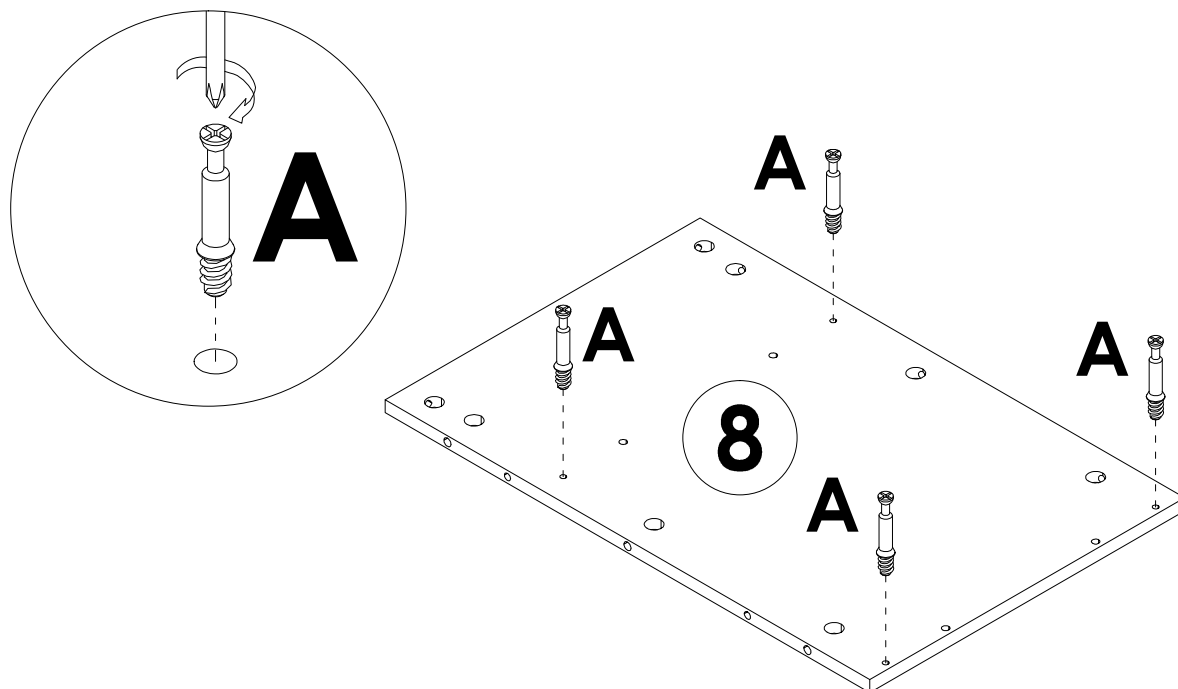
Assembly Steps(EN) / Montageschritte(DE)

STEP 5



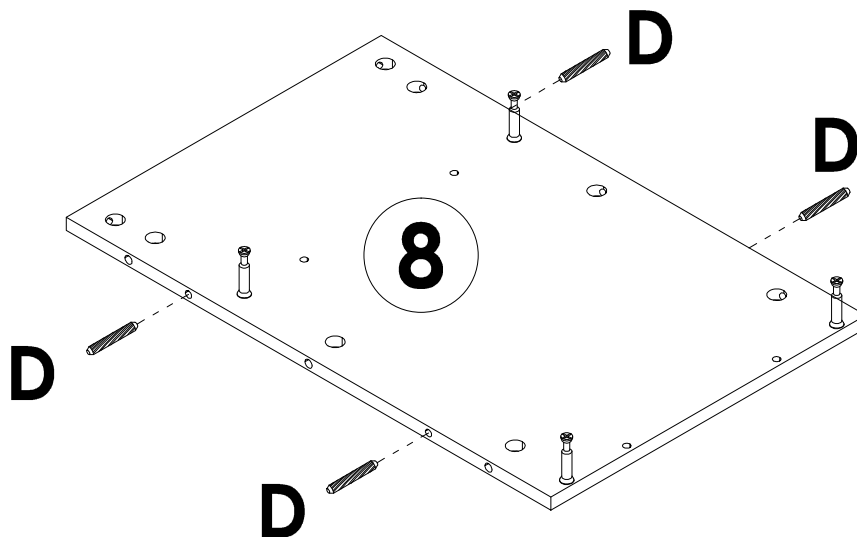
A x 6PCS

STEP 6



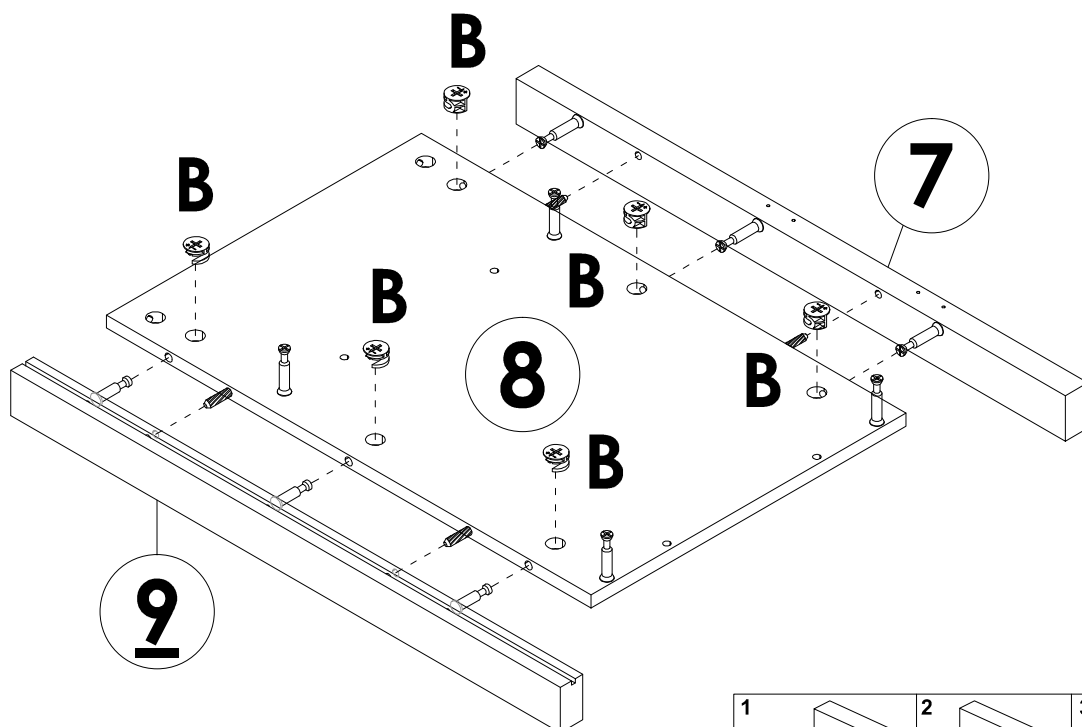
A x 4PCS

STEP 7

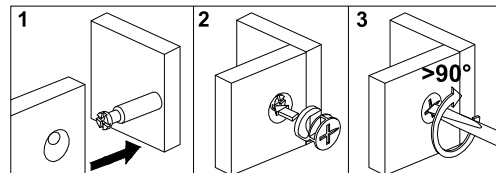


D x 4PCS

STEP 8

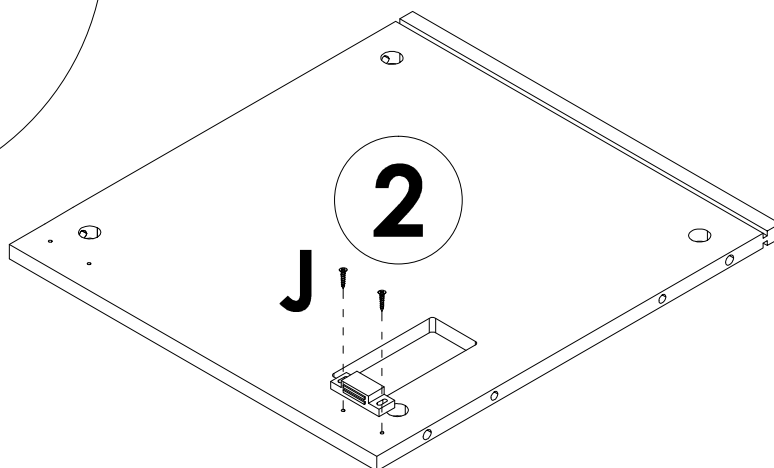
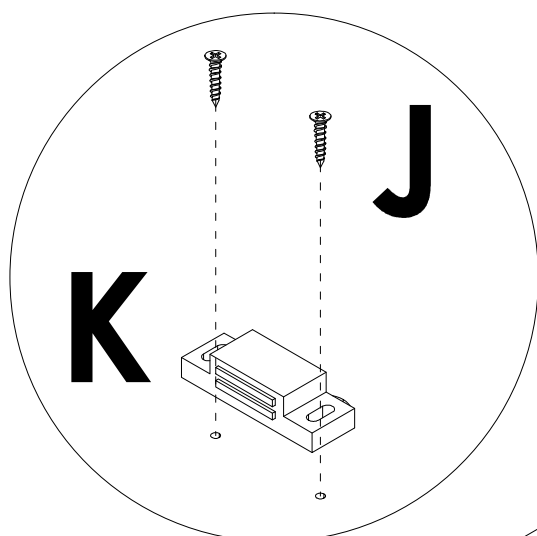


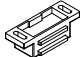

B x 6PCS



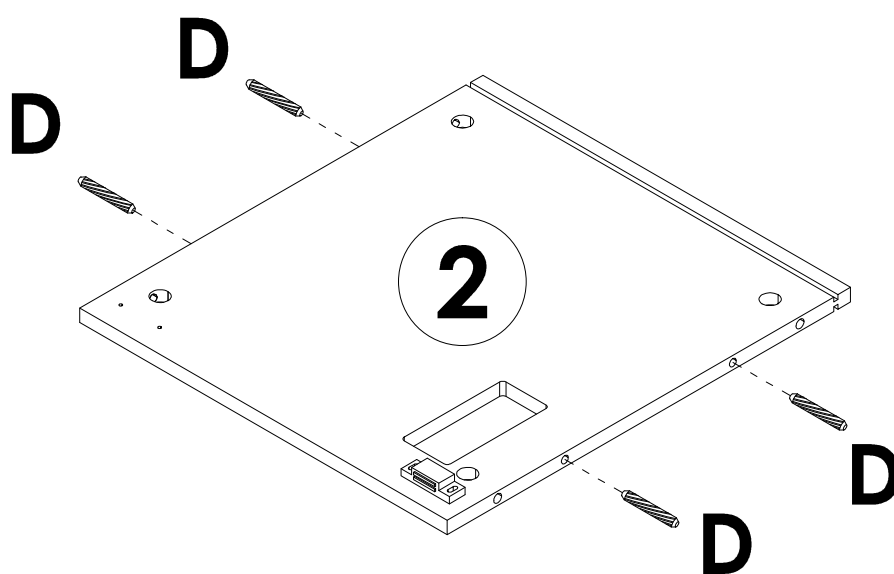
Assembly Steps(EN) / Montageschritte(DE)


STEP 9



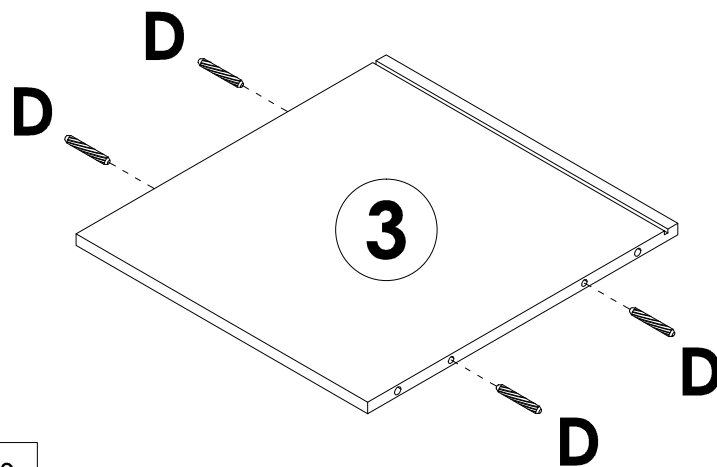
	K x 1PC
	J x 2PCS

STEP 10



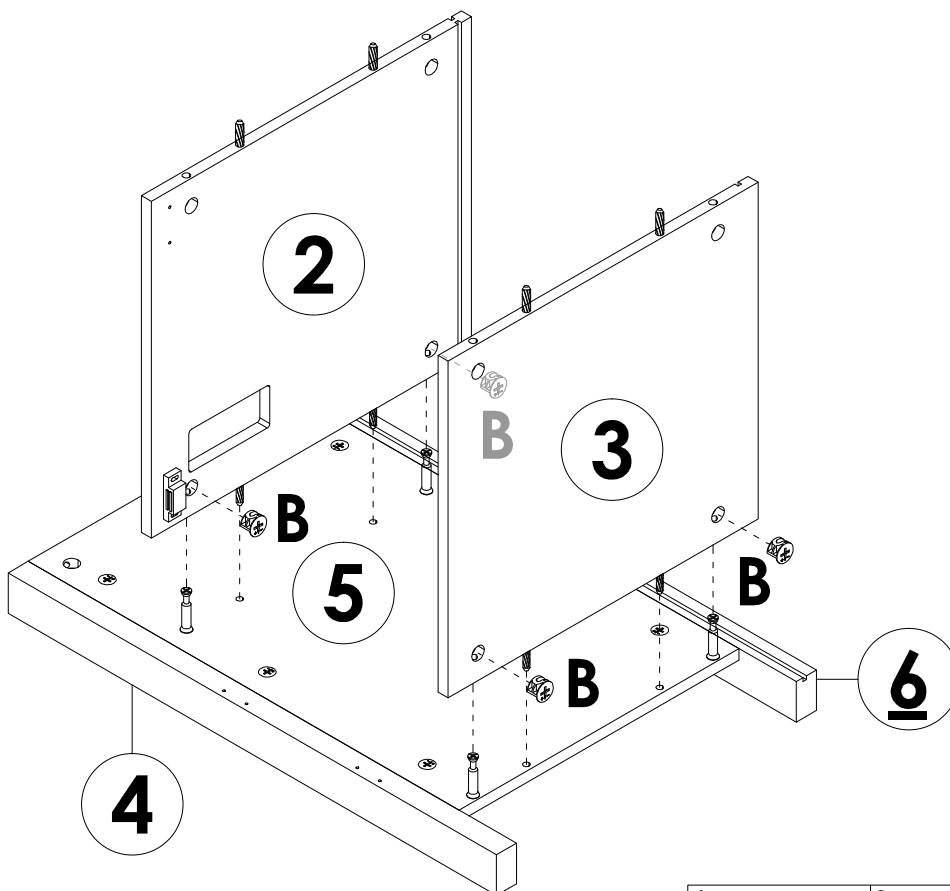
	D x 4PCS
---	----------

STEP 11

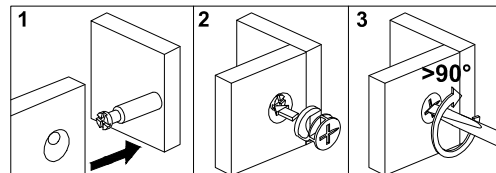


D x 4PCS

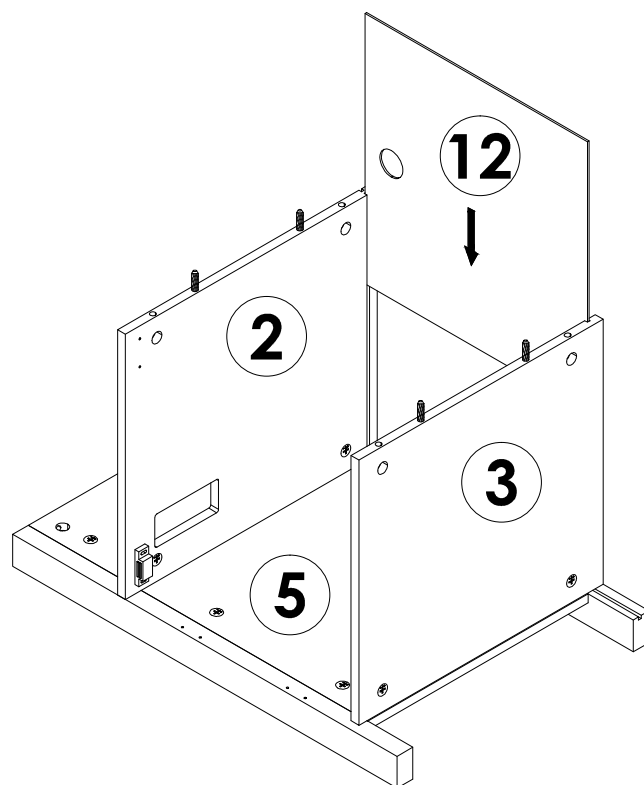
STEP 12



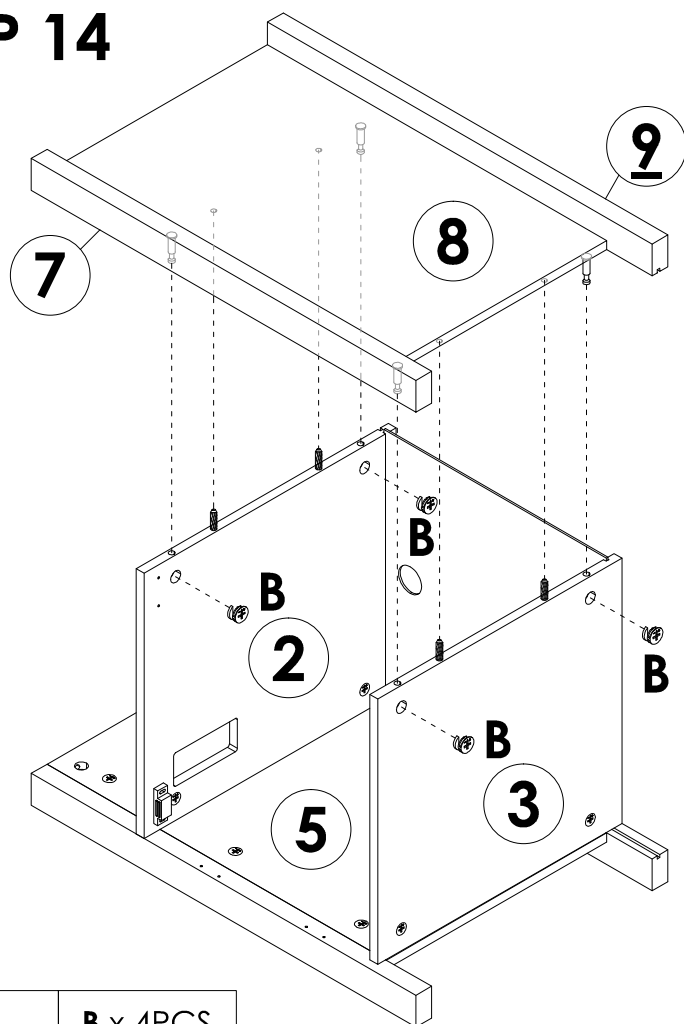
B x 4PCS



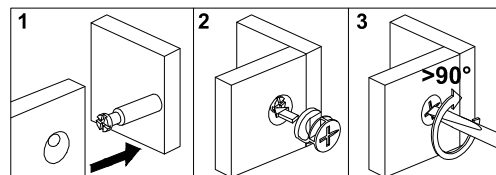
STEP 13



STEP 14

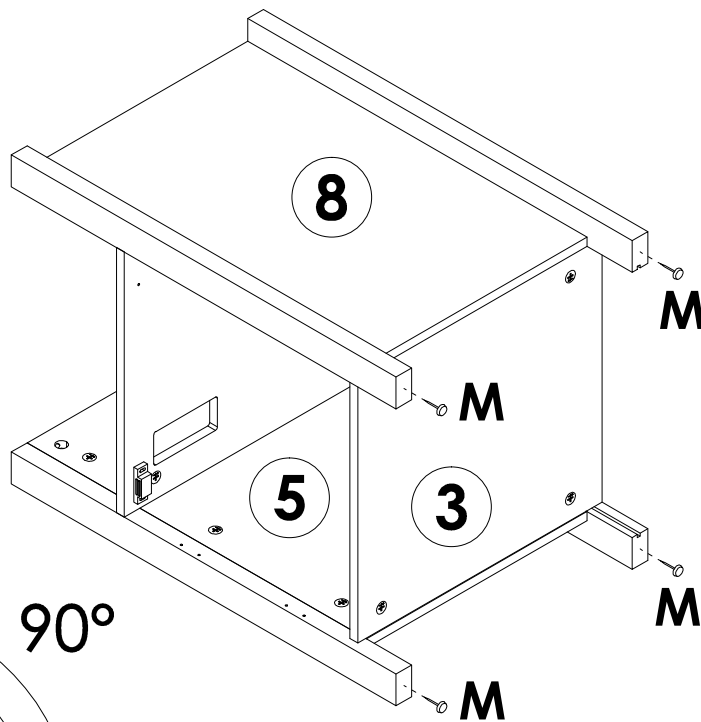
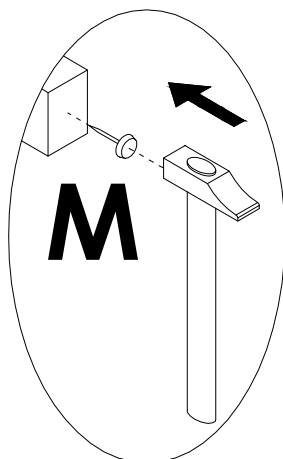


B x 4PCS



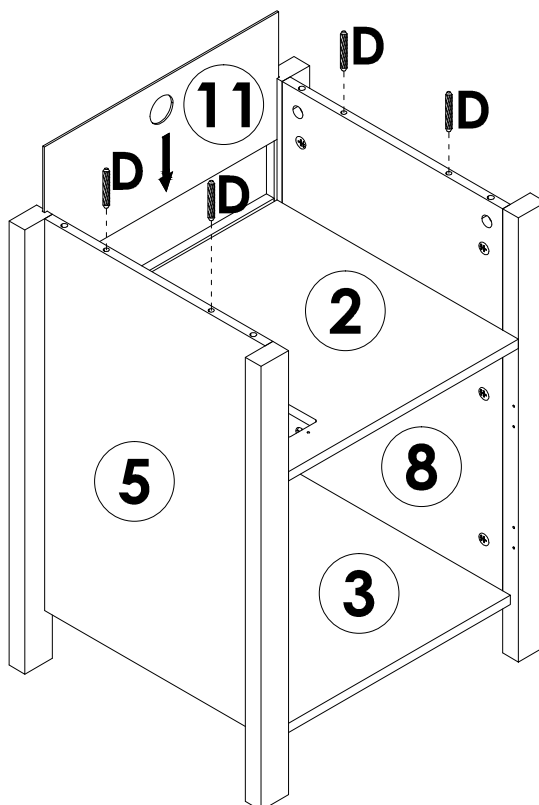
Assembly Steps(EN) / Montageschritte(DE)

STEP 15



M x 4PCS

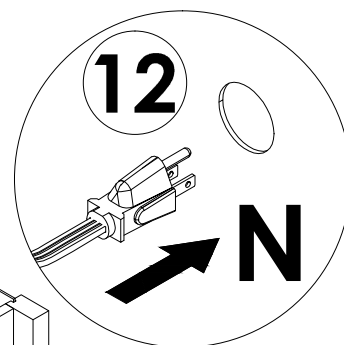
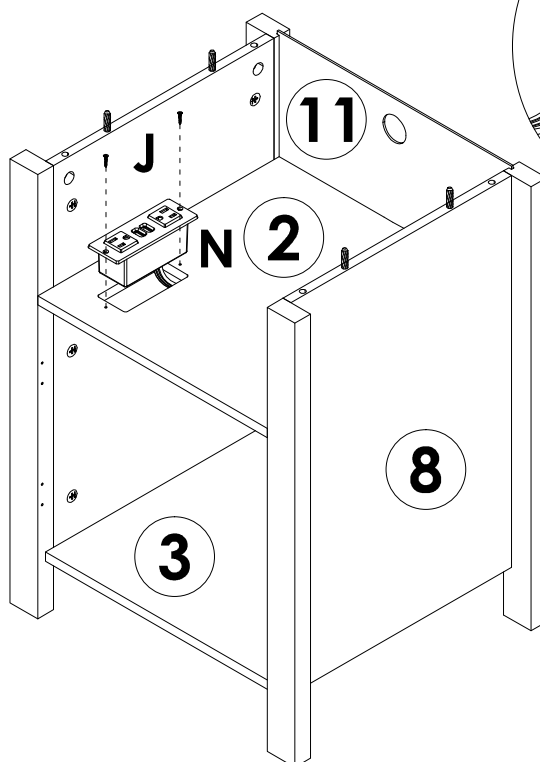
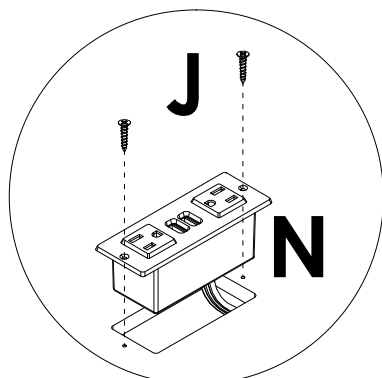
STEP 16

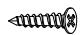



D x 4PCS

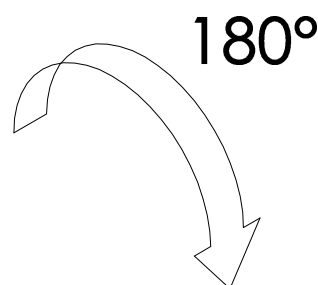
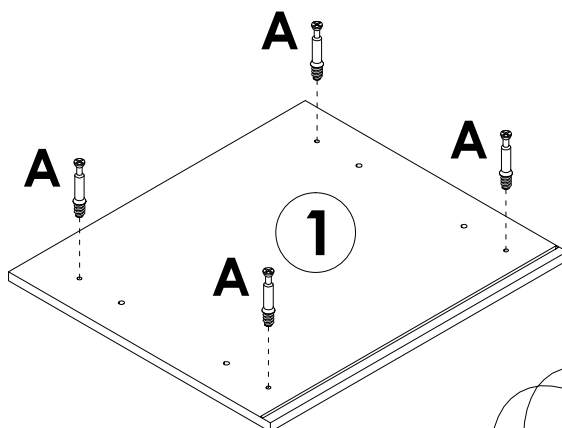
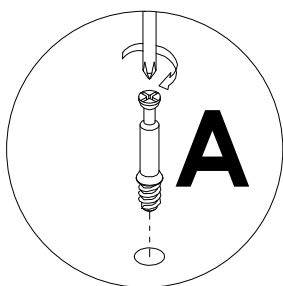
Assembly Steps(EN) / Montageschritte(DE)

STEP 17



	J x 2PCS
	N x 1PC

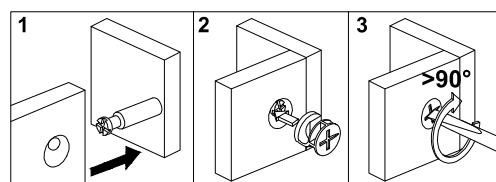
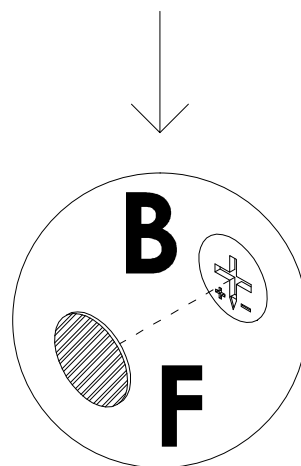
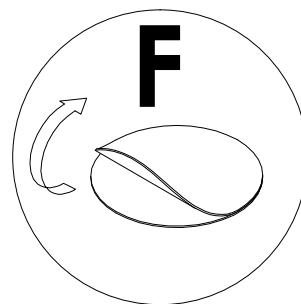
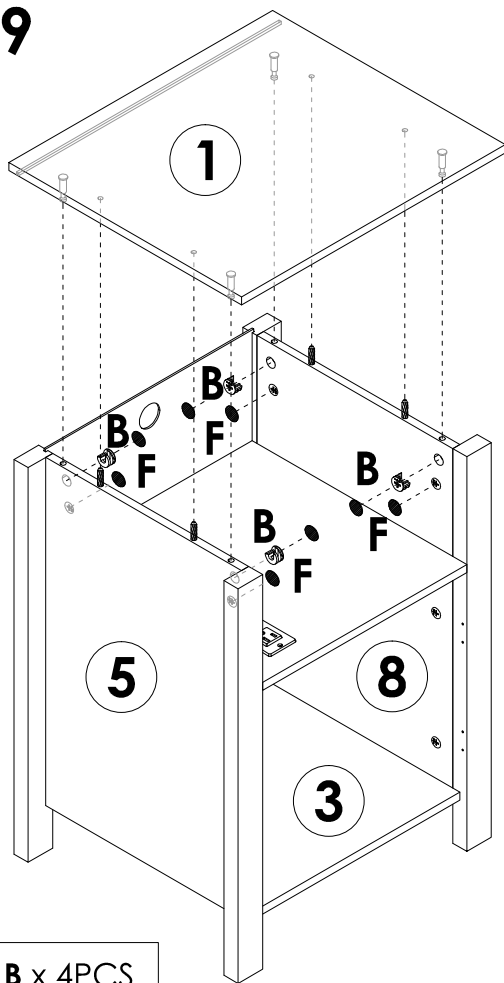
STEP 18





	A x 4PCS
---	----------

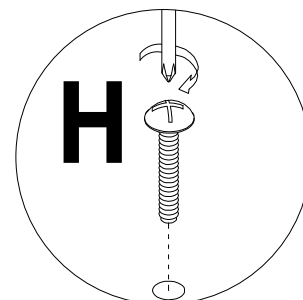
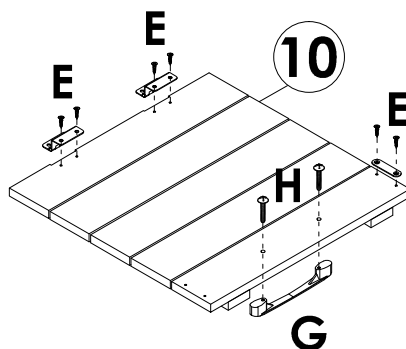
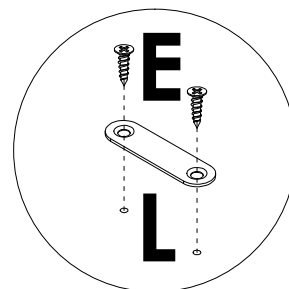
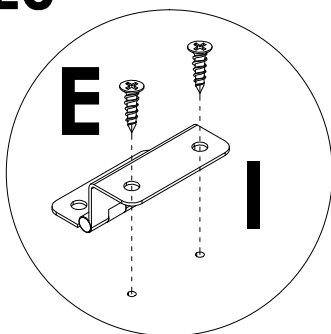
Assembly Steps(EN) / Montageschritte(DE)

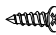


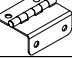

STEP 19



	B x 4PCS
	F x 8PCS

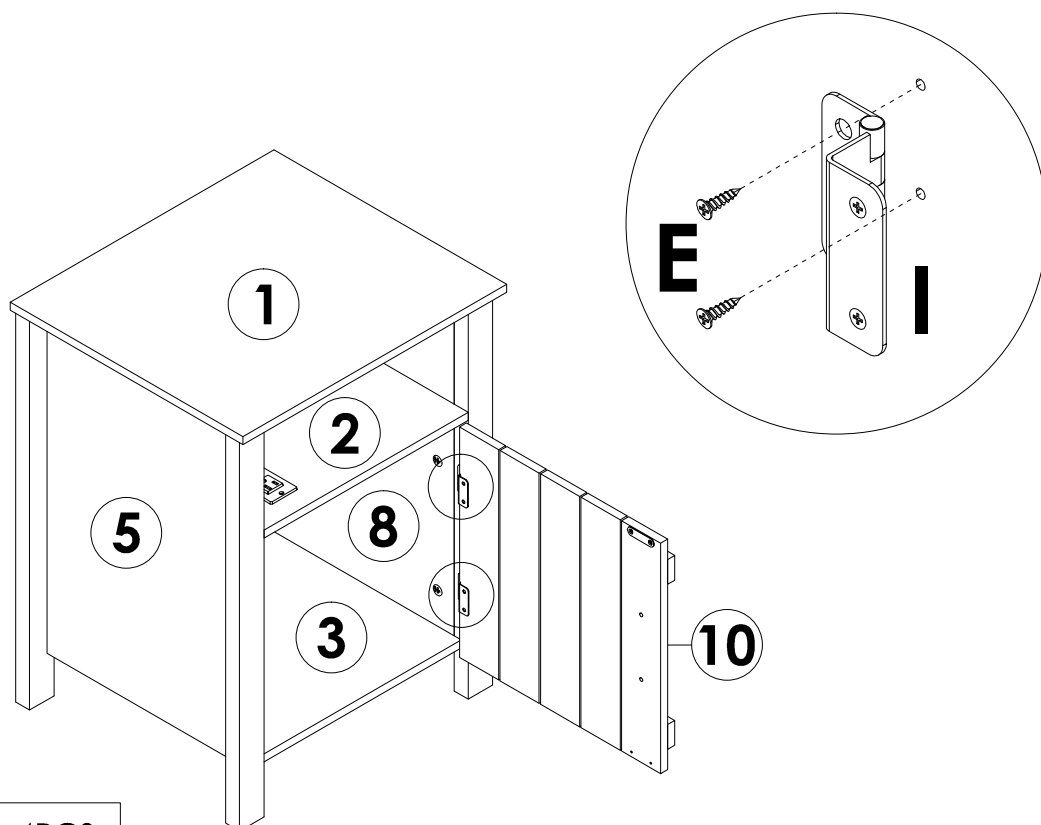
STEP 20




	E x 6PCS
	G x 1PC
	H x 2PCS
	I x 2PCS
	L x 1PC

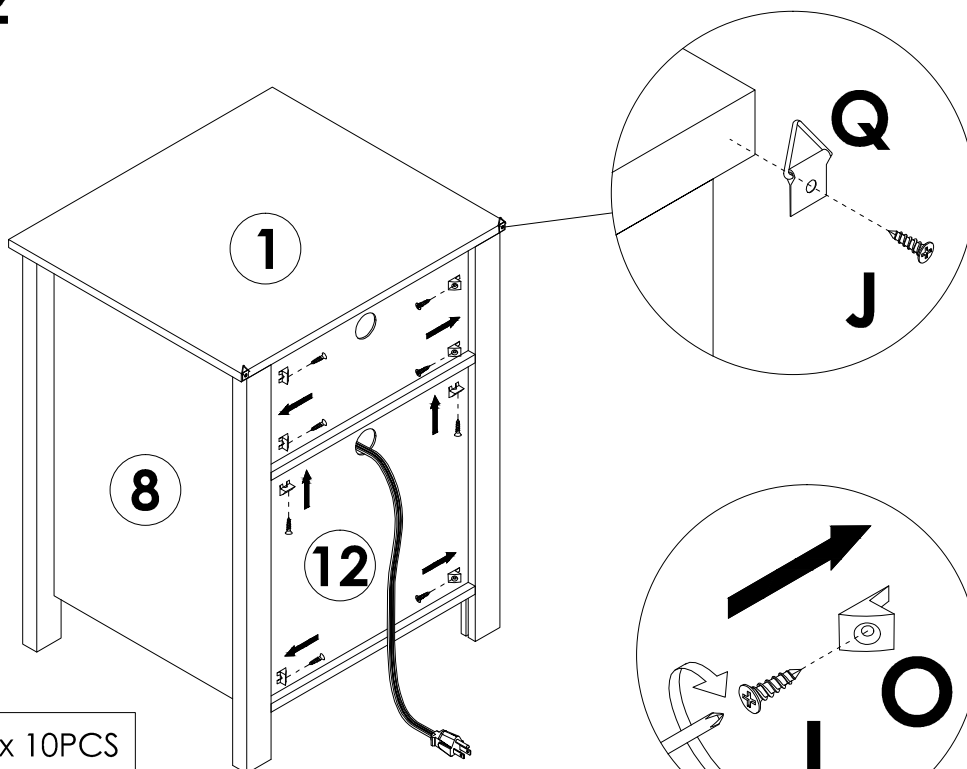
Assembly Steps(EN) / Montageschritte(DE)

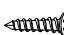


STEP 21



	E x 4PCS
---	----------

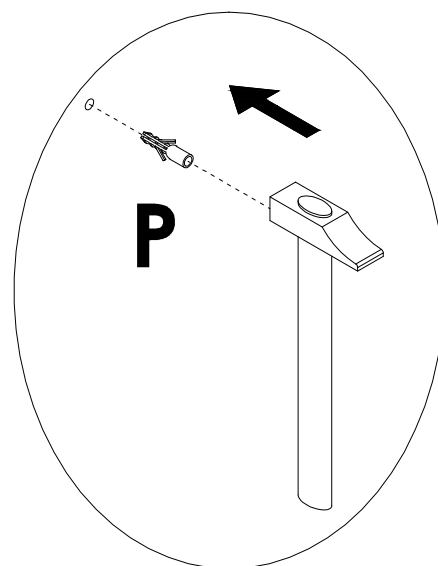
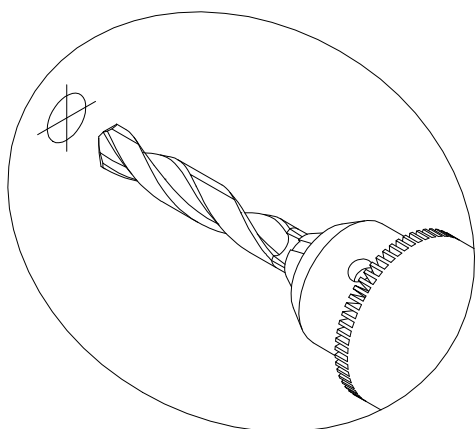
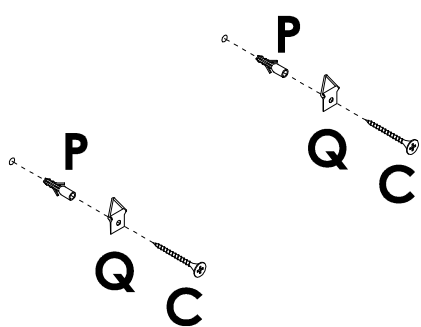
STEP 22



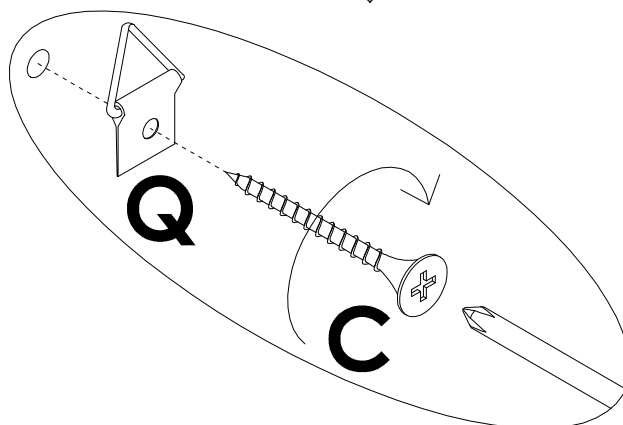
	J x 10PCS
	O x 8PCS
	Q x 2PCS

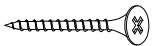


STEP 23

WALL



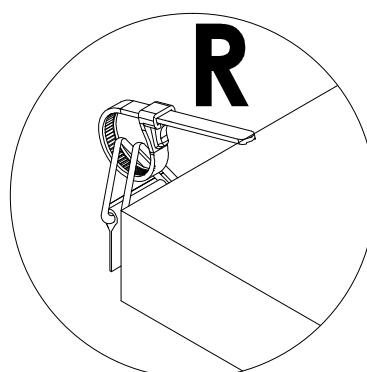
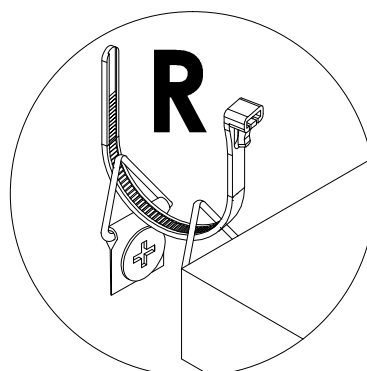
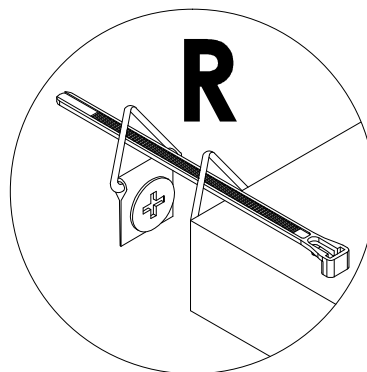
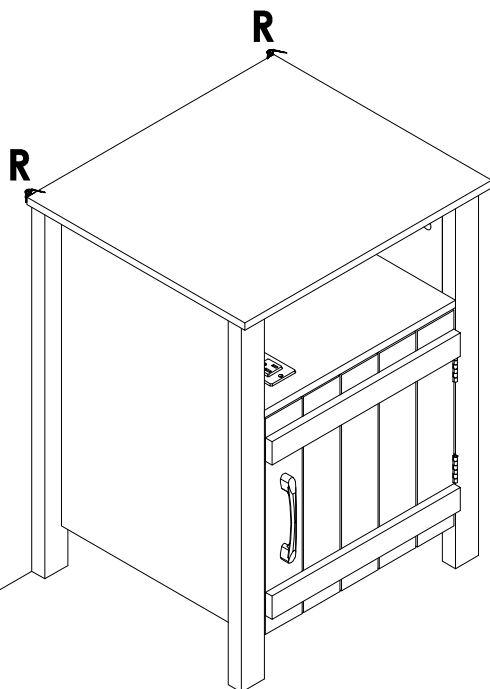
P



	C x 2PCS
	Q x 2PCS
	P x 2PCS

STEP 24

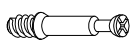
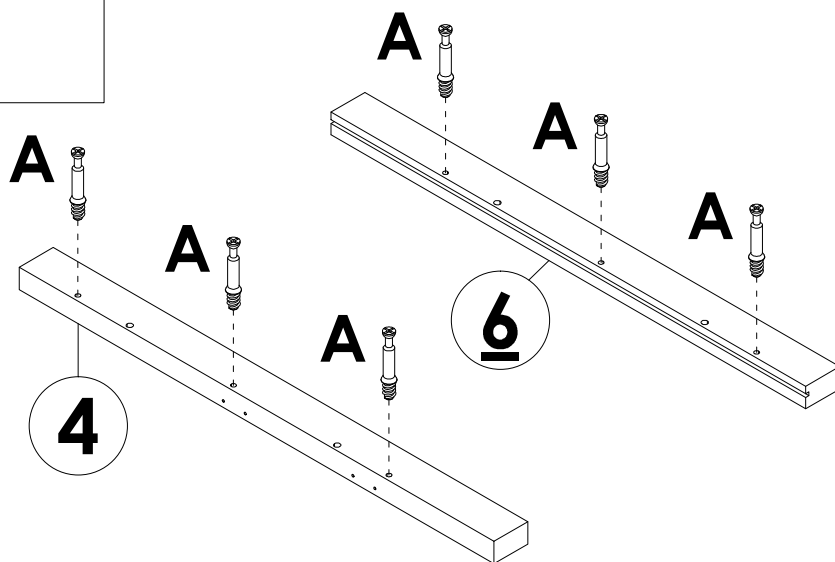
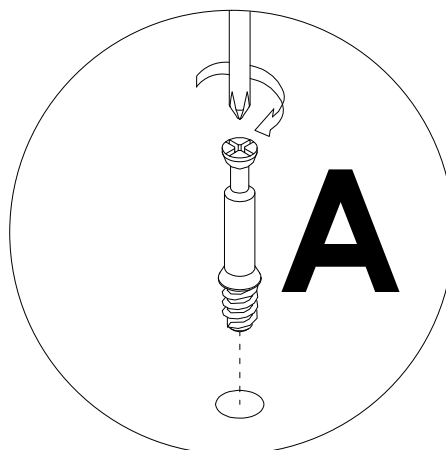
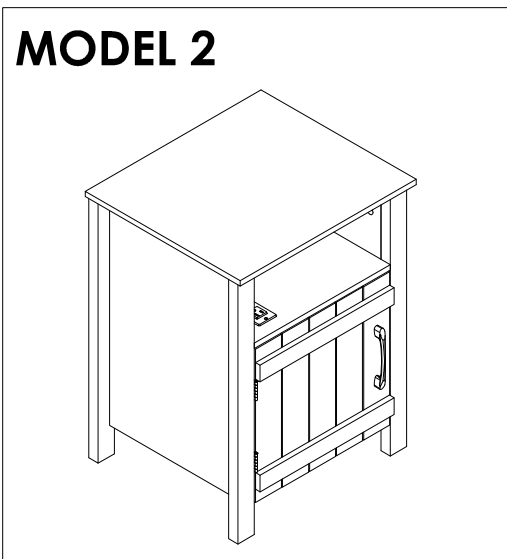
WALL



R x 2PCS

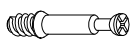
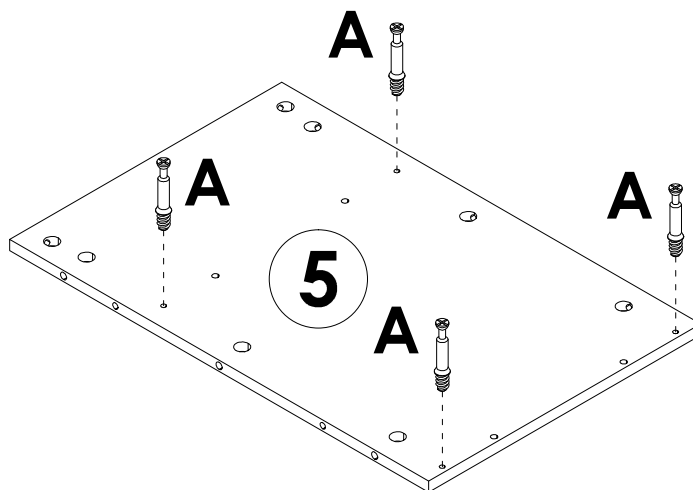
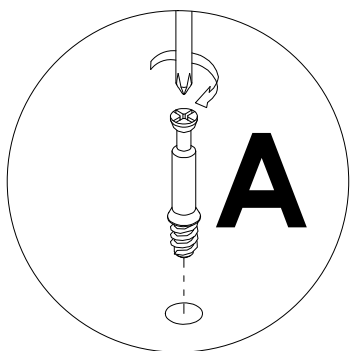
STEP 1

MODEL 2



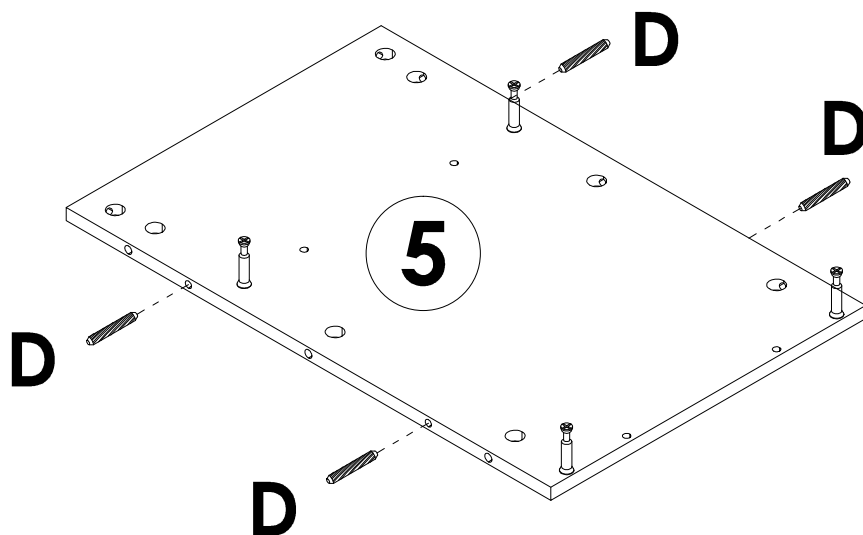
A x 6PCS

STEP 2



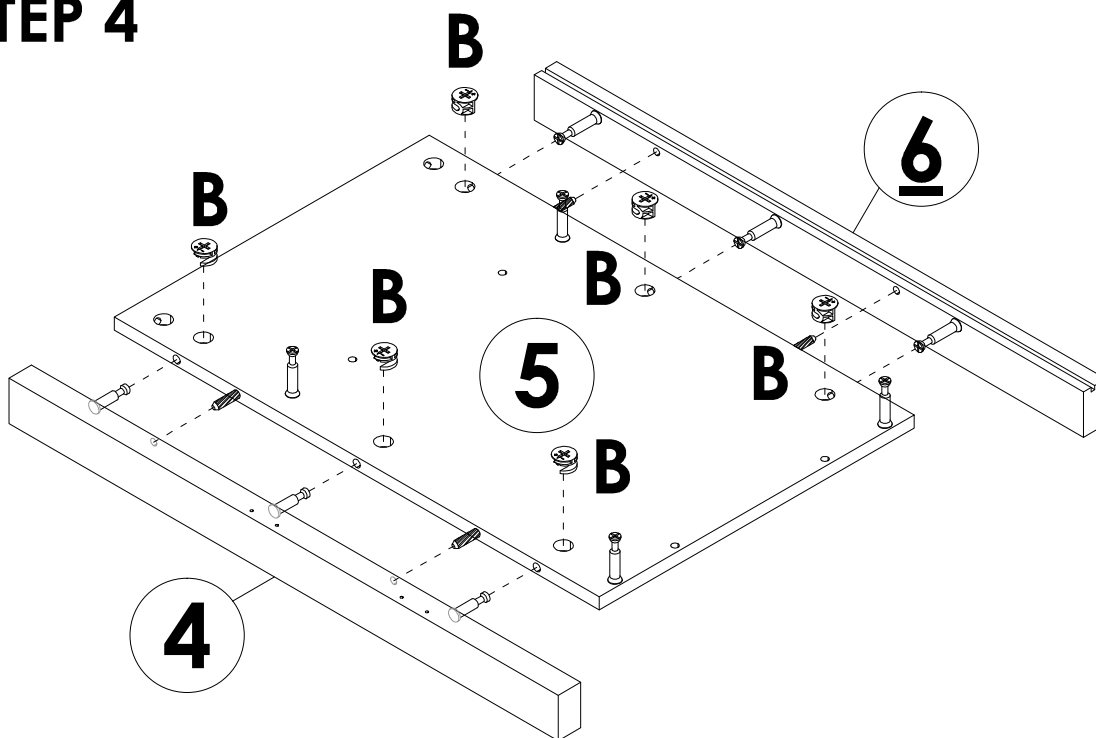
A x 4PCS


STEP 3

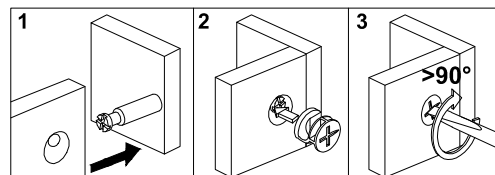


 **D x 4PCS**

STEP 4

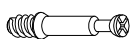
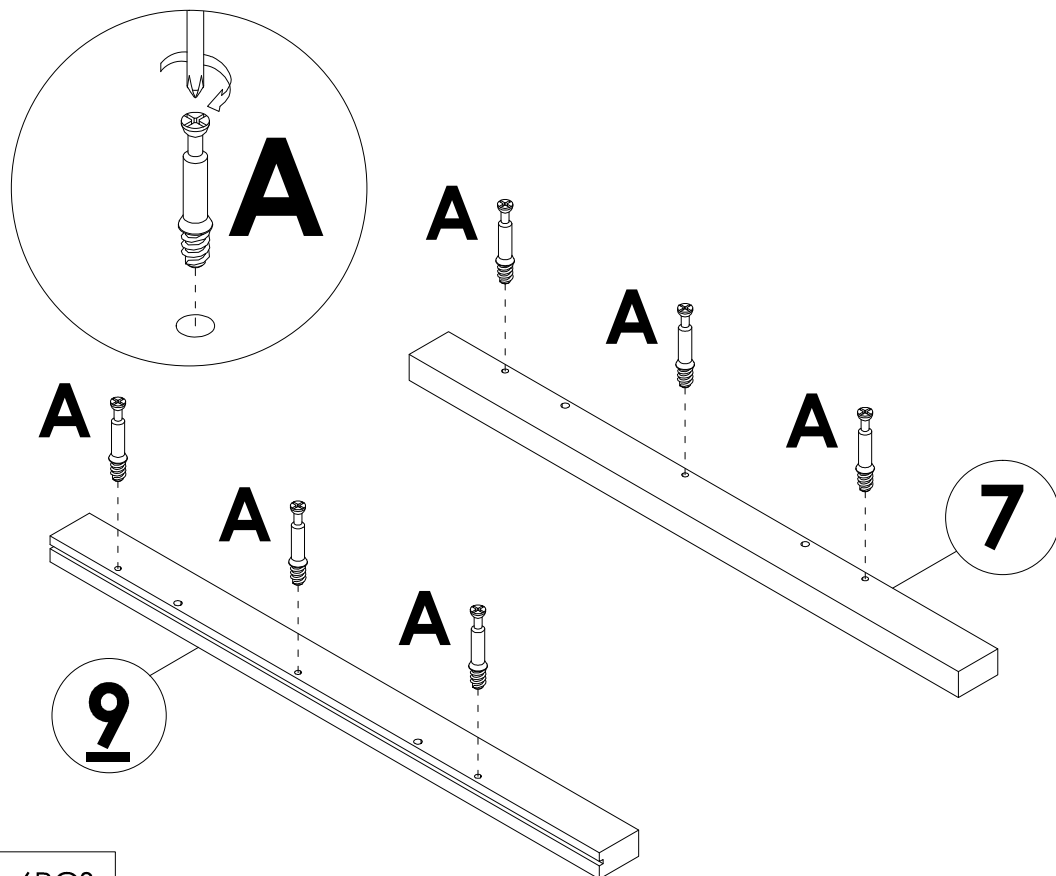


 **B x 6PCS**



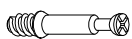
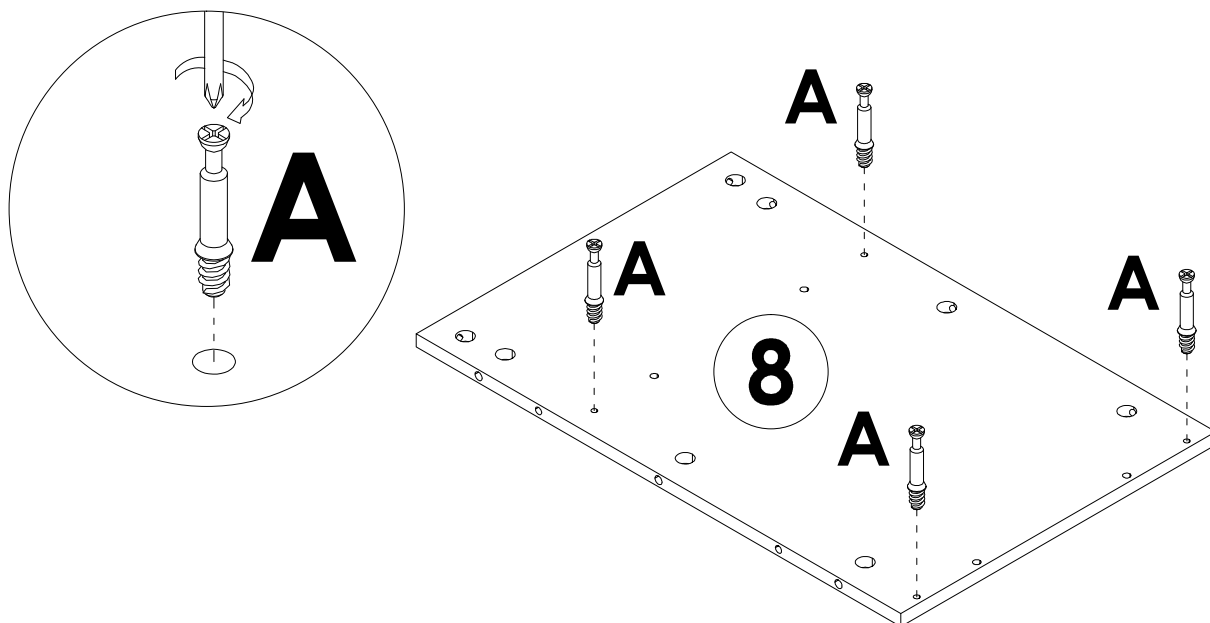
Assembly Steps(EN) / Montageschritte(DE)

STEP 5



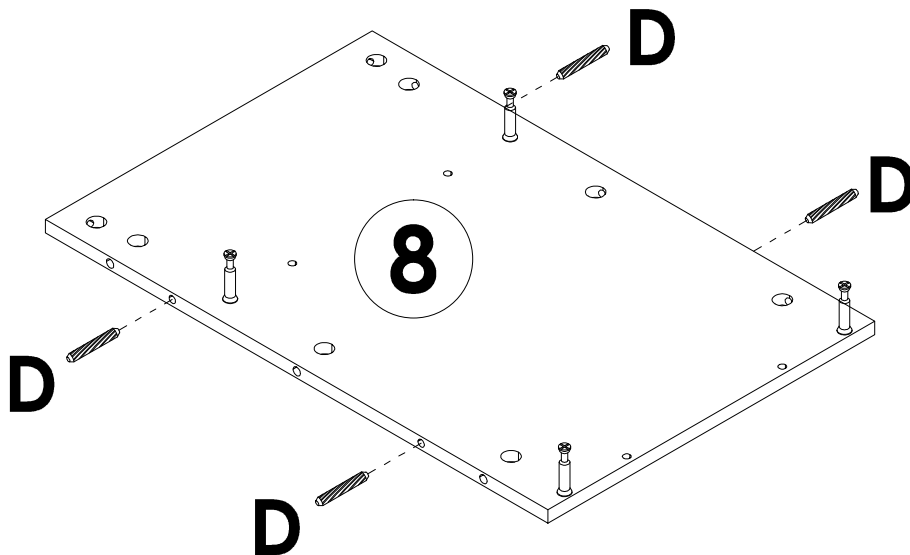
A x 6PCS


STEP 6



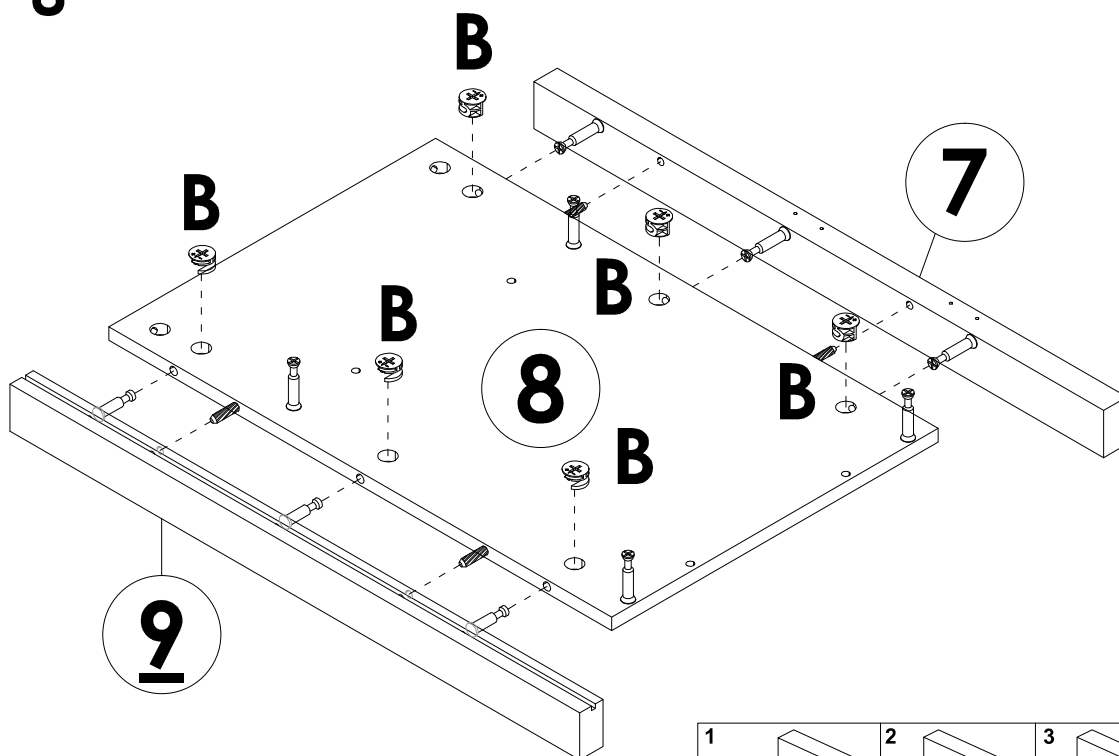
A x 4PCS


STEP 7

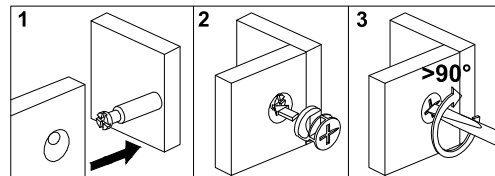


	D x 4PCS
---	----------

STEP 8

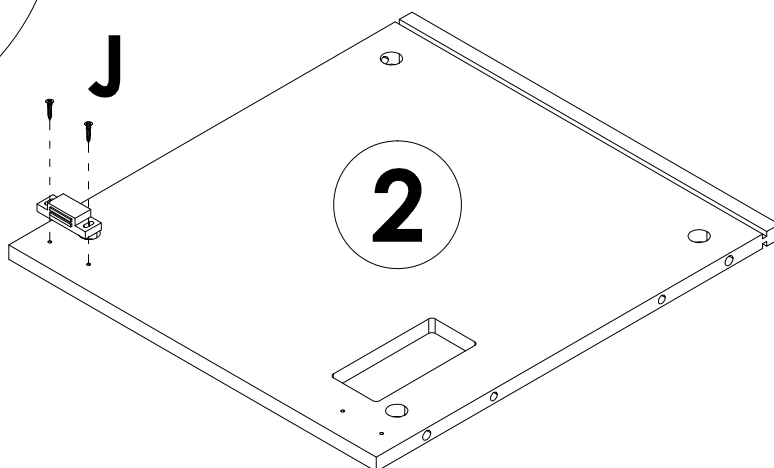
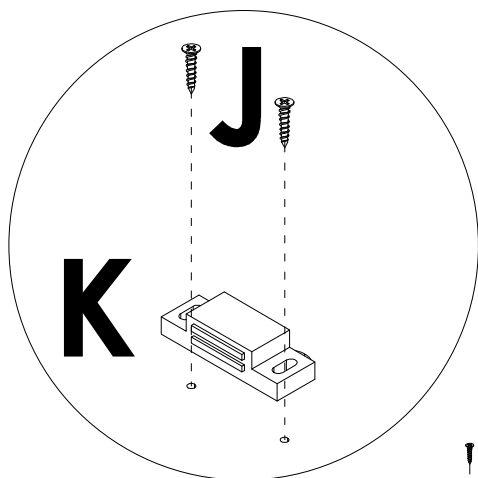


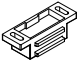
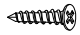
	B x 6PCS
---	----------



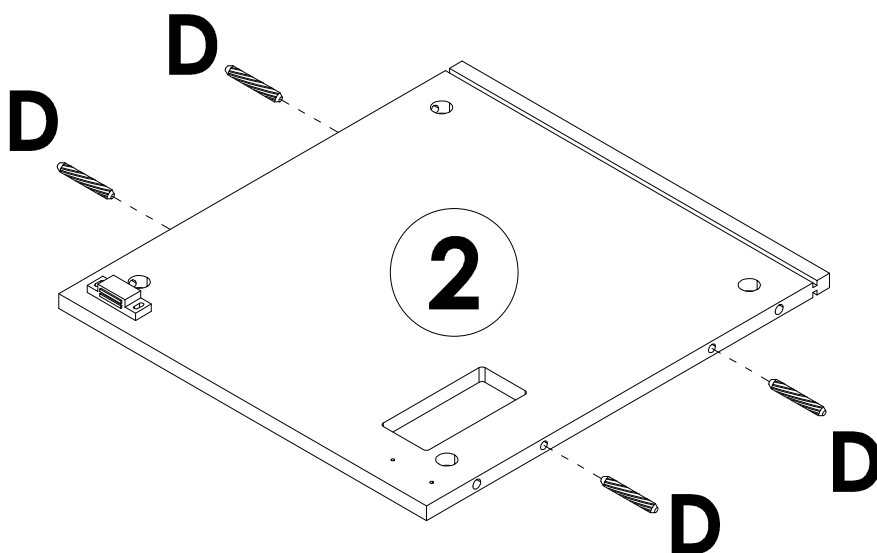
Assembly Steps(EN) / Montageschritte(DE)


STEP 9



	K x 1PC
	J x 2PCS

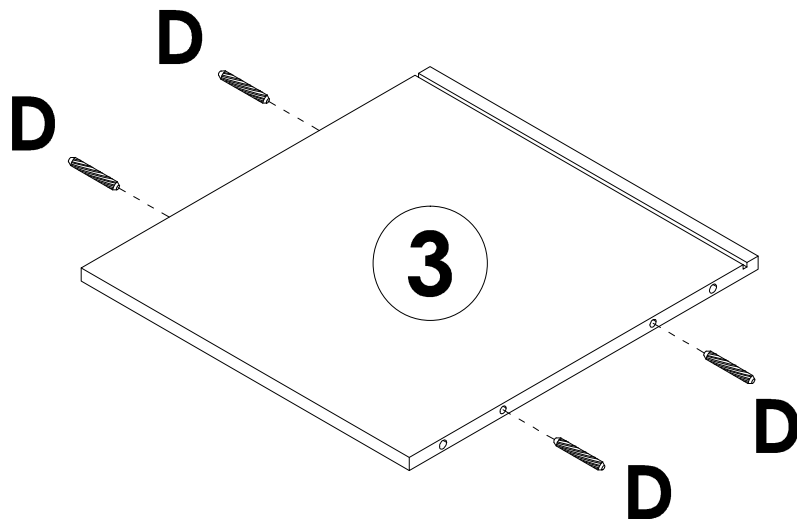
STEP 10



	D x 4PCS
---	----------

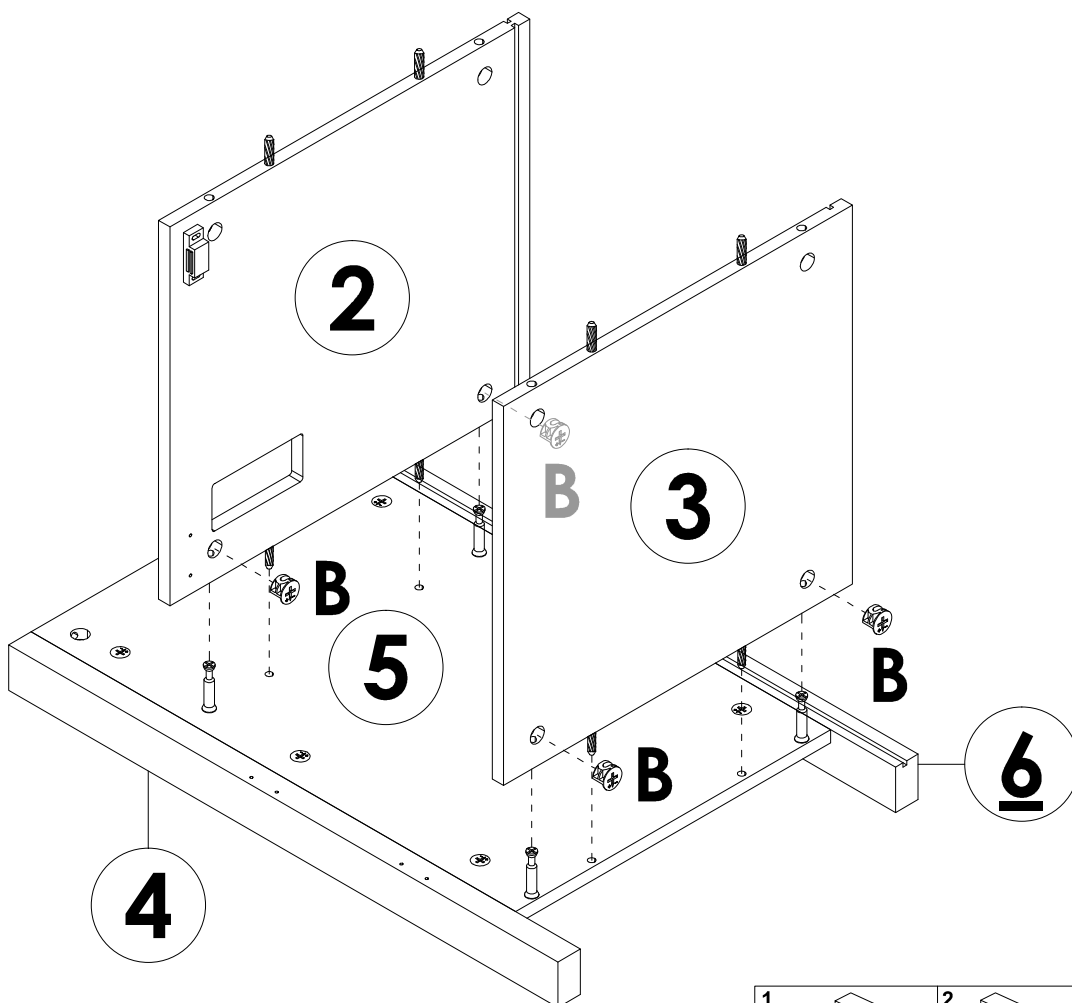
Assembly Steps(EN) / Montageschritte(DE)

STEP 11

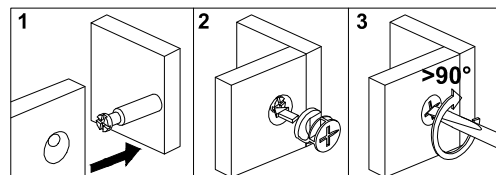


D x 4PCS

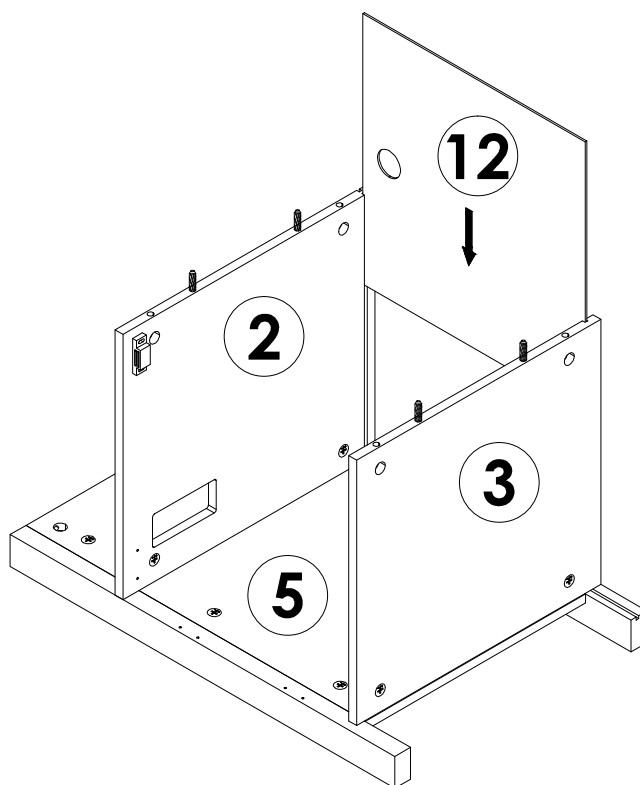
STEP 12



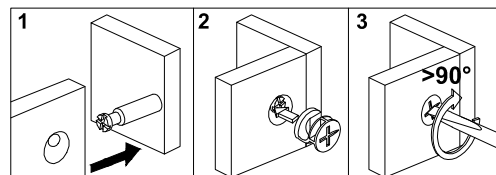
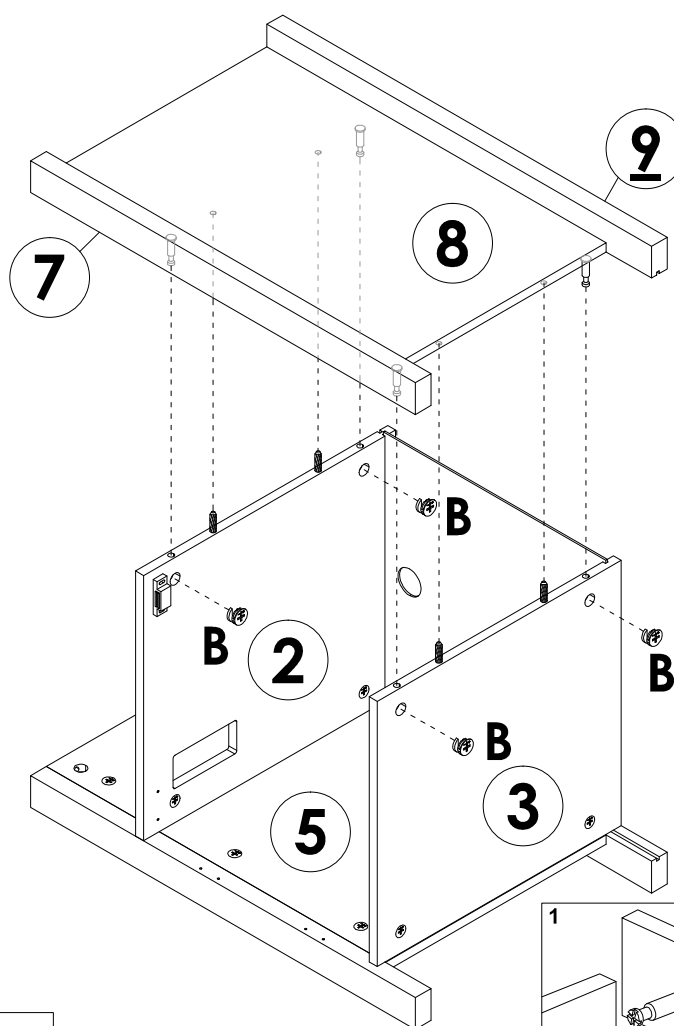
B x 4PCS



STEP 13



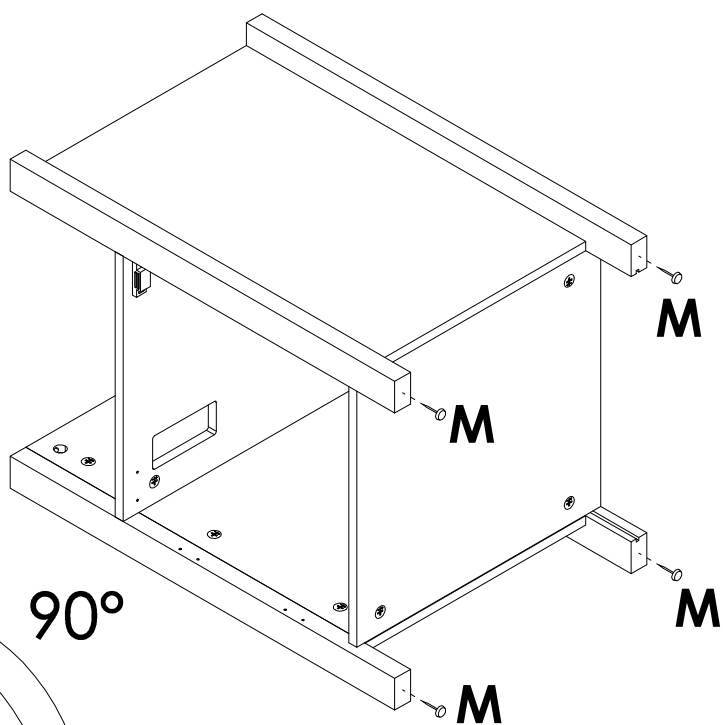
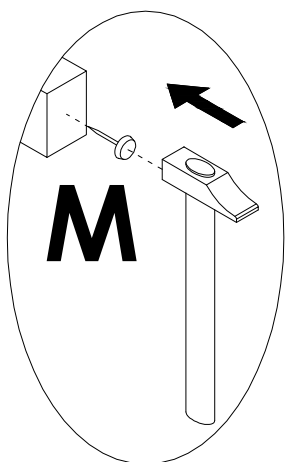
STEP 14



B x 4PCS

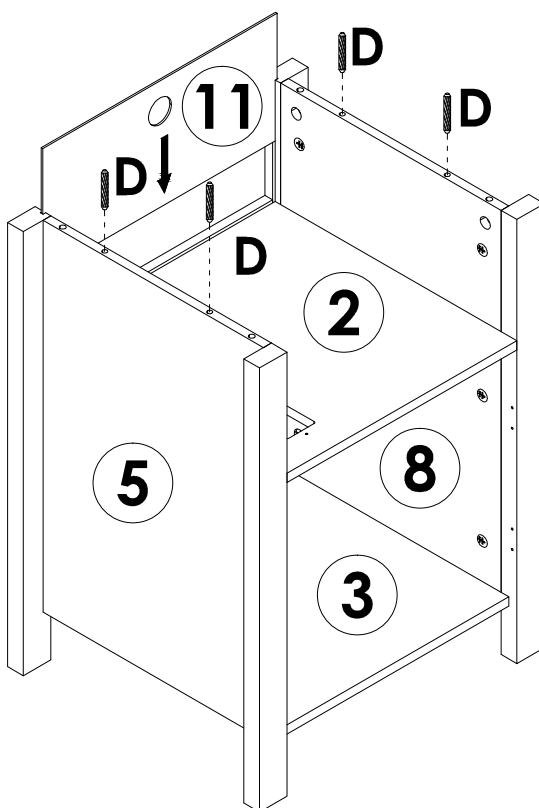
Assembly Steps(EN) / Montageschritte(DE)

STEP 15



M x 4PCS

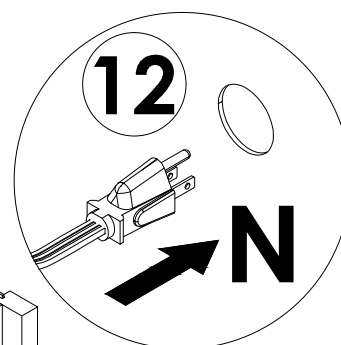
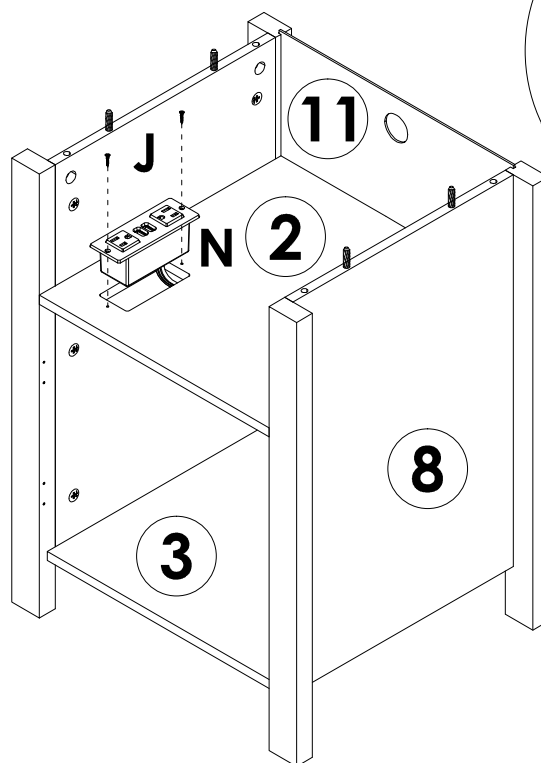
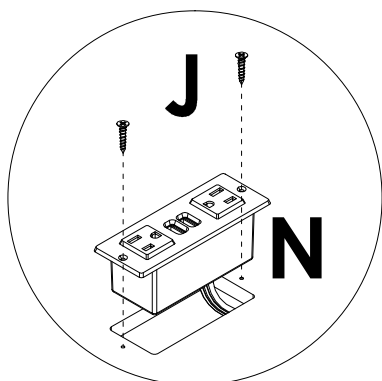
STEP 16

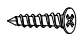



D x 4PCS

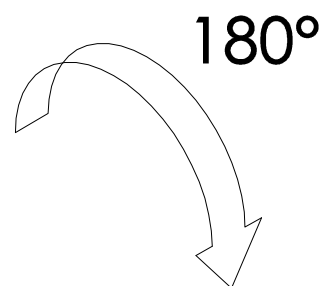
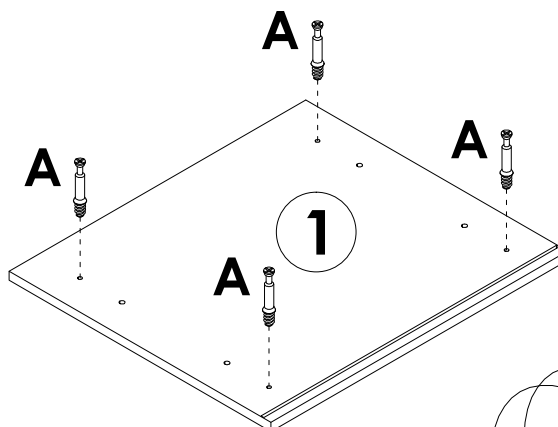
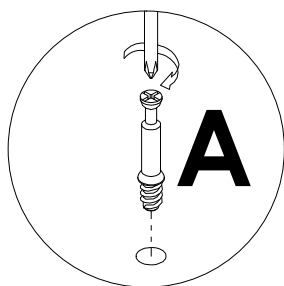
Assembly Steps(EN) / Montageschritte(DE)

STEP 17



	J x 2PCS
	N x 1PC

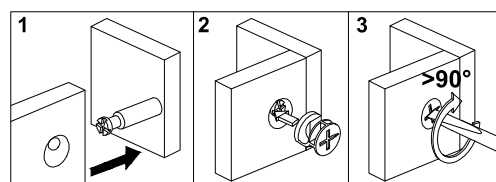
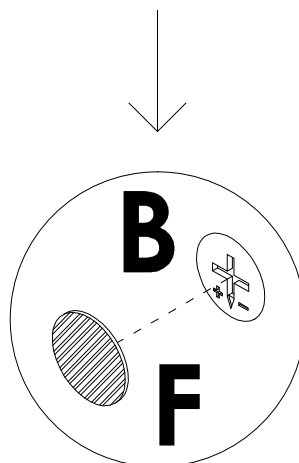
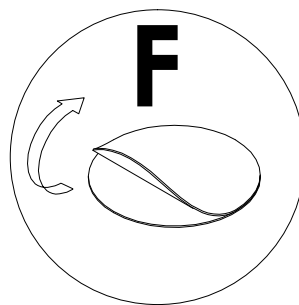
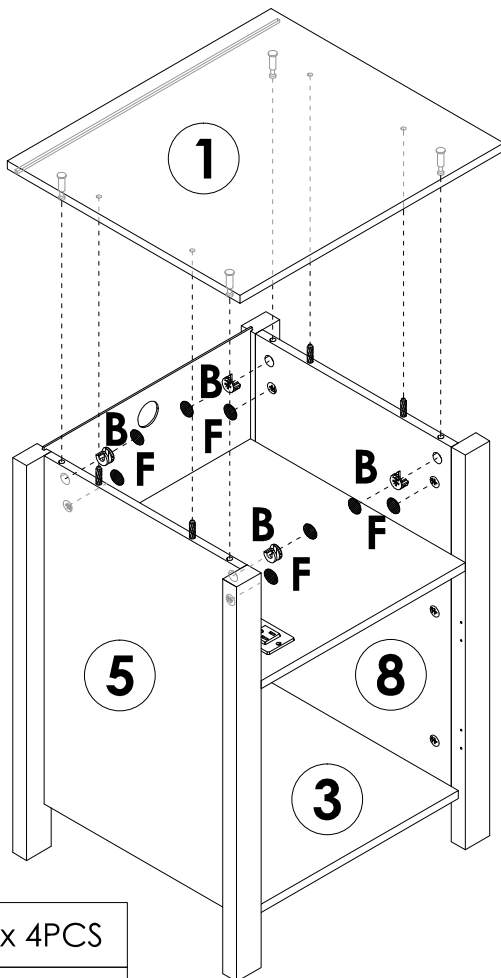
STEP 18





	A x 4PCS
---	----------

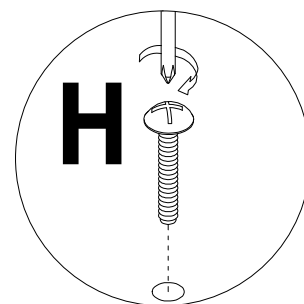
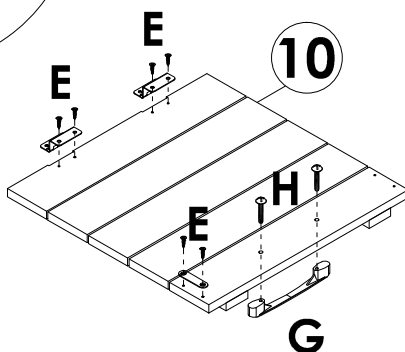
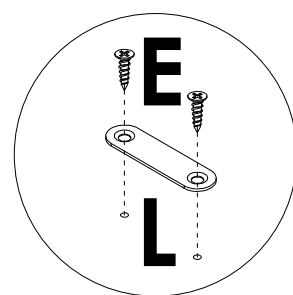
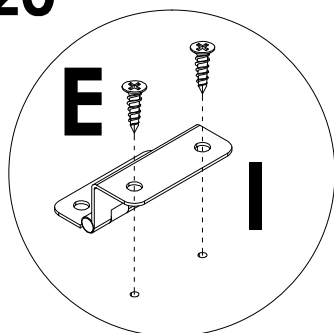
Assembly Steps(EN) / Montageschritte(DE)

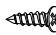


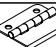

STEP 19



	B x 4PCS
	F x 8PCS

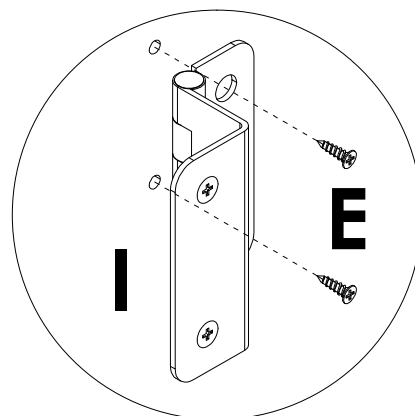
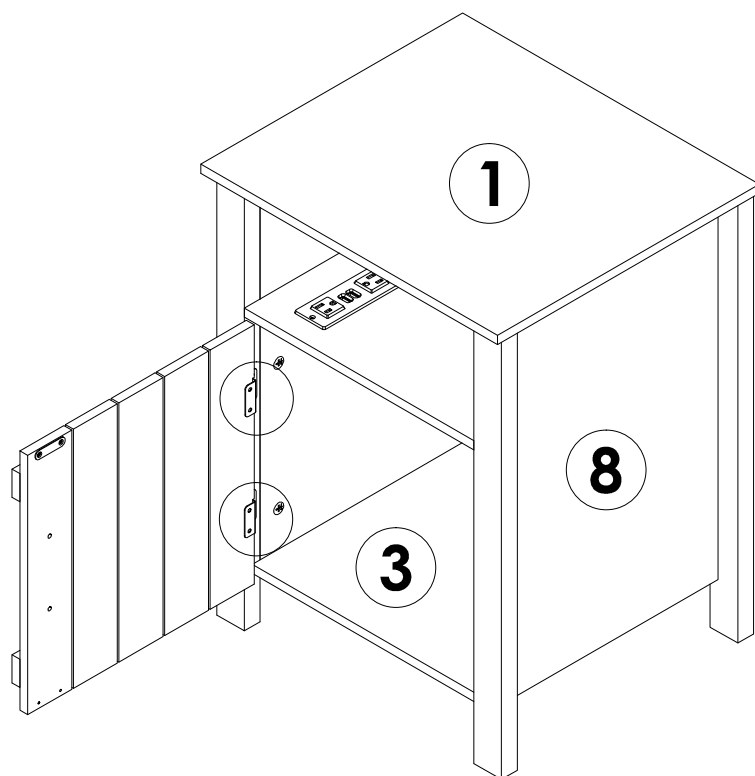
STEP 20



	E x 6PCS
	G x 1PC
	H x 2PCS
	I x 2PCS
	L x 1PC

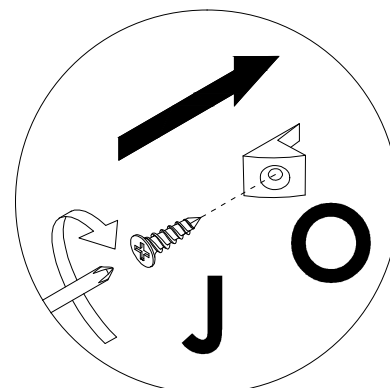
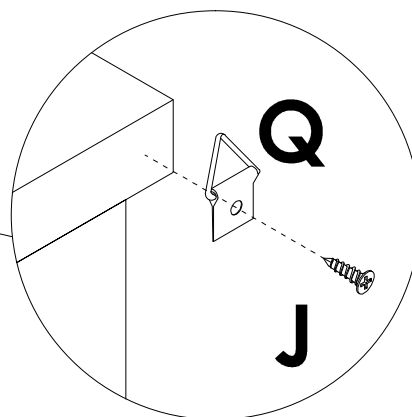
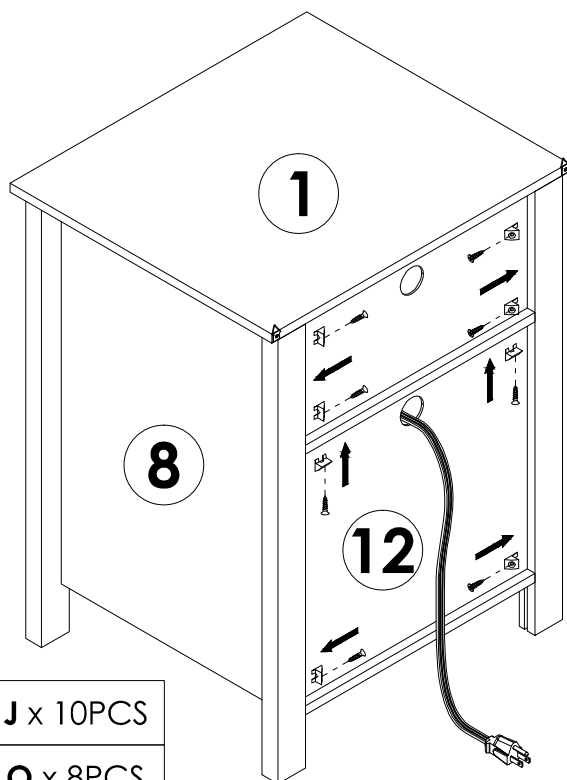
Assembly Steps(EN) / Montageschritte(DE)

STEP 21



E x 4PCS

STEP 22



J x 10PCS



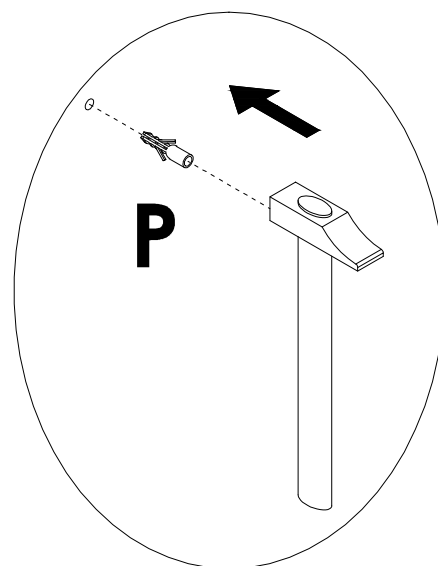
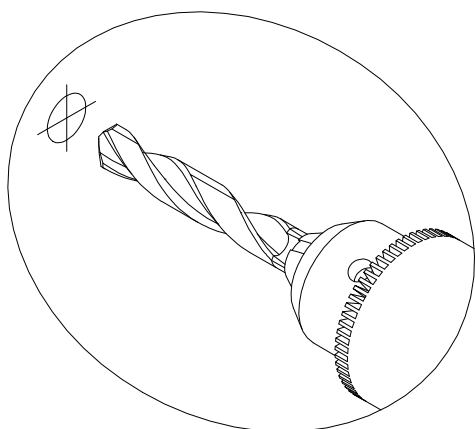
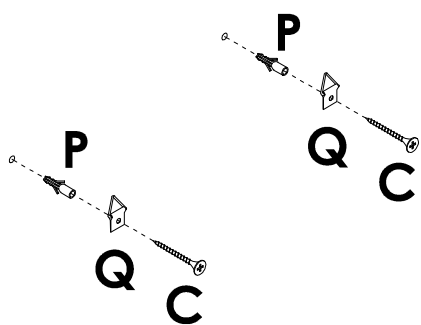
O x 8PCS



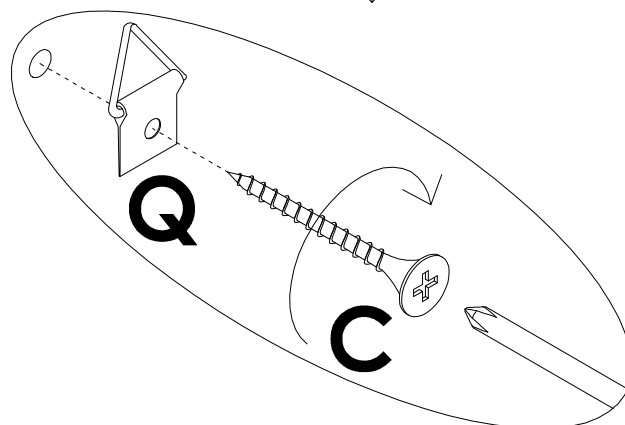
Q x 2PCS

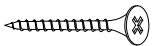


STEP 23

WALL



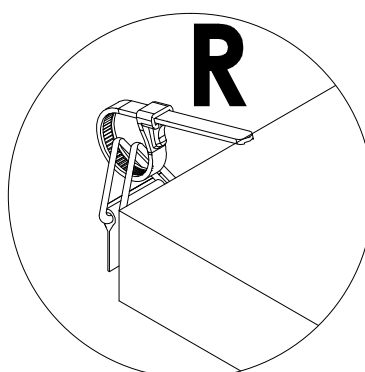
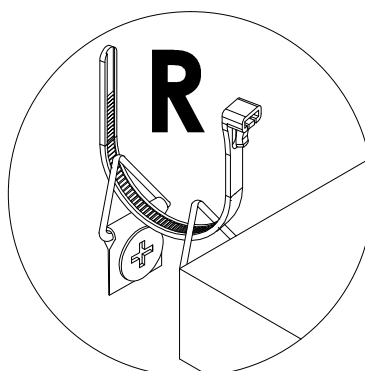
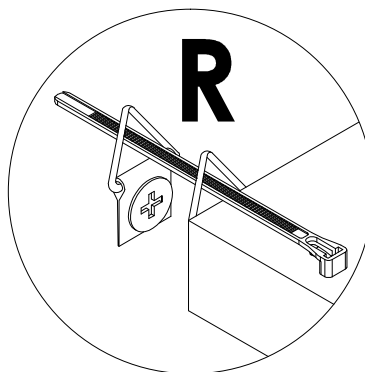
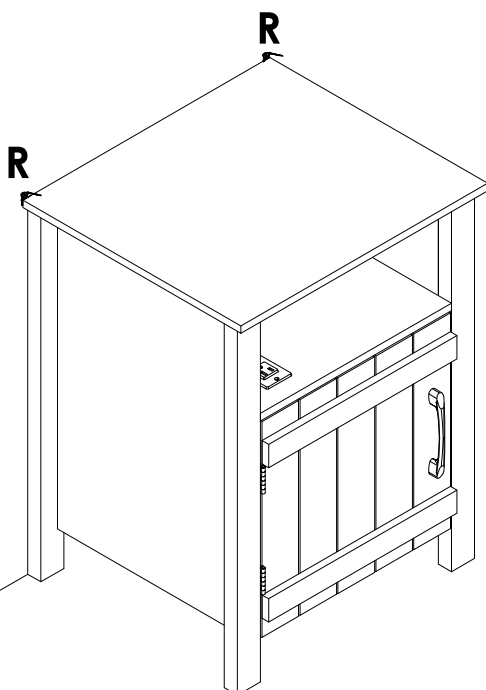
P



	C x 2PCS
	Q x 2PCS
	P x 2PCS

STEP 24

WALL



R x 2PCS