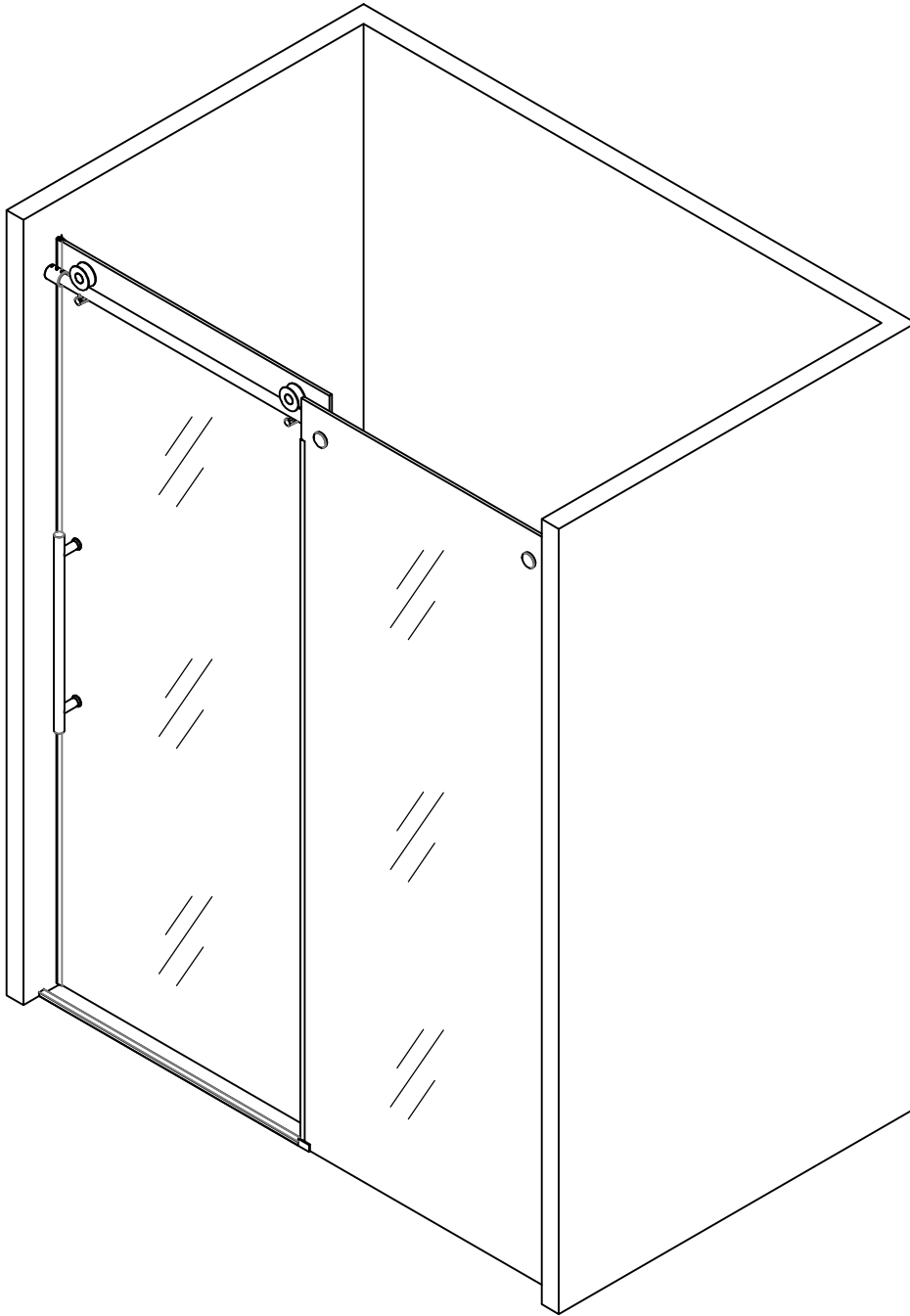
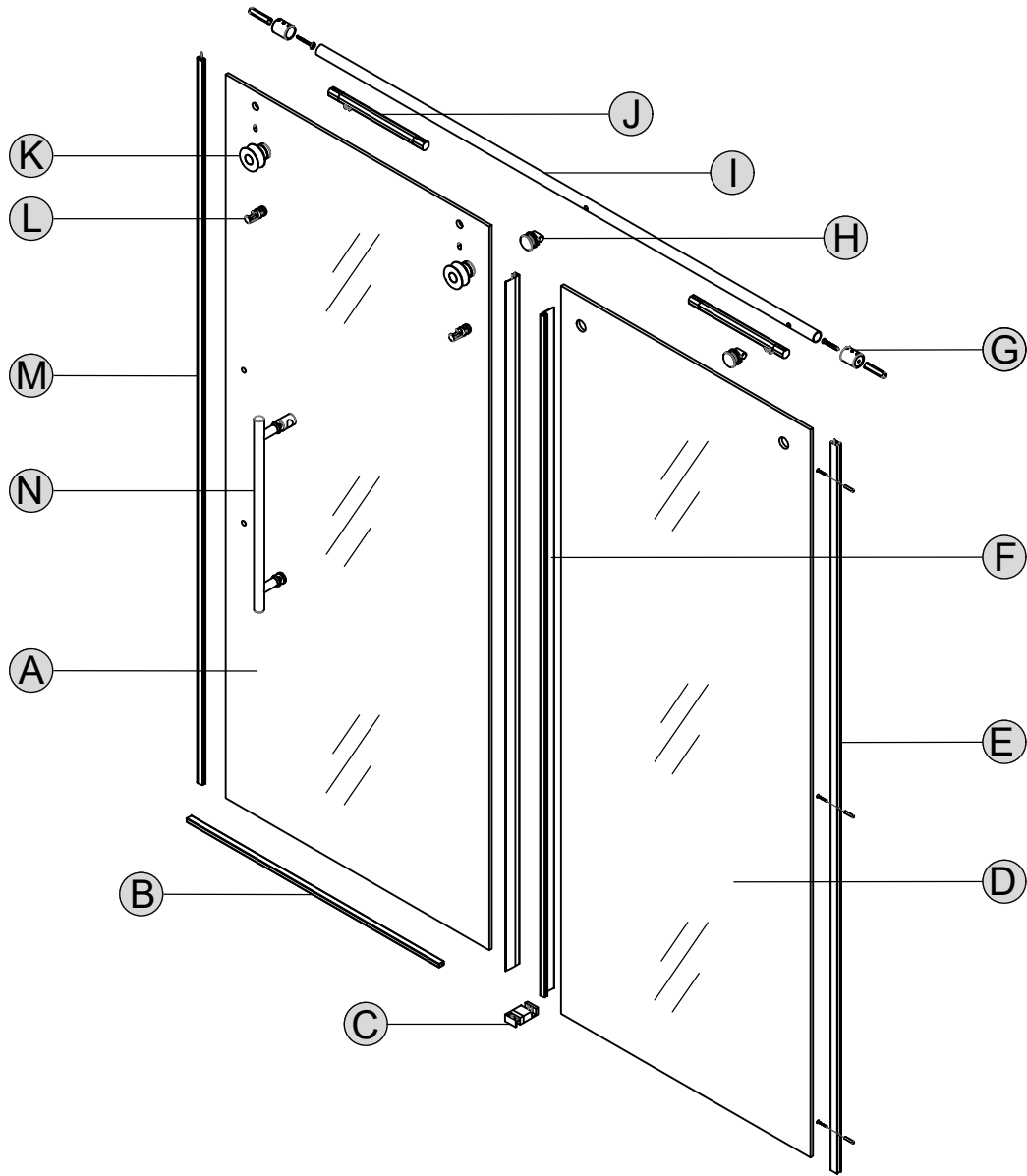


Shower Door Installation Instructions



Recommended Width for Installation:
60-inch enclosure:
56 - 60 inches (152.4 - 142.3 cm)

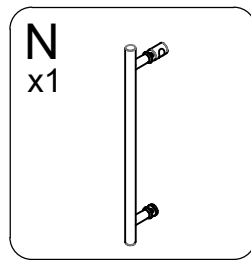
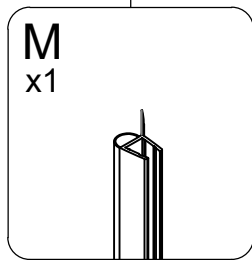
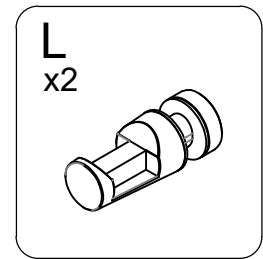
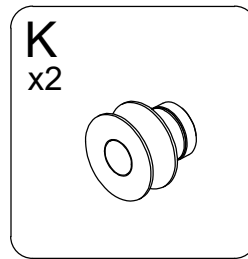
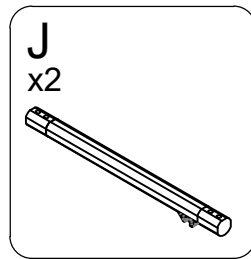
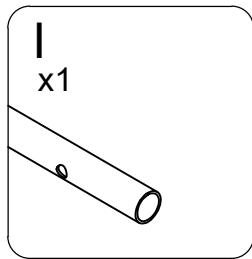
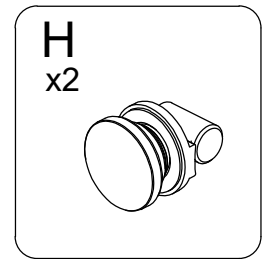
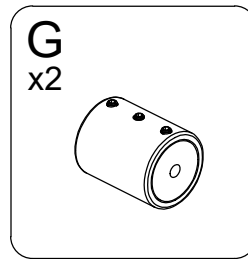
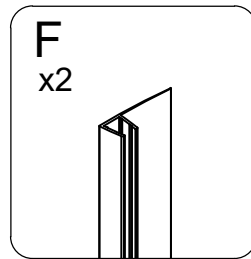
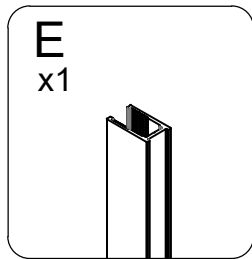
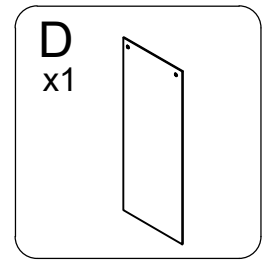
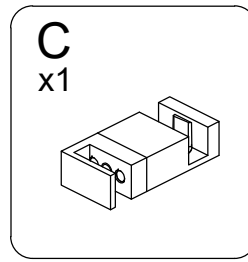
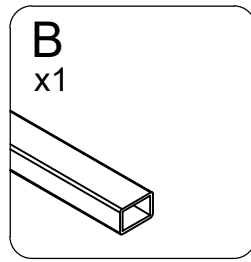
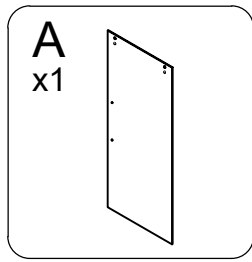
PACKAGE CONTENT



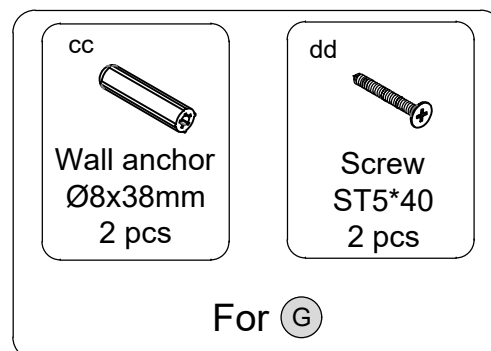
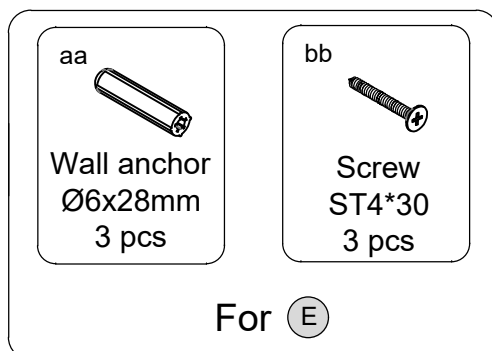
PACKAGE CONTENT

PART#	DESCRIPTION	QTY	PART#	DESCRIPTION	QTY
A	Door Glass	1	H	Glass Brackets	2
B	Anti-Splash Guard	1	I	Upper Guide Rail	1
C	Guide Block	1	J	Anti-Fluctuator	2
D	Stationary Glass	1	K	Rollers	2
E	Wall Jamb	1	L	Roller Guards	2
F	Anti-Water Strips	2	M	Bumper Strip	1
G	Guide Rail Brackets	2	N	Handle	1

PACKAGE CONTENT



HARDWARE CONTENT



TOOLS REQUIRED

Drill Bits



6/8mm dia.
HSS

Screw Driver



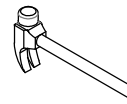
Drill



Level



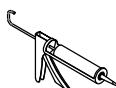
Mallet



Pencil



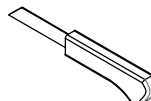
Silicone



Measuring Tape



Knife



Sealant



MASONRY DRILL
BIT Ø6mm



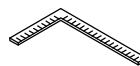
Goggles



Glove



Right angle Ruler



SAFETY INFORMATION

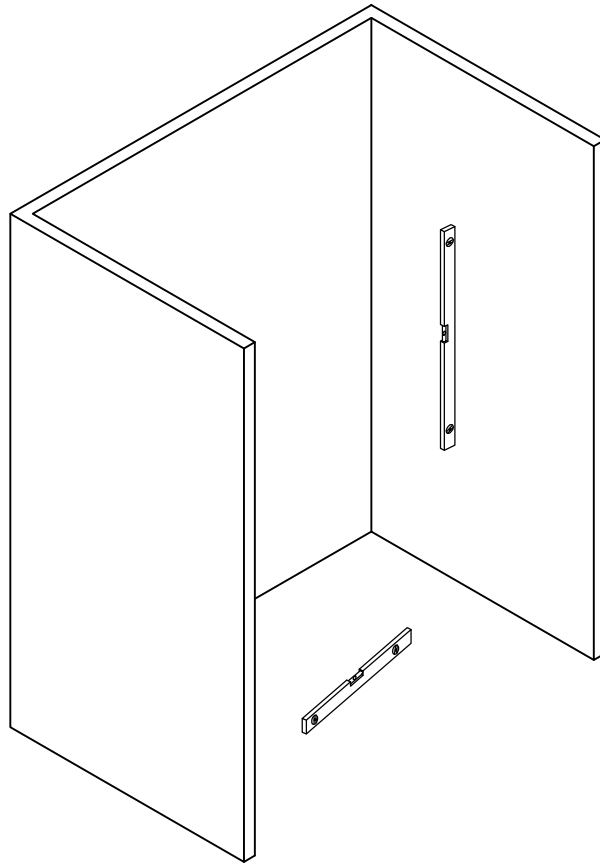
CAUTION

Please carefully read the following important safety information before handling or installing this shower. There is a risk of serious injury while handling this product. To minimize these risks, please note:

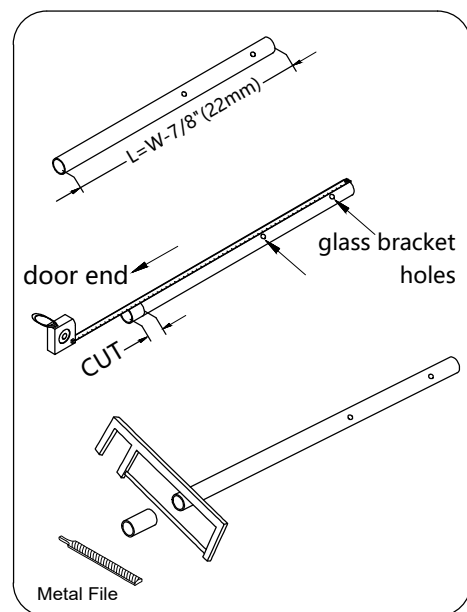
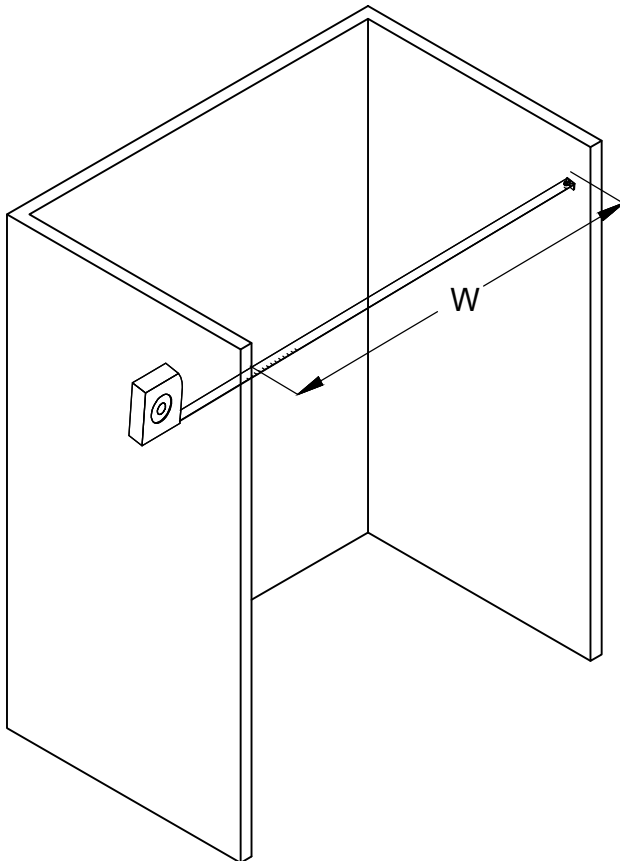
- Always wear safety glasses and gloves while handling.
- Always read and follow all the steps in the installation instructions.
- Inspect all contents and glass for damage before installation.
- Extreme caution should be taken while handling the glass during installation as the tempered glass may shatter if in contact with a hard surface.
 - Handle the tempered glass with caution! Improperly handling the glass can cause it to break suddenly in small pieces (never in pointed fragments).
 - Always take all precautions not to touch the tempered glass with any tools during the installation, or after installed.
 - Do not cut or modify the tempered glass as it will shatter if cut.
 - Carefully remove product from packaging and keep packaging until installation is complete.
 - Inspect all parts for damage; if there is damage to the unit prior to installation, please contact customer service at the number provided in this guide.
 - Install the shower on a floor that is level and able to accommodate the weight of the unit and an occupant.
 - Consult local building codes and compliance standards prior to installation and ensure conformity.
 - After installation, and from time to time, check the glass for fit and finish to ensure that nothing has come loose since installation.
 - Keep this installation manual for future reference.

NOTE: Heavy product ! You will need at least two people to install this unit properly.

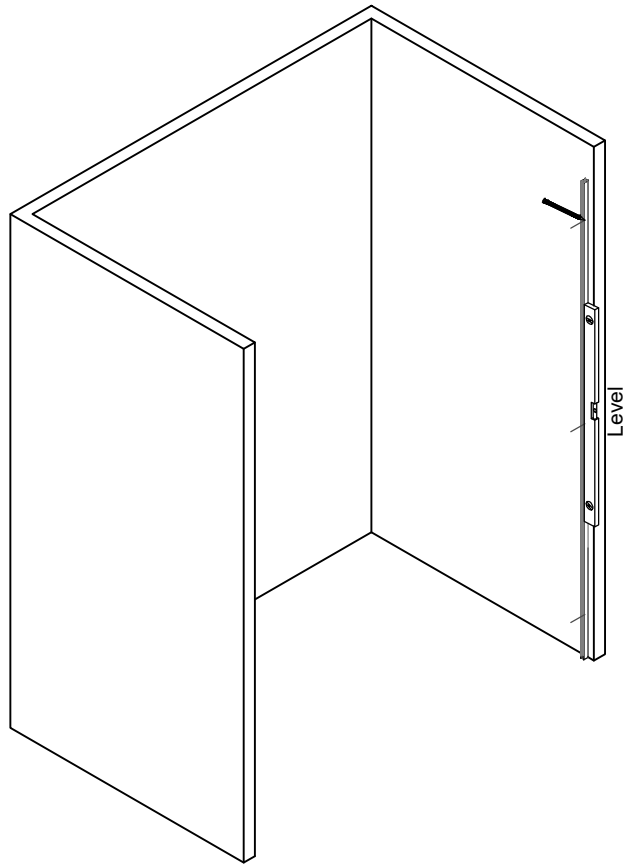
LEVEL



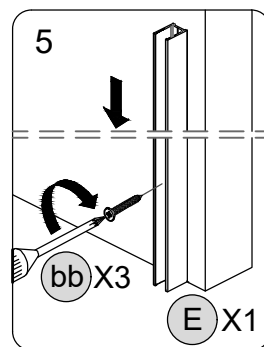
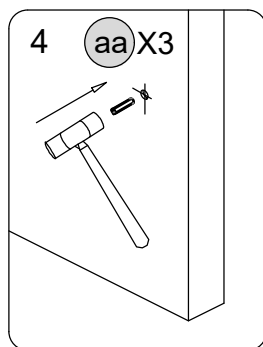
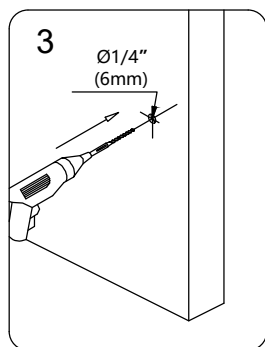
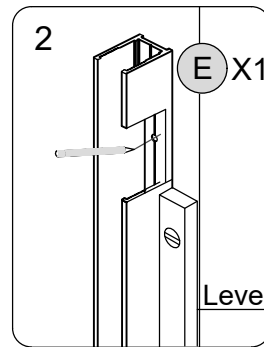
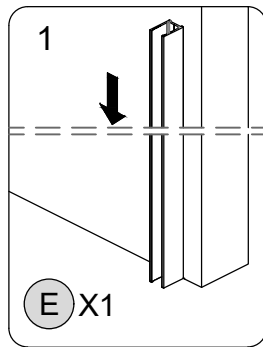
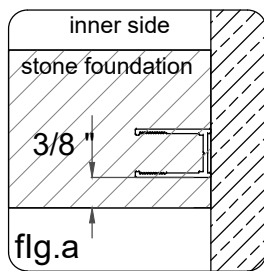
Shear Upper Guide Rail



Install Wall Jamb



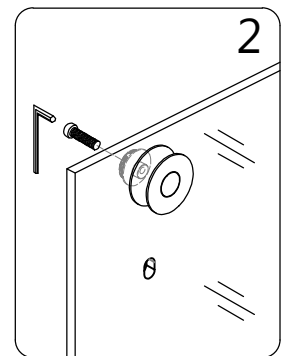
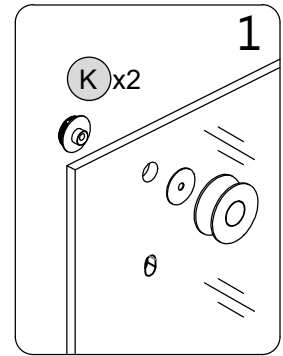
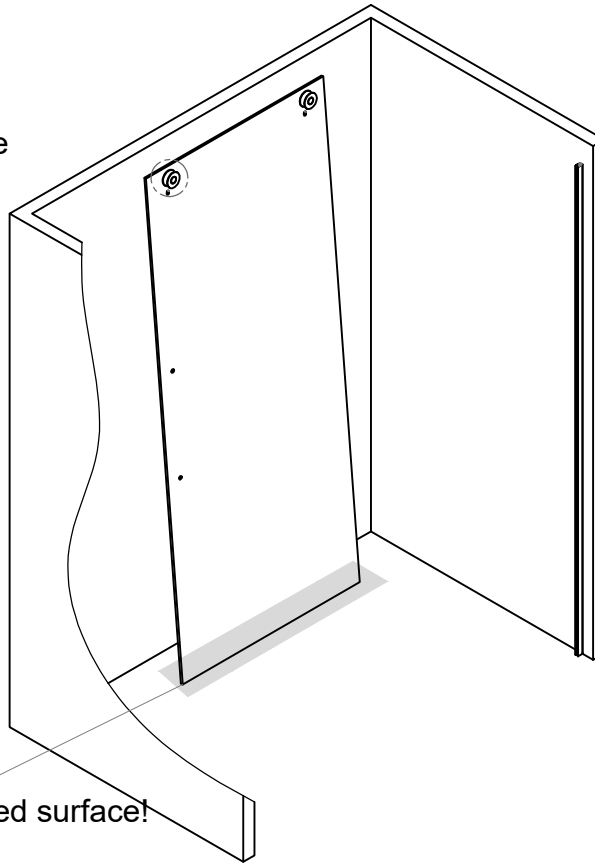
If there is a stone foundation at the bottom, it is necessary to reserve 3/8" position and fix it again (as fig.a show).



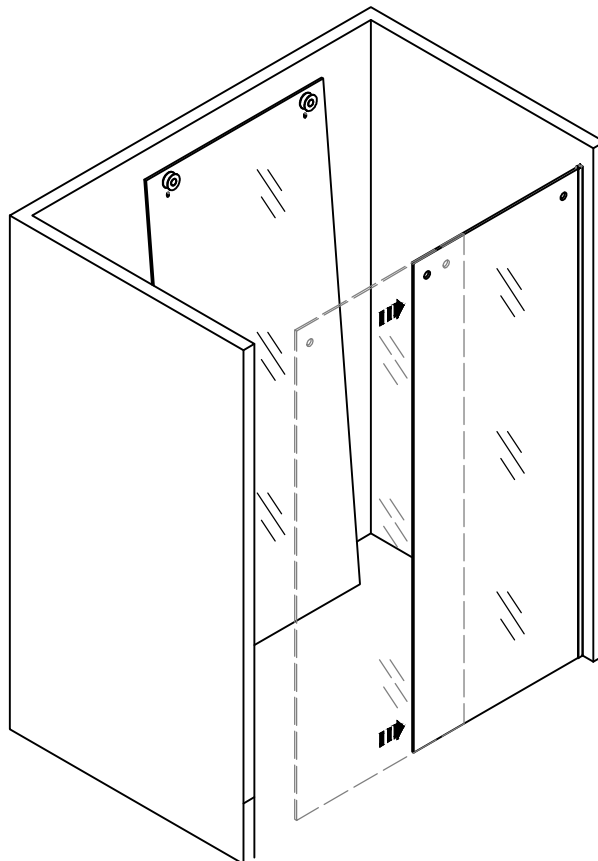
Move Door Glass

Note:

Put the door glass on the inner side to avoid the narrow entrance space and the difficulty of installing the movable door after the glass fixing installation, and also avoid the difficulty of glass entering.

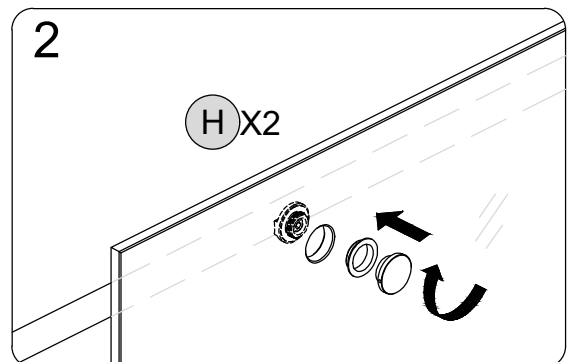
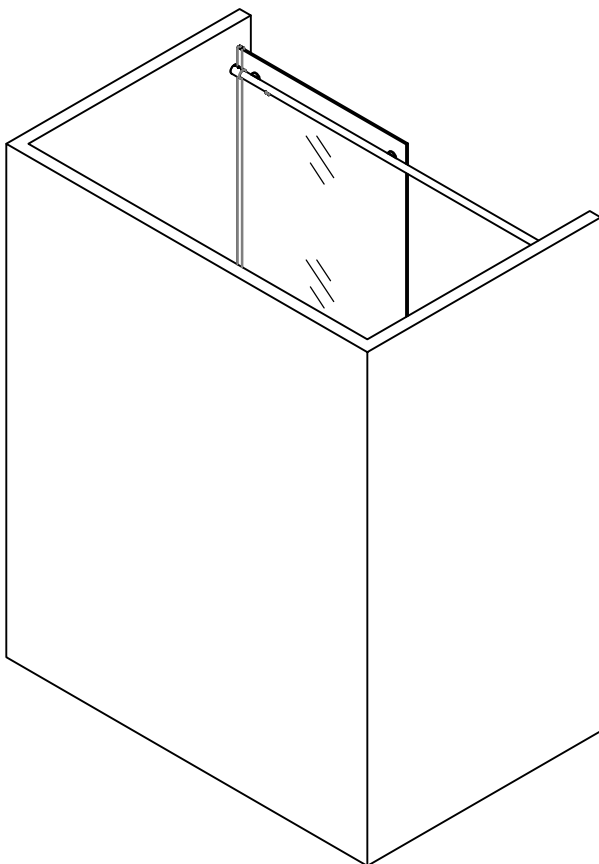
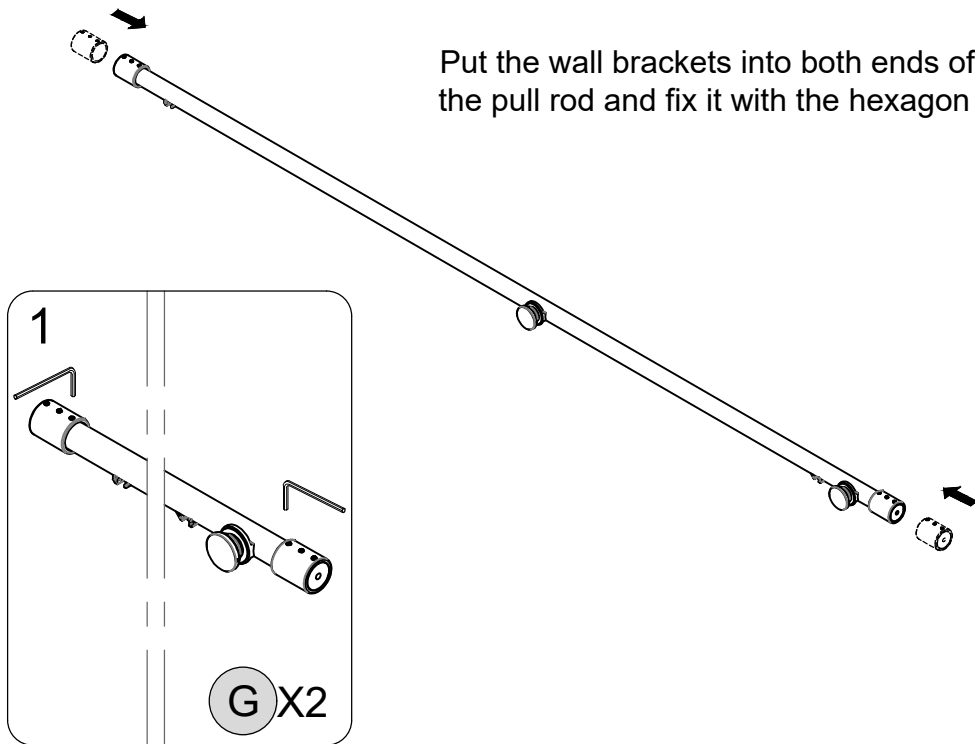


Install Stationary Glass



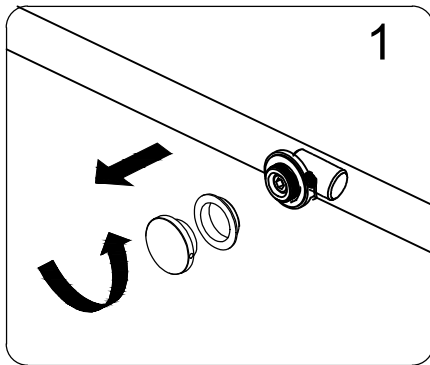
Install The Top Pull Rod(Right hand)

Put the wall brackets into both ends of the pull rod and fix it with the hexagon key.

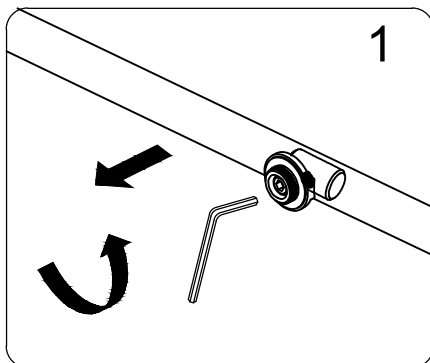


Install The Top Pull Rod(Left hand)

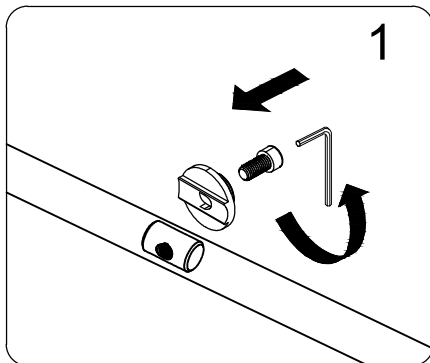
By default the upper pull rod is the right fixed glass, if the scene is the left fixed glass. You need to reassemble the guide rail as follows.



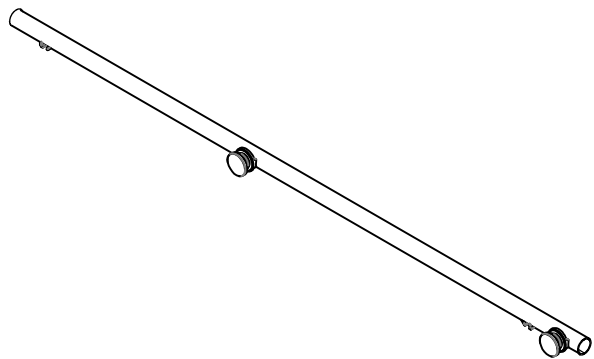
Unscrew the fixing cover.



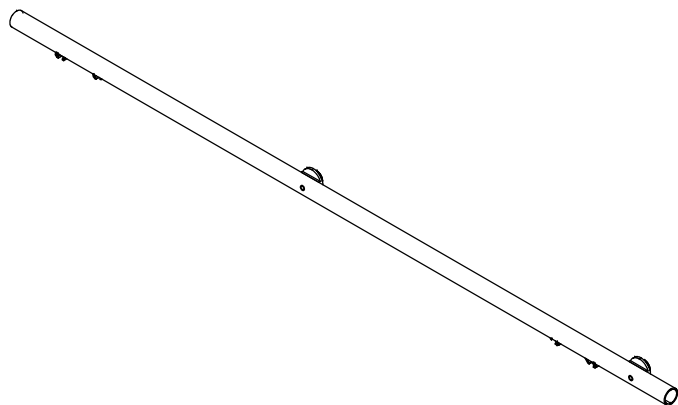
Disassemble the fixing bracket



Install the fixing bracket in the otherside.

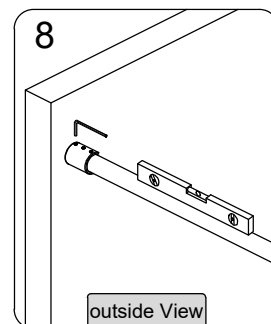
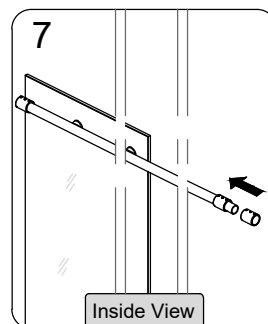
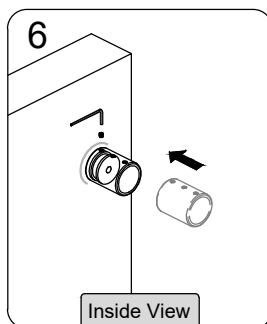
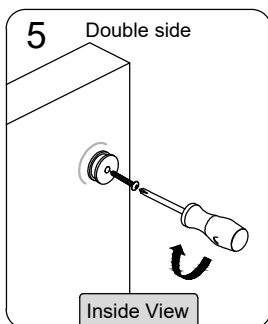
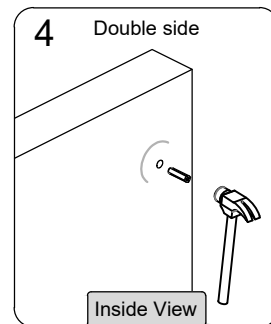
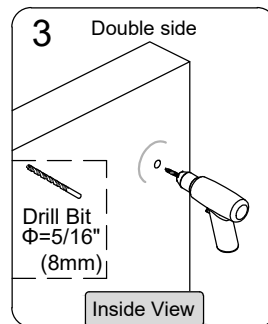
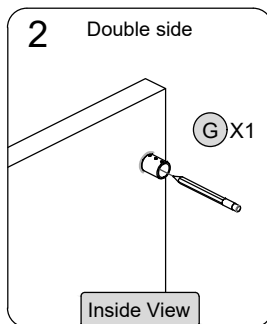
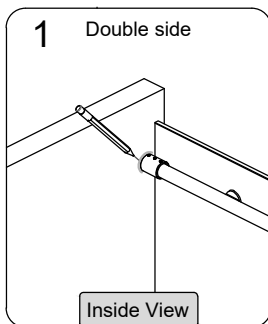
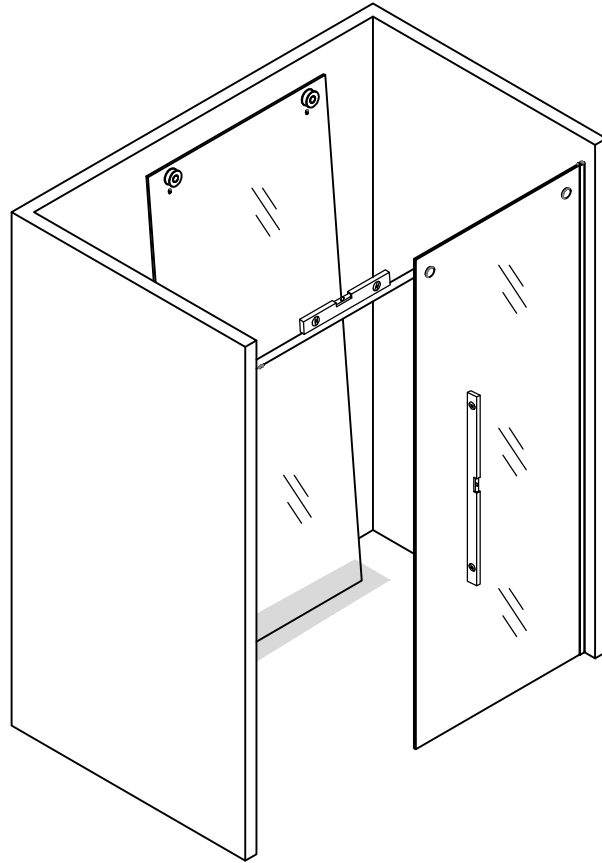


Right fixed pull rod



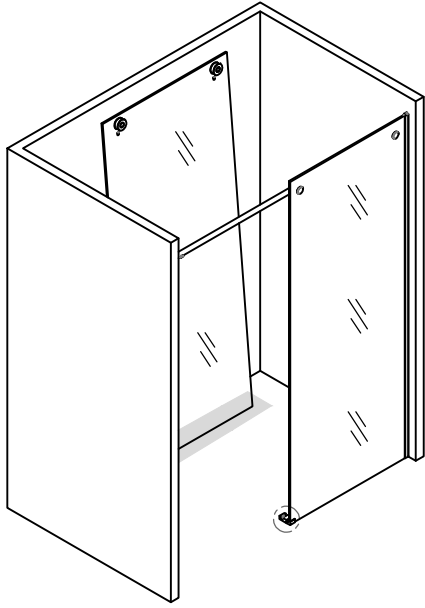
Left fixed pull rod

Install The Top Pull Rod

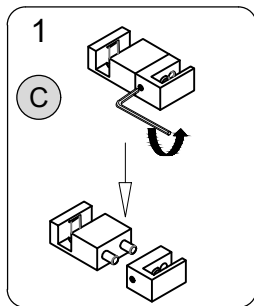
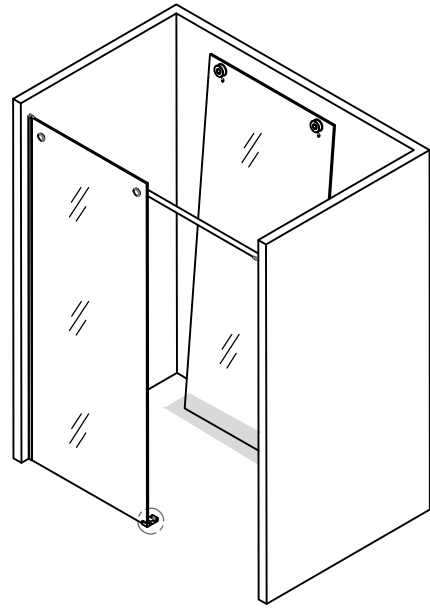


Install Guide Block

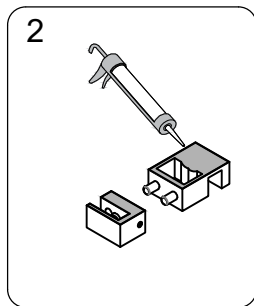
Right Hand



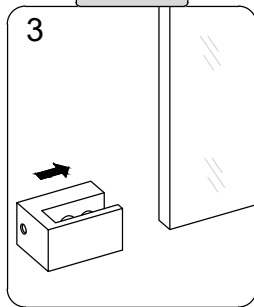
Left Hand



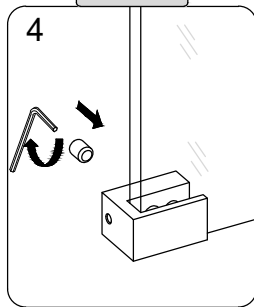
outside View



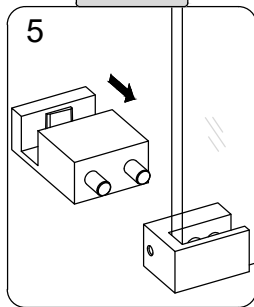
outside View



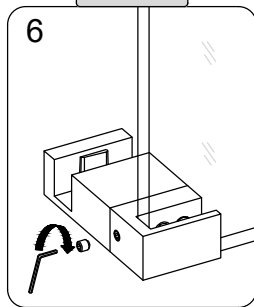
outside View



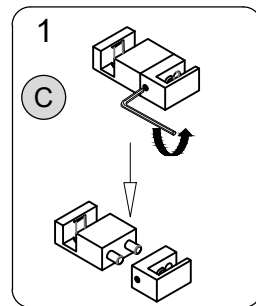
outside View



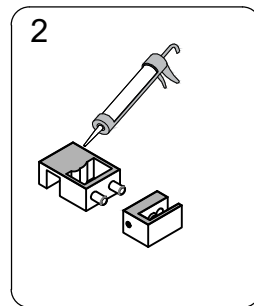
outside View



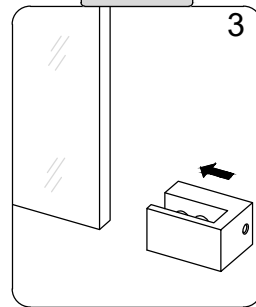
outside View



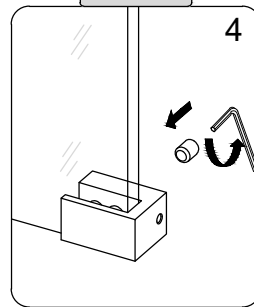
outside View



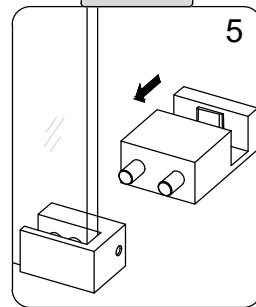
outside View



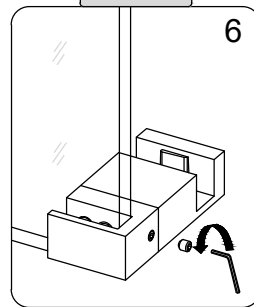
outside View



outside View

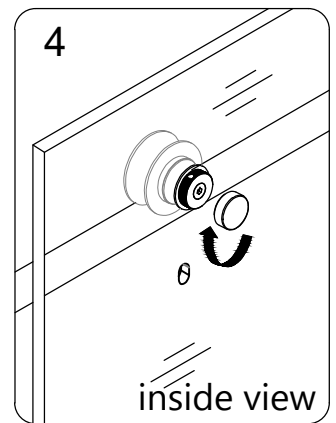
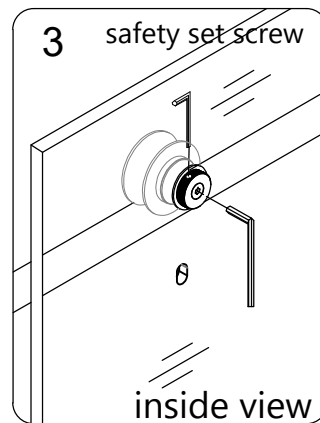
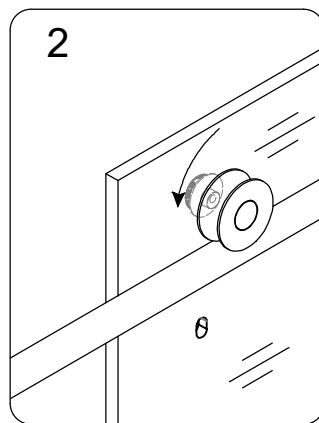
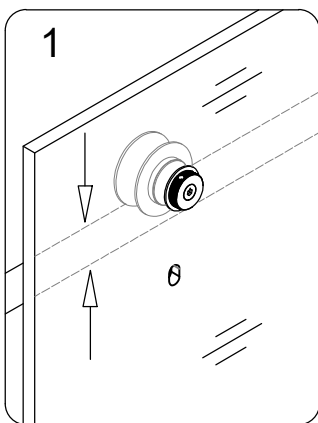
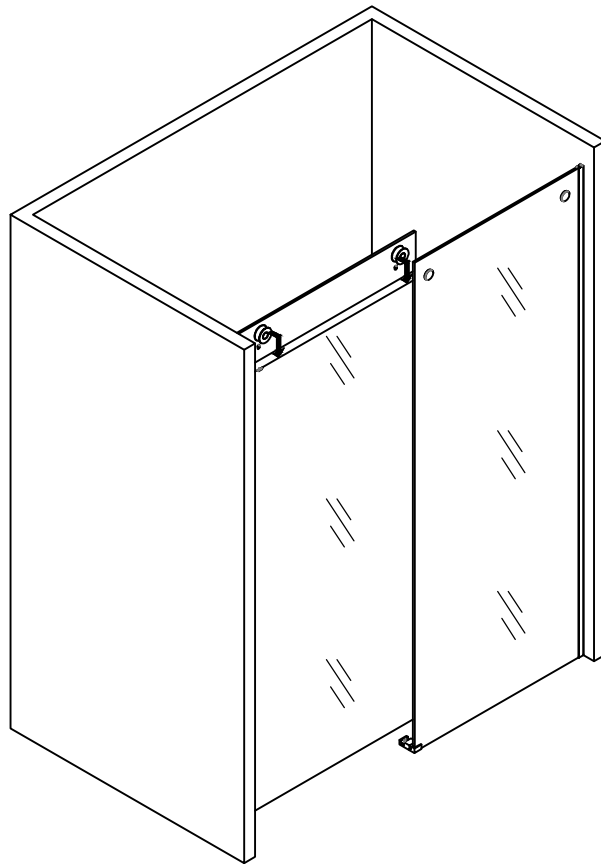


outside View

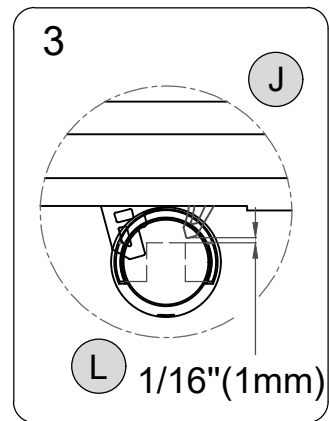
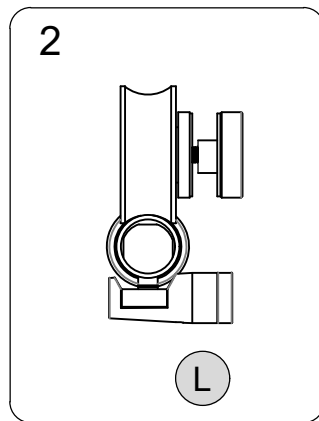
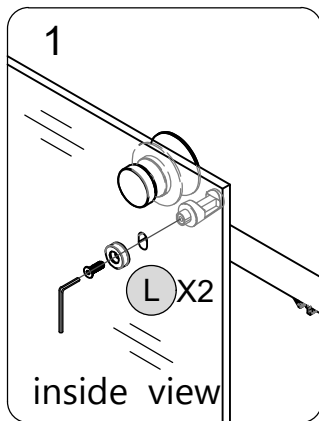
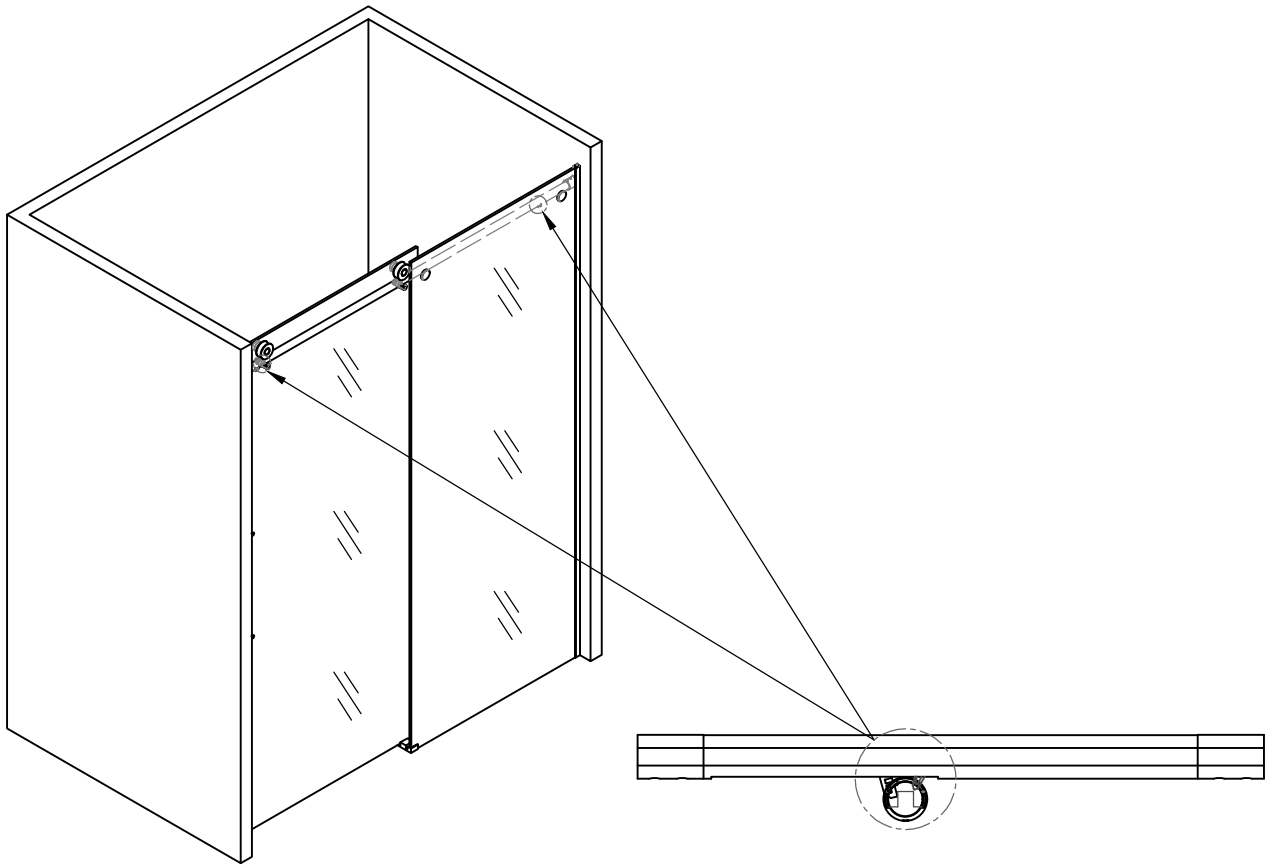


outside View

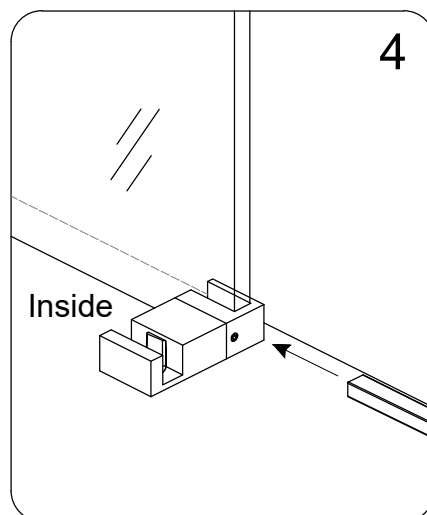
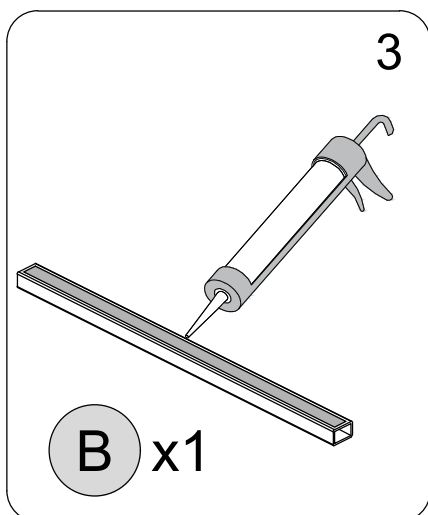
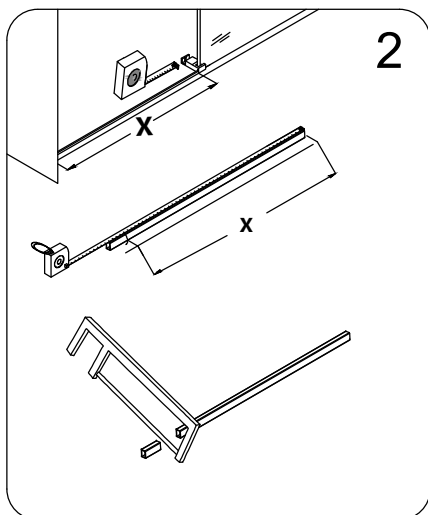
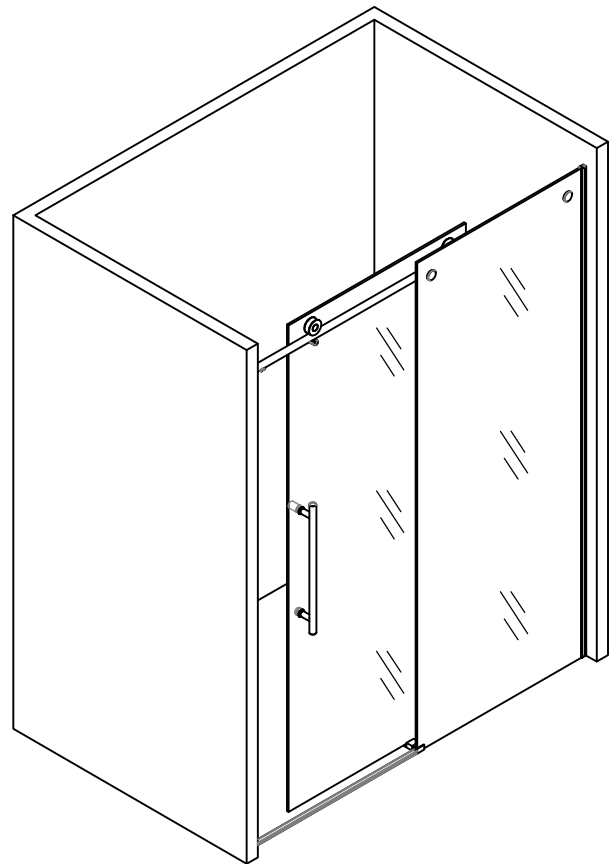
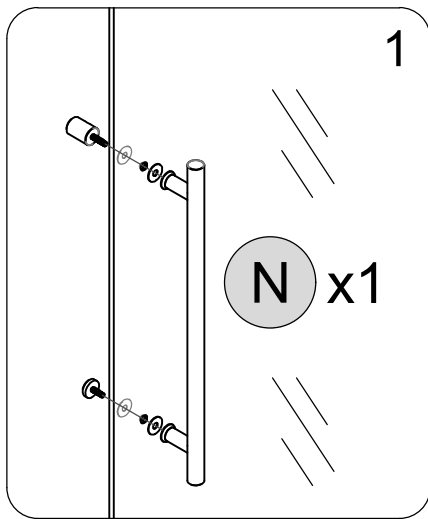
Install Door Glass



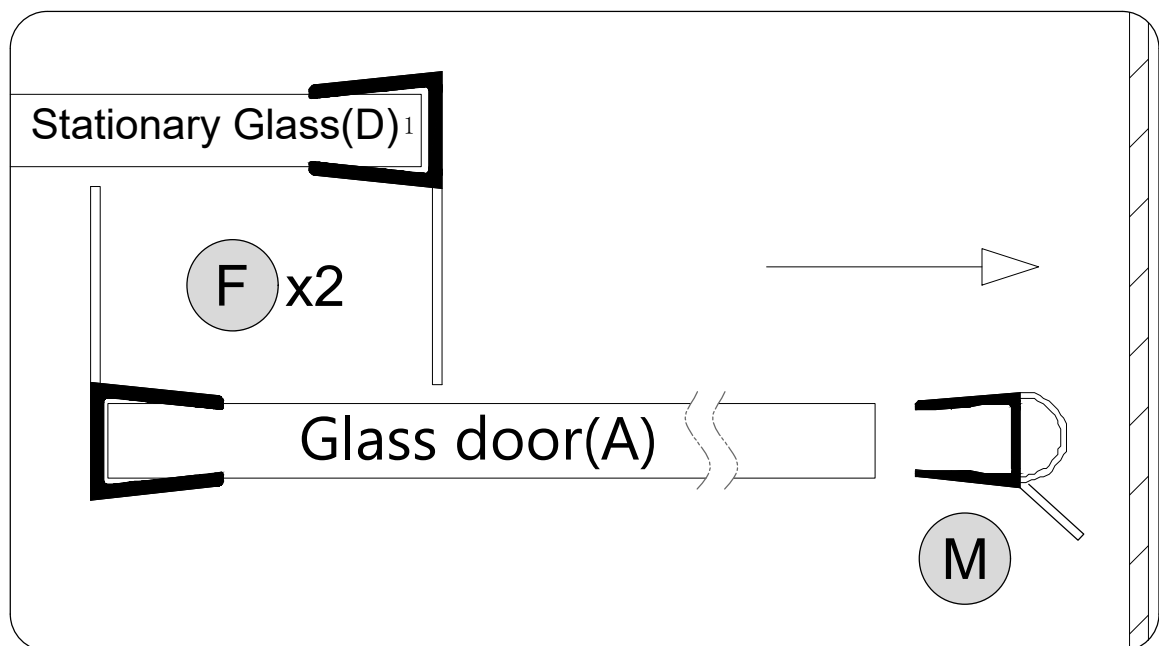
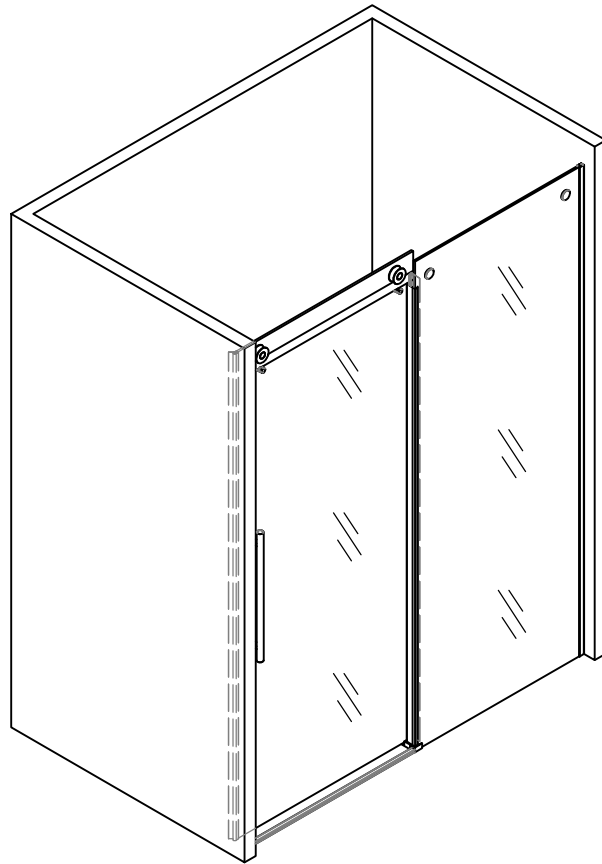
Install Roller Guards



Install Handle and Anti-Splash Guard

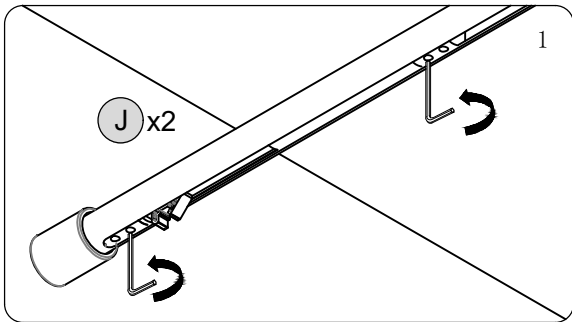


Install Bumper Strip and Anti-Water Strips

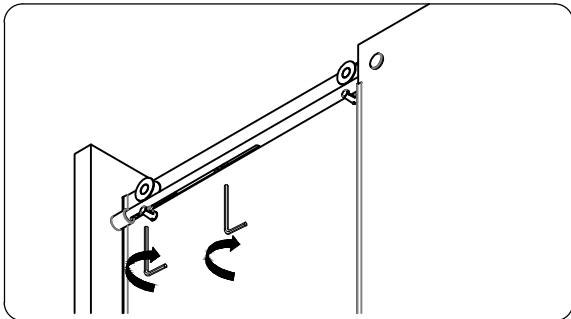


Install Anti-Fluctuator

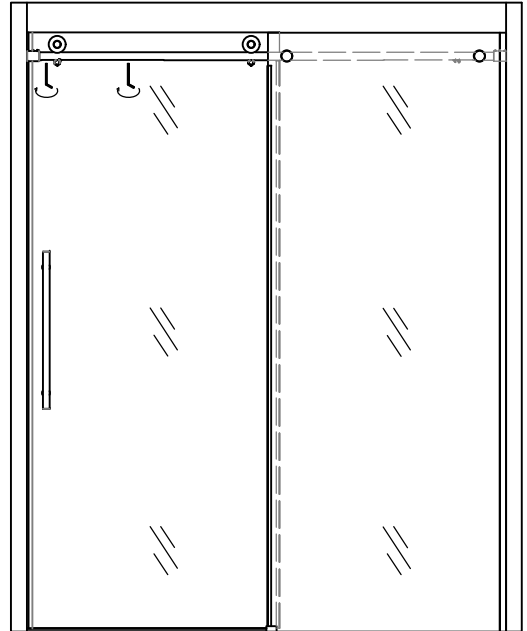
When closing the door, if there is a gap between the door glass and the wall, it is necessary to adjust the position of the soft-closing.



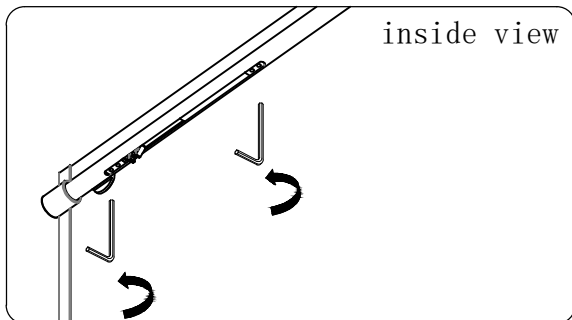
Use a 3.5mm hex key to loosen the four jacking threads on the buffer.



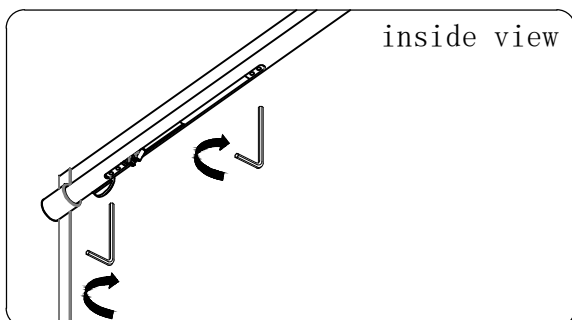
Adjust the movable door to be close to the wall safely, and then lock the top thread.



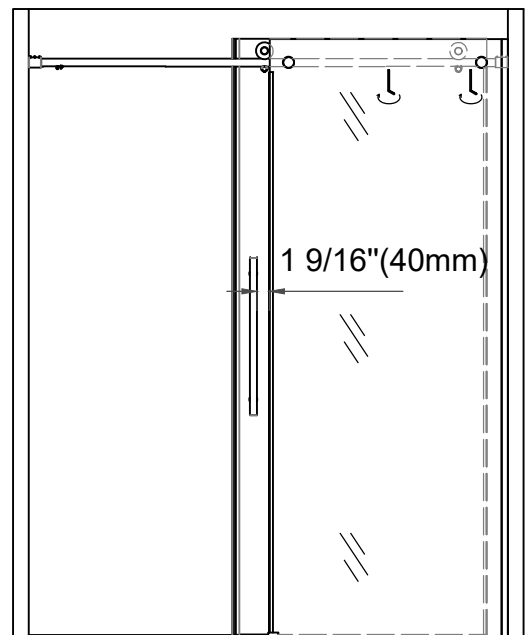
When opening the door, if the door glass is far away from the wall, it is necessary to adjust the position of the buffer to increase the door opening space.



Loosen the four top threads on the buffer with a 3.5mm hex key.

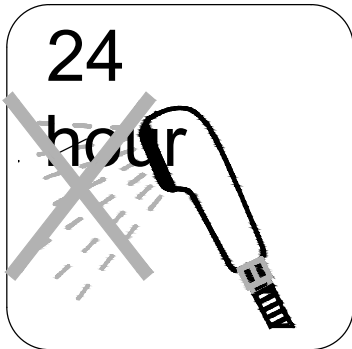


Adjust the buffer to a proper position, and then lock the top screw.

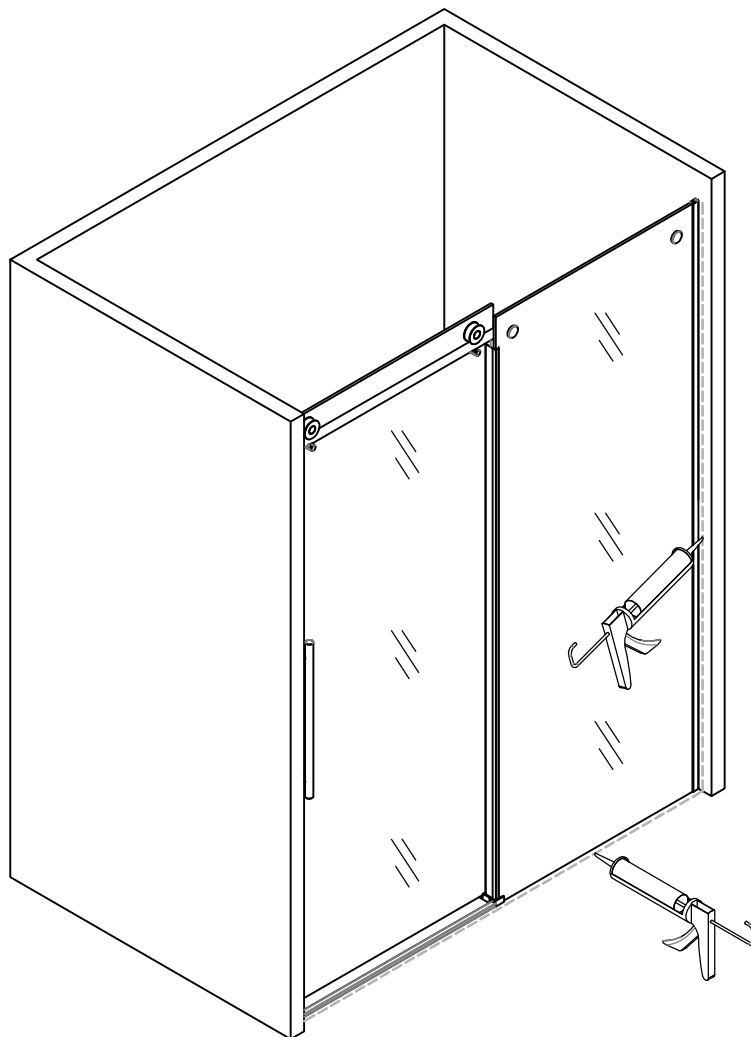


The installation is complete

Ensure that the Shower door closes tightly and opens smoothly.
Apply a good quality silicone sealant along the The Stationary Glass(D).
Allow 24 hours for silicone to dry before use.



! Apply Silicone Sealant,(not supplied).



Roller adjustment procedure

To achieve minimal clearance beneath the door glass without making contact with the bottom guide block and creating a good seal with the wall.

Have at least two 3/16" shims or wedge shims (to maintain space beneath the door glass) and an assistant available to help with this procedure.

You should adjust only one wheel at a time and you may need to perform these steps more than once to get the desired results.

Caution: The door glass is heavy and may require two people to safely accomplish these steps.

1. First, loosen and lower either the Roller Guards or to allow you enough room to adjust the upper rollers.

2. Loosen the decorative cover on the roller. (See note 2 below)

3. Loosen the big bolt just enough so that you can rotate the adjustment disk. (See note 3 below)

4. Rotate the adjustment disk to raise or lower the door slightly with help from an assistant. You can use a small tool (like an allen wrench) to aid in turning this disk by inserting it into the small hole on the edge of the adjustment disk. (see note 4 & 5 below)

5. While holding the adjustment disk in place, retighten the big bolt. Use a shim or have an assistant hold the door glass in place while you retighten the big bolt. Test the operation of the door.

6. Reposition the roller guards approximately 1/16" beneath the guide rail and retighten.

