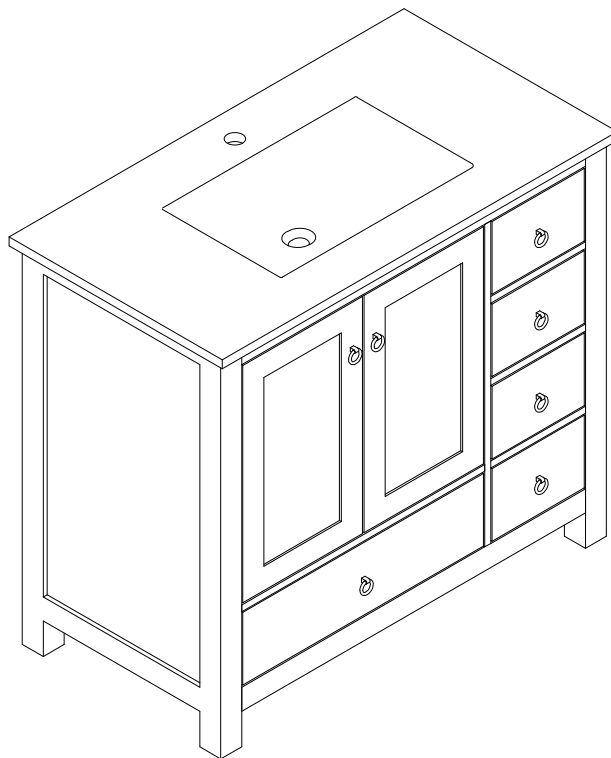


37" Single Vanity With 5 Drawers & 2 Doors

ASSEMBLY INSTRUCTIONS



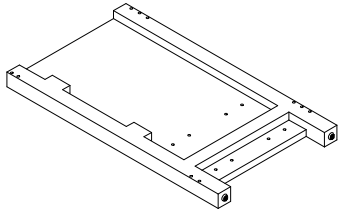
Thank you for purchasing this quality product. Be sure to check all packing material carefully for small parts, which may have come loose inside the carton during shipment. Count all parts and material hardware, then compare with parts list to be sure all parts are present. If any parts are missing or damaged, phone, fax, or mail to our Customer Service Department for efficient and speedy service. Please indicate the model number and code letter of part(s) needed.

NOTE: In order to prevent damage during assembly, please assemble this item with at least two people.

IMPORTANT NOTE: Follow instructions listed below in proper sequence as numbered to assure fast, easy and correct assembly.

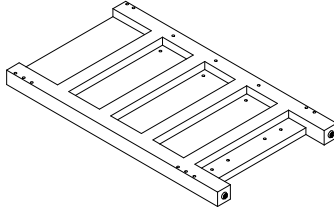
PARTS LIST

1



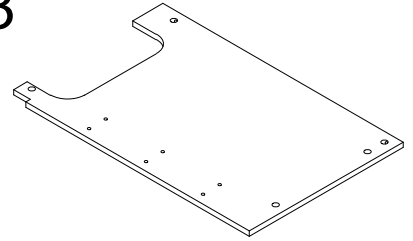
LEFT PANEL-1PC

2



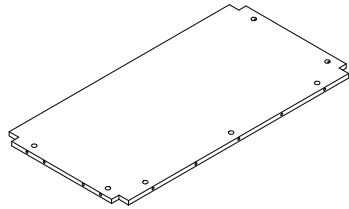
RIGHT PANEL-1PC

3



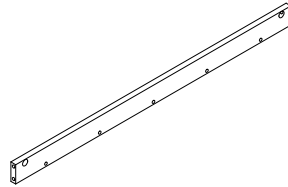
STAND PANEL-1PC

4



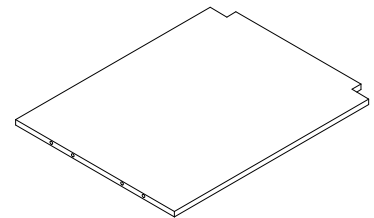
BOTTOM PANEL -1PC

5



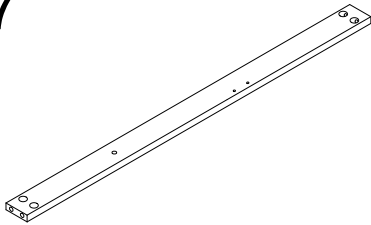
BOTTOM RAIL-1PC

6



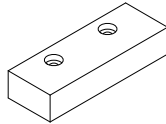
SHELF PANEL-1PC

7



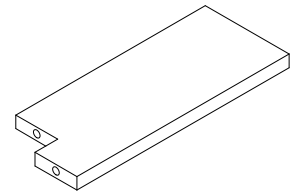
FRONT PANEL -1PC

8



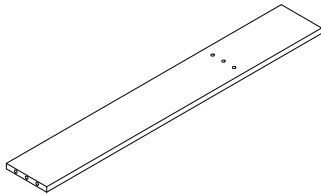
DOOR STOP-1PC

9



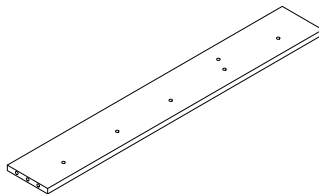
FRONT MIDDLE PANEL-1PC

10



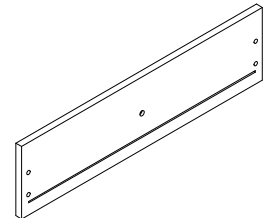
TOP BACK PANEL-1PC

11



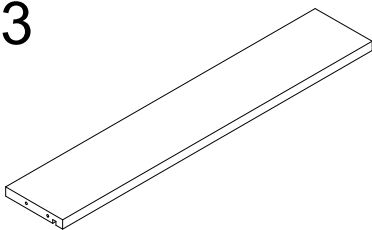
BELOW BACK PANEL-1PC

12



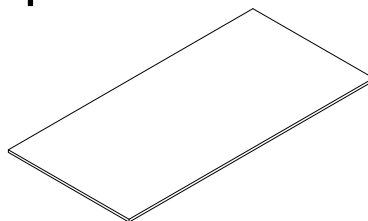
BIG DRAWER FRONT-1PC

13



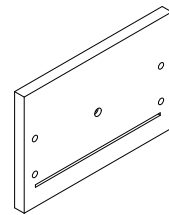
BIG DRAWER BACK-1PC

14



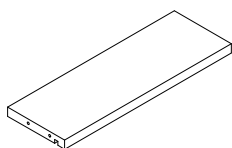
BIG DRAWER BOTTOM-1PC

15



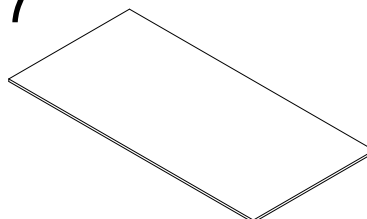
SMALL DRAWER FRONT-4PCS

16



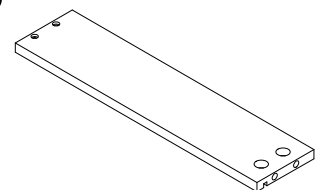
SMALL DRAWER BACK-4PCS

17



SMALL DRAWER BOTTOM-4PCS

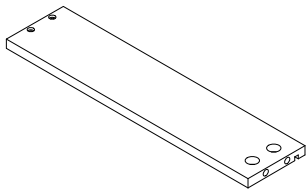
18



DRAWER SIDE LEFT-10PCS

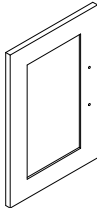
PARTS LIST

19



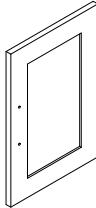
DRAWER SIDE RIGHT-10PCS

20



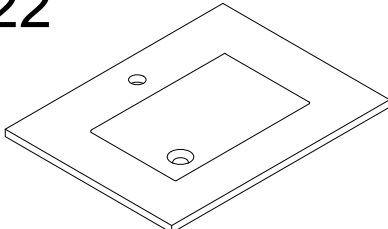
LEFT DOOR-1PC

21





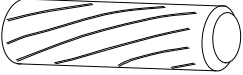
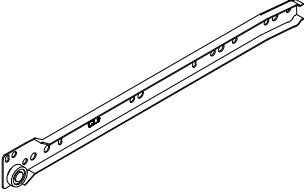
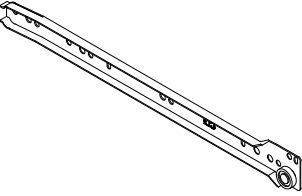
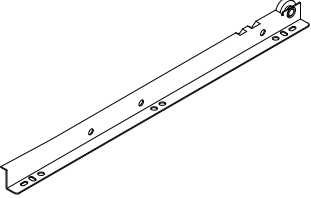
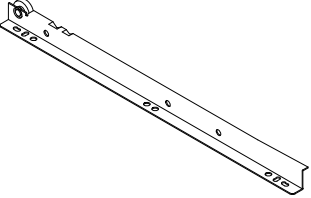
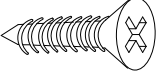
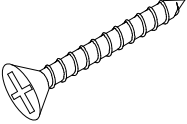


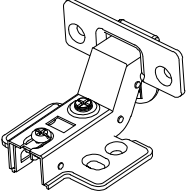
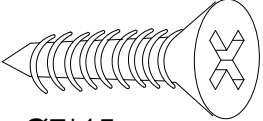

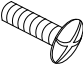

RIGHT DOOR-1PC

22

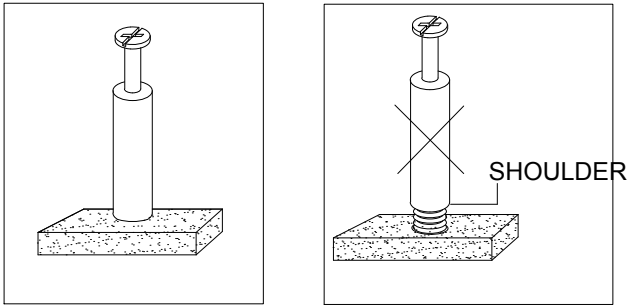


SINK-1PC

HARDWARE LIST

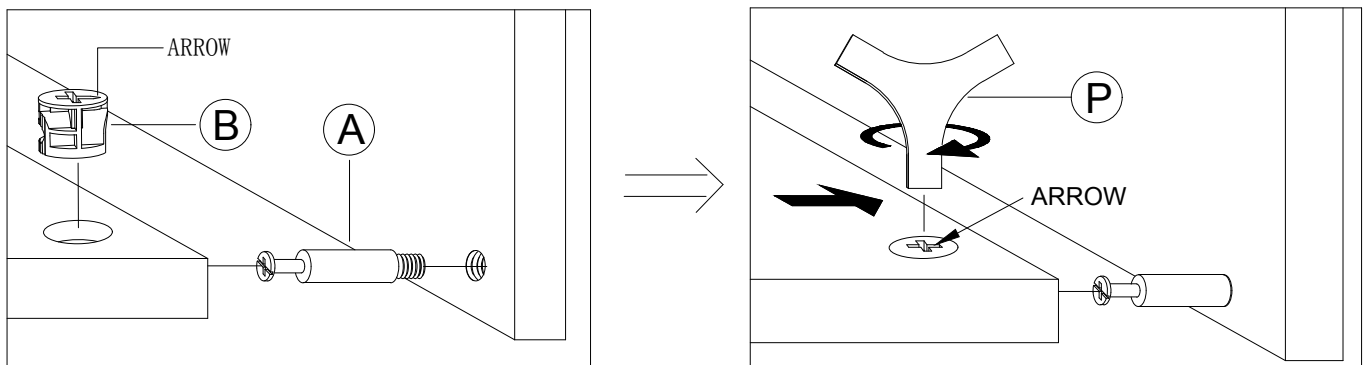
<p>A M6*35mm</p>  <p>CAM-BOLTS - 45PCS</p>	<p>B Ø15*12mm</p>  <p>CAM-LOCKS-45PCS</p>	<p>C Ø8*30mm</p>  <p>DOWELS-21PCS</p>
<p>D</p>  <p>FEMALE SLIDING LEFT-5PCS</p>	<p>E</p>  <p>FEMALE SLIDING RIGHT-5PCS</p>	<p>F</p>  <p>MALE SLIDING LEFT-5PCS</p>
<p>G</p>  <p>MALE SLIDING RIGHT-5PCS</p>	<p>H Ø6*12mm</p>  <p>SCREW - 70PCS</p>	<p>I Ø6*25mm</p>  <p>SCREWS - 22PCS</p>
<p>J M6*25mm</p>  <p>CAM-BOLTS - 20PCS</p>	<p>K Ø15*9mm</p>  <p>CAM-LOCKS-20PCS</p>	<p>L</p>  <p>HINGES-4PCS</p>
<p>M</p>  <p>Ø7*15mm</p> <p>SCREW-24PCS</p>	<p>N</p>  <p>KNOB - 7PCS</p>	<p>O Ø8*15mm</p>  <p>BOLT - 7PCS</p>
<p>P</p>  <p>CAM TOOL-1PC</p>		

NOTE: ● UPON OPENING, THOROUGHLY CLEAN ALL WOOD SURFACES TO REMOVE DUST AND DIRT THAT MAY HAVE SETTLED ONTO FINISH DURING SHIPMENT. IN ORDER TO PREVENT DAMAGE DURING ASSEMBLY, PLEASE ASSEMBLE THIS ITEM WITH AT LEAST TWO PEOPLE.

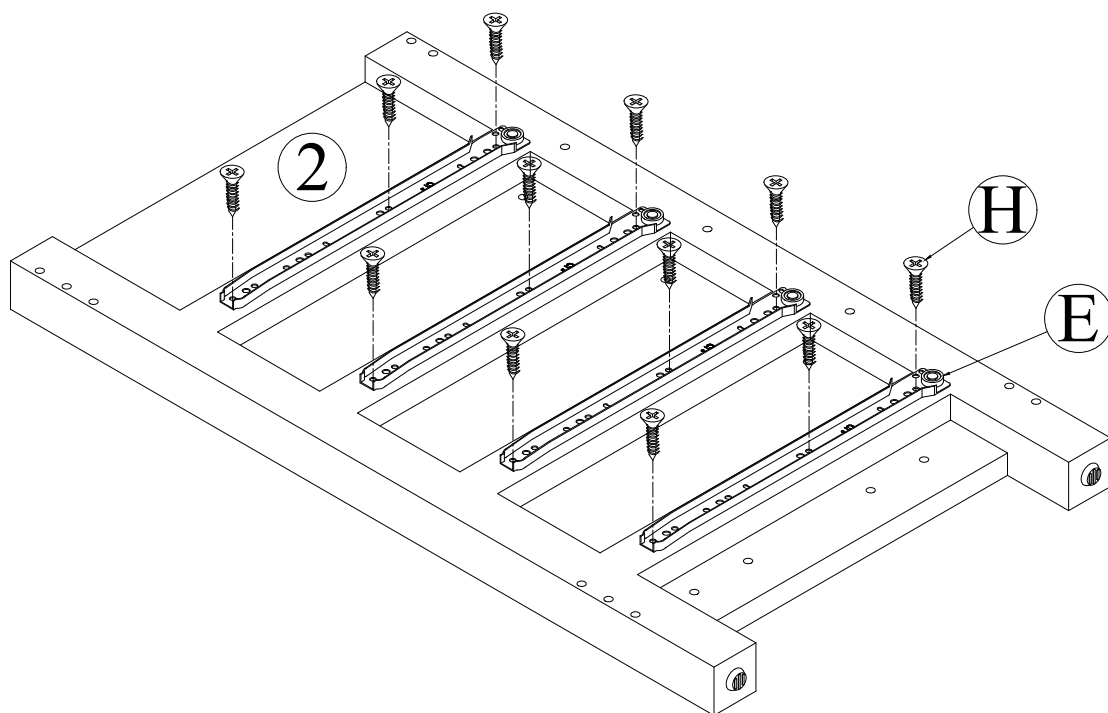
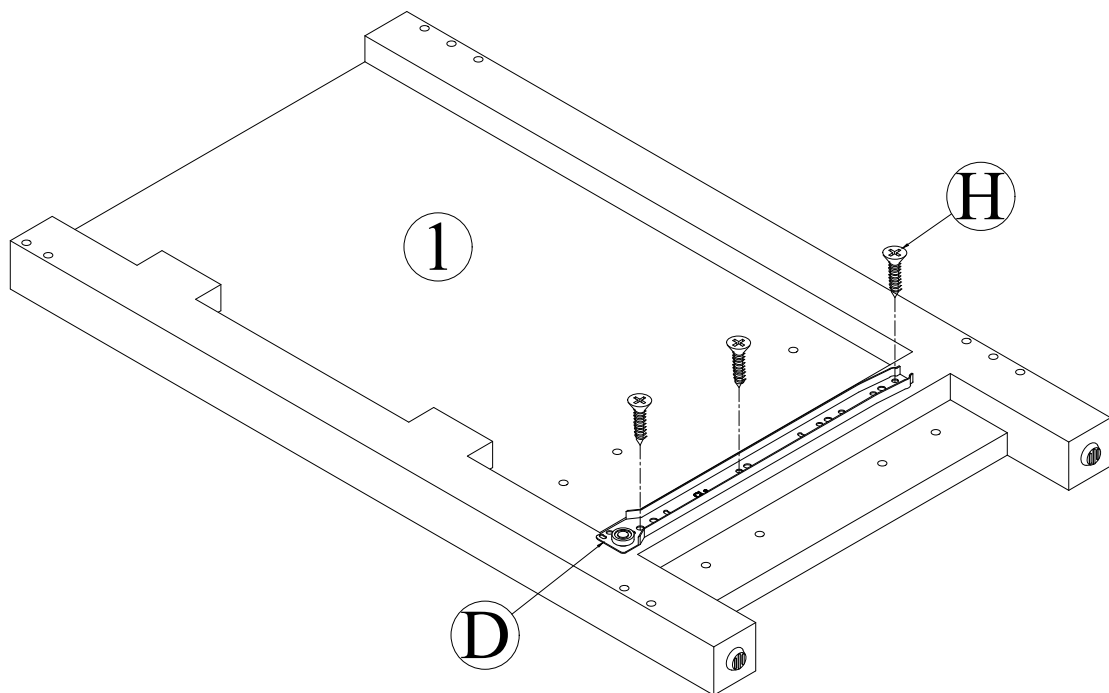


NOTE: TURN THE CAM-BOLT SCREWS UNTIL THEY ARE TIGHT, THE SHOULDER SHOULD BE AGAINST THE SURFACE OF THE PART.

HOW TO USE THE CAM-TOOL

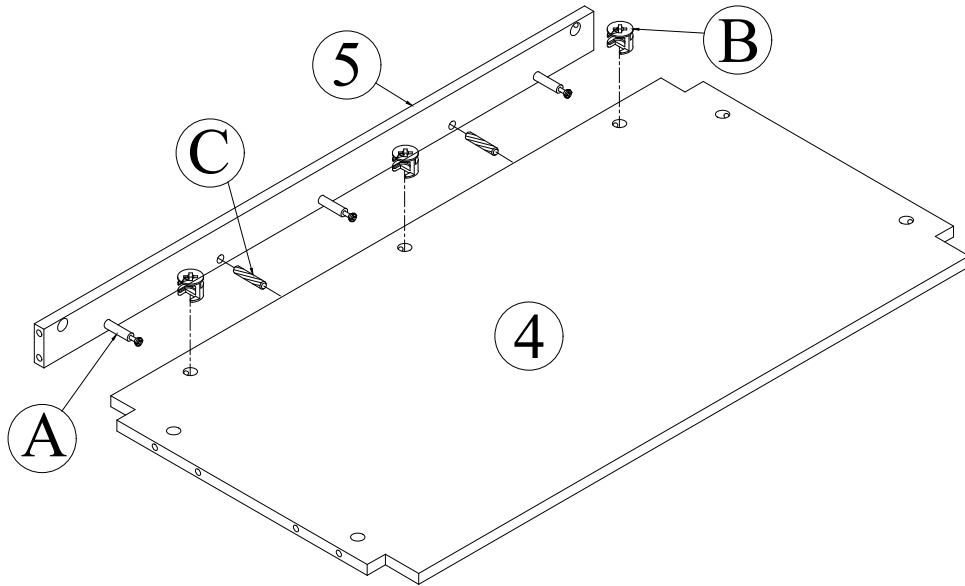


NOTE: ● THE ARROWS ON THE HIDDEN CAM-LOCKS SHOULD POINT TO THE CAM-BOLTS



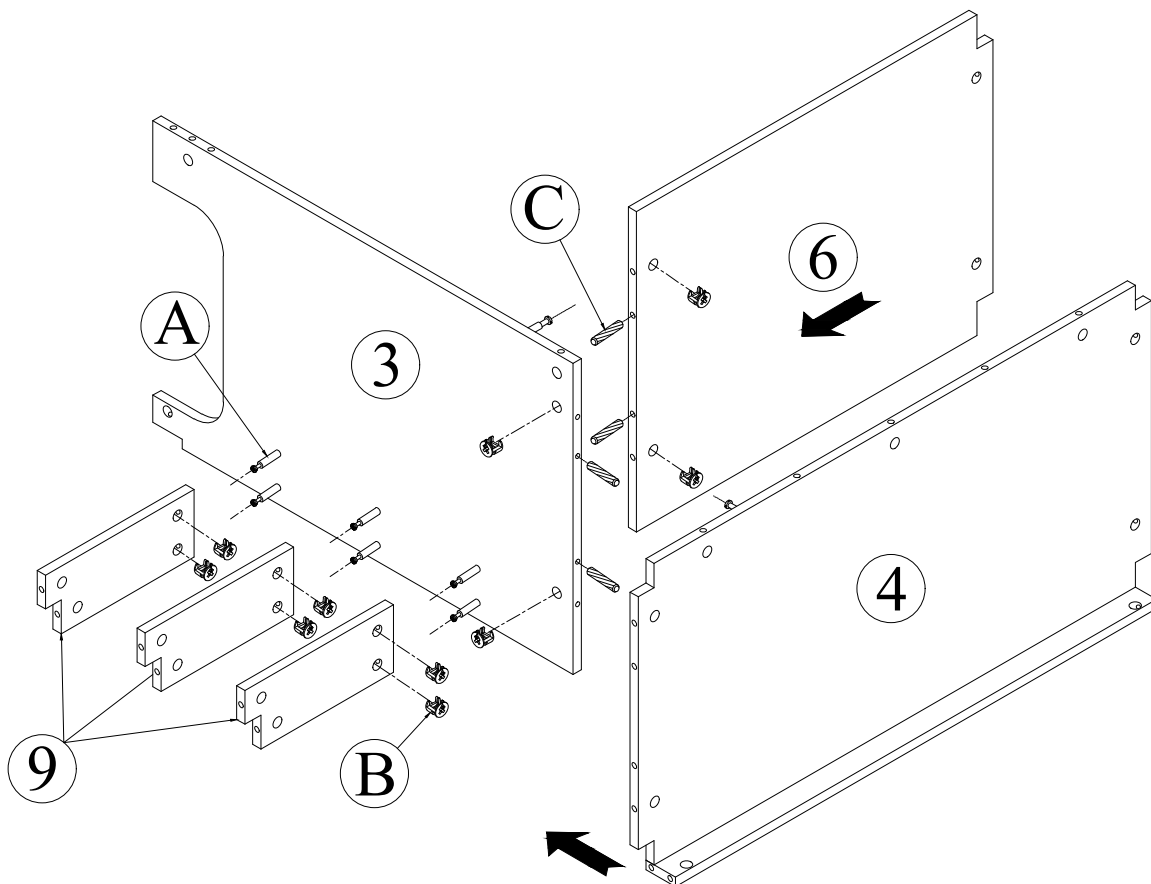
1).ASSEMBLE THE FEMALE SLIDING (D/E)

- PLACE THE FEMALE SLIDING (D/E) INTO THE HOLES IN THE PANEL (1/2) AND ATTACH USING 15 SCREW (H).



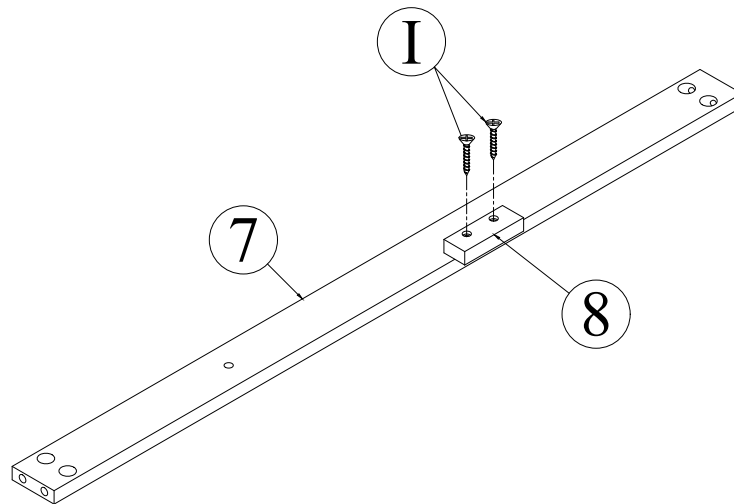
2).ASSEMBLE THE PANEL (4/5)

- ROTATE 3 CAM-BOLTS (A) INTO THE HOLES IN THE PANEL (5).
- PLACE THE PANEL (5) AND 2 DOWELS (C) INTO THE HOLES IN THE PANEL (4) AND ATTACH USING 3 CAM-LOCK (B).



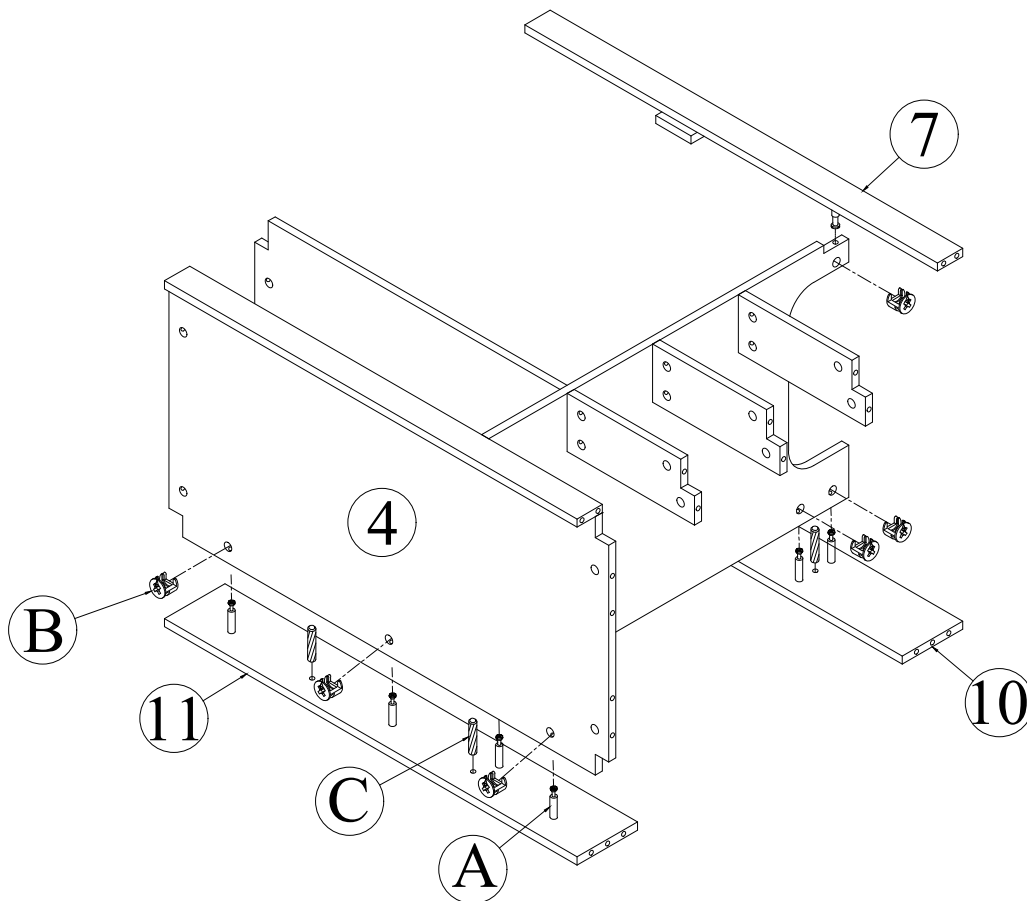
3).ASSEMBLE THE PANEL (3/4/6/9)

- ROTATE 10 CAM-BOLTS (A) INTO THE HOLES IN THE PANEL (3/4).
- PLACE THE PANEL (4/6/9) AND 4 DOWELS (C) INTO THE HOLES IN THE PANEL (3) AND ATTACH USING 10 CAM-LOCK (B).



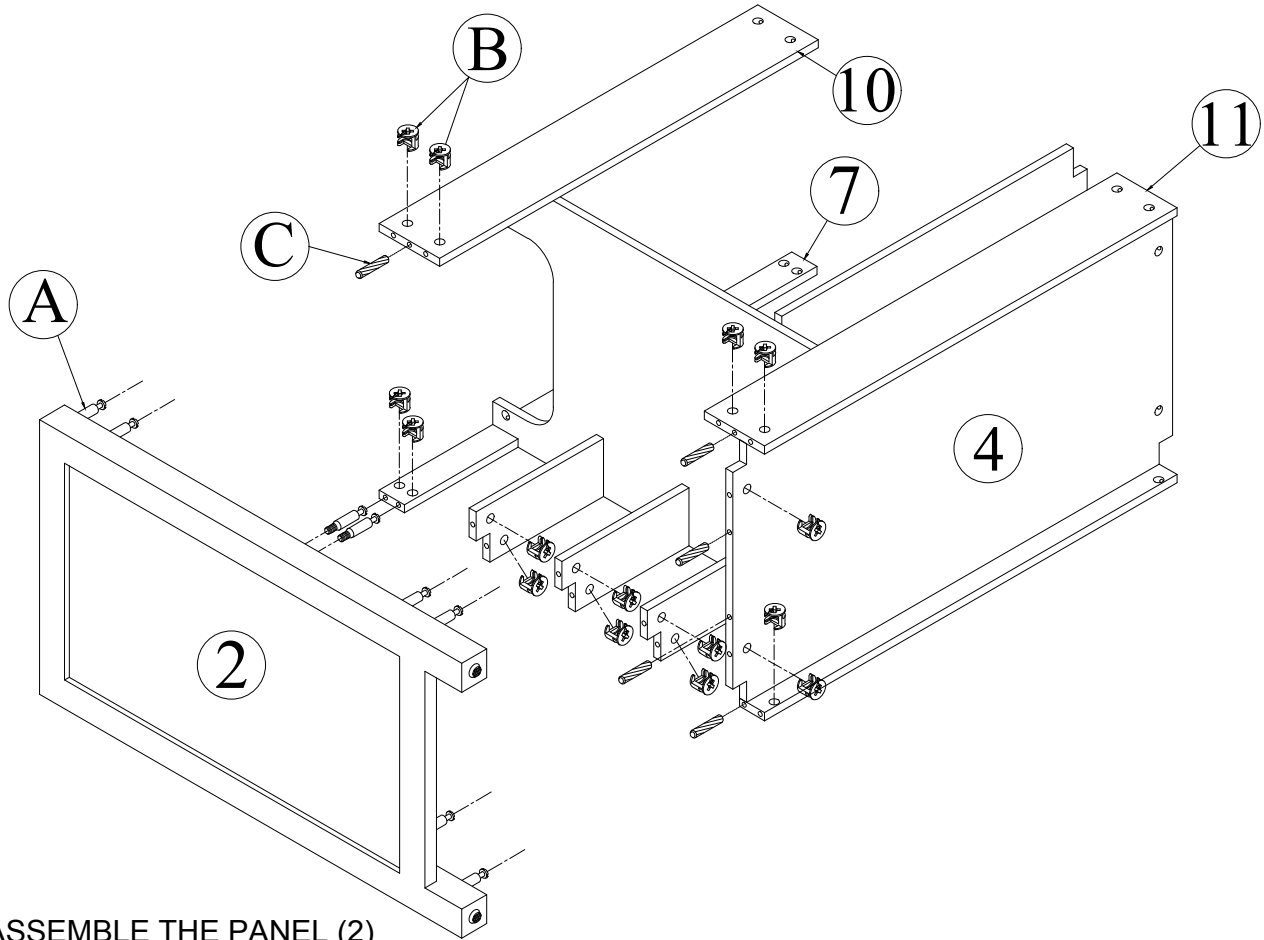
4).ASSEMBLE THE PANEL (5/6)

- PLACE THE PANEL (8) INTO THE HOLES IN THE PANEL (7) AND ATTCH USING 2 SCREWS (I)



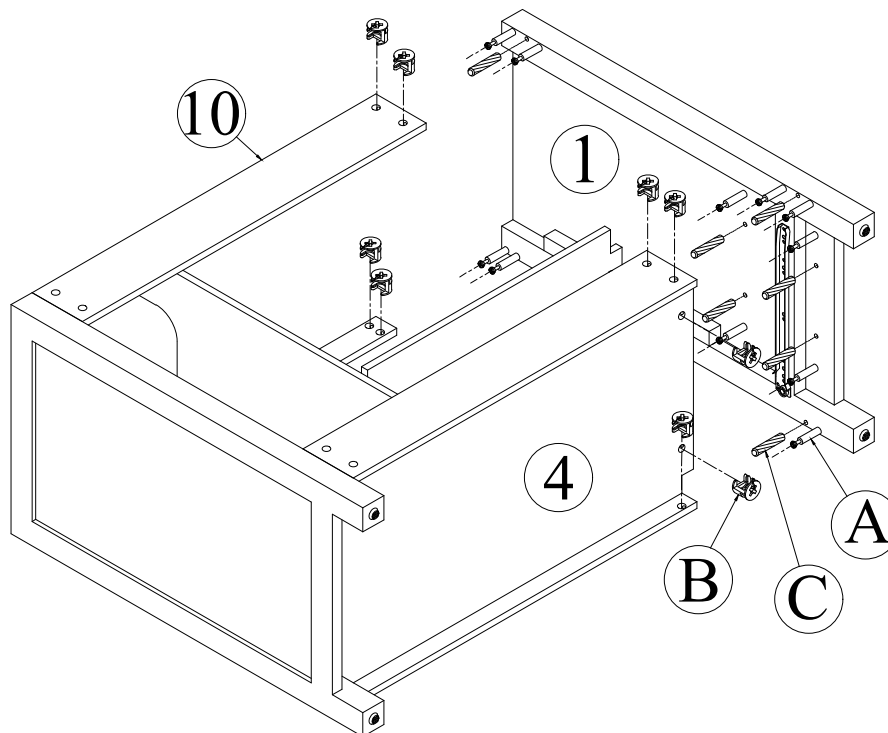
5).ASSEMBLE MAIN BODY

- ROTATE 6 CAM-BOLTS (A) INTO THE HOLES IN THE PANEL (7/10/11).
- PLACE THE PANEL (7/10/11) AND 3 DOWELS (C) INTO THE HOLES IN THE PANEL (3/4) AND ATTACH USING 6 CAM-LOCK (B).



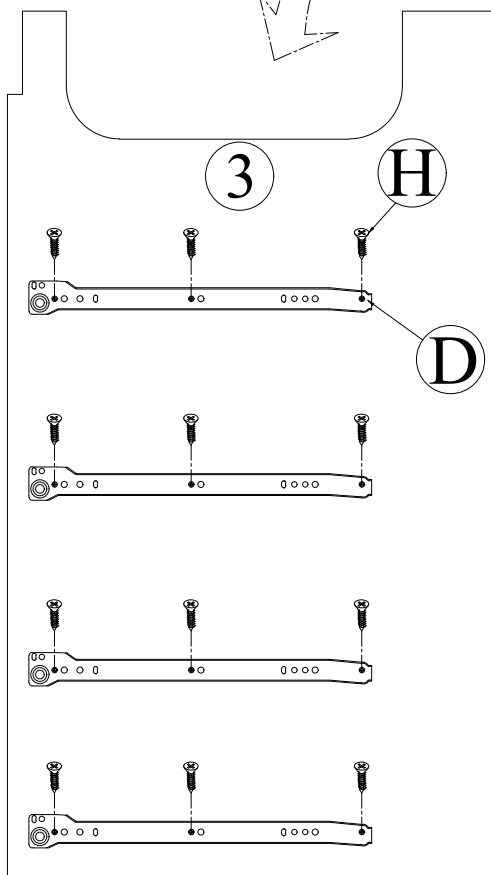
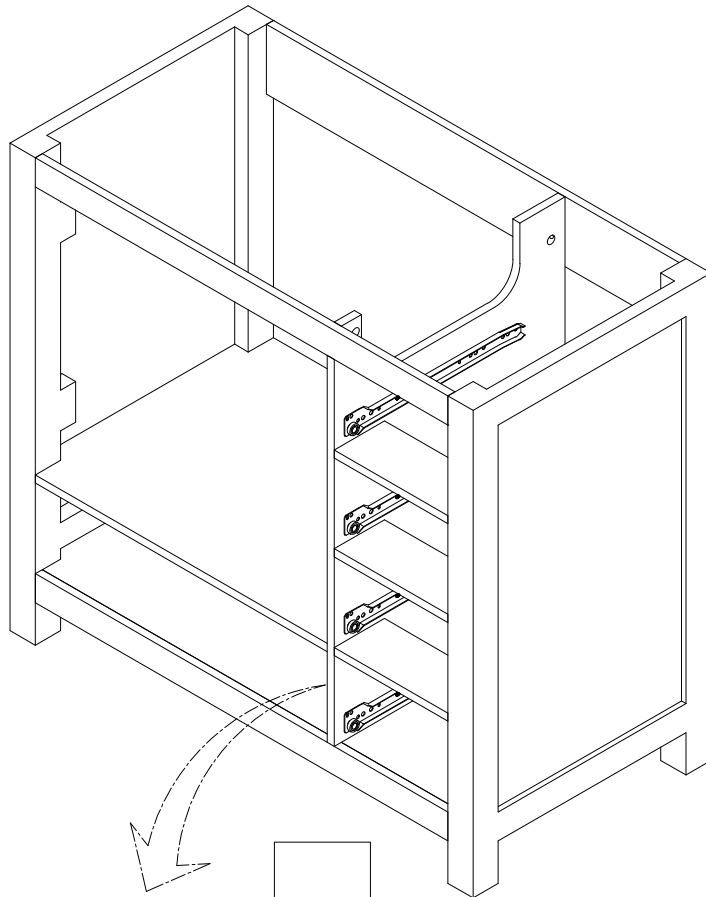
6).ASSEMBLE THE PANEL (2)

- ROTATE 15 CAM-BOLTS (A) INTO THE HOLES IN THE PANEL (2).
- PLACE THE PANEL (4/7/9/10) AND 5 DOWEL (C) INTO THE HOLES IN THE PANEL (2) AND ATTACH USING 15 CAM-LOCK (B)



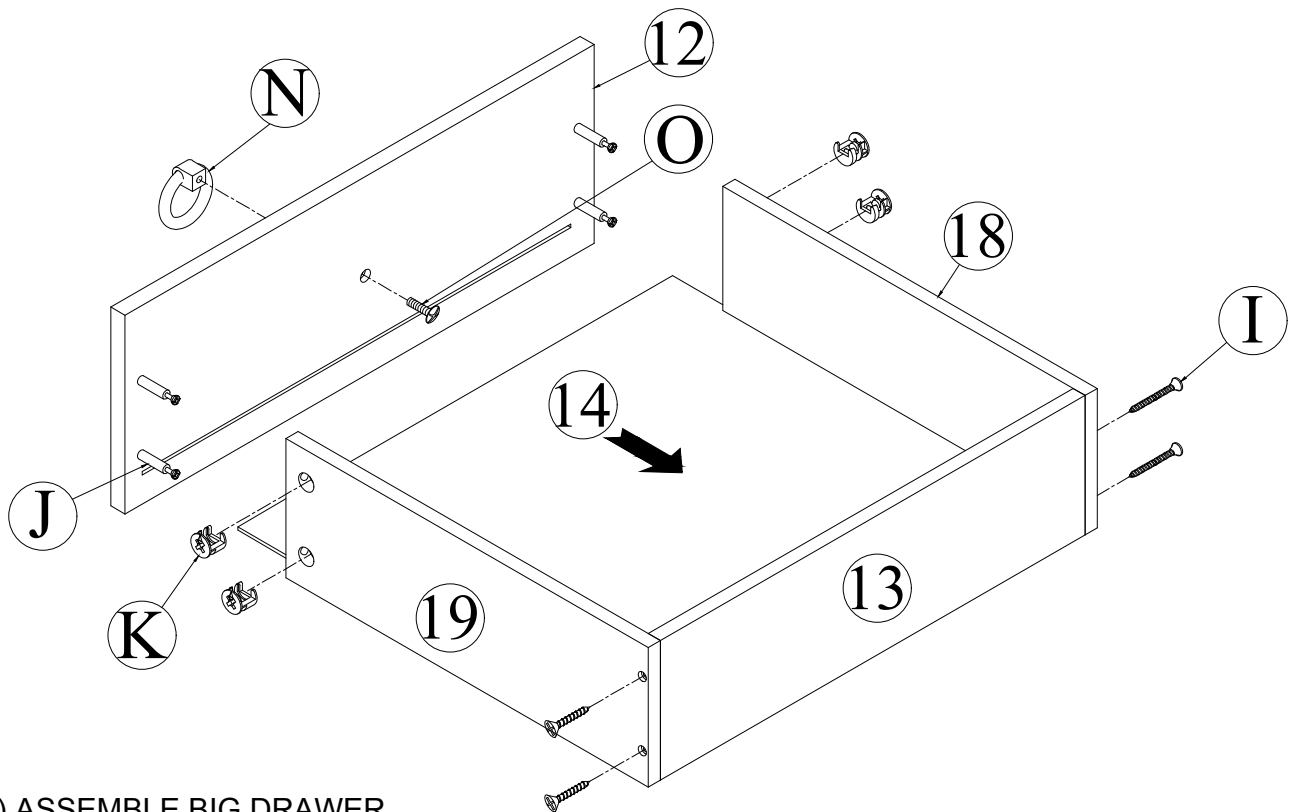
7).ASSEMBLE THE PANEL (1)

- ROTATE 11 CAM-BOLTS (A) INTO THE HOLES IN THE PANEL (1).
- PLACE THE PANEL (4/7/9/10) AND 7 DOWEL (C) INTO THE HOLES IN THE PANEL (1) AND ATTACH USING 11 CAM-LOCK (B)



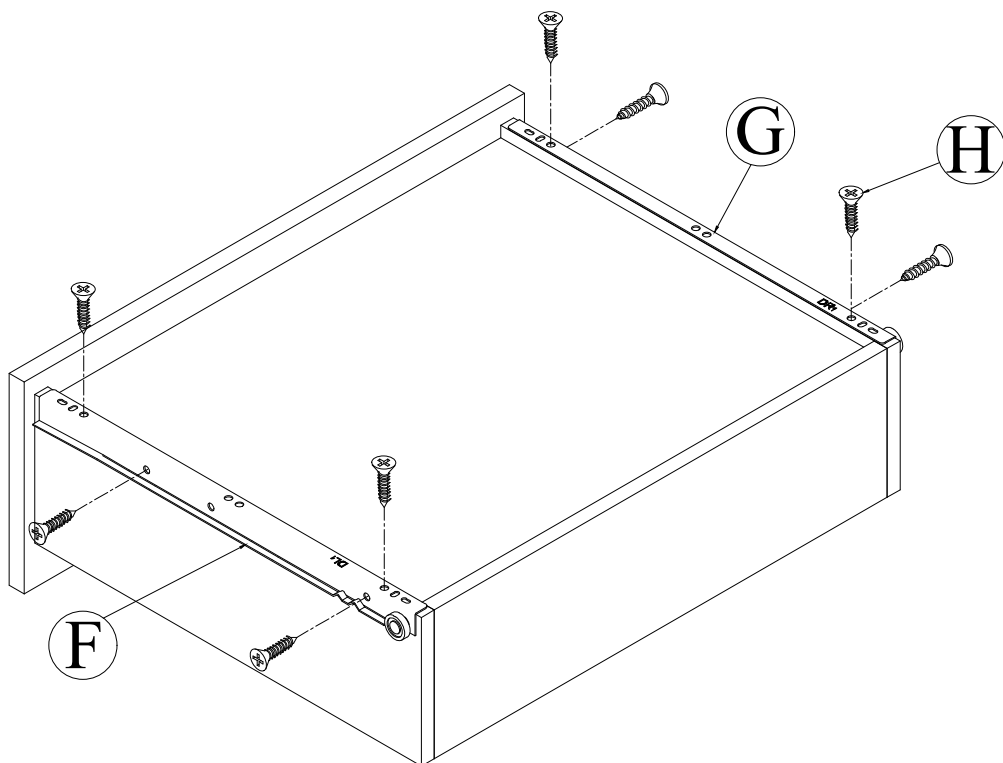
8).ASSEMBLE THE FEMALE SLIDING (D)

- PLACE THE FEMALE SLIDING (D) INTO THE HOLES IN THE PANEL (3) AND ATTACH USING 12 SCREW (H)



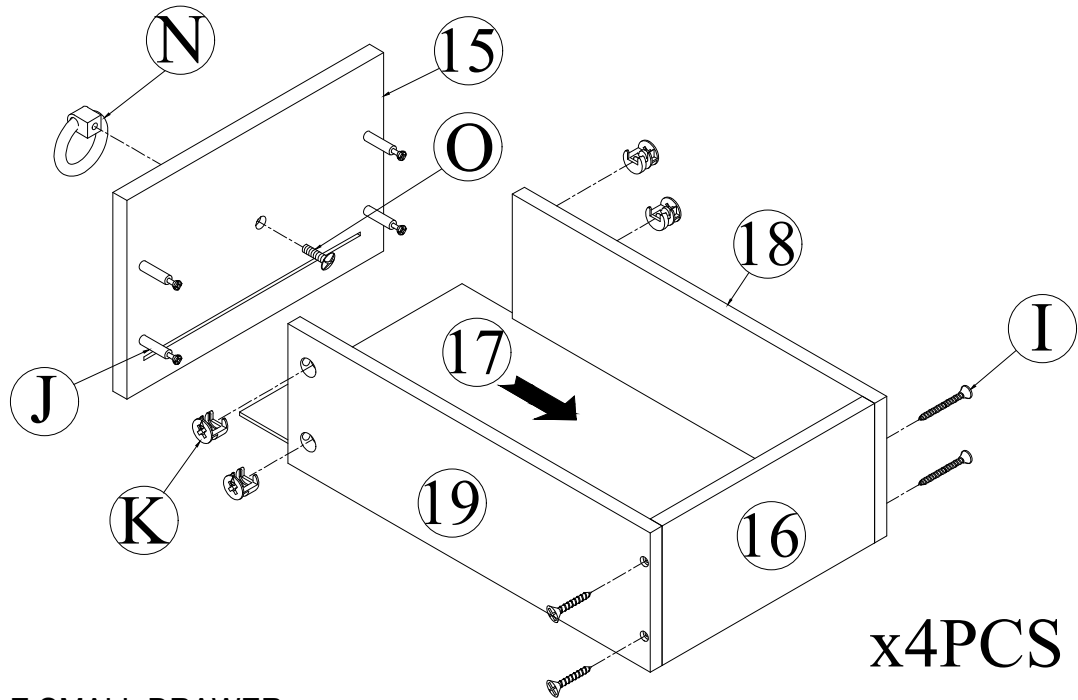
9).ASSEMBLE BIG DRAWER

- PLACE THE PANEL (18/19) INTO THE HOLES IN THE PANEL (13) AND ATTACH USING 4 SCREWS (I)
- SLIDE THE DRAWER BOTTOM PANEL (14) INTO THE TRENCH IN THE PANEL (18/19)
- ROTATE 4 CAM-BOLTS (J) INTO THE HOLES IN THE PANEL (12).
- PLACE THE PANEL (12) INTO THE HOLES IN THE PANEL (18/19) AND ATTACH USING 4 CAM-LOCK (K)
- PLACE THE KNOB (N) INTO THE HOLES IN THE PANEL (12) AND ATTACH USING BOLTS (O)



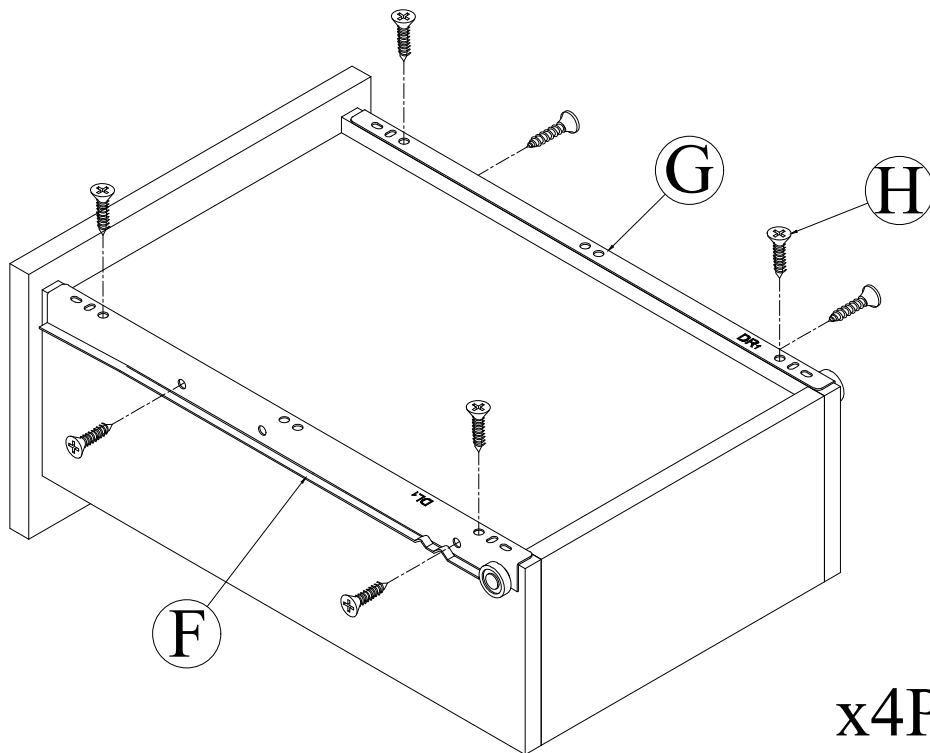
10).ASSEMBLE THE MALE SLIDING (F/G)

- PLACE THE MALE SLIDING (F/G) INTO THE HOLES IN THE PANEL (18/19) AND ATTACH USING 8 SCREWS (H)



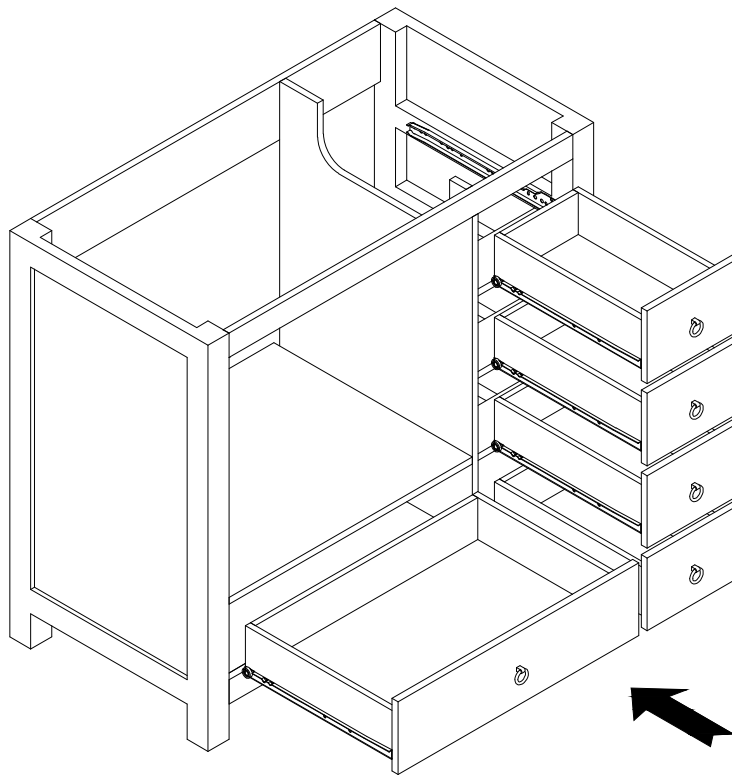
11).ASSEMBLE SMALL DRAWER

- PLACE THE PANEL (18/19) INTO THE HOLES IN THE PANEL (16) AND ATTACH USING 4 SCREWS (I)
- SLIDE THE DRAWER BOTTOM PANEL (17) INTO THE TRENCH IN THE PANEL (18/19)
- ROTATE 4 CAM-BOLTS (J) INTO THE HOLES IN THE PANEL (15).
- PLACE THE PANEL (15) INTO THE HOLES IN THE PANEL (18/19) AND ATTACH USING 4 CAM-LOCK (K)
- PLACE THE KNOB (N) INTO THE HOLES IN THE PANEL (15) AND ATTACH USING BOLTS (O)



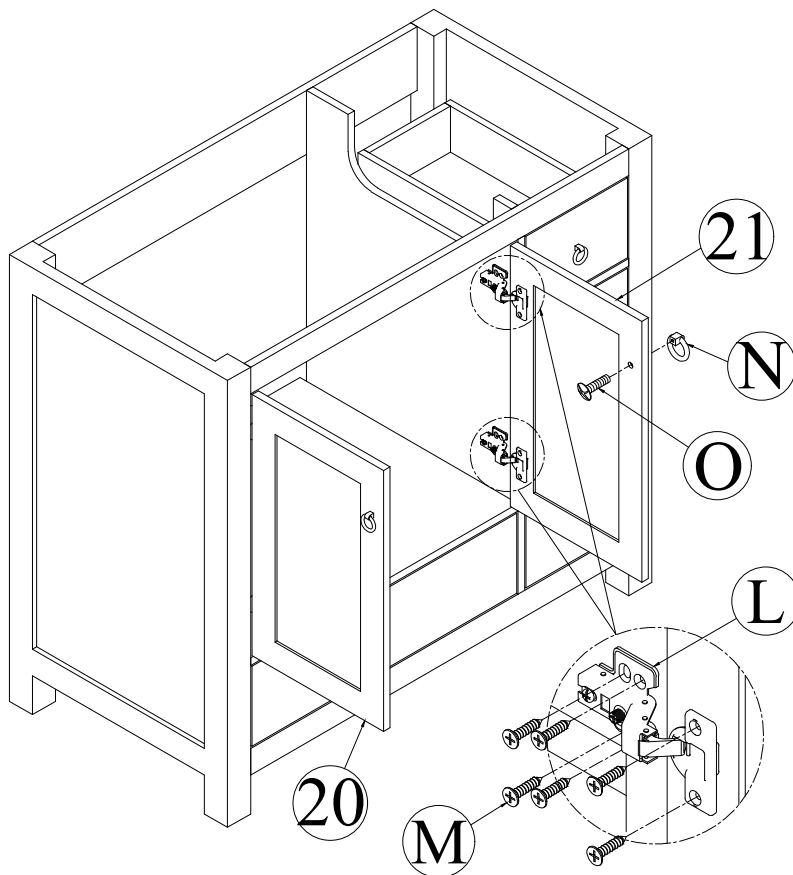
12).ASSEMBLE THE MALE SLIDING (F/G)

- PLACE THE MALE SLIDING (F/G) INTO THE HOLES IN THE PANEL (18/19) AND ATTACH USING 8 SCREWS (H)



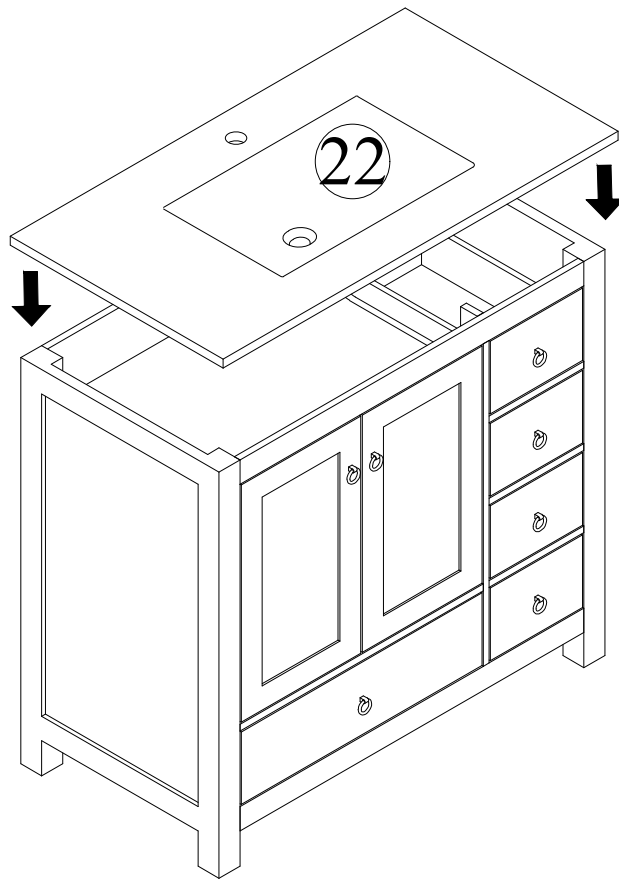
13).ASSEMBLE DRAWER AND MAIN BODY

- SLIDE THE DRAWERS INTO THE SLIDERS-OUTS.



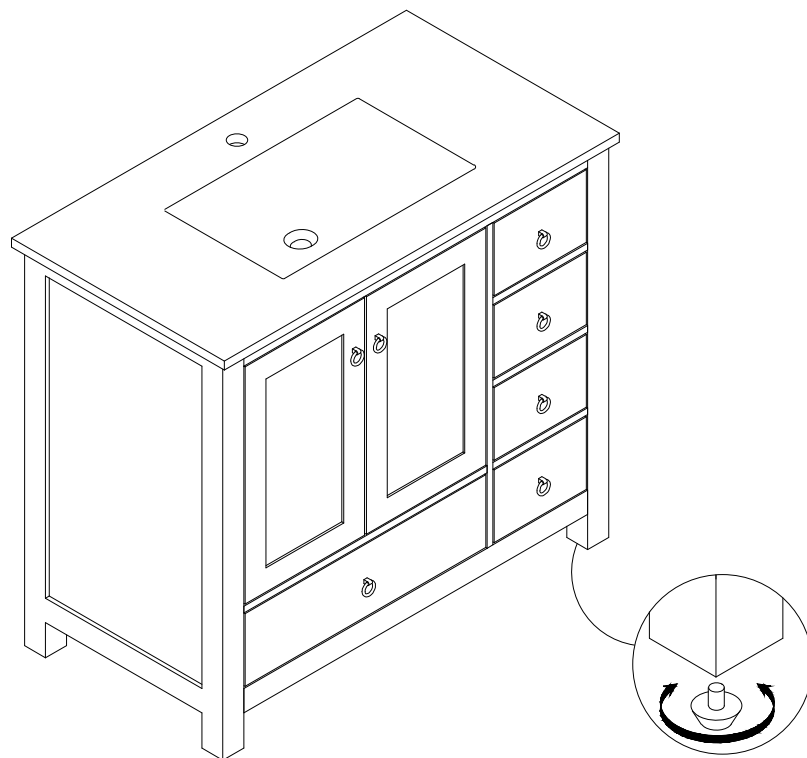
14).ASSEMBLE DOOR(20/21)

- PLACE 4 HINGES (L) INTO THE PANEL (20/21) AND ATTACH USING 24 SCREWS (M)
- PLACE THE KNOB (N) INTO THE HOLES IN THE PANEL (14/15) AND ATTACH USING BOLTS (O)



15).ASSEMBLE SINK

- PLACE THE SINK (22) INTO THE MAIN BODY



16).TWIST THE ADJUSTTBLE FEET TO ENSURE THAT MAIN BODY IS LEVEL AN STEADY