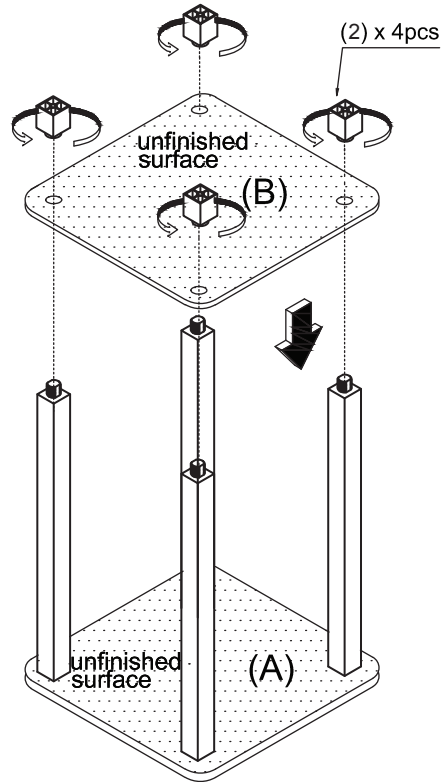
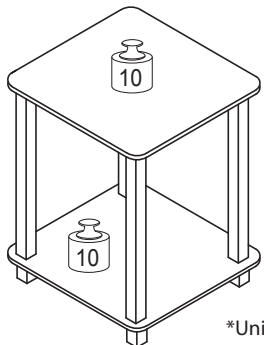


## STEP 2

Attach Panel (B) and tighten Square Leg (2), as shown.



### Recommended Maximum Weight



\*Unit in Pound(lbs)

#### **WARNING:**

>This unit has been designed to support the maximum loads shown. Exceeding these load limits could cause sagging, instability, product collapse, and/or serious injury.

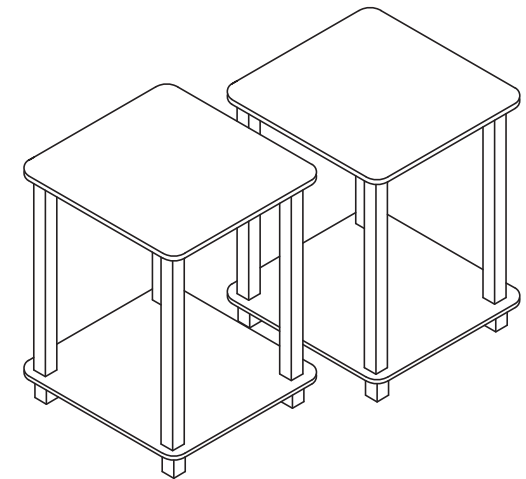
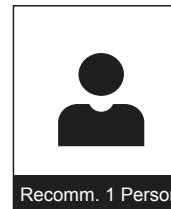
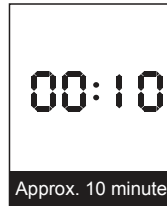
>DO NOT allow children to climb on unit.

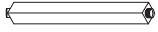

>Put heavier items on lower shelves.

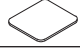

## **Assembly Instruction**

Set of Two End Table

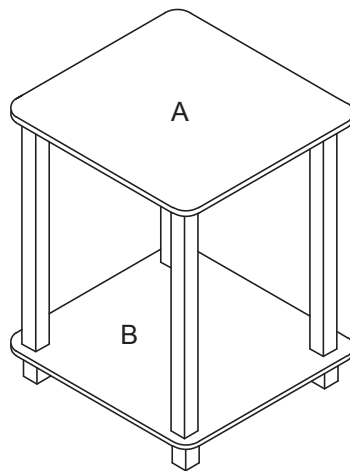
2 in 1)



| No | Hardware List  | Qty  |
|----|--|------|
| 1  | SQ.Long Pole  | 8pcs |
| 2  | Square Leg    | 8pcs |

| No | Parts List  | Qty  |
|----|---|------|
| A  | Top Panel    | 2pcs |
| B  | Shelf Panel  | 2pcs |

Note: All hardware quantity are for two set.



**USEFUL HINTS BEFORE YOU START:**

1. Read each step carefully before starting.
2. It is important that each step is performed in correct order to avoid difficulties.
3. Identify, sort and count the parts before assembly.
4. Assemble your furniture on packaging cardboard to prevent scratch or damage.
5. Clean the product with mild cleanser using soft damped cloth. Do not use harsh or abrasive cleanser.
6. Using incompatible hardware might cause damage to product.

**STEP 1**

Tighten Pole (1) to Panel (A), as shown.

