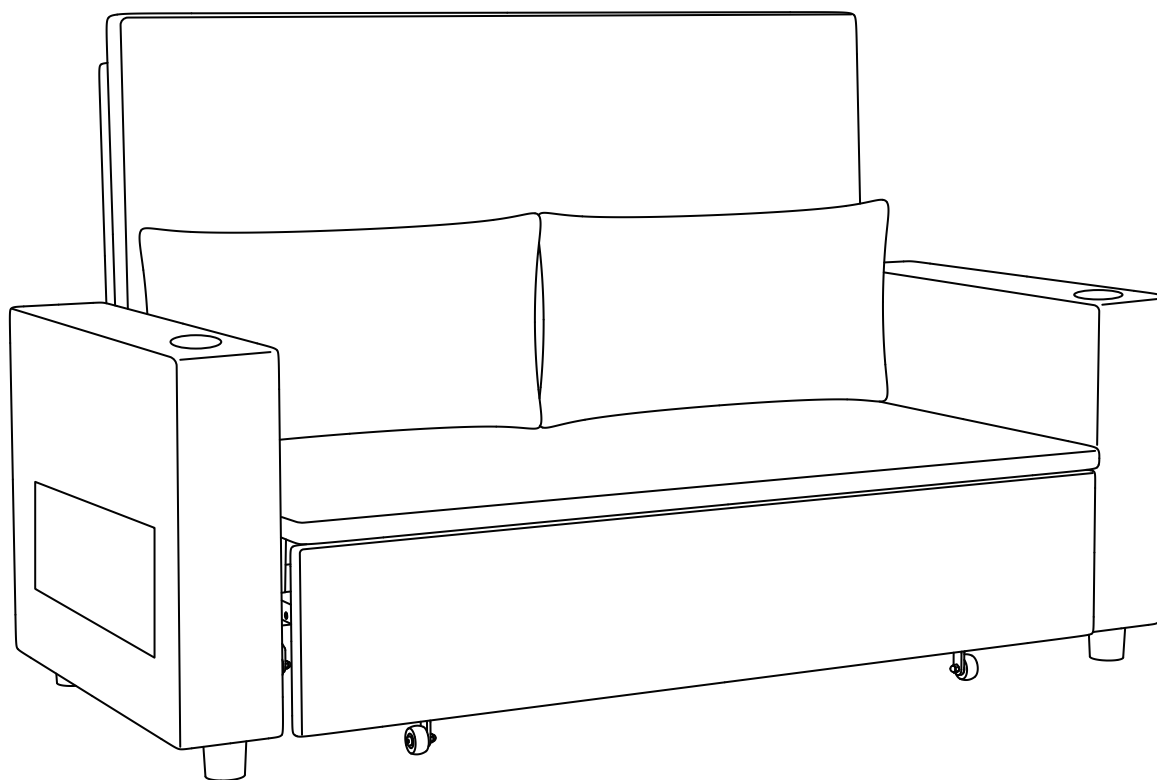

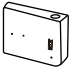

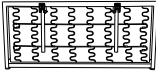

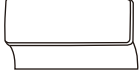






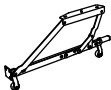







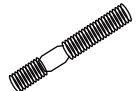








# INSTRUCTION MANUAL



# COMPONENTS

LABEL		DESCRIPTION	QTY
A1		Left armrest	1
A2		Right armrest	1
B		Seat cushion	1
C1		Back frame	1
C2		Hinge	1
C3		Back cushion	1
D1		Activity box seat pad	1
D2		Back cushion	2
E1		Sofa Leg	4
E2		Plastic Gasket	4
E3		Felt foot pad	4
F1		Right scroll wheel	1
F2		Left scroll wheel	1
G		Seat frame crossbar	1

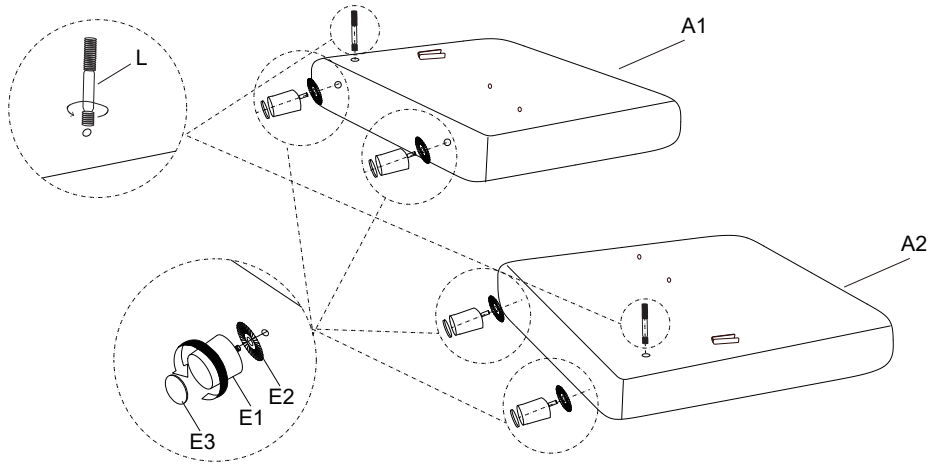
# COMPONENTS

LABEL		DESCRIPTION	QTY
H		Barrier	1
I		Wooden pork rib strips	1
J		Rear support rod	1
K		M6 shim	2
L		Double ended screws M8 *45	6
M		M6*35	2
N		M6*15	12
O		Nut	4
P		M8 shim	4
Q		M6*25	4
R		Pull connecting rod	1
S		Allen key	1
T		Wrench	1

# ASSEMBLY STEPS

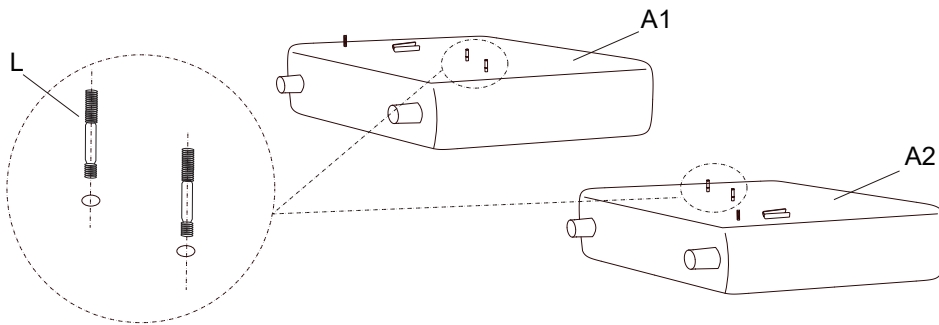
## Step 1

Install the armrest sofa feet and limit screws.



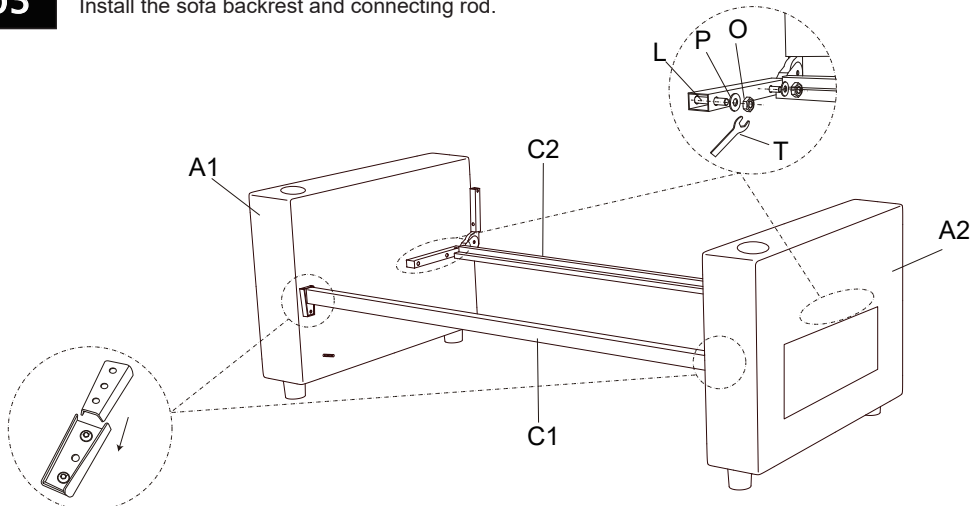
## Step 2

Install the double-headed screw.



## Step 3

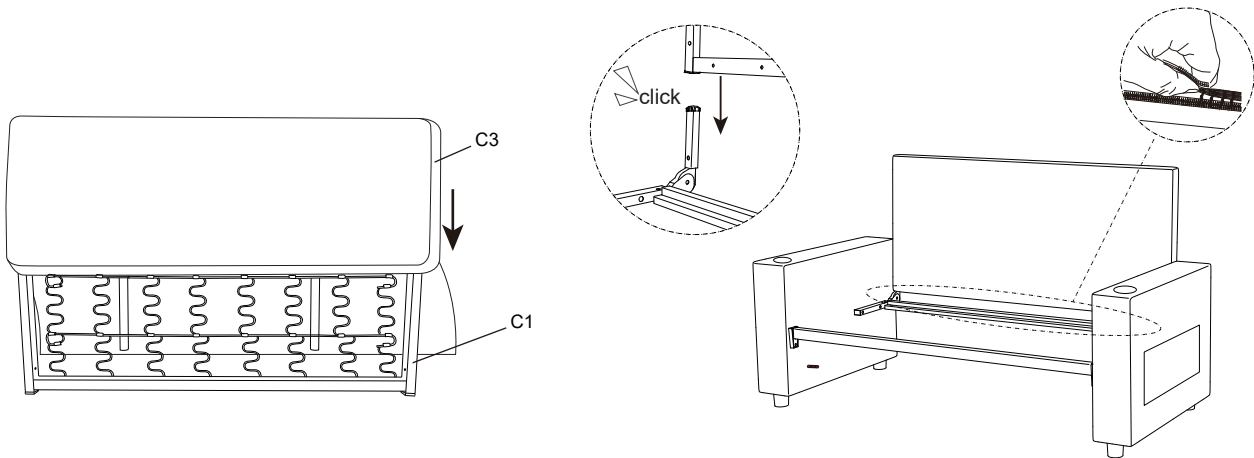
Install the sofa backrest and connecting rod.



# ASSEMBLY STEPS

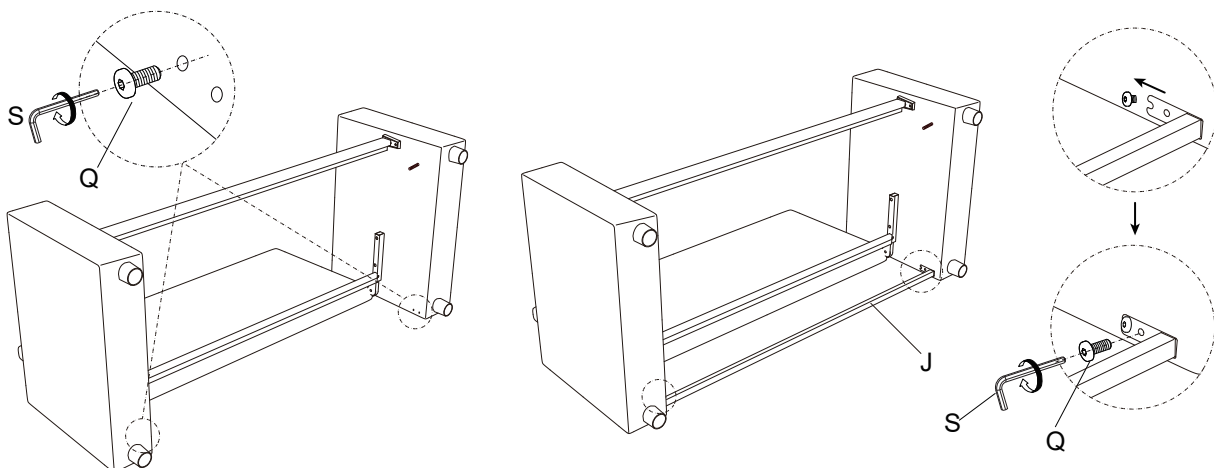
## Step4

Install the back frame and hinge, Insert on both sides simultaneously. Then adhere the Velcro strip at the bottom of the backrest to that on the bottom of the backrest iron frame.



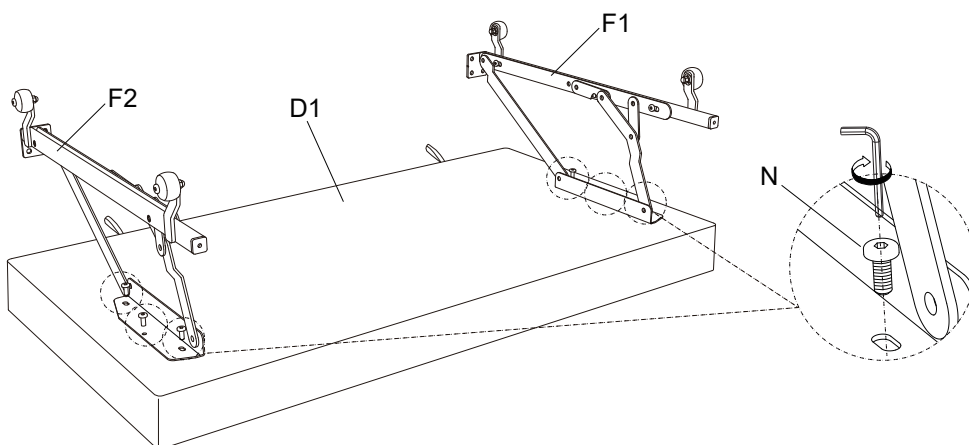
## Step5

Install the backrest reinforcement frame.



## Step6

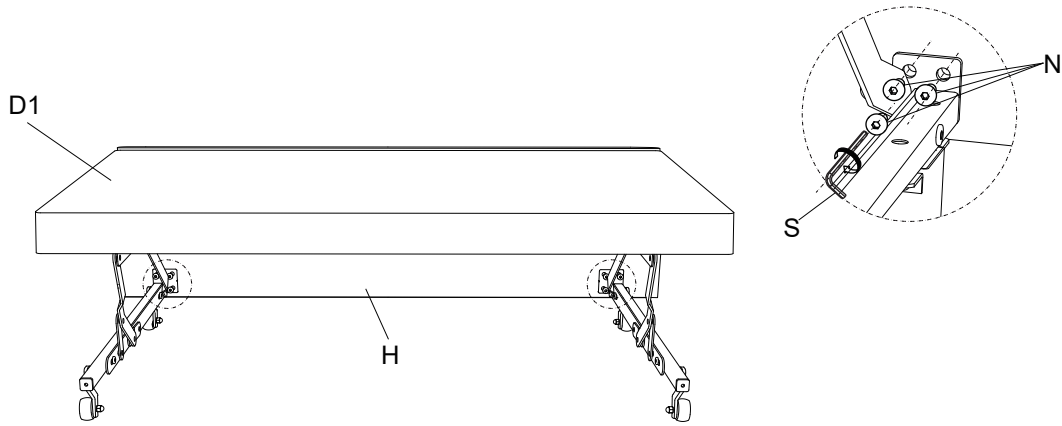
Install activity seat cushion.



# ASSEMBLY STEPS

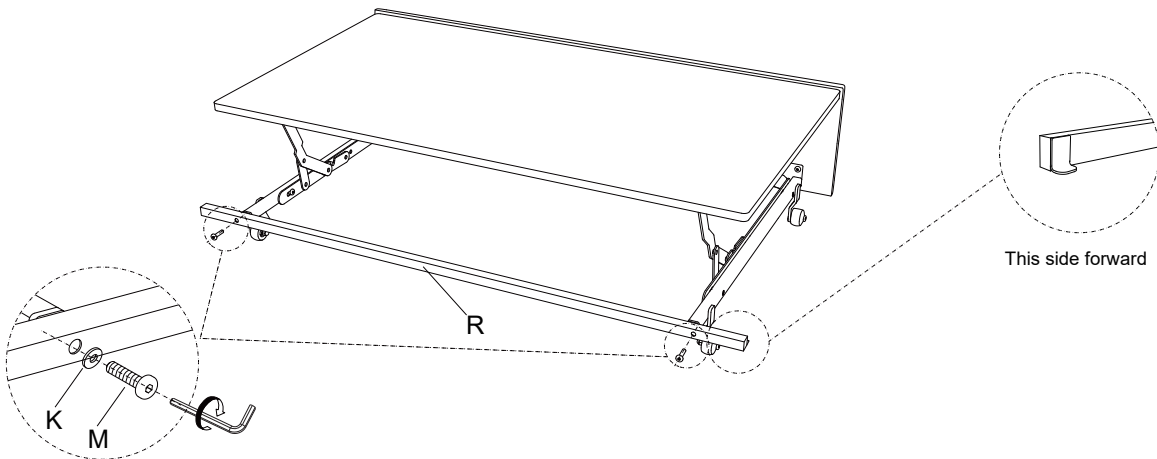
## Step 7

Install activity box seat pad.



## Step 8

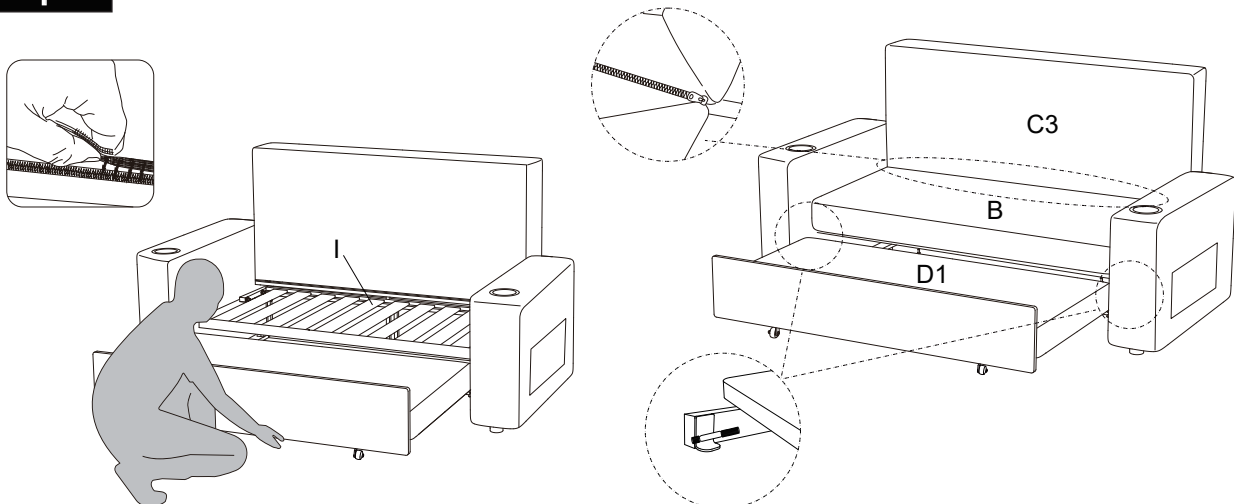
Install the pull connecting rod.



Note: After all components are assembled, tighten all screws.

## Step 9

Stick the slats and seat cushion soft package, place the movable frame cushion.



# ASSEMBLY STEPS

## Step 10

Sofa configuration display.

