

## WARRANTY

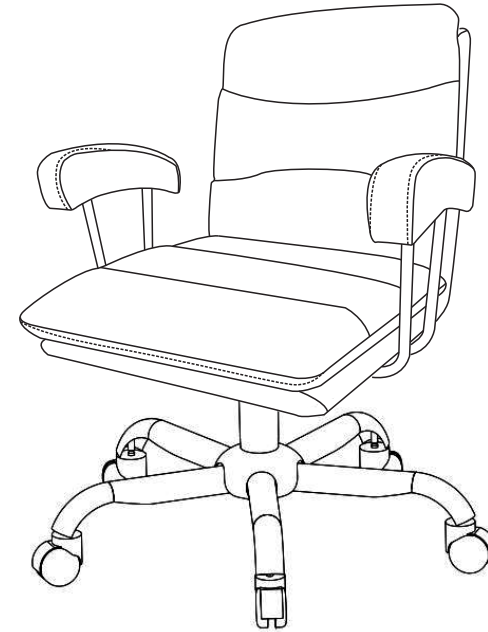
1. We strive to offer high-quality products, and we also try our best to satisfy each and every customer that orders from us with product or service as needed.
2. We provide 30 days warranty starting from the time you receive the item. Each customer must provide a record of their order such as the order number, or item receipt for an item that is out of the warranty period you may also still receive.
3. Replacement parts by purchasing them with our company if they are available.

Are you having difficulty  
With assembly? Missing parts?  
Please send email with your order No to

For return, please check the return policy with  
the retailer or market place you bought from.

Appreciate your purchasing from us.  
Pop up your life by our furniture piece!

## INSTALLATION MANUAL



---

### NOTE:

---

This brochure contains IMPORTANT safety info. Please read  
and keep for future reference.

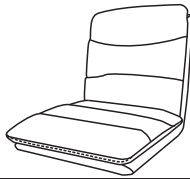

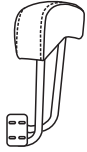
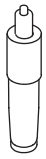
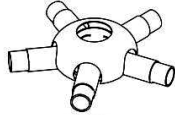

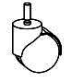
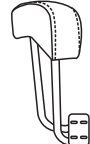
---

## MAINTAINANCE AND WARNING




- 1.Keep furniture away from heat sources.
- 2.Do not clean furniture with harsh cleaner or polishes.Do not use detergents,solvents,abrasives,spray packs or leather cleaner. Use non-color mild soa with warm water to clean spills(Mix 1:10 soap to water).
- 3.Do not place furniture under direct sunlight,material will possibly fade over time.
- 4.Do not use on site dry cleaning machine.Children should not climb or jump on the furniture.
- 5.Do not write on furniture that is not protectedby a padded barrier.
- 6.Not for commercial use,only for residential use.




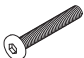
## PARTS LIST

A	x1	B	x1	C	x1	D	x1
							
Seat frame		Mechanism		Right armrest		Gas hat	
E	x1	F	x5	G	x5	H	x1
							
Base arm		Foot tube		Casters		Left armrest	

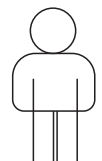
## HARDWARE LIST

#1	x10	#2	x12	#3	x1
					
Bolt		Bolt		Allen Key	
M6*12		M6*18		M6	

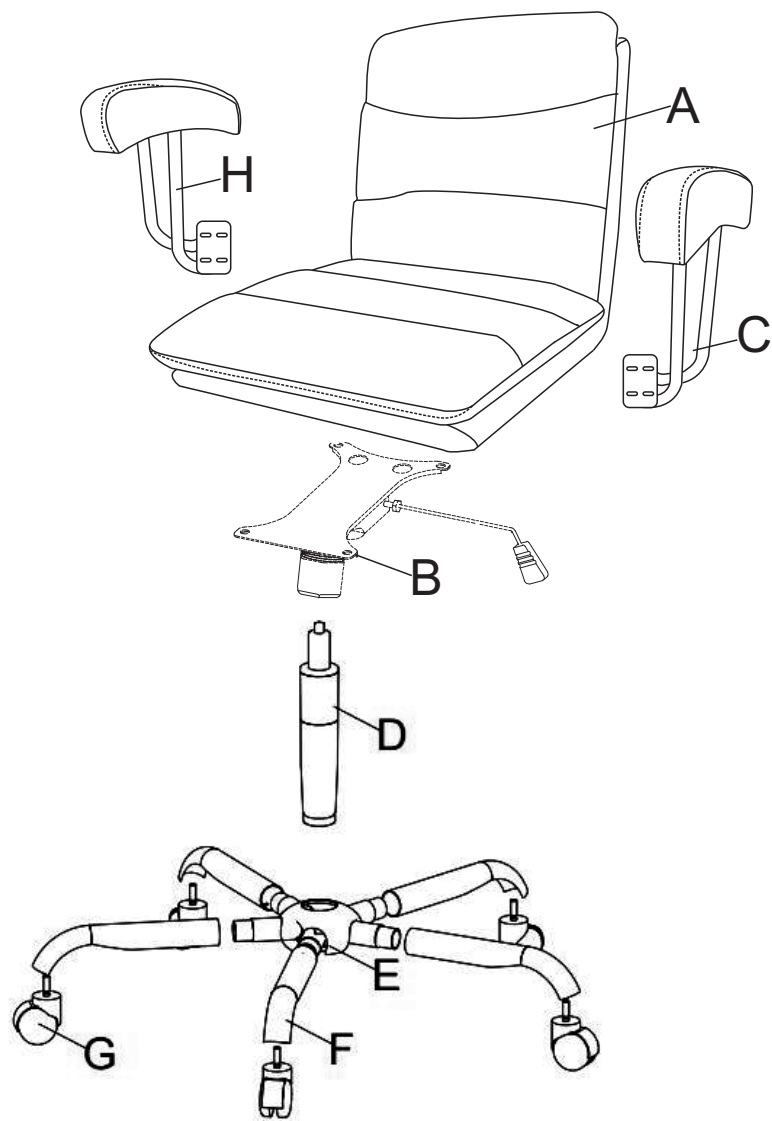
## HARDWARE SPARE LIST

#1	x1	#2	x1
			
Bolt		Bolt	
M6*12		M6*18	

1 Personen



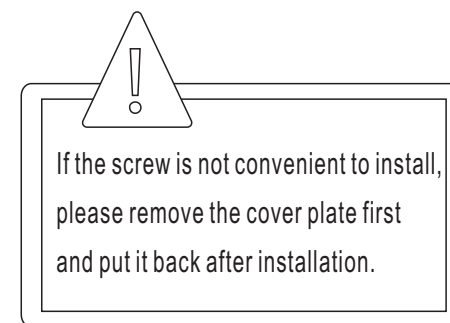
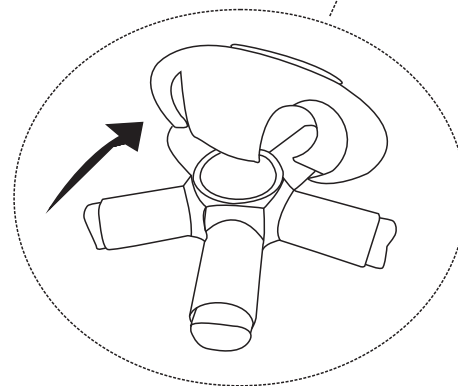
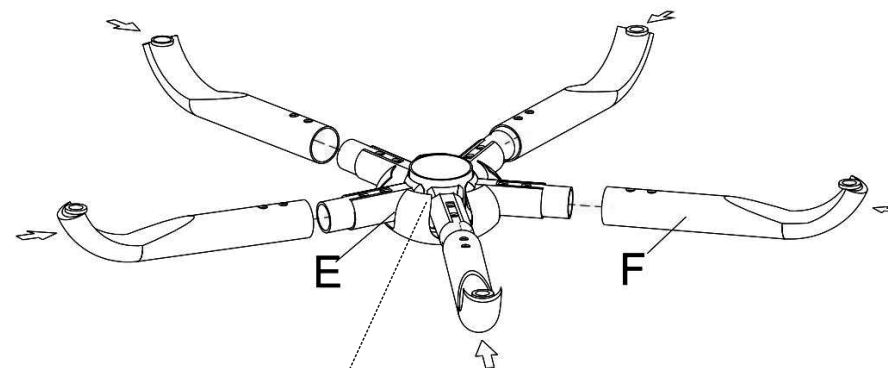
## ASSEMBLY INSTRUCTIONS



Overview


## ASSEMBLY INSTRUCTIONS

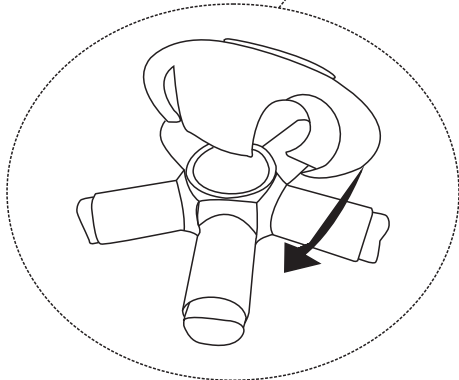
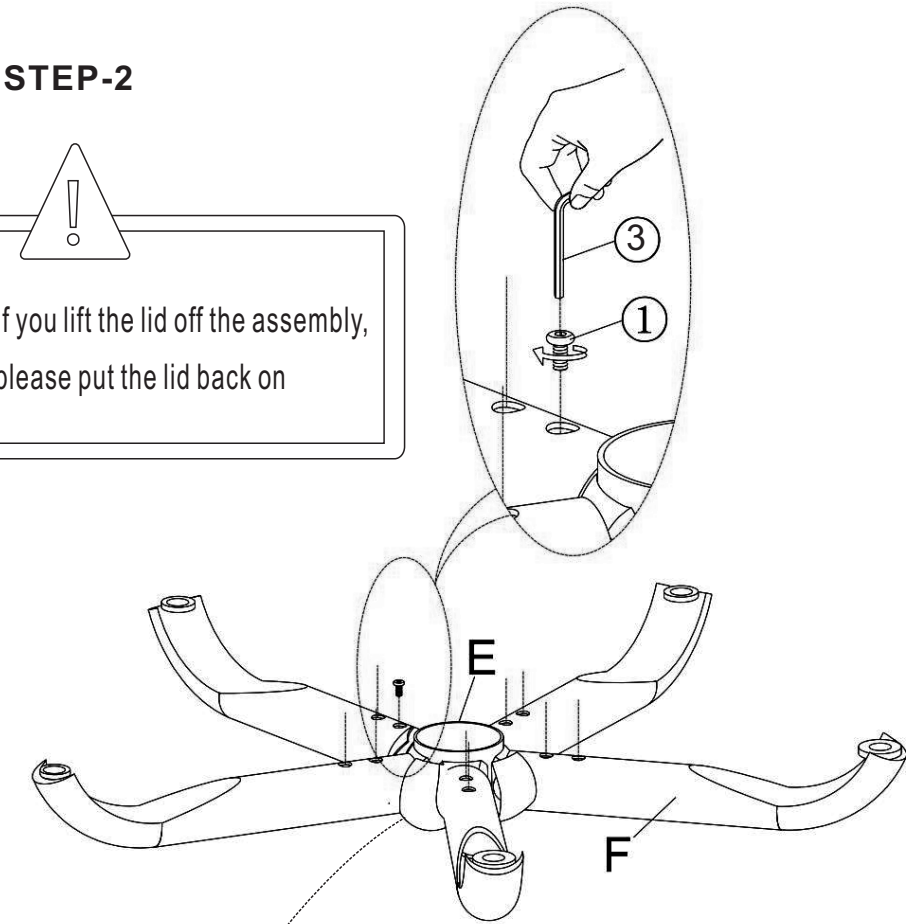
### STEP-1


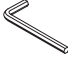


# ASSEMBLY INSTRUCTIONS

## STEP-2

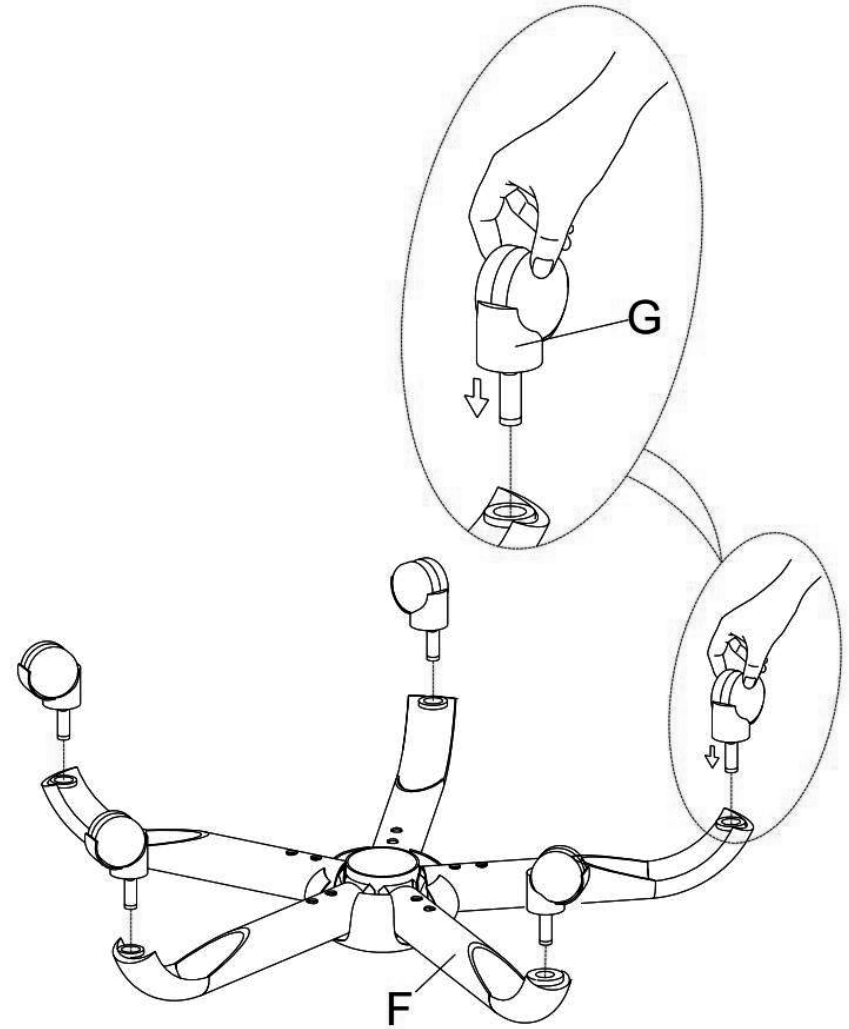
  
If you lift the lid off the assembly,  
please put the lid back on



#1	x10	#3	x1
			
Bolt		Allen Key	
M6*12		M6	

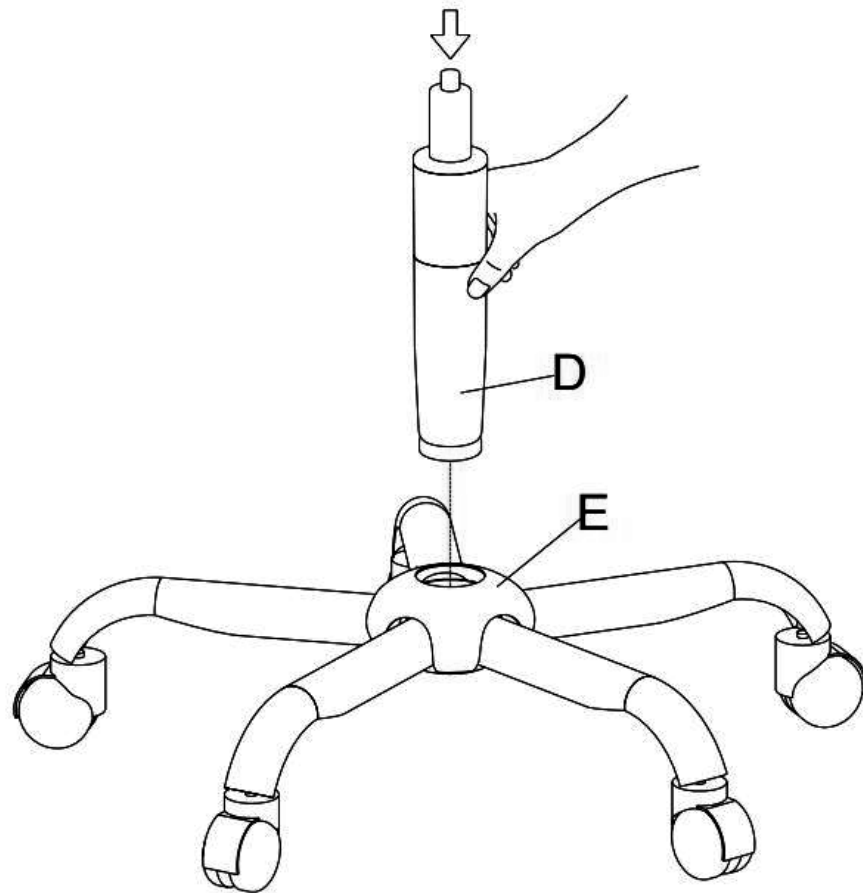
# ASSEMBLY INSTRUCTIONS

## STEP-3



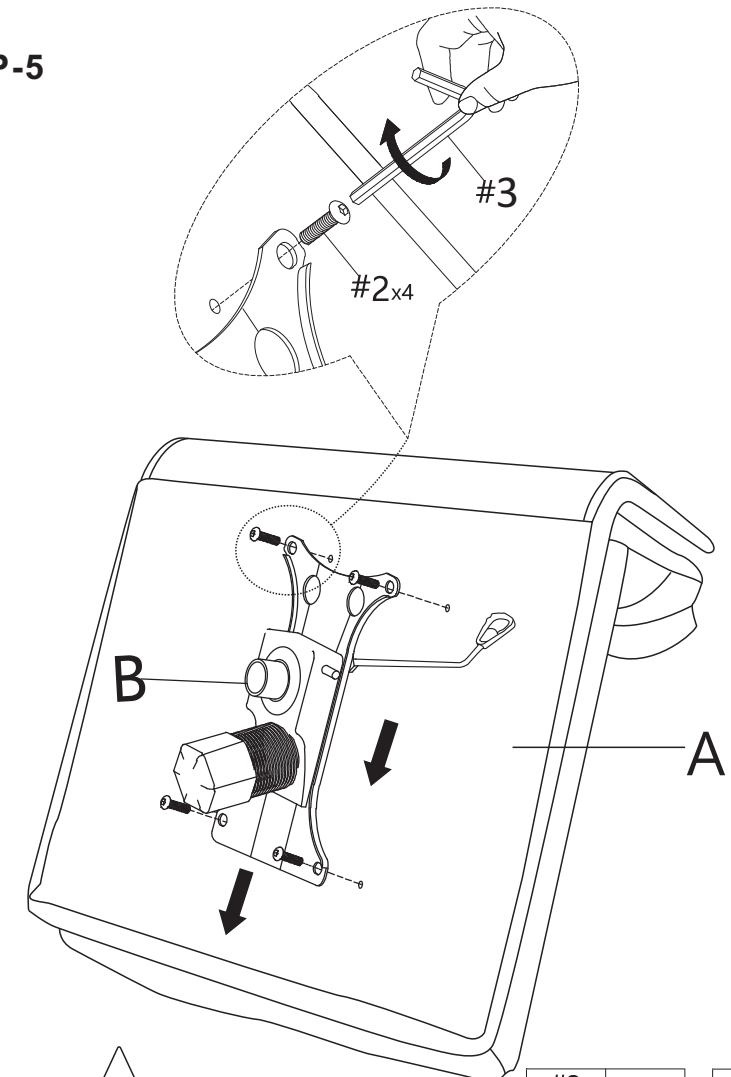
# ASSEMBLY INSTRUCTIONS


## STEP-4

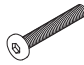



# ASSEMBLY INSTRUCTIONS

## STEP-5

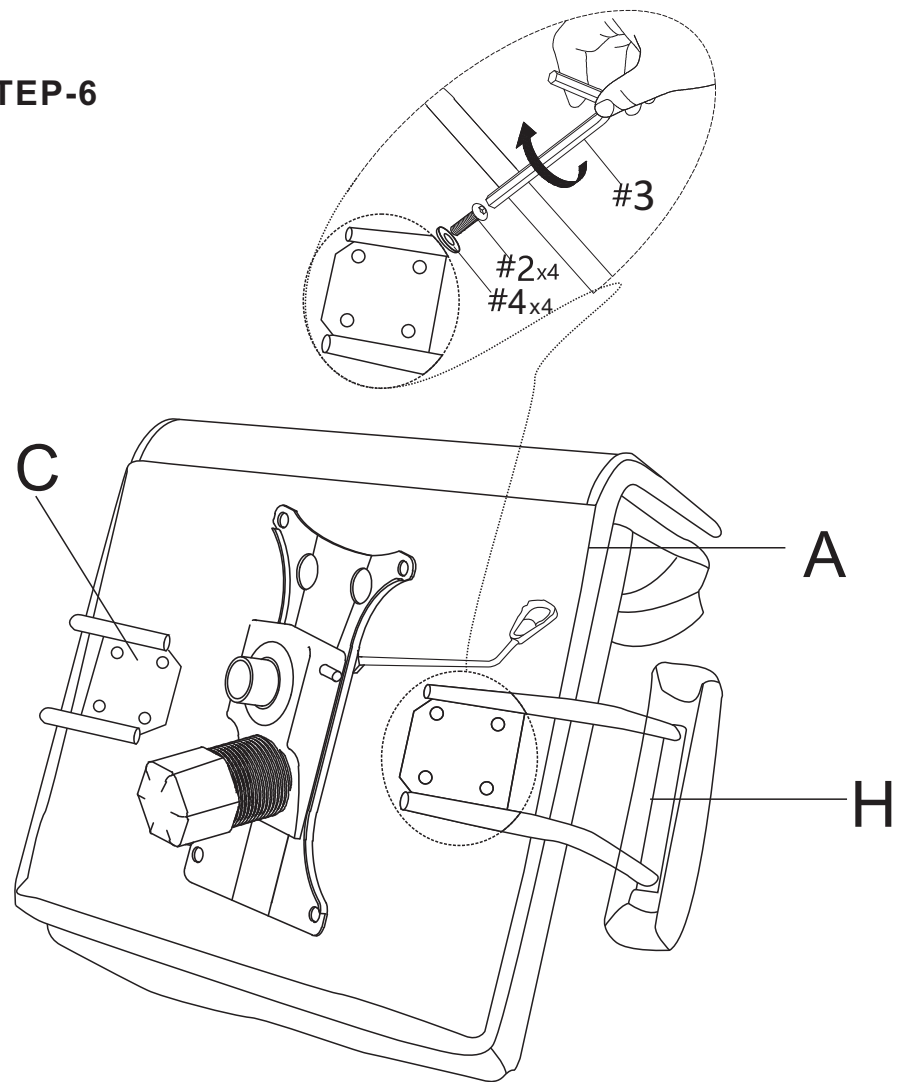


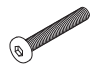

  
The installation tray is mounted  
down the arrow

#2	x4	#3	x1
			
Bolt		Allen Key	
M6*18		M6	

# ASSEMBLY INSTRUCTIONS

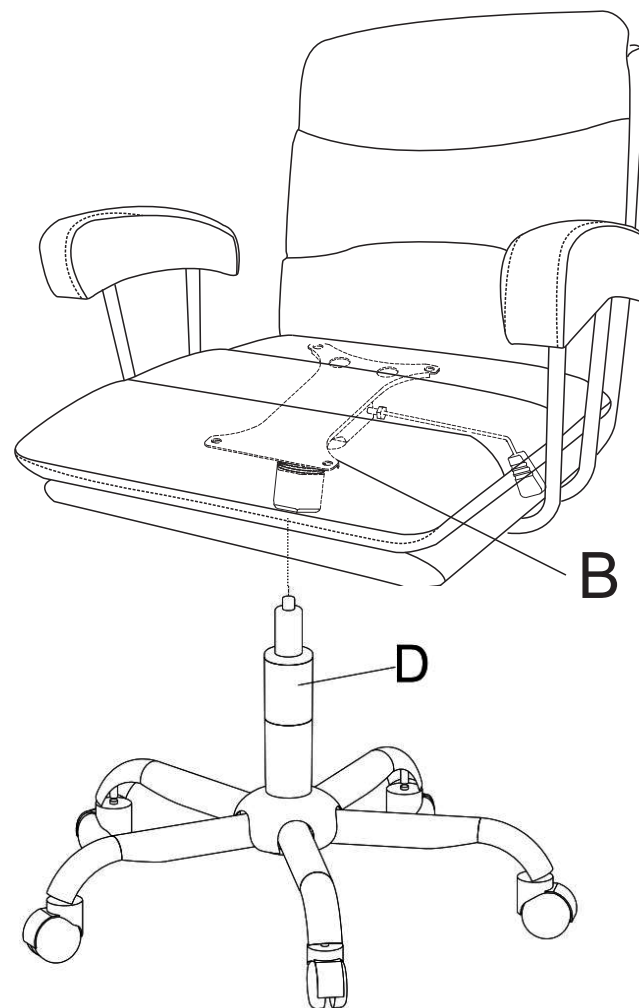
## STEP-6



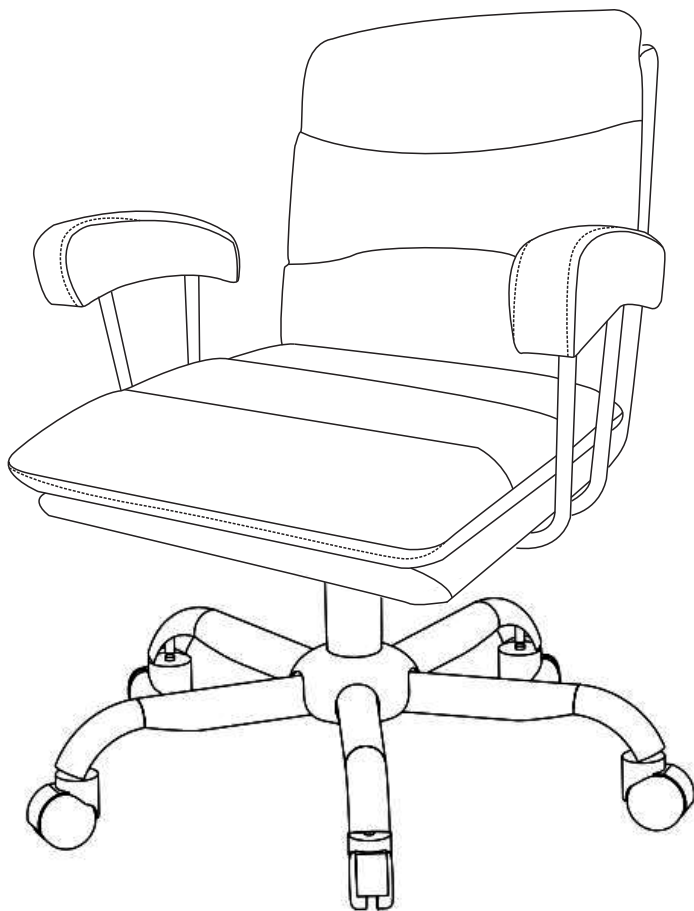
#2	x8	#3	x1
			
Bolt M6*18		Allen Key M6	

# ASSEMBLY INSTRUCTIONS

## STEP-7



## STEP 8



Assembly completed.