

# HEADBOARD







Full / Queen

Examine all packaging material for small parts that may have come loose during shipment. Periodic checks are recommended to insure that all components are in proper position, tight and free from damage. Keep this assembly instruction for future reference. Adult assembly is required.

HDFBP

## HARDWARE LIST

- A (4) M6 x 60mm Long Allen Bolts
- B (4) M6 x 25mm Short Allen Bolts
- C (4) Flat Washers
- D (4) Spring Washers
- E (4) Hex Nuts
- F (1) Allen Wrench

PART	QTY	HARDWARE	PART	QTY	HARDWARE
A	4		B	4	
C	4		D	4	
E	4		F	1	

## PARTS LIST

- G (1) Headboard Panel
- H (2) Leg Extensions
- I (2) Adapter Plates

FIGURE 2

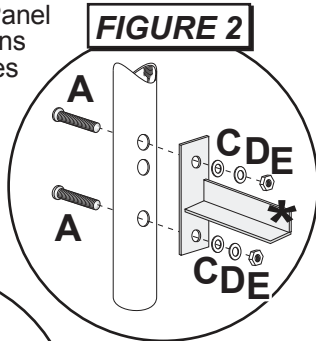


FIGURE 3

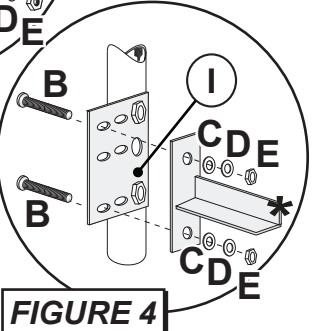
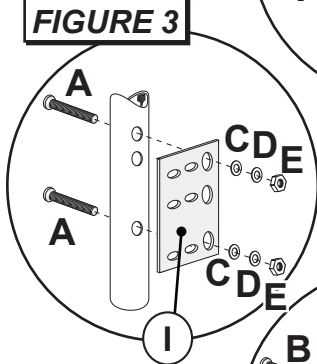
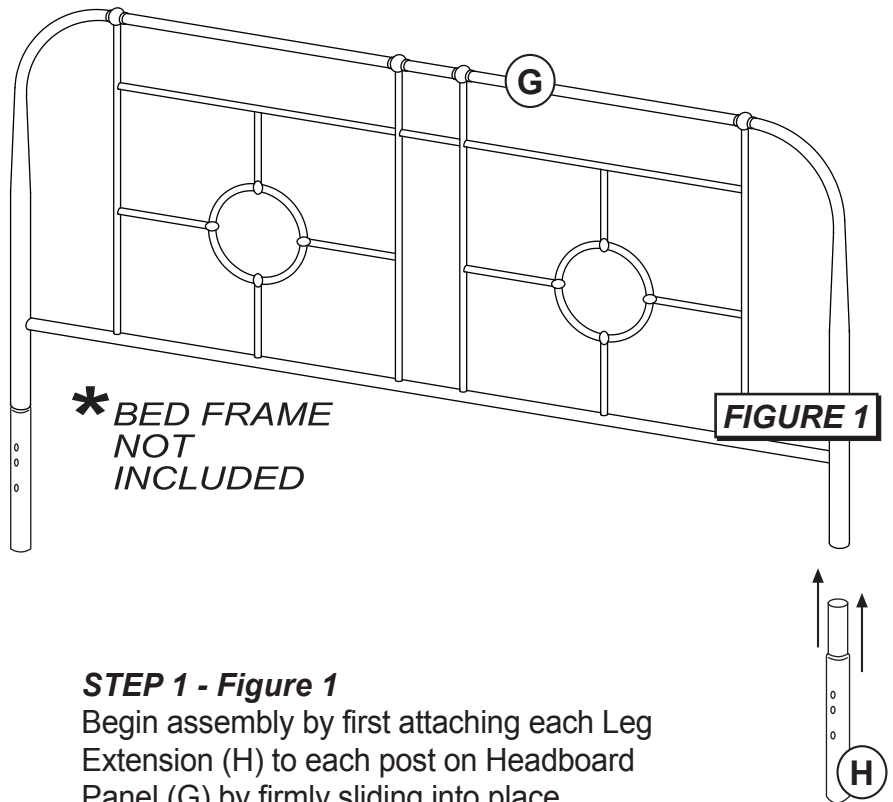


FIGURE 4



### STEP 2 - Figure 2 - For Queen Size Only

Attach Bed Frame (\*Not Included) to each Leg Extension (H) using 2 Long Allen Bolts (A) from the back side, 2 Flat Washers (C), 2 Spring Washers (D) & 2 Hex Nuts (E) per side. Tighten all bolts using Allen Wrench (F) provided. Discard remaining hardware ONLY IF this is for Queen Size Headboard. See Steps 3 & 4 for Full Size Assembly ONLY.

### STEP 3 - Figure 3 - For Full Size Bed Only

Attach Adapter Plate (I) to each Leg Extension (H) using 2 Long Allen Bolts (A), 2 Flat Washers (C), 2 Spring Washers (D) & 2 Hex Nuts (E) per plate. Tighten all bolts.

### STEP 4 - Figure 4 - For Full Size Bed Only

Attach Bed Frame (\*Not Included) to each Adapter Plate (I) using 2 Short Allen Bolts (B), 2 Flat Washers (C), 2 Spring Washers (D) & 2 Hex Nuts (E) per plate. Tighten all bolts. The assembly is now complete.

**CARE & MAINTENANCE:** The touch of a soft cloth is all the maintenance the finish will ever need. Please do not use harsh or abrasive cleaners for polishing, as they may cause damage to the finish. Periodic checks are recommended to make sure that all hardware is securely tightened.