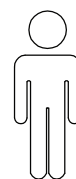
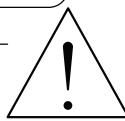
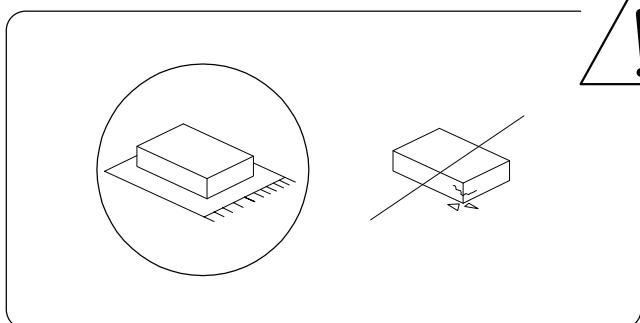
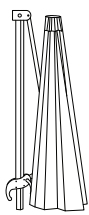
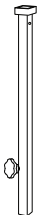
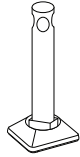

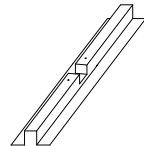
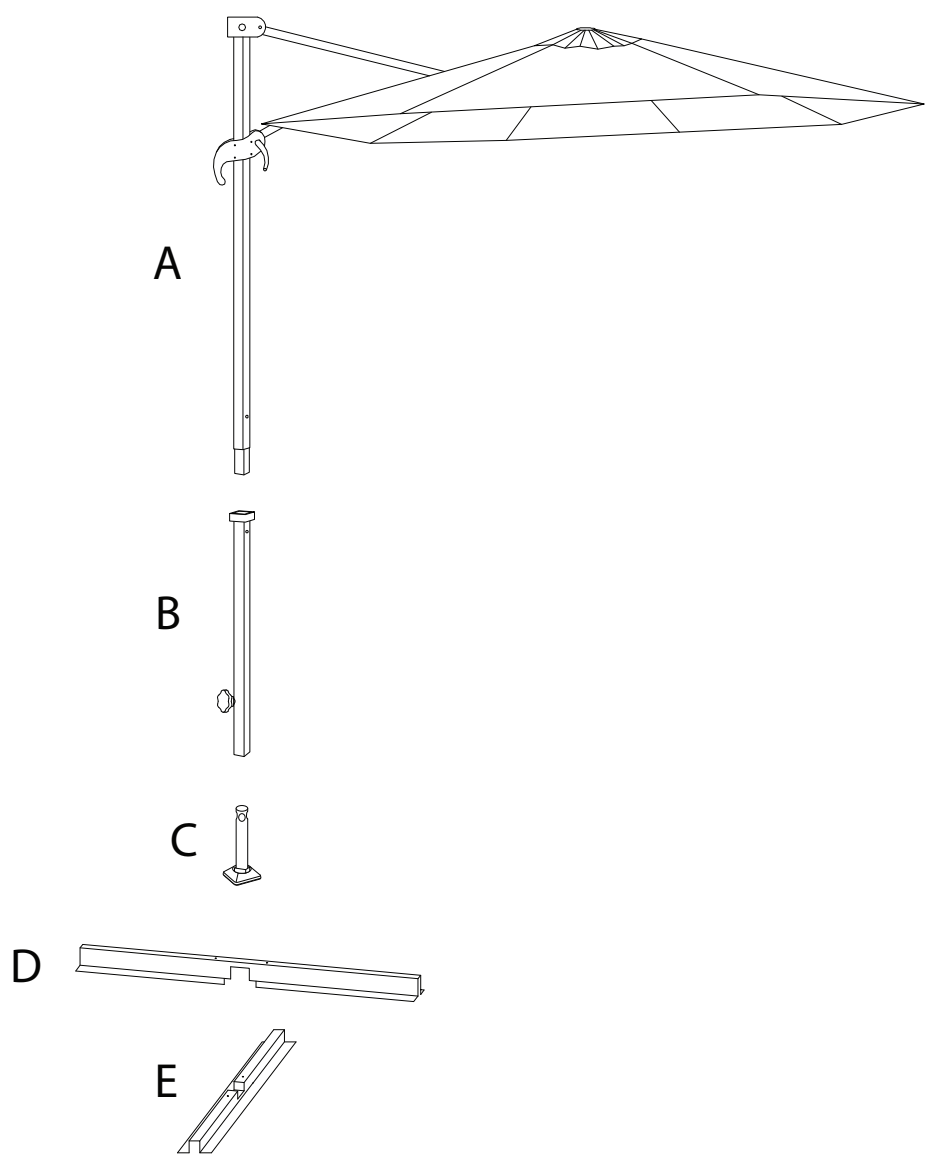


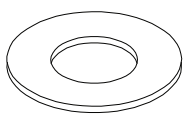
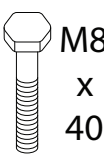

15'



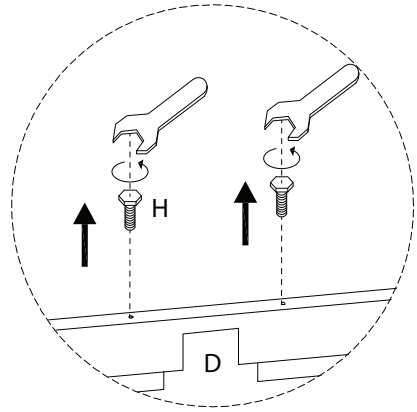
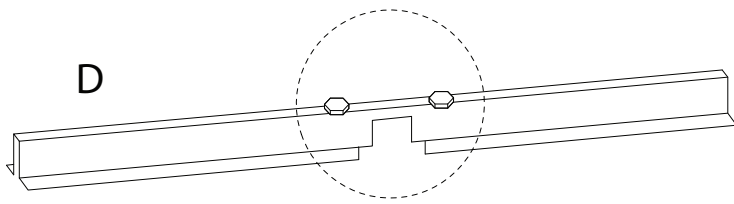
1

A	B	C	D	E
				
x 1	x 1	x 1	x 1	x 1

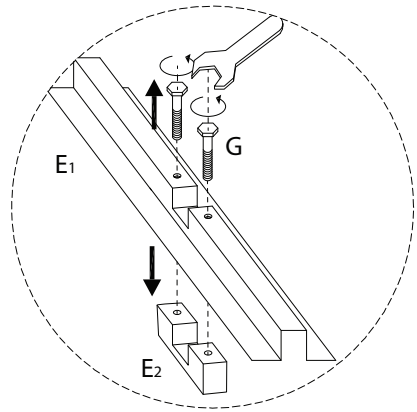
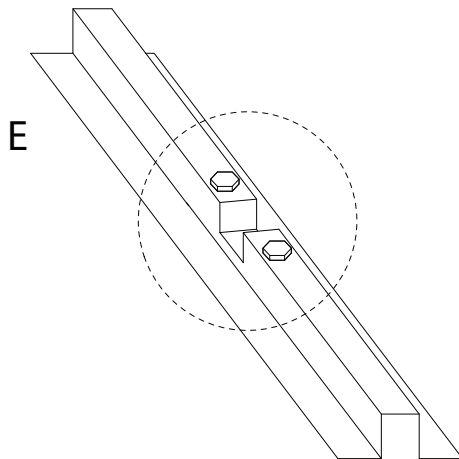


E	F	G
		
x 4	x 2	x 2

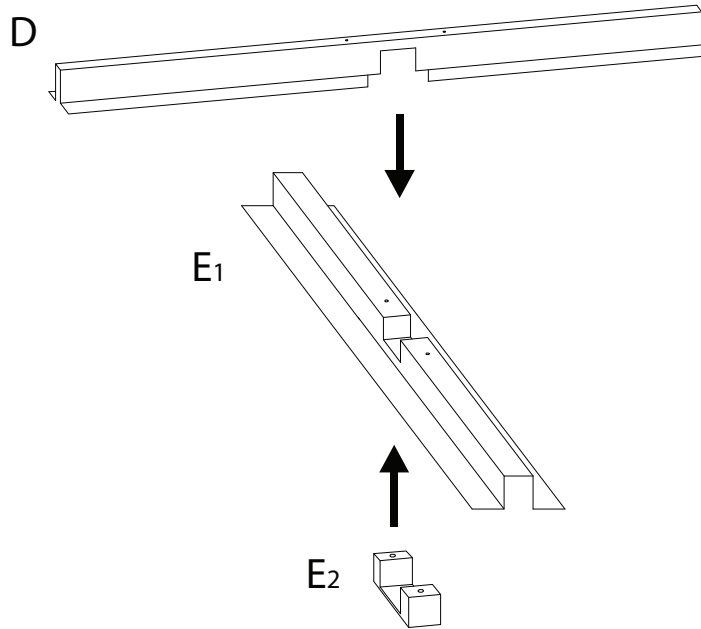
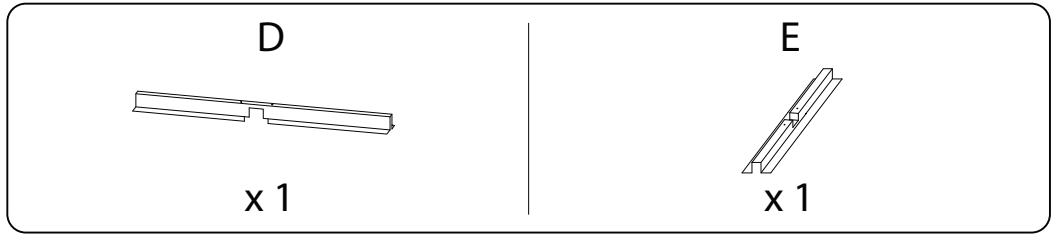
!



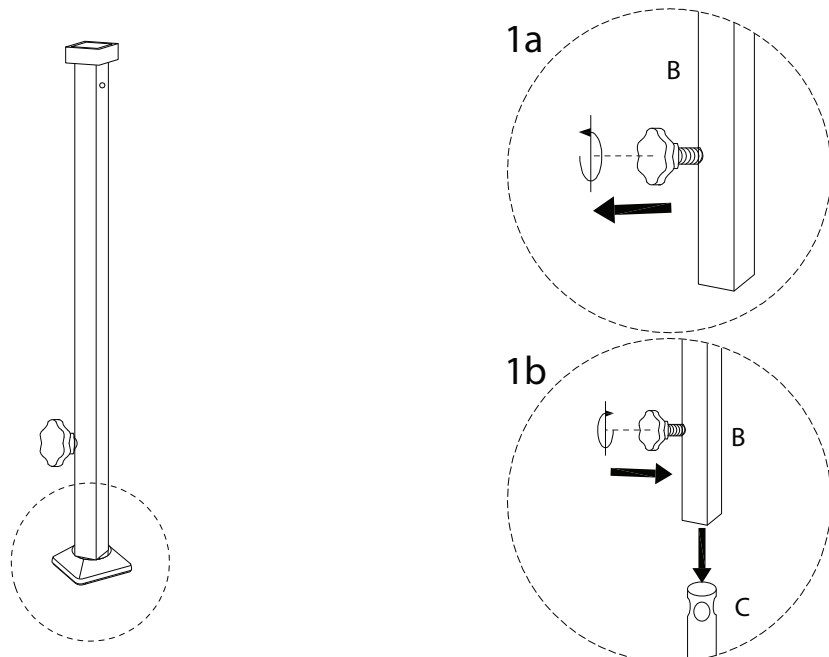
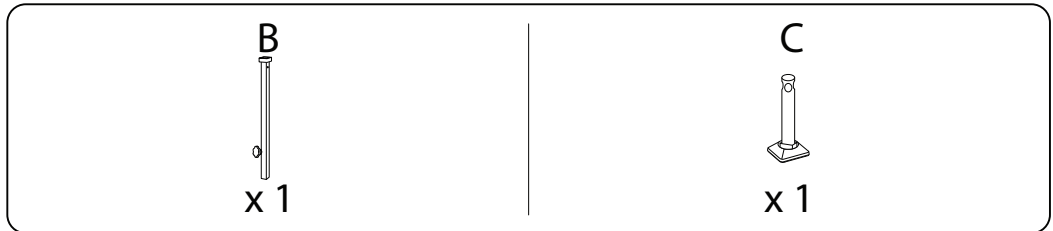
!



1

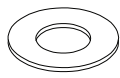


2



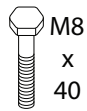
3

F



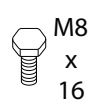
x 4

G

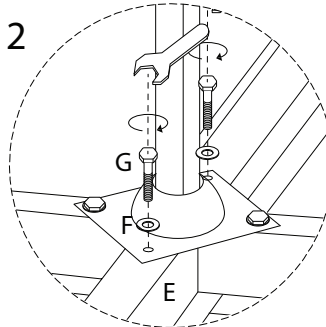
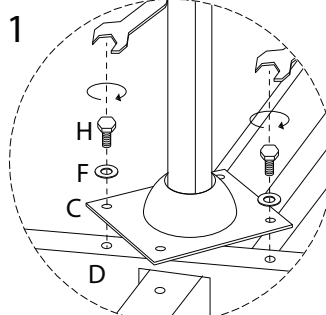
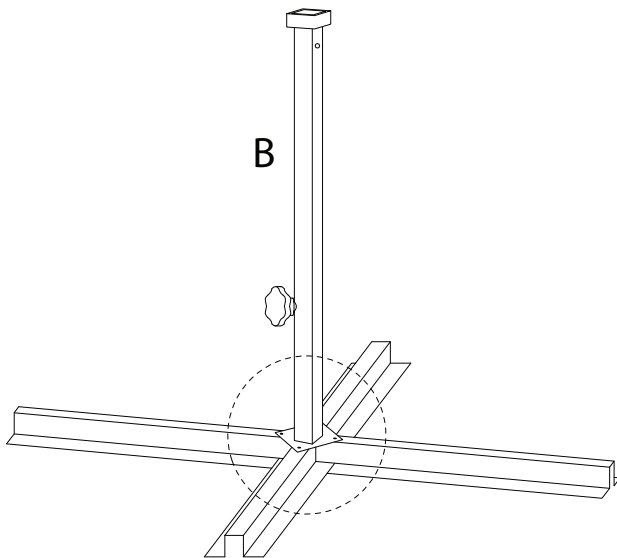


x 2

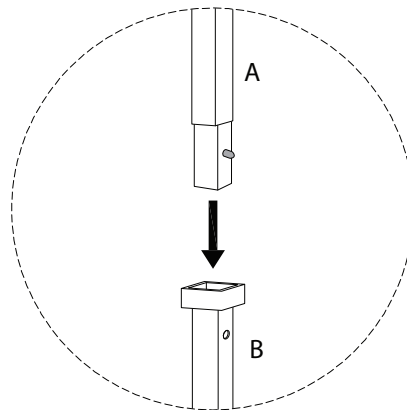
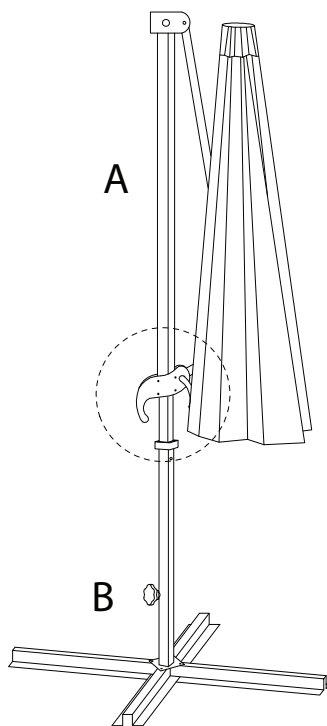
H



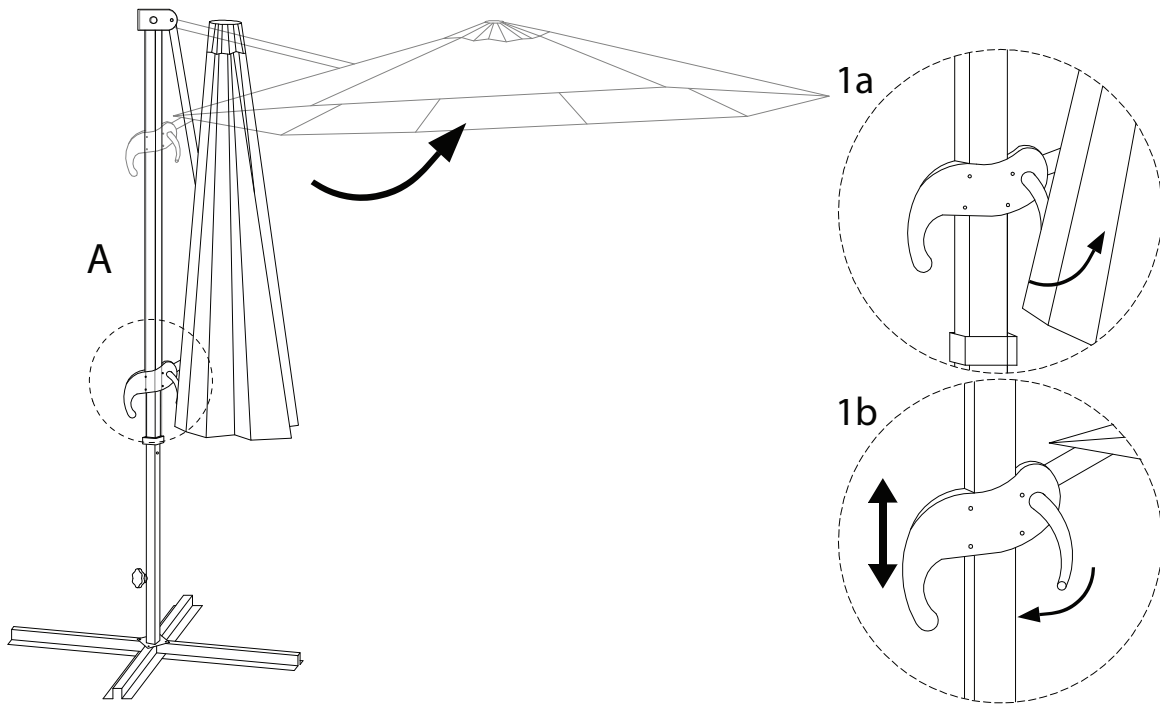
x 2



4



5



6

