

ASSEMBLY INSTRUCTIONS



**HALL
TREE**

ASSEMBLY INSTRUCTIONS

ASSEMBLY TIPS:

1. Remove hardware from box and sort by size.
2. Please check to see that all hardware and parts are present prior to start of assembly.
3. Please follow attached instructions in the same sequence as numbered to assure fast & easy assembly.



WARNING!

1. Don't attempt to repair or modify parts that are broken or defective. Please contact the store immediately.
2. This product is for home use only and not intended for commercial establishments.

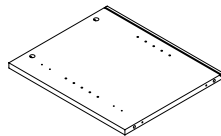


ASSEMBLY TIME

60 MINUTES

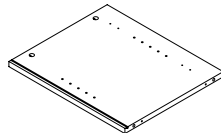
PARTS IDENTIFICATION

A LEFT SIDE
PANEL



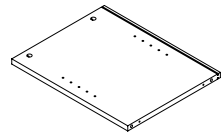
1 PC

B RIGHT SIDE
PANEL



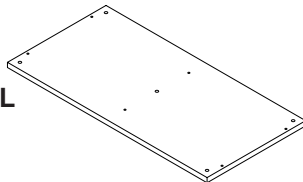
1 PC

C MIDDLE DIVIDER
PANEL



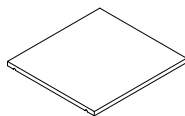
1 PC

D BOTTOM PANEL



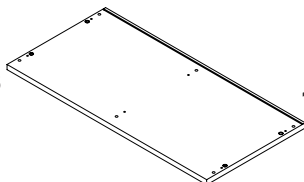
1 PC

E ADJUSTABLE
PANEL



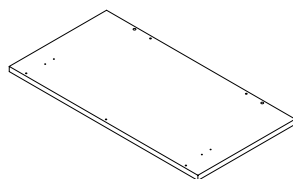
2 PCS

F MIDDLE CROSS
PANEL



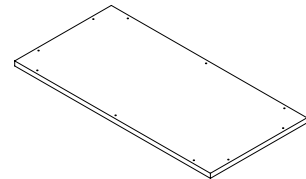
1 PC

G UPPER CROSS
PANEL



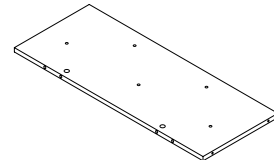
1 PC

H TOP PANEL



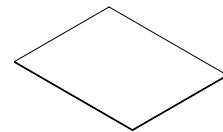
1 PC

I UPPER BACK
PANEL



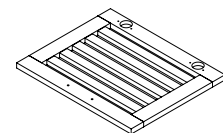
1 PC

J LOWER BACK
PANEL



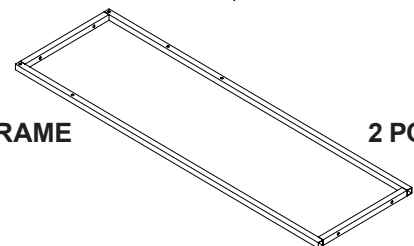
2 PCS

K DOOR



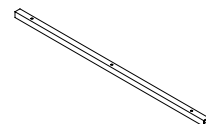
2 PCS

L METAL FRAME



2 PCS

M CROSSBAR

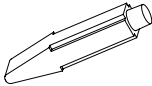
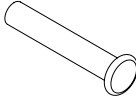
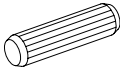

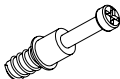





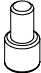
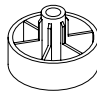
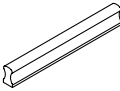



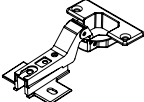

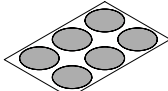
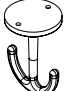


3 PCS

NOTE:

Phillips head screw driver is required in the assembly process; however, manufacturer does not provide this item.

HARDWARE IDENTIFICATION

Z							
NO	DESCRIPTION	FIGURE	Q'TY	NO	DESCRIPTION	FIGURE	Q'TY
1	GLUE 15g		1 PC	12	HOOK 60mm BLK		5 PCS
2	WOODEN DOWEL ø8x30mm		14 PCS	13	BOLT M6x28mm BLK		5 PCS
3	CAM BOLT ø7x35.5mm SR		8 PCS	14	BOLT M6x38mm BLK		10 PCS
4	CAM LOCK ø15x12mm SR		8 PCS	15	BOLT Ø7x50mm BLK		4 PCS
5	SCREW Ø4.5x42mm SR		6 PCS	16	SCREW ø5x33mm BLK		13 PCS
6	PIN FOR ADJUSTABLE SHELF Ø4.9x15mm SR		8 PCS	17	FOOT ø35xH19mm		5 PCS
7	HANDLE L= 120mm BLK		2 PCS	18	ALLEN WRENCH 4mm SR		1 PC
8	HANDLE BOLT Ø4x28mm BLK		4 PCS	19	FIXER		6 PCS
9	HINGE Ø35mm SR		4 PCS	20	FIXER SCREW Ø3x19mm SR		10 PCS
10	HINGE SCREW ø4x15mm SR		16 PCS	21	STICKER ø20mm		2 PCS
11	HOOK BLK		2 PCS				

Z7,Z8,Z9,Z11,Z17 not included in blister packaging.

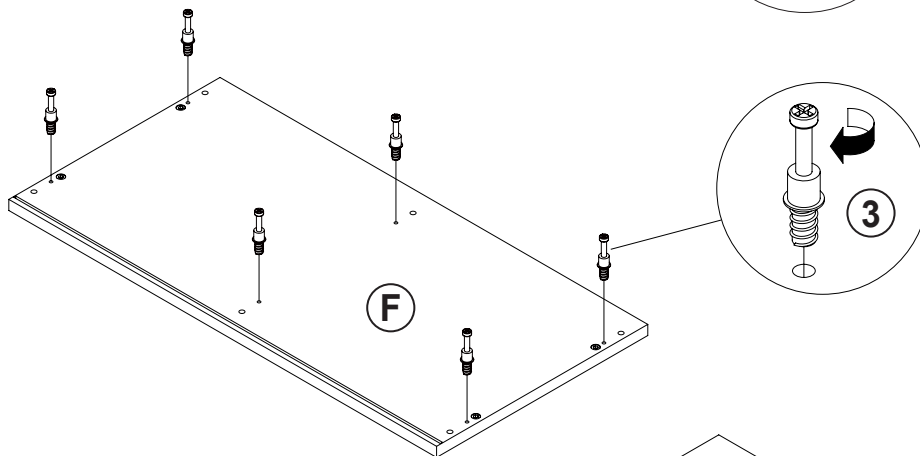
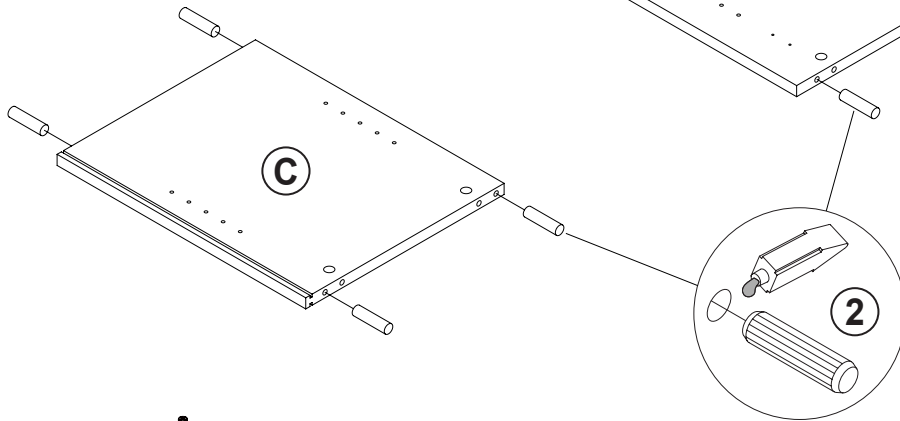
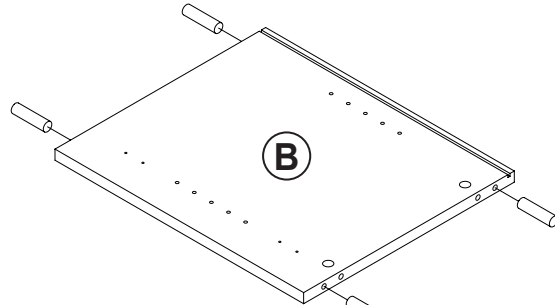
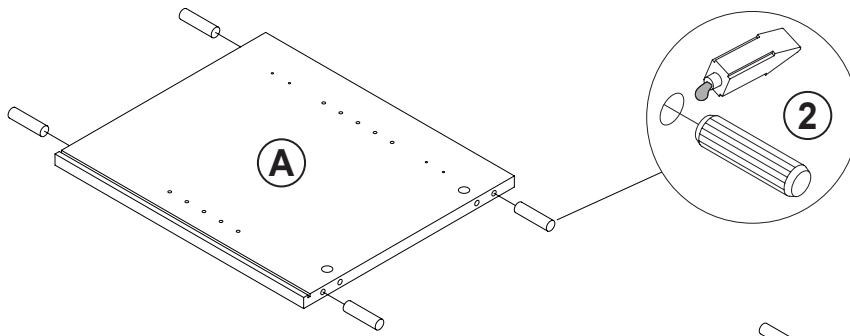
NOTE:

Phillips head screw driver is required in the assembly process; however, manufacturer does not provide this item.

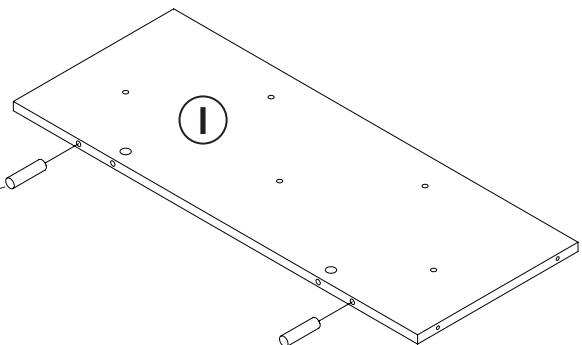
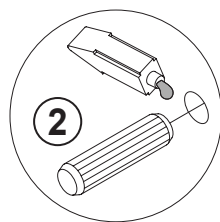
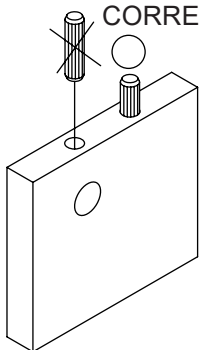
STEP 1

2
x 14

3
x 6

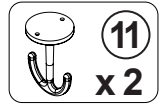
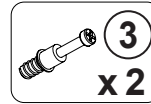
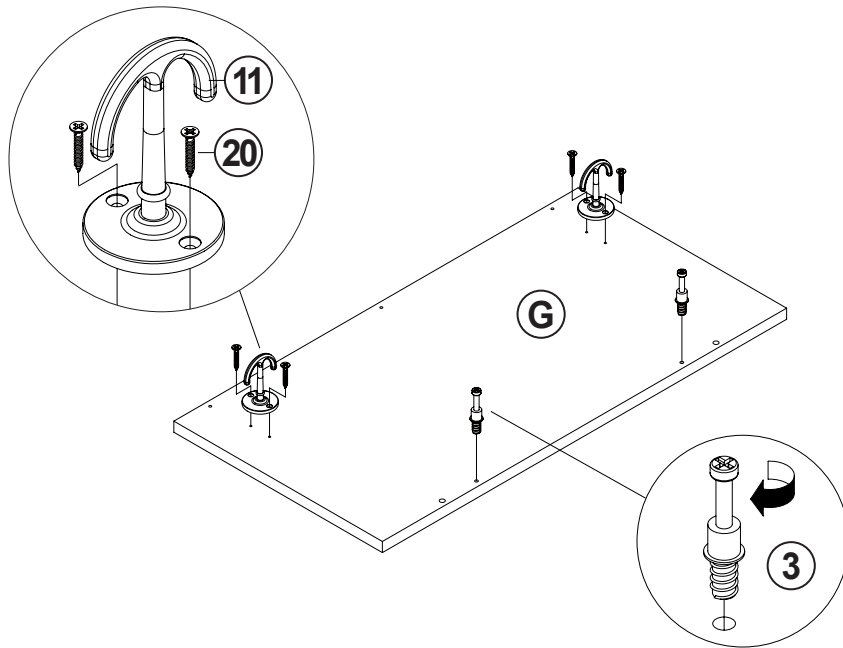


INCORRECT
CORRECT

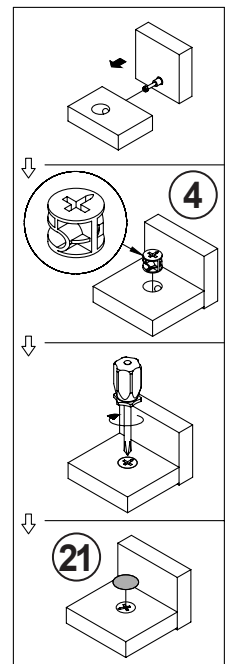
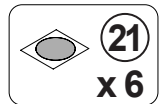
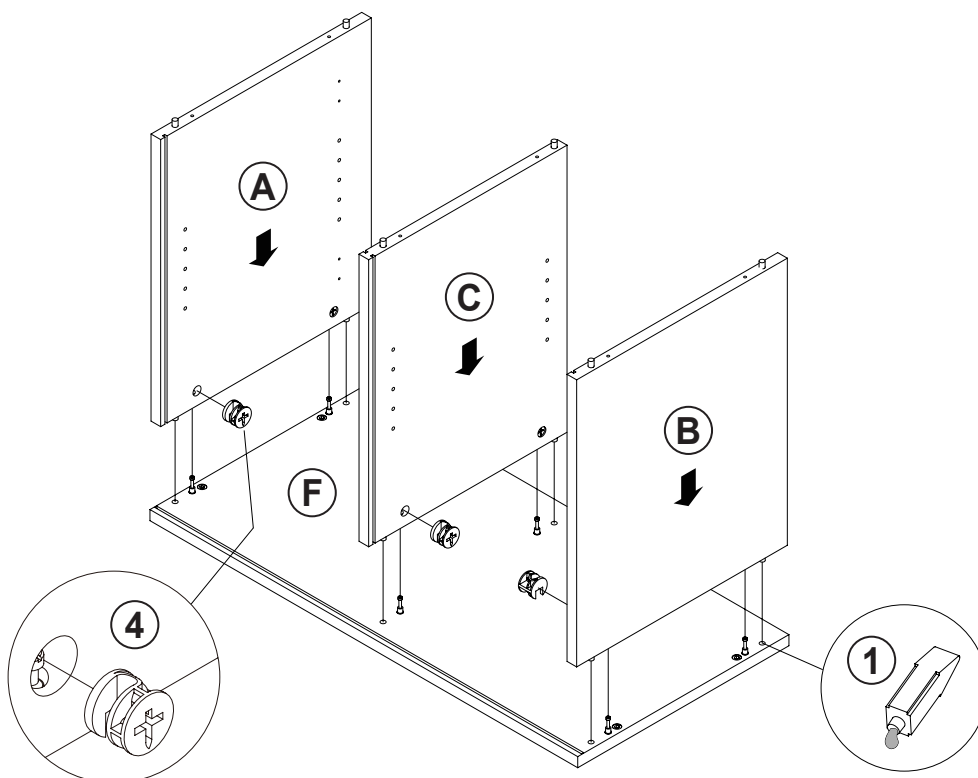


Apply glue on all wooden dowels to ensure integrity of the structure.

STEP 2

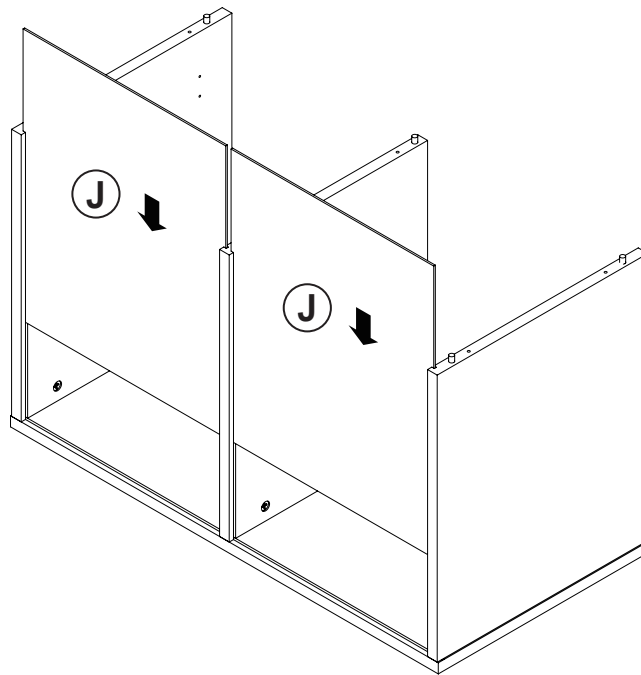


STEP 3

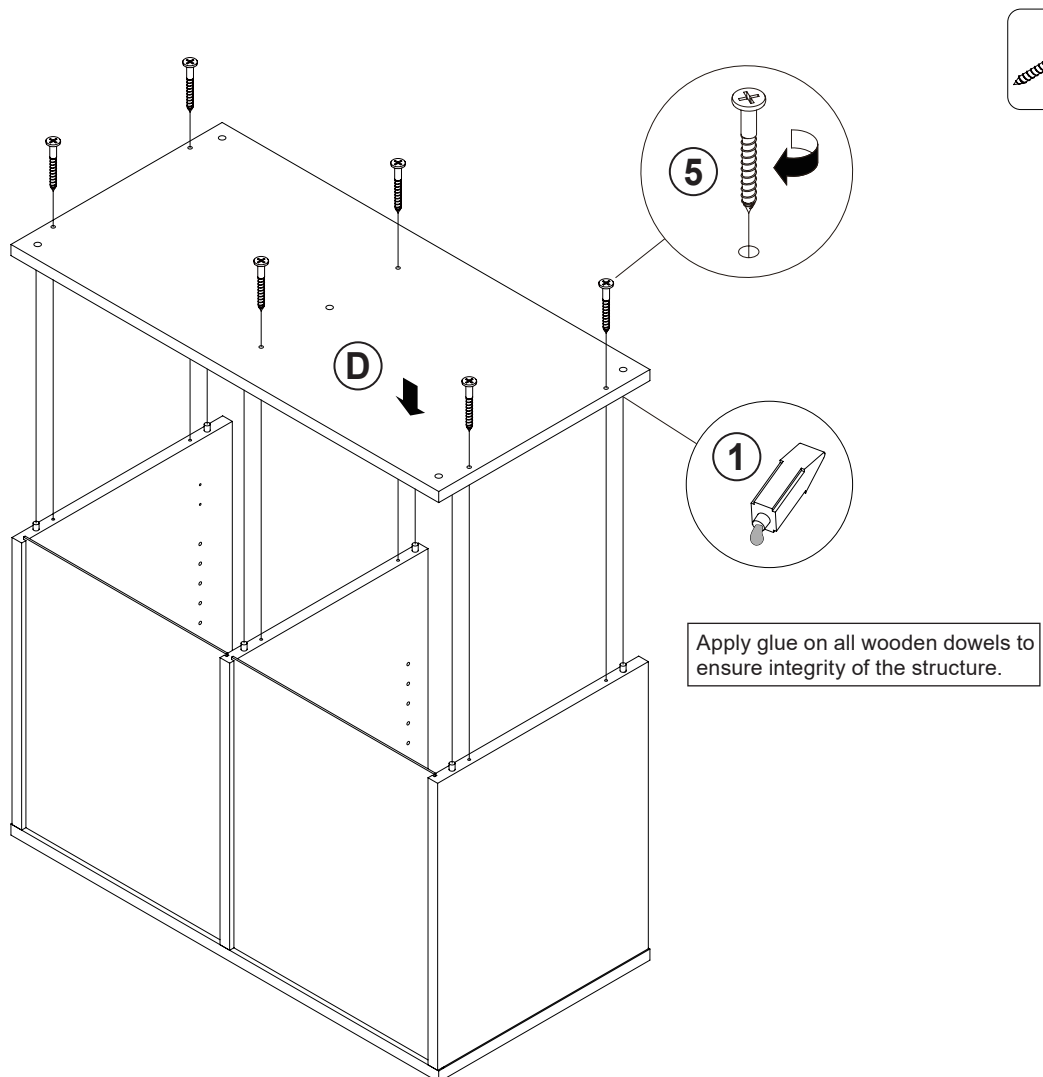


Apply glue on all wooden dowels to ensure integrity of the structure.

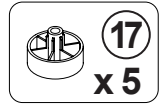
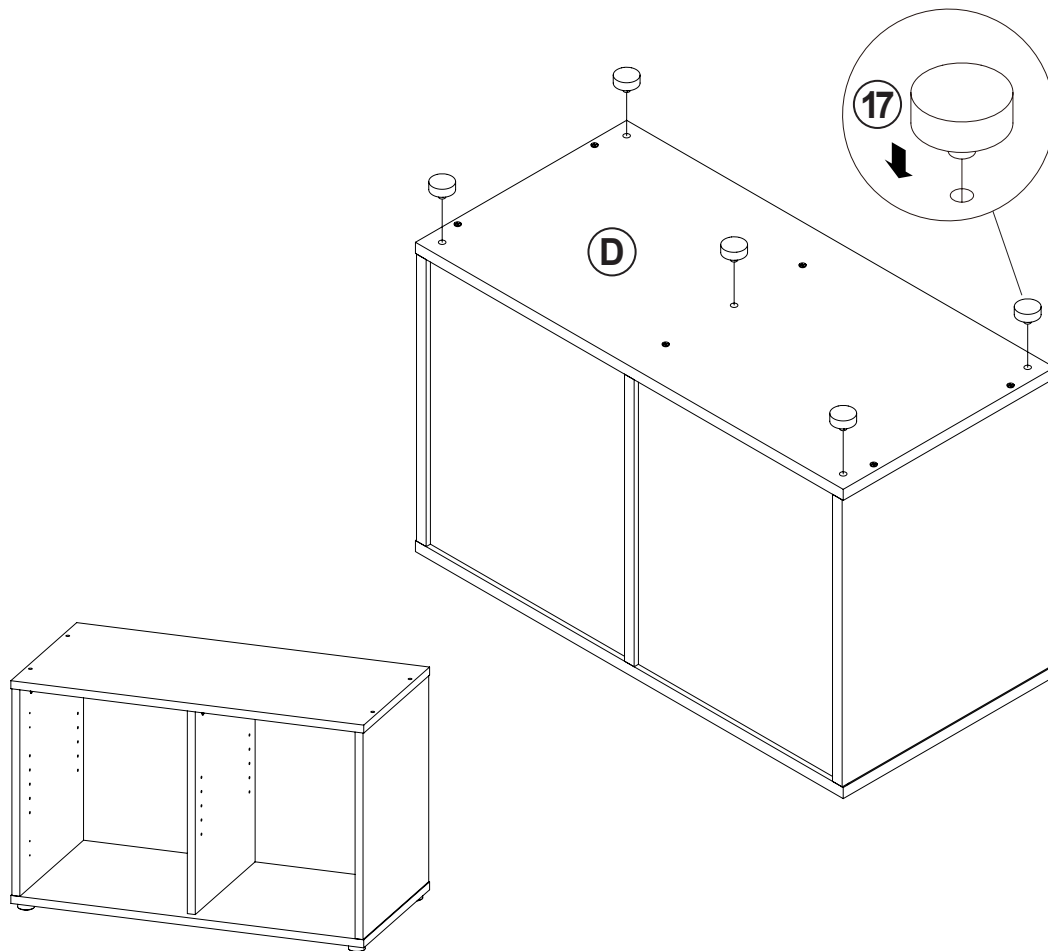
STEP 4



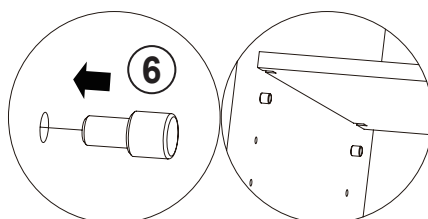
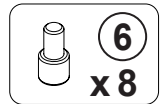
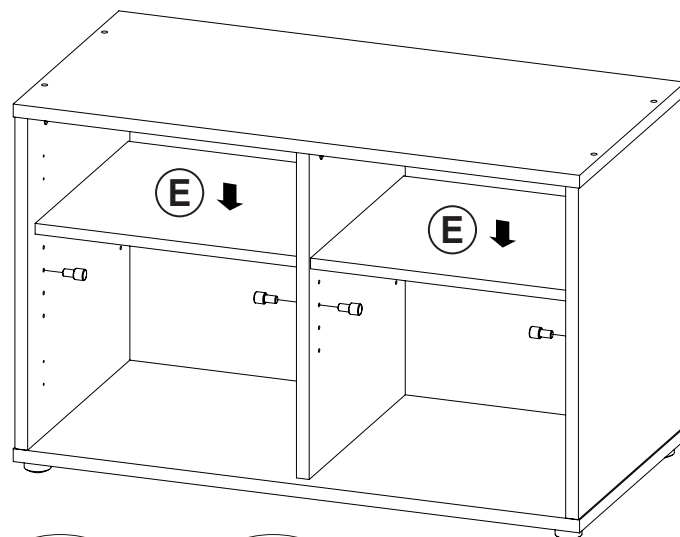
STEP 5



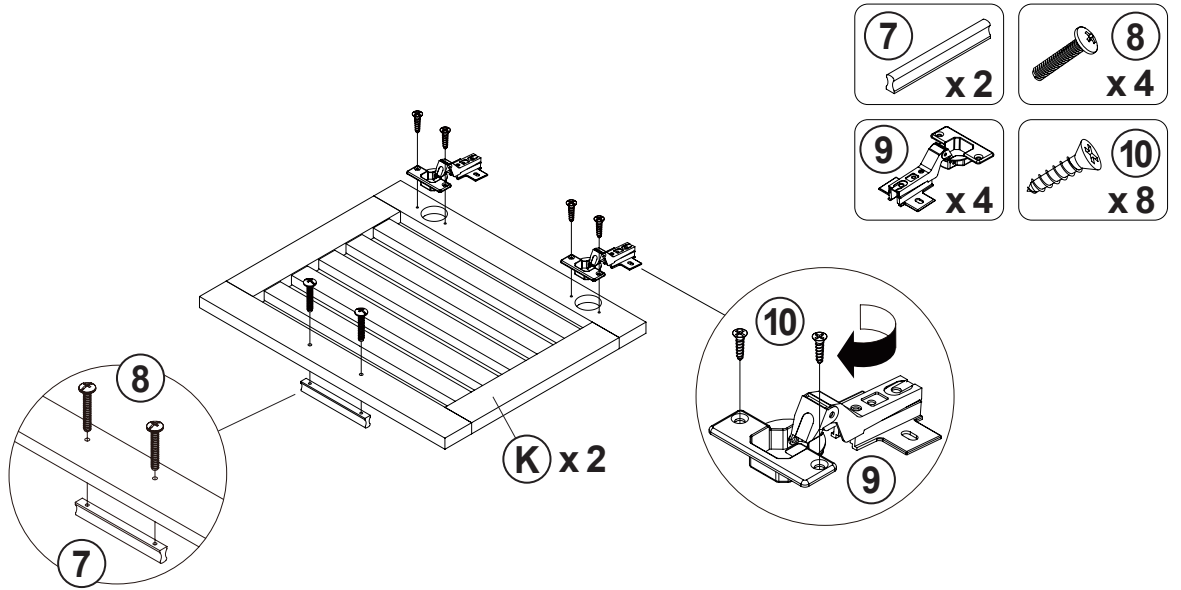
STEP 6



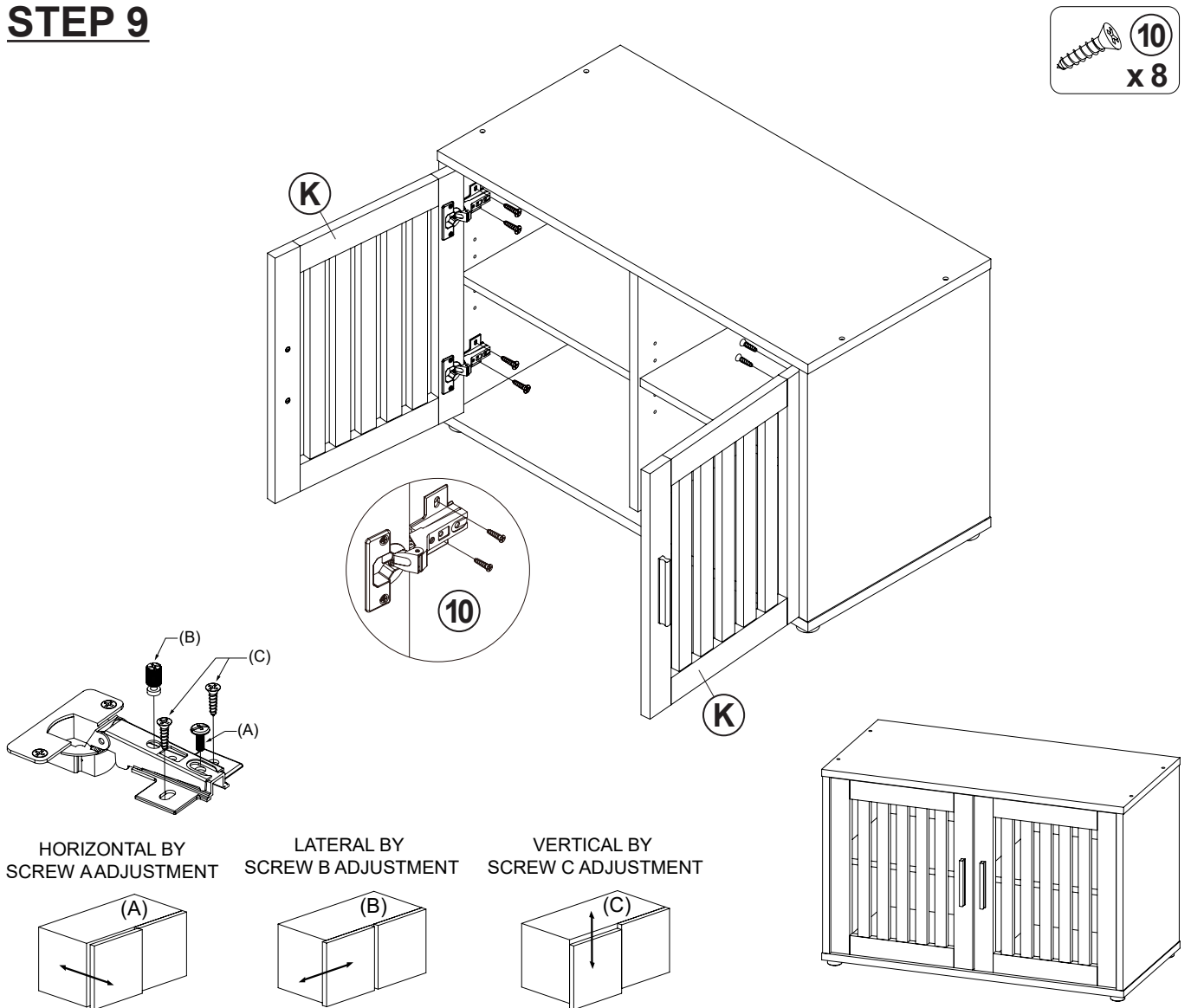
STEP 7



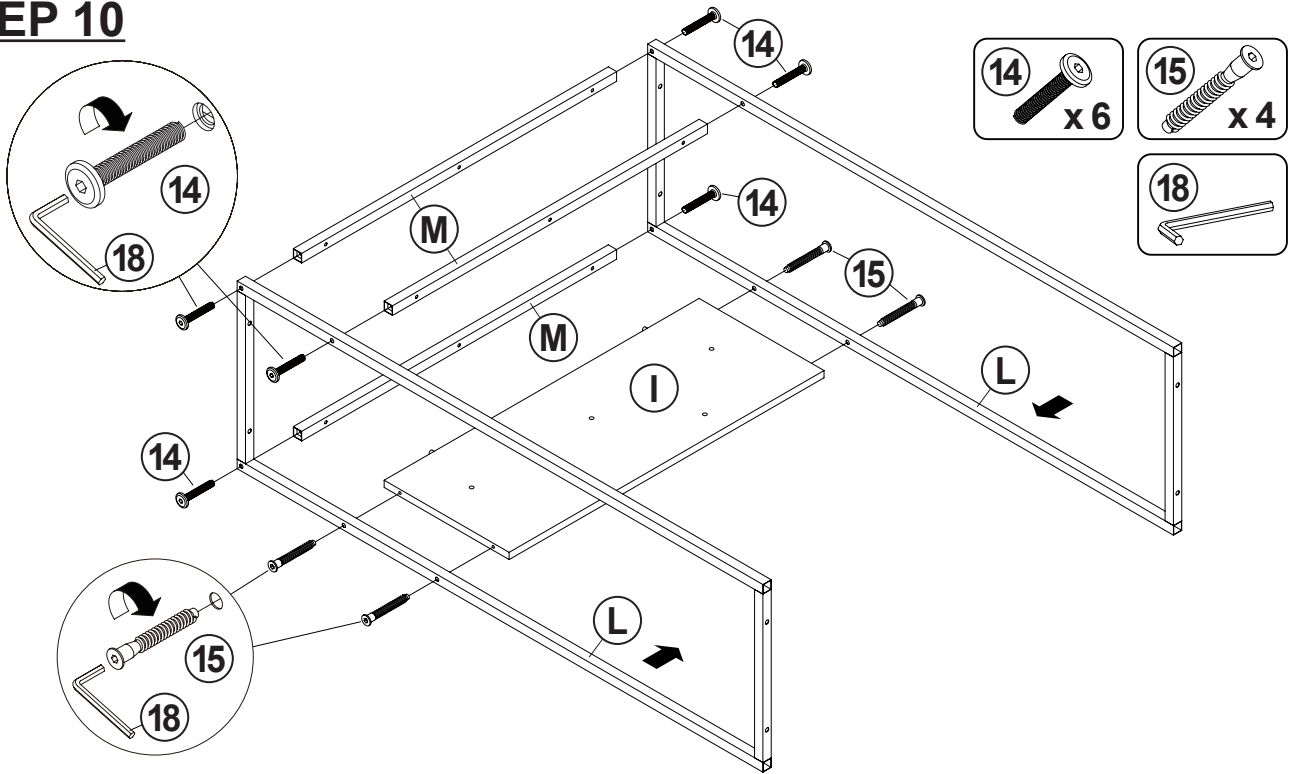
STEP 8



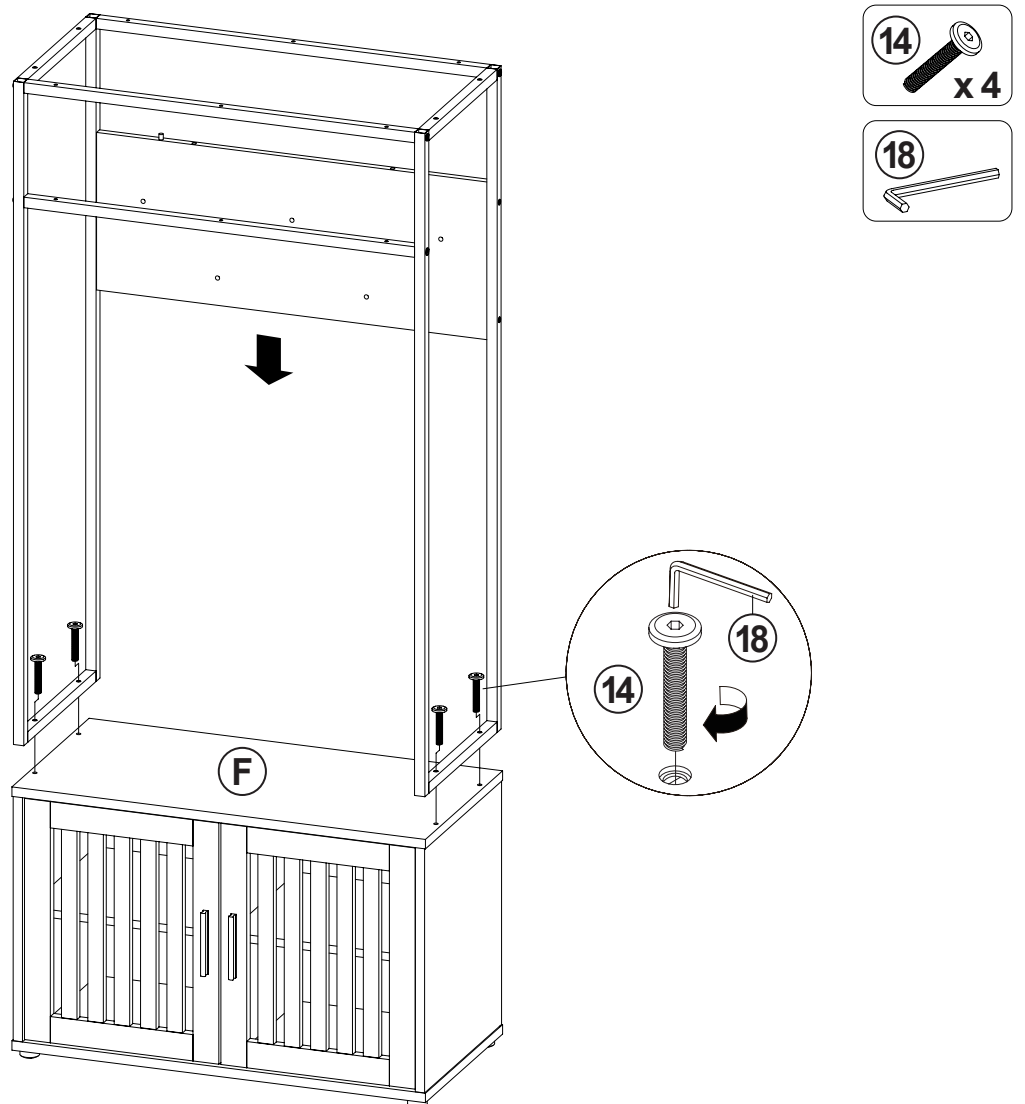
STEP 9



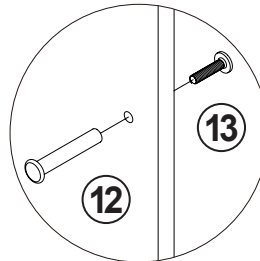
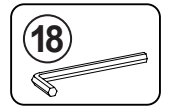
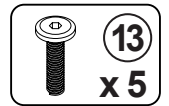
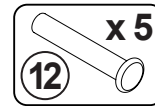
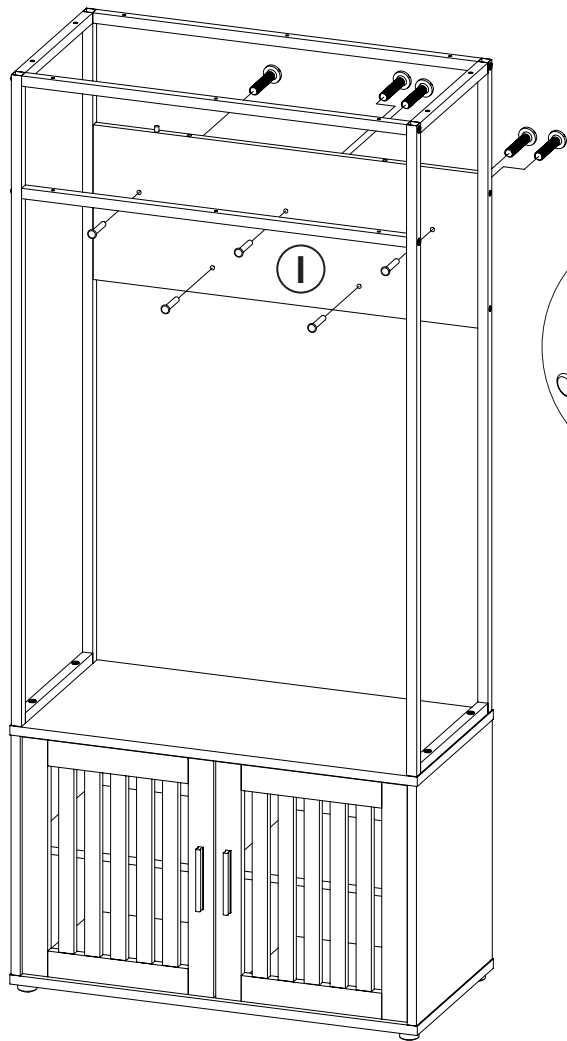
STEP 10



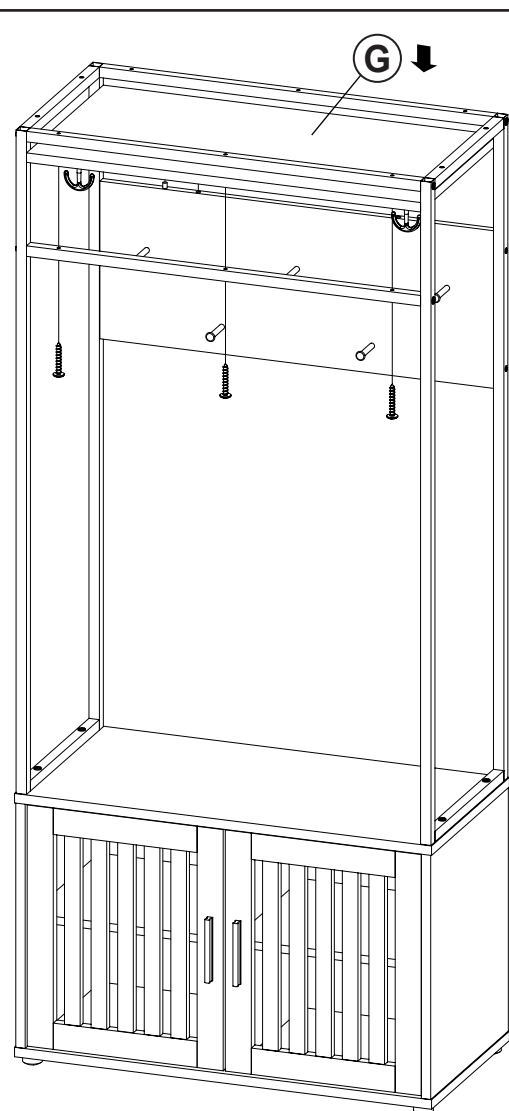
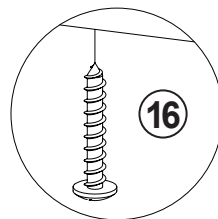
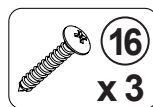
STEP 11



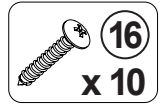
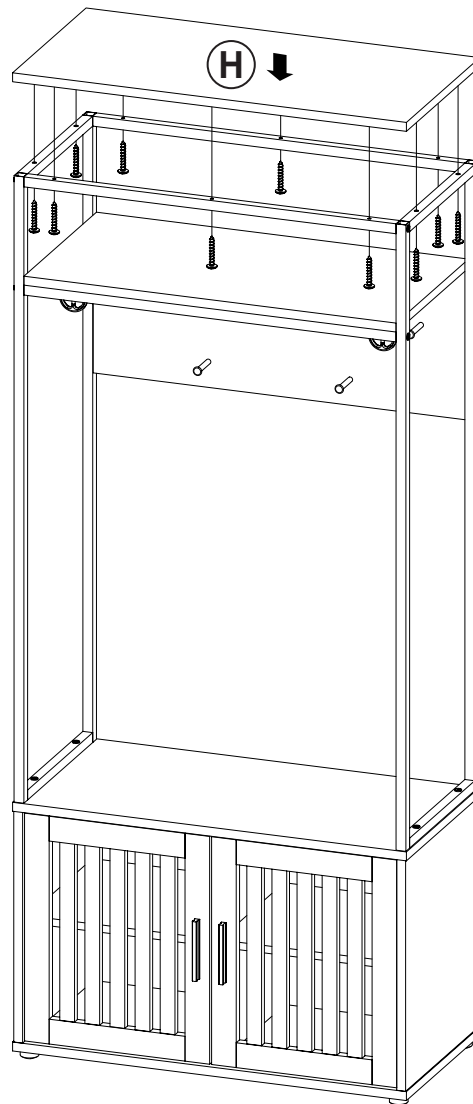
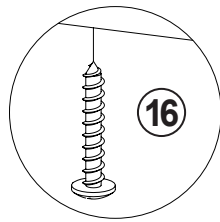
STEP 12



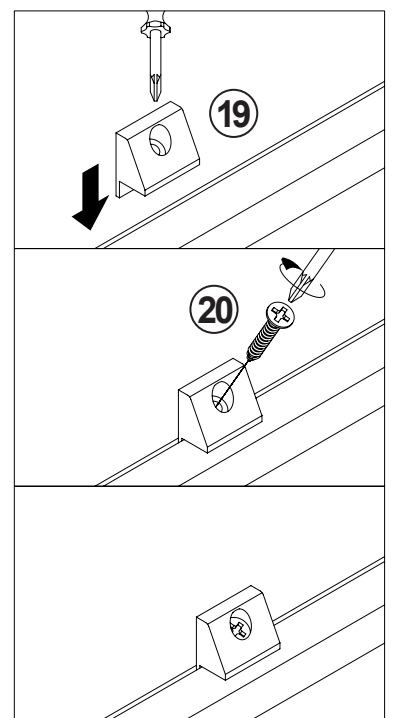
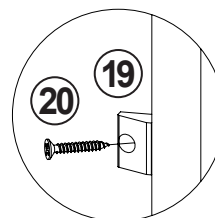
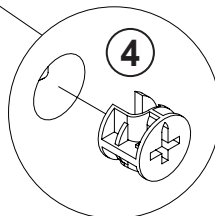
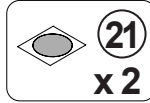
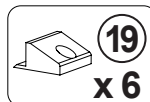
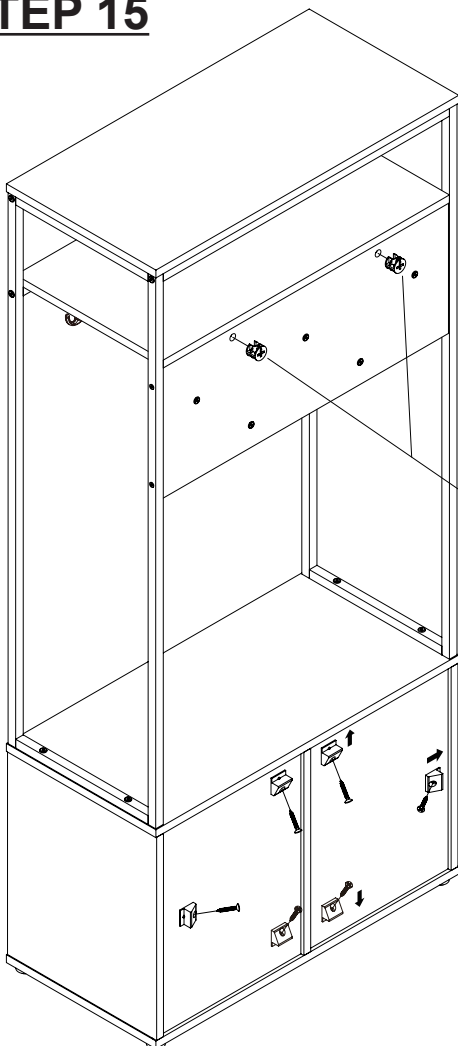
STEP 13

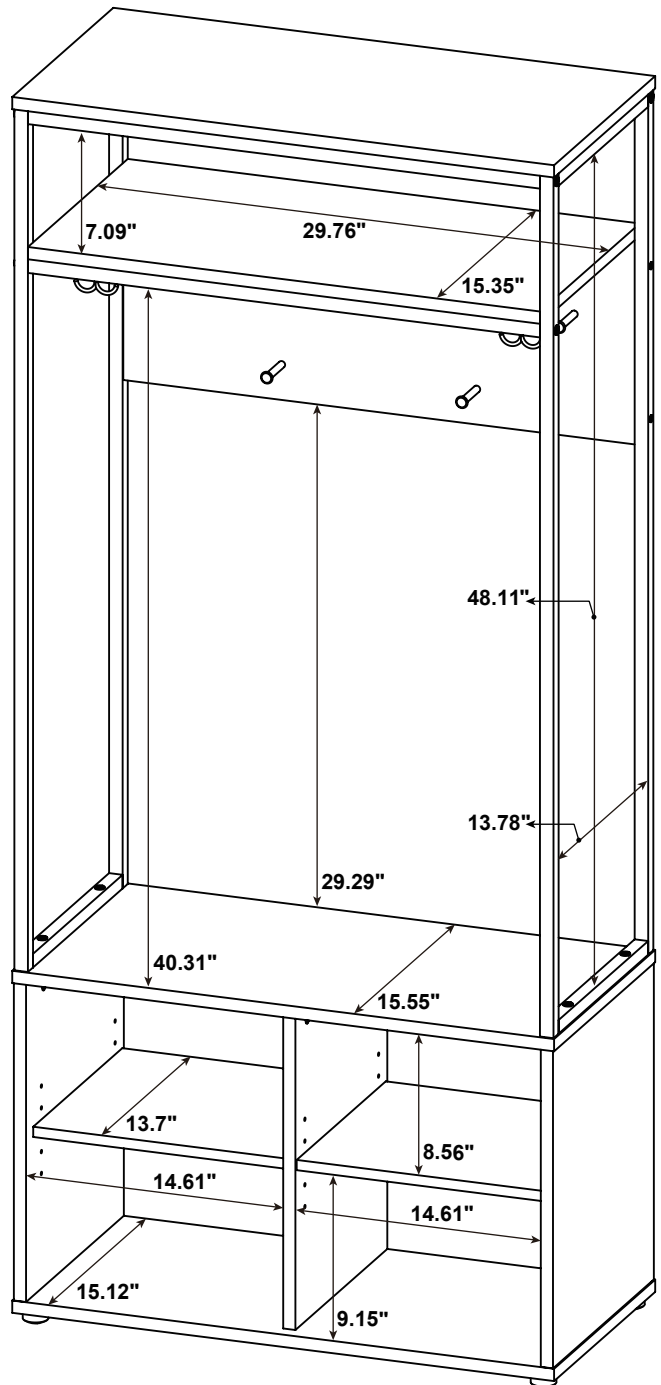
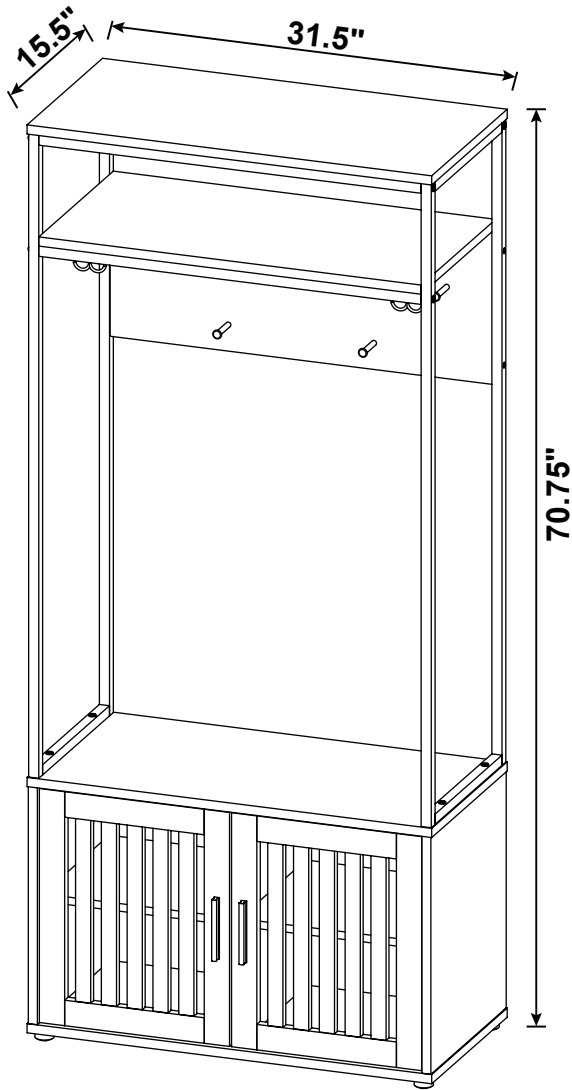


STEP 14



STEP 15





Note : Dimension tolerance $\pm 5\%$

ANTI-TIPPING INSTALLMENT INSTRUCTIONS

FURNITURE TIPPING RESTRAINT

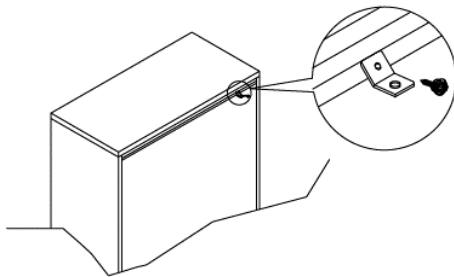
WARNING

Injury may result from tipping furniture.
This restraint may protect against tipping furniture.
Do not allow children to climb on furniture.
This restraint is not a substitute for proper adult supervision.
Failure to detach this restraint before moving the furniture may result in injury and damage.

This restraint must be screwed to a wood stud on the wall, using the long screw provided.

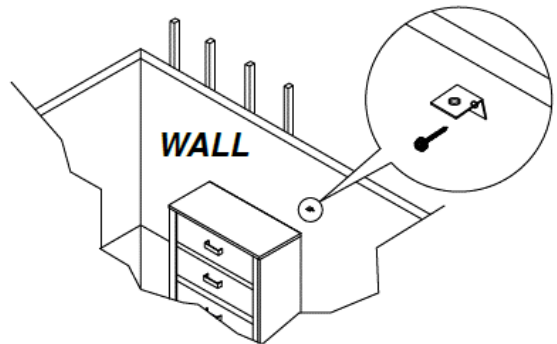
STEP 1

Secure the bracket to the back top of the unit, using the short screw provided, as shown in the drawing.



STEP 2

Locate the wood stud on the wall, and secure the other bracket, 2 inches below the back of the unit.



STEP 3

Place the furniture into position so both mounting brackets are vertically in line. Lace the end of the restraint strap through the larger hole in each mounting bracket. Bring both ends together and slide the flat end through the locking end, and drag it through, until the slack is removed. Ensure that the strap is securely laced and locked.

