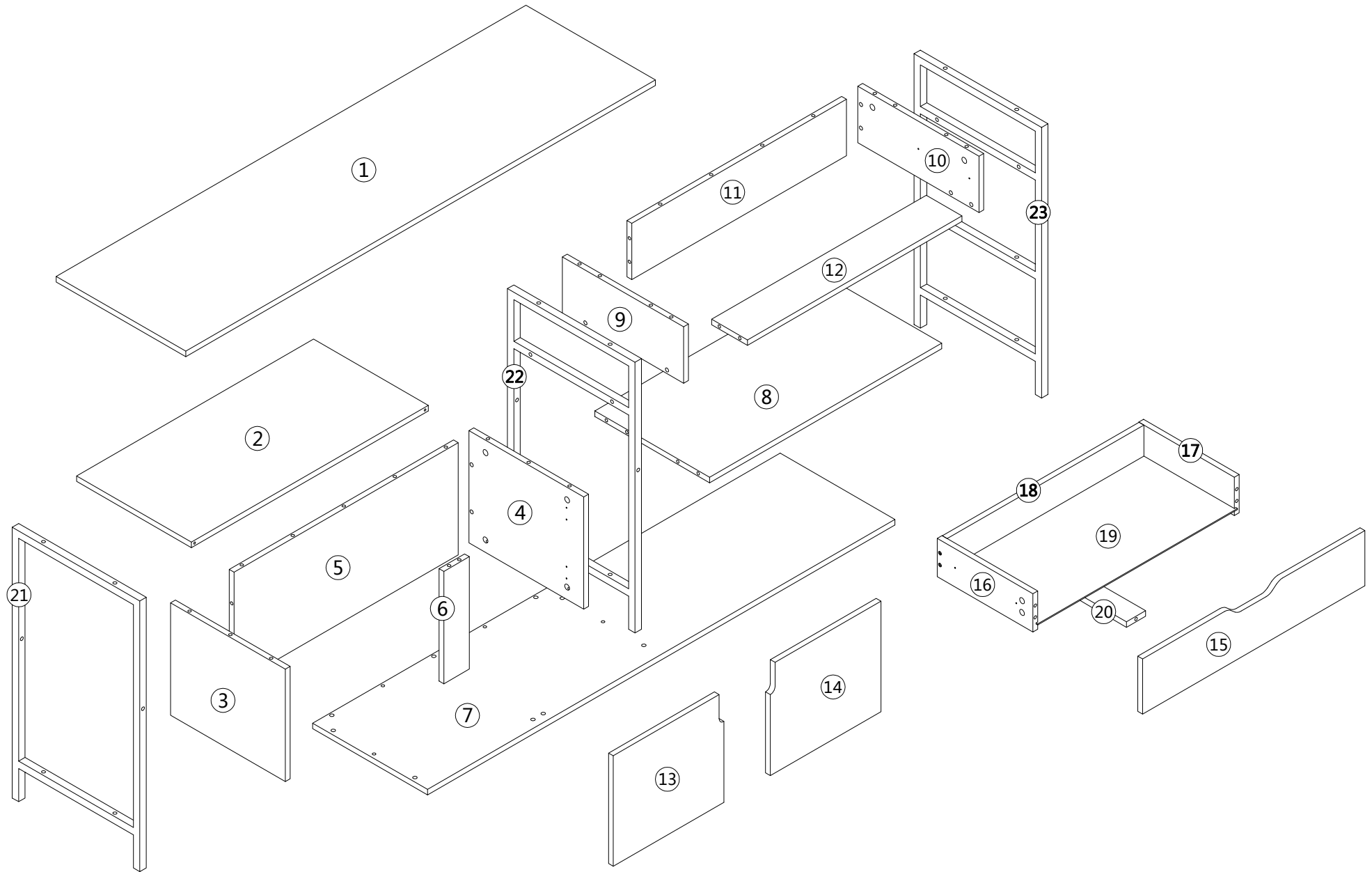


INSTALLATION & ASSEMBLY

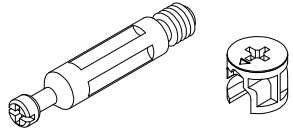


Parts List



Hardware

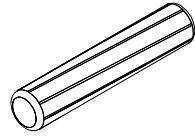
A x 43sets



A1

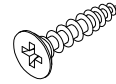
A2

B x 16pcs



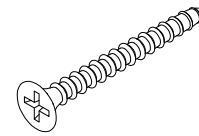
$\Phi 8 \times 40$

C x 32pcs



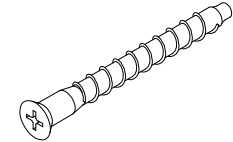
$\Phi 3.5 \times 14$

D x 5pcs



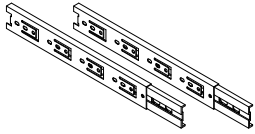
$\Phi 3.5 \times 35$

E x 4pcs

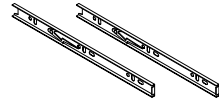


M7x50

F x 1set

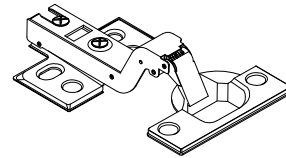


F1

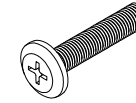


F2

G x 4pcs



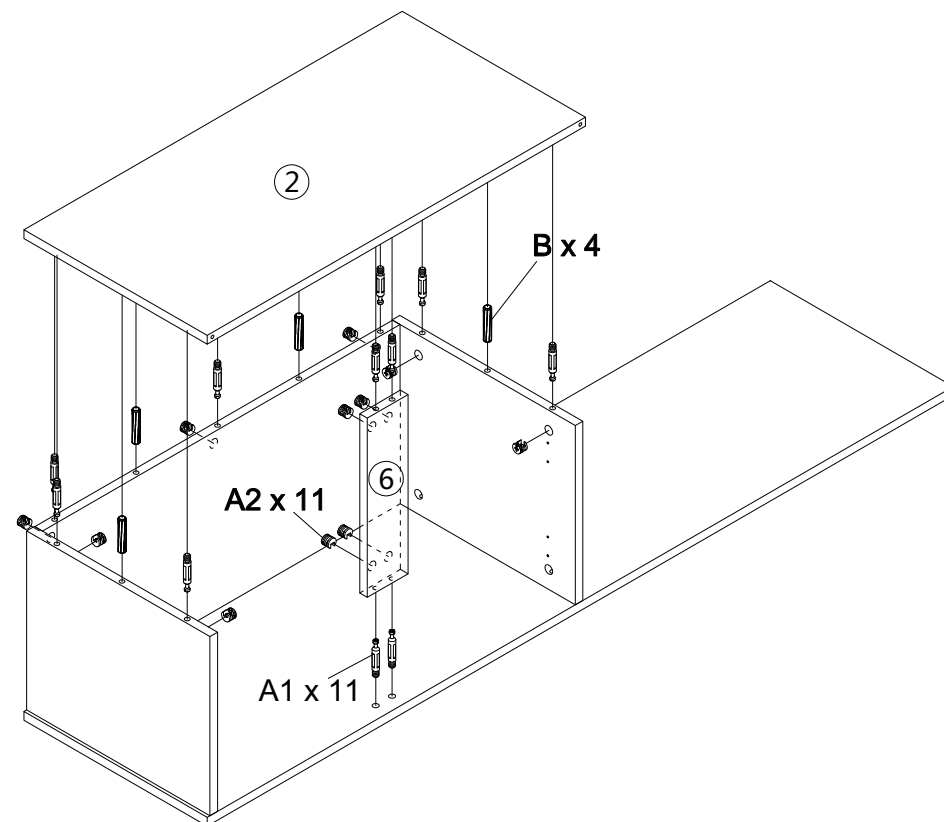
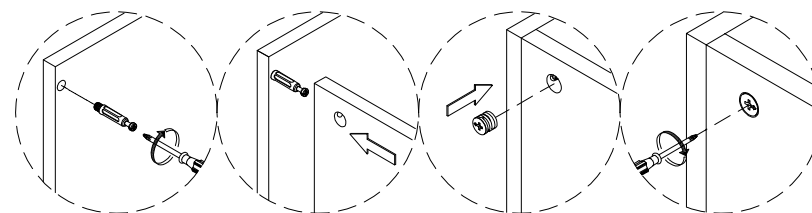
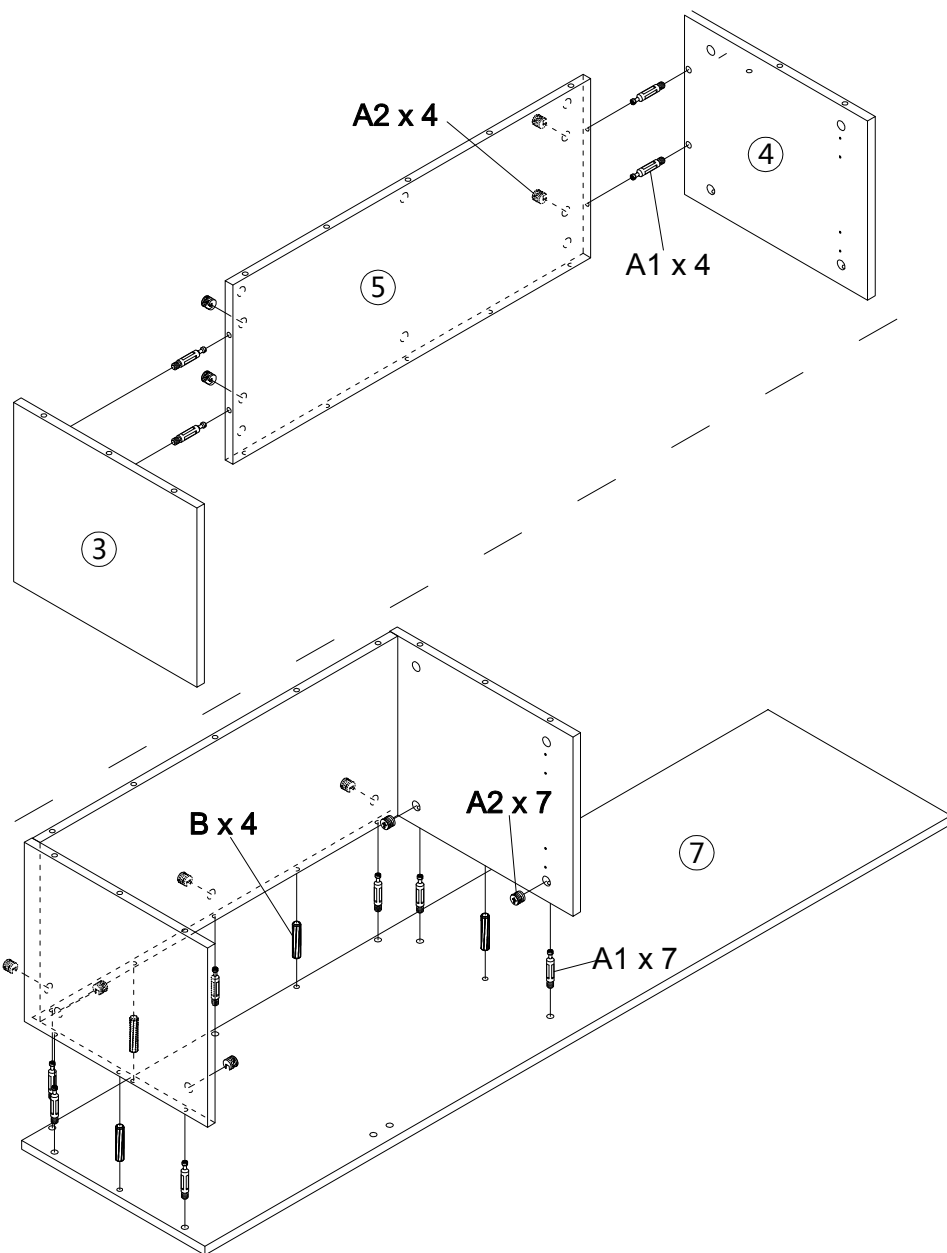
H x 18pcs



M6x30

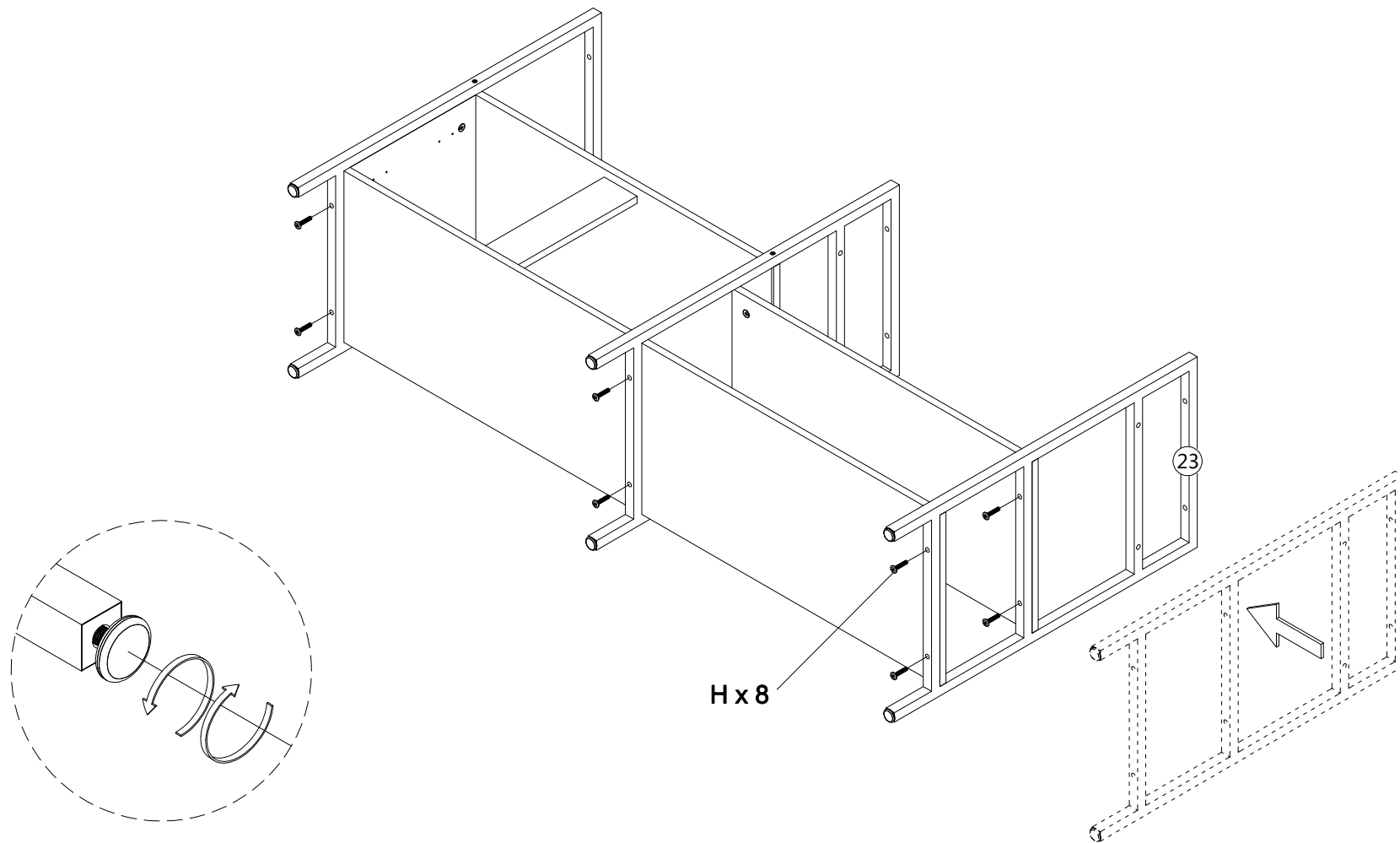
Step 1

A x 22 B x 8



Step 3

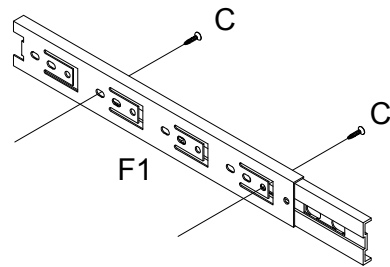
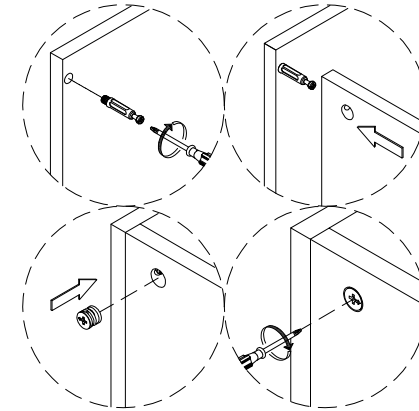
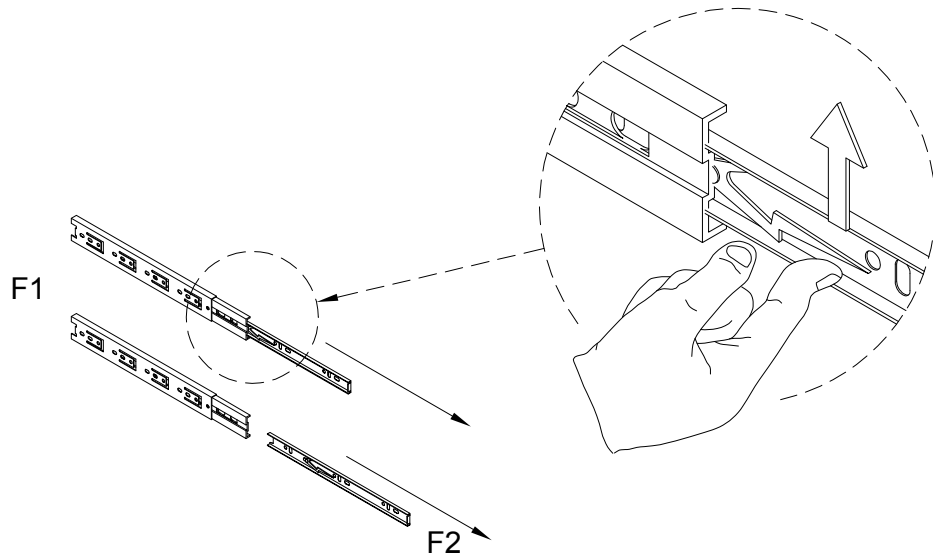
H x 8



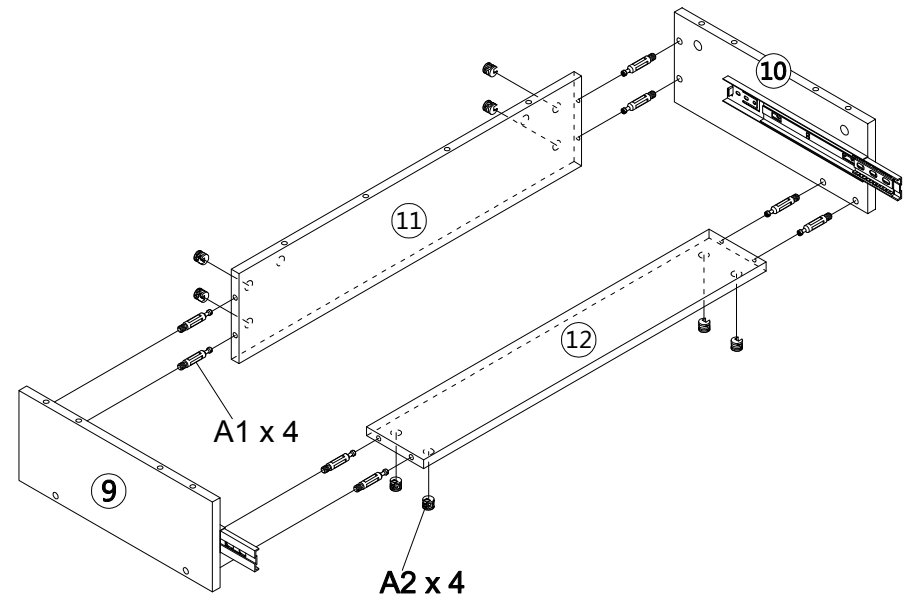
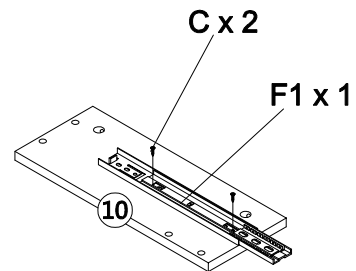
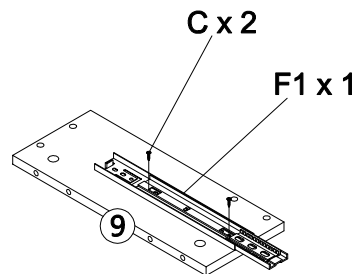
After installation, adjust here to make the cabinet more stable.

Step 4

A x 8 C x 4 F1 x 2

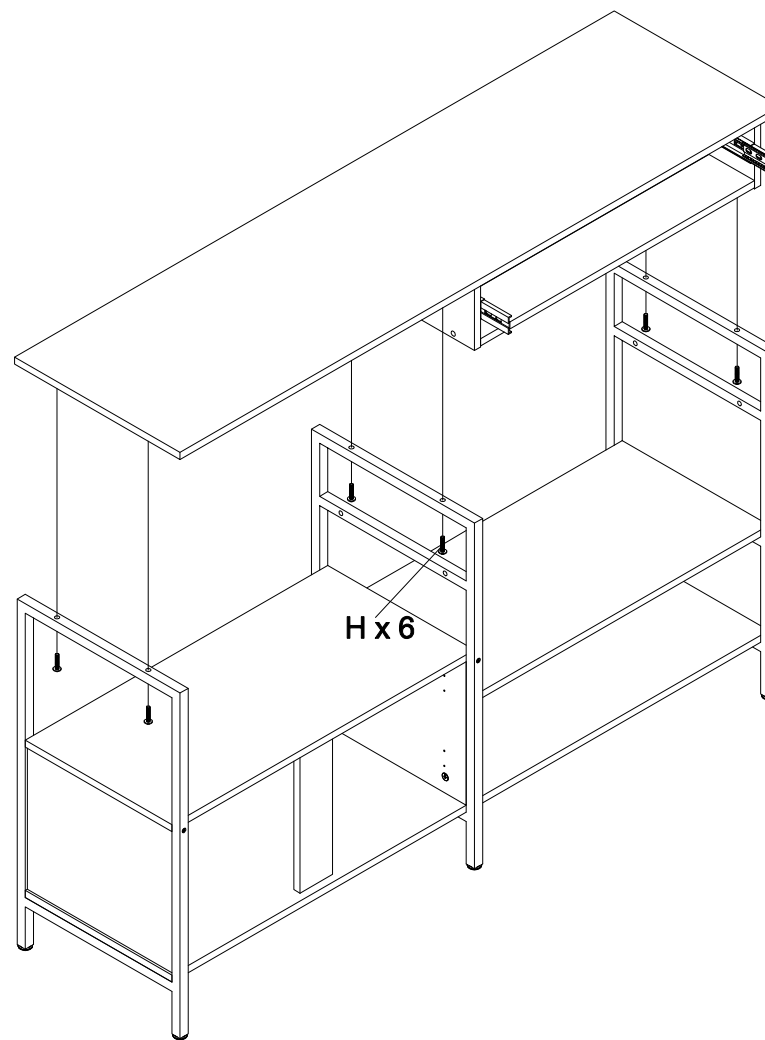
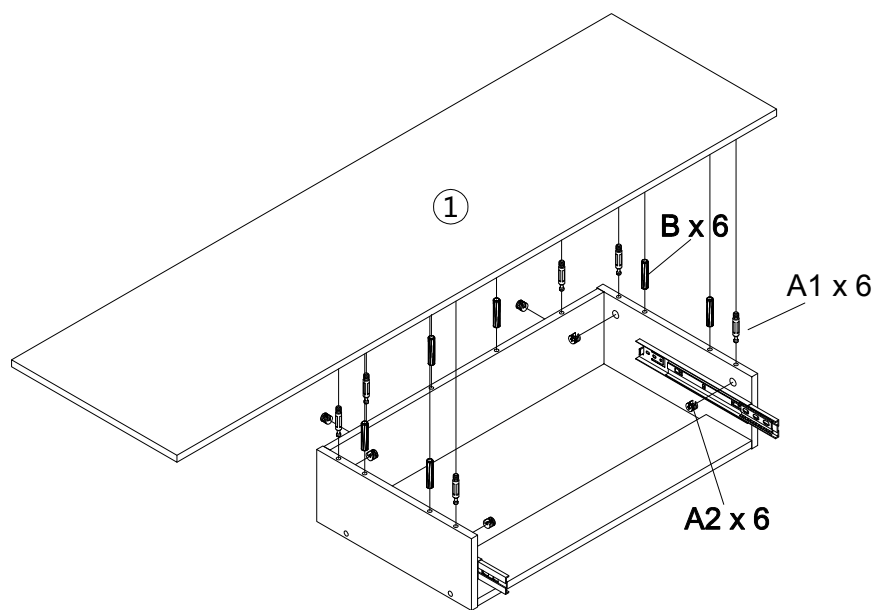
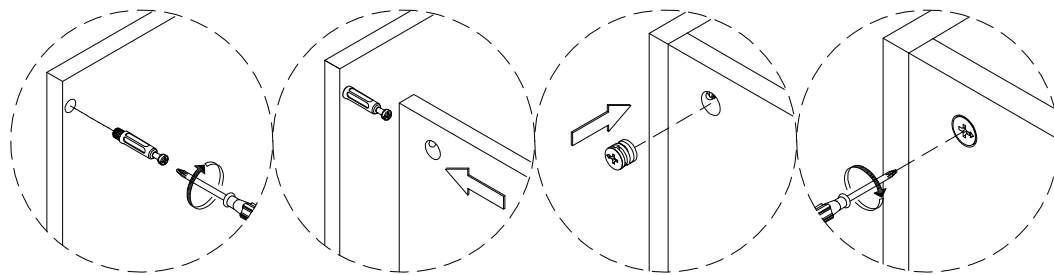


REMARK:
When installing, please make sure the screws are flattened, Not crooked; Otherwise the drawers will not be installed perfectly.



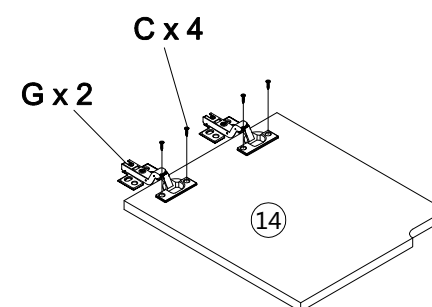
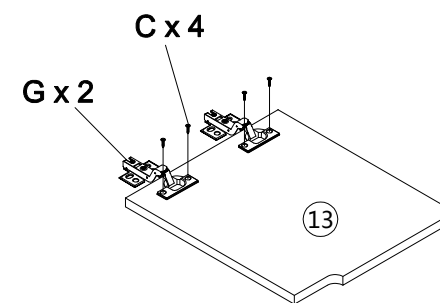
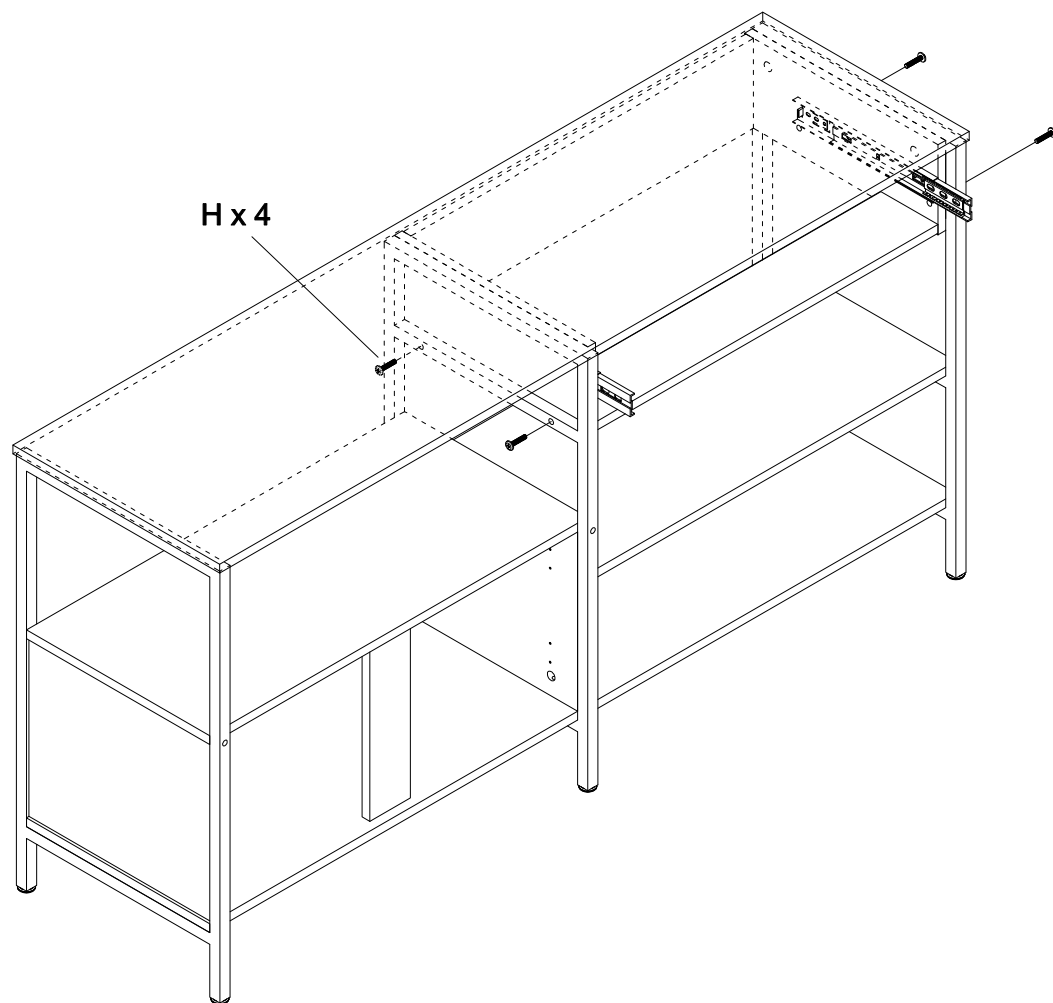
Step 5

A x 6 B x 6 H x 6



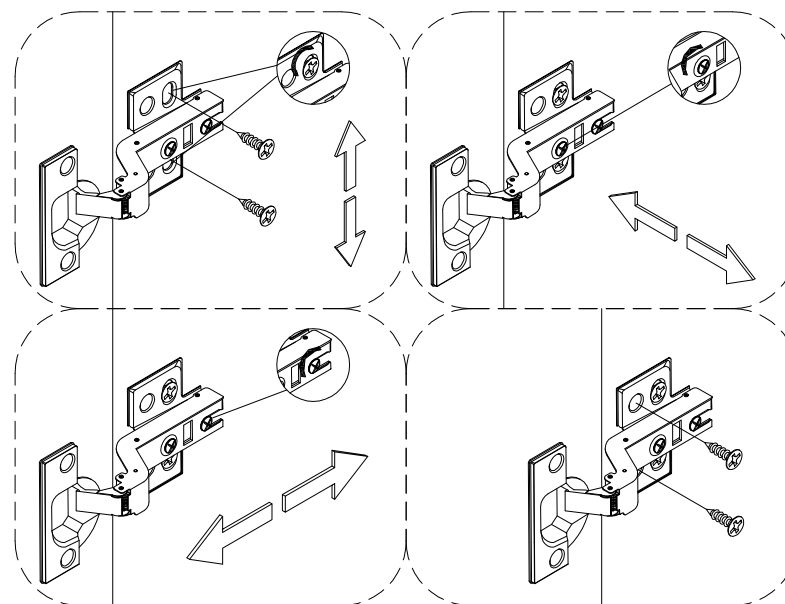
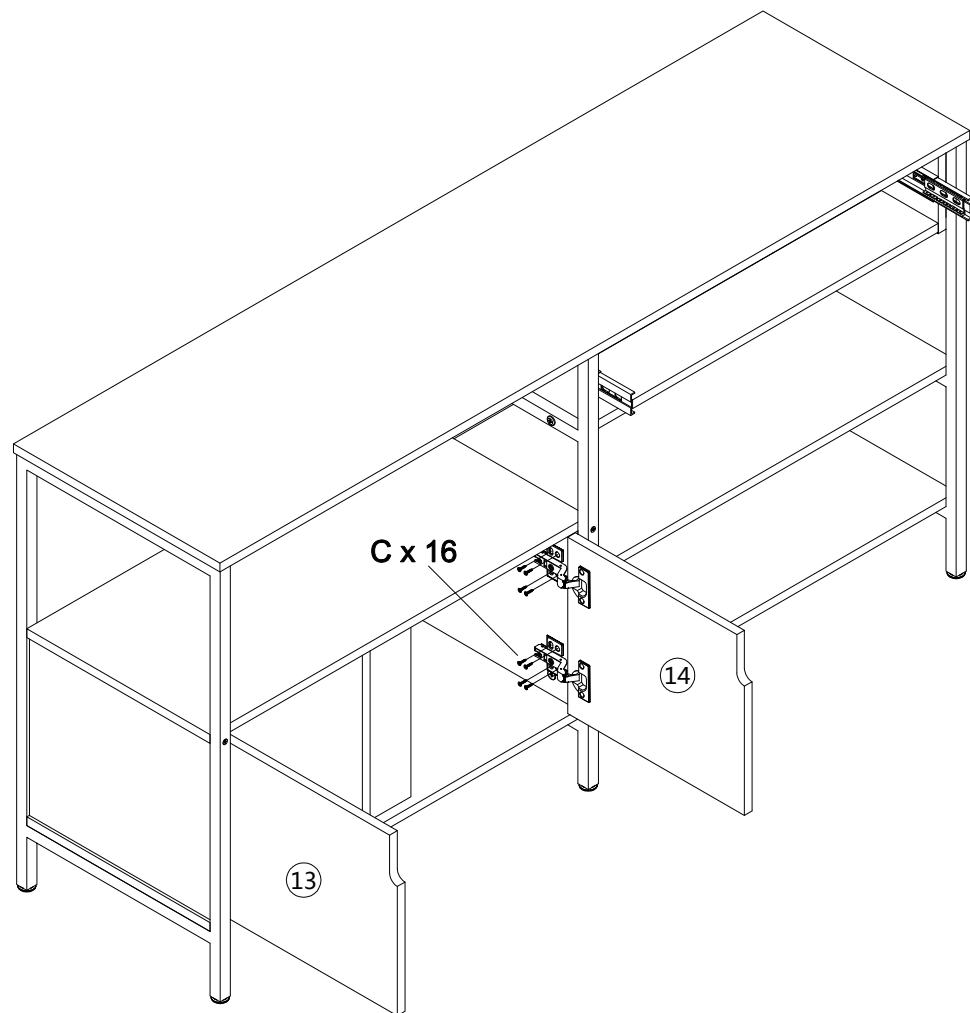
Step 6

C x 8 G x 4 H x 4



Step 7

C x 16



Step 8

A x 5 C x 4 D x 5 F2 x 2

