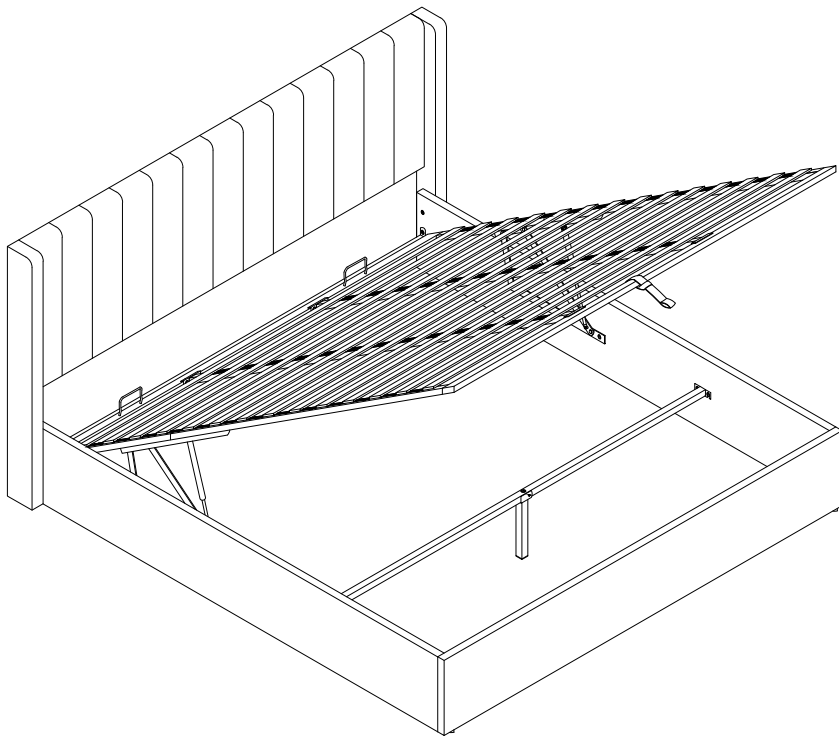


ASSEMBLY INSTRUCTION



WARNING: OPEN THE HEADBOARD BACK ZIPPER, THE BED REST PARTS IN IT.



**Please TEAR OFF this shrink film from side!
DO NOT USE CUTTER!**

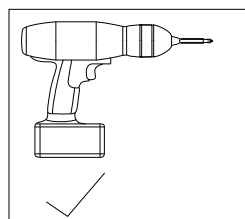
ITEM NUMBER:133

IMPORTANT NOTE

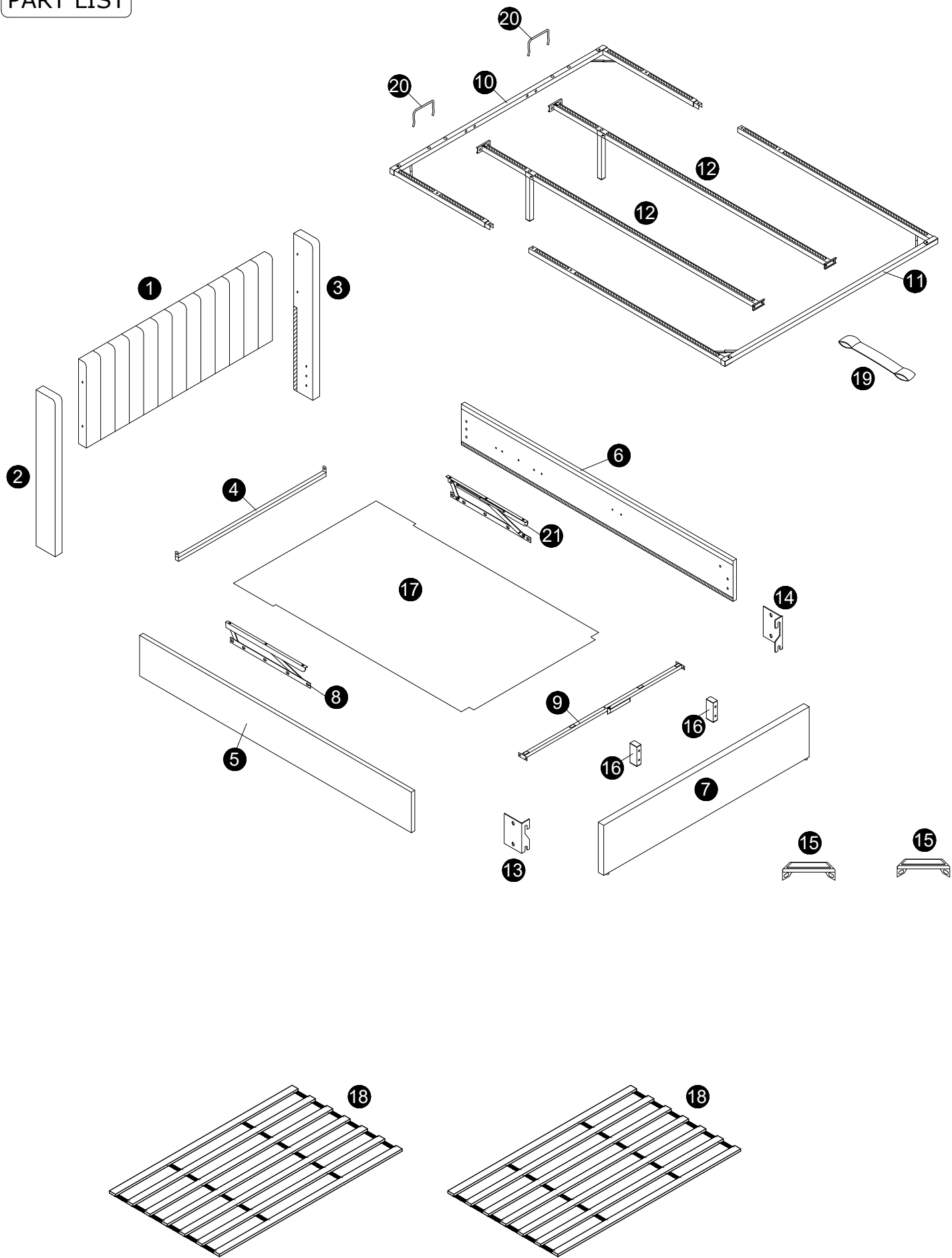
- 1. All other components are stored inside the headboard. Before proceeding with assembly, please open the zipper located on the headboard and remove all components.**
2. For the protection of your furniture, place all parts on a clean and smooth surface to prevent any damage.
3. Keep fittings out of children's reach and keep children well away from construction area.
4. When moving your assembled bed. it is best to lift the bed and never to drag it.
5. Do not use this product if parts are missing, damaged or worn.
6. This product should only be used on firm, level ground.
7. Please periodically check all fittings and re-tighten as necessary.
8. Do not use the bed unless all bolts and screws are firmly secured.
9. For further assistance, please provide a screenshot of your order and contact us via email at



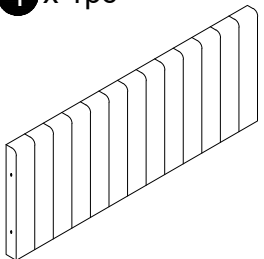
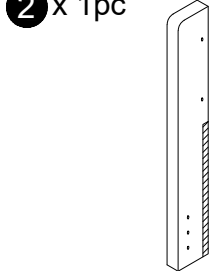
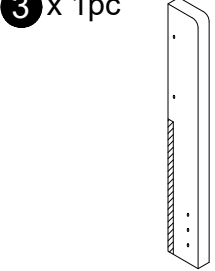
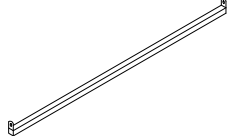
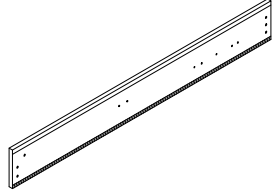
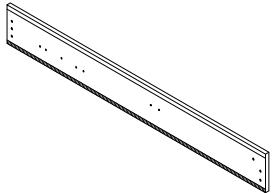
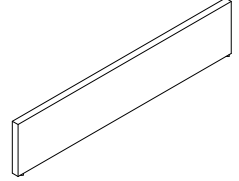
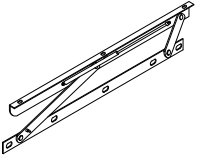
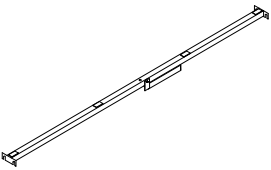
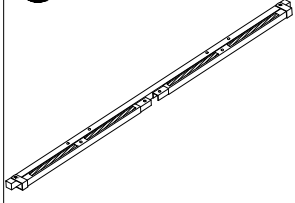
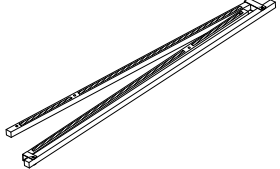
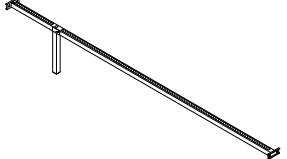
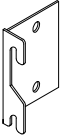
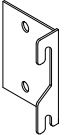


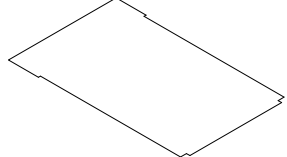
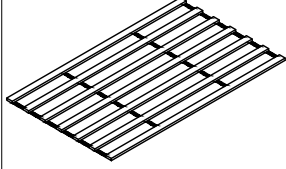
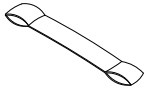
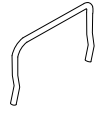
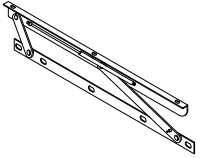
Minimum two
person assembly




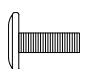



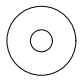
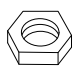
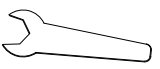

PART LIST



PART LIST

1 x 1pc 	2 x 1pc 	3 x 1pc 	4 x 1pc 	5 x 1pc 
6 x 1pc 	7 x 1pc 	8 x 1pc 	9 x 1pc 	10 x 1pc 
11 x 1pc 	12 x 2pcs 	13 x 1pc 	14 x 1pc 	15 x 2pcs 
16 x 2pcs 	17 x 1pc 	18 x 2pcs 	19 x 1pc 	20 x 2pcs 
21 x 1pc 				

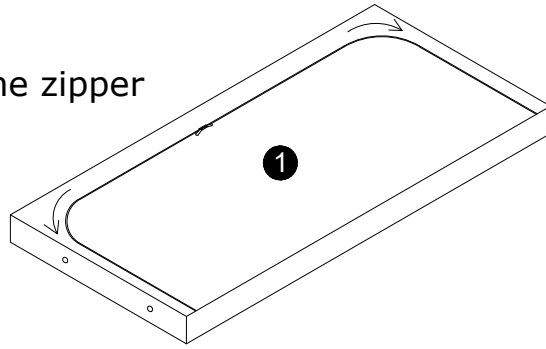
HARDWARE LIST

 H1 M5 x 1pc	 H2 M8x25mm x 34pcs	 H3 M8x35mm x 4pcs	 H4 M8x60mm x 4pcs
 H5 M8 x 10pcs	 H6 M8x22mm x 10pcs	 H7 M8 x 6pcs	 H8 M14 x 1pc
			 H9 M8x50mm x 15pcs

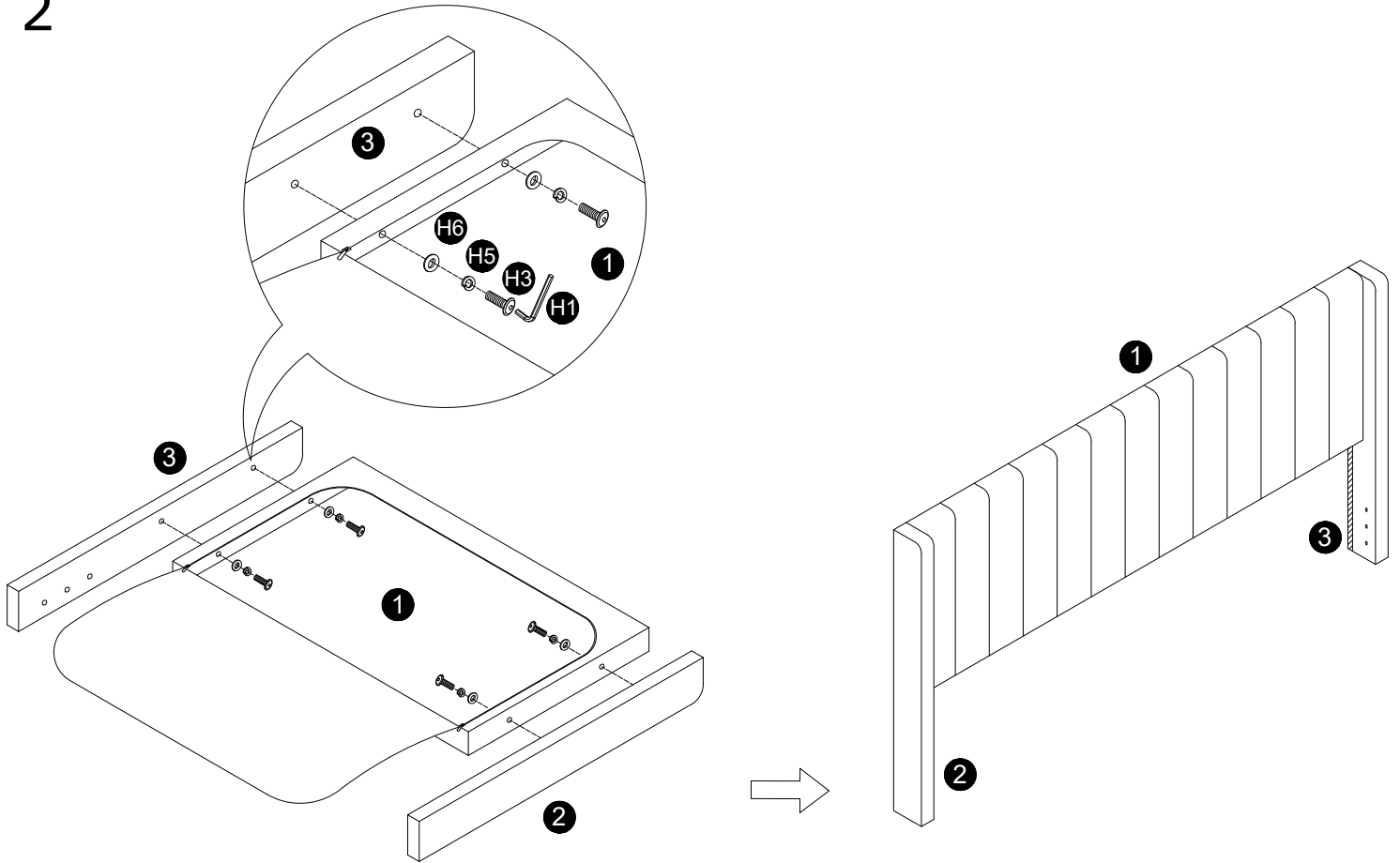
Please ensure to thoroughly inspect the small inner cardboard box containing the hardware, which are tied with a red string, before disposing of the box.

1 **NOTE:** PLEASE OPEN THE ZIPPER ON THE BACK OF **1** AND TAKE OUT THE PARTS.

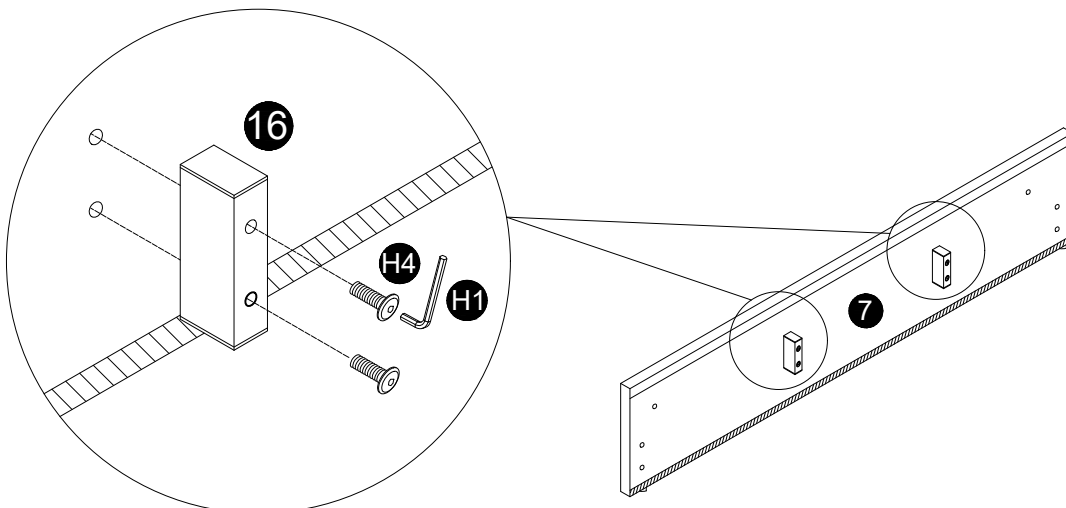
Open the zipper



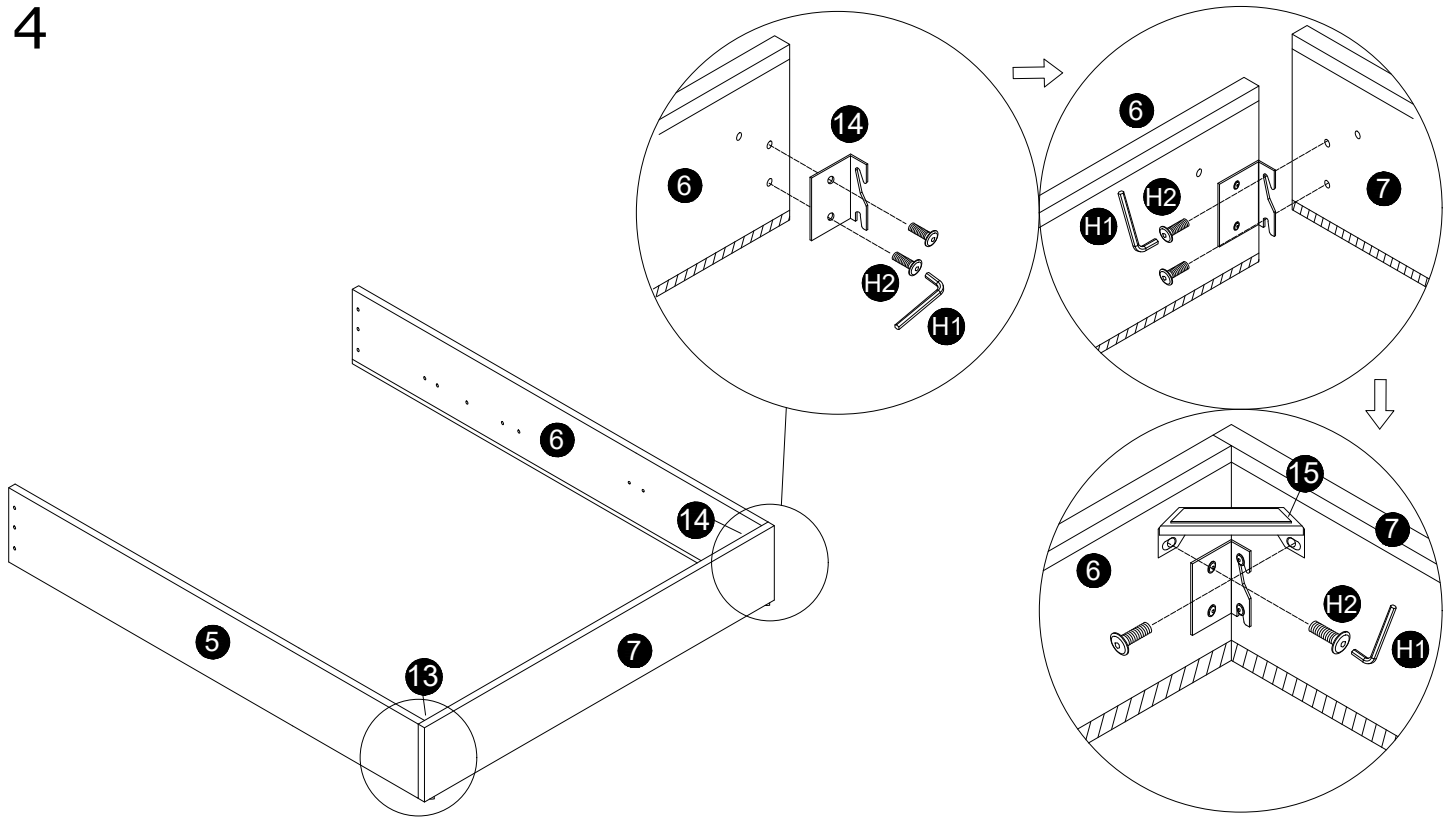
2



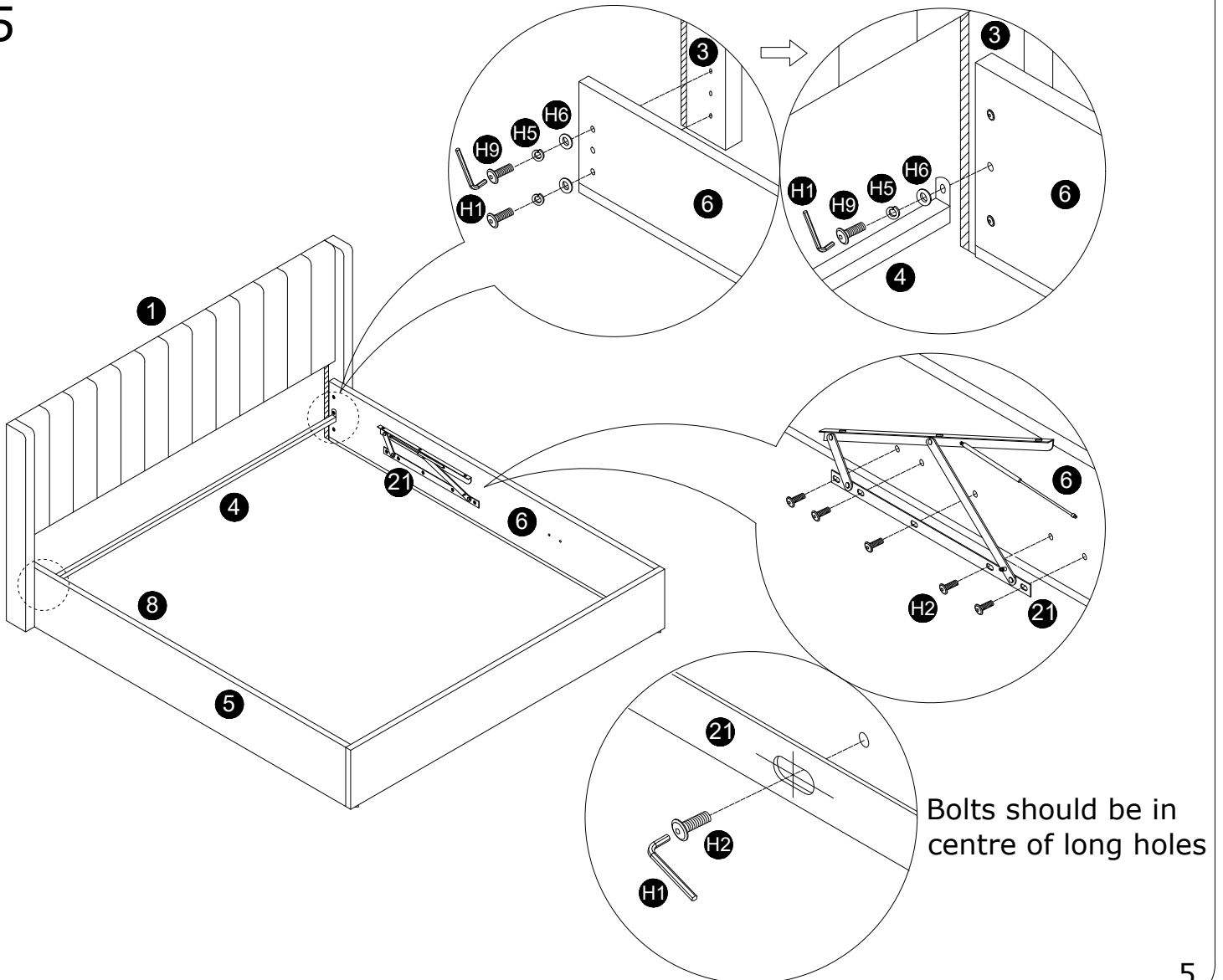
3



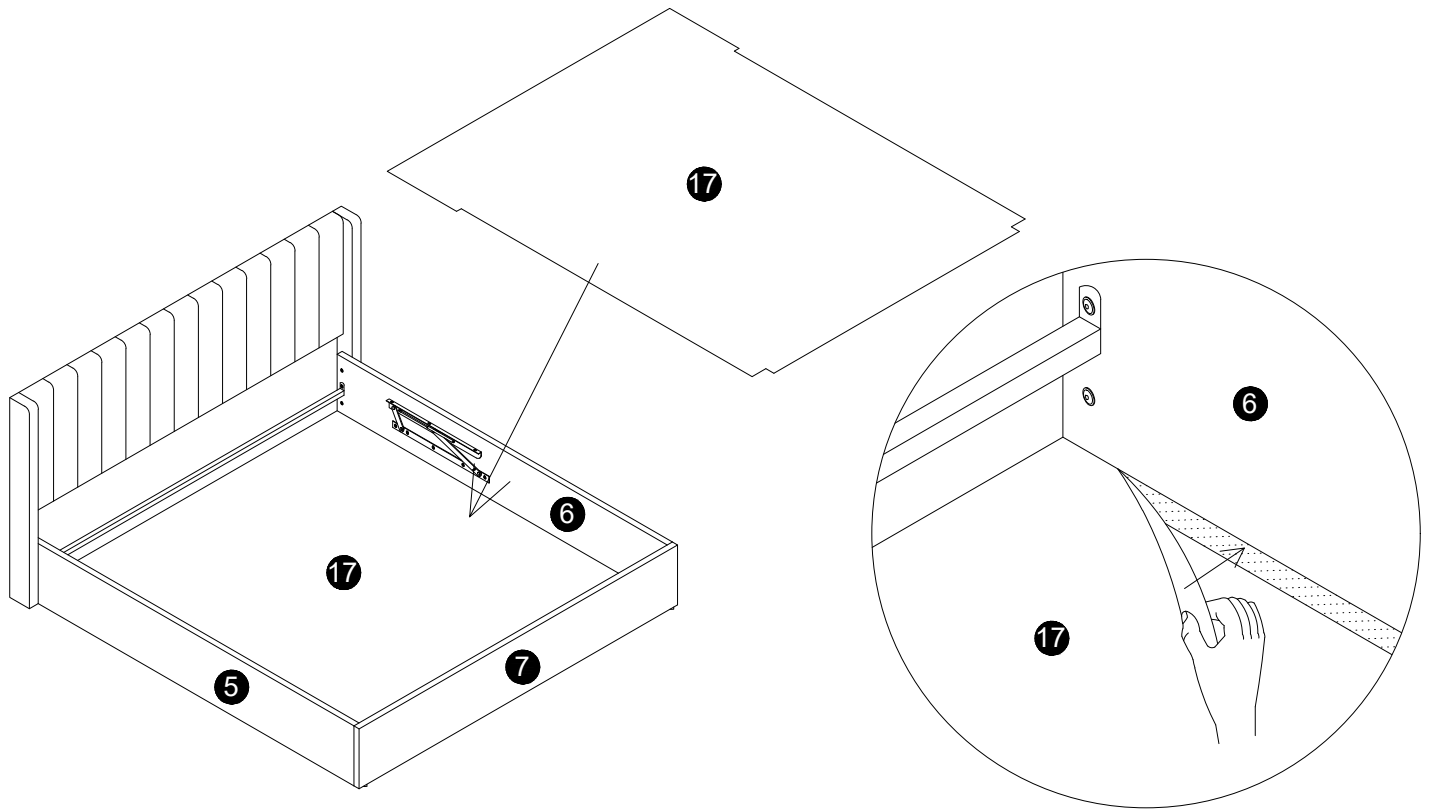
4



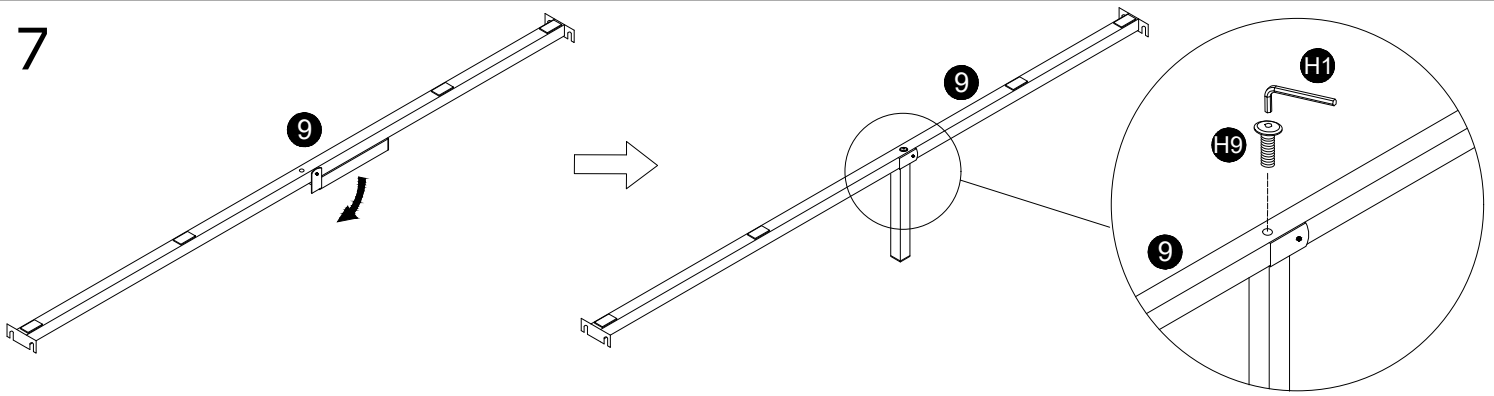
5



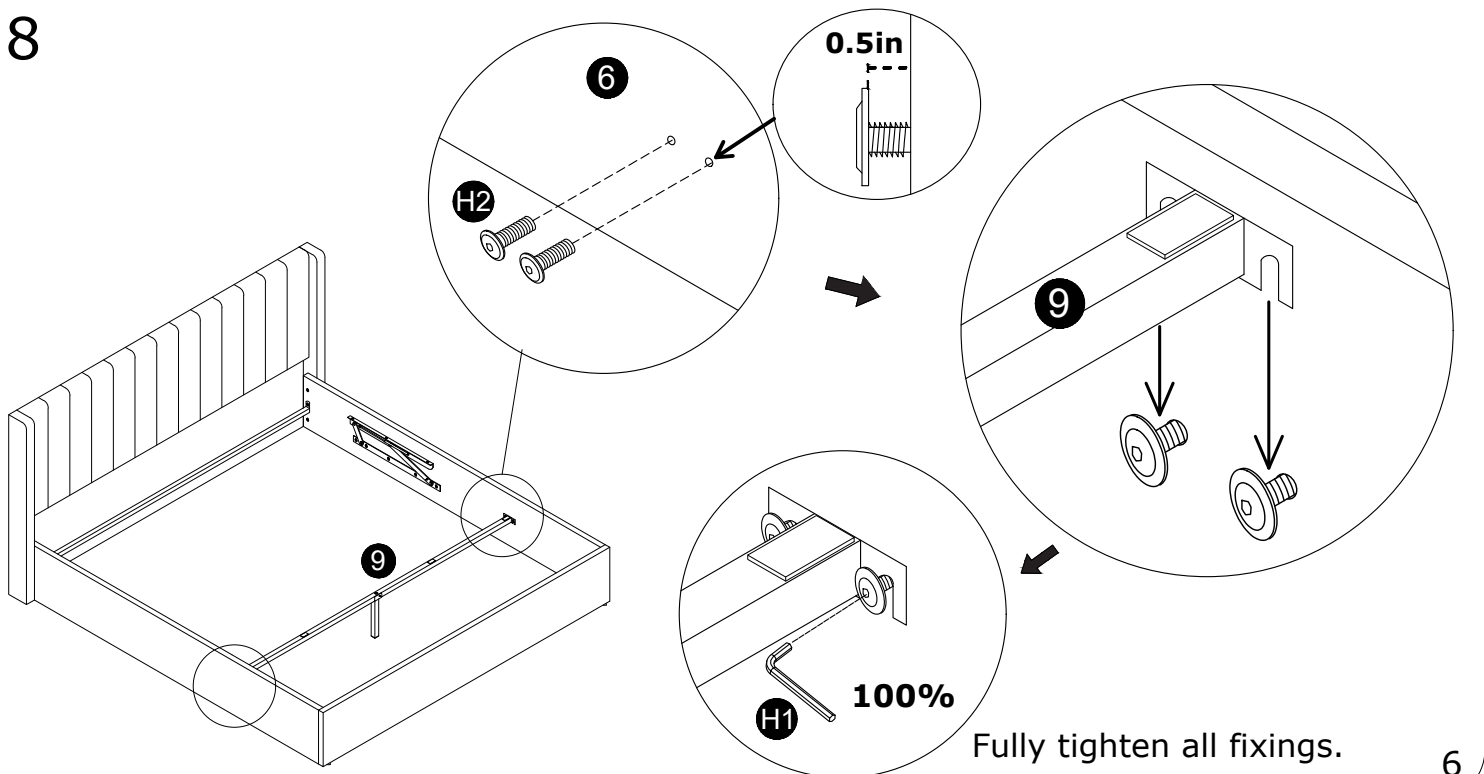
6



7

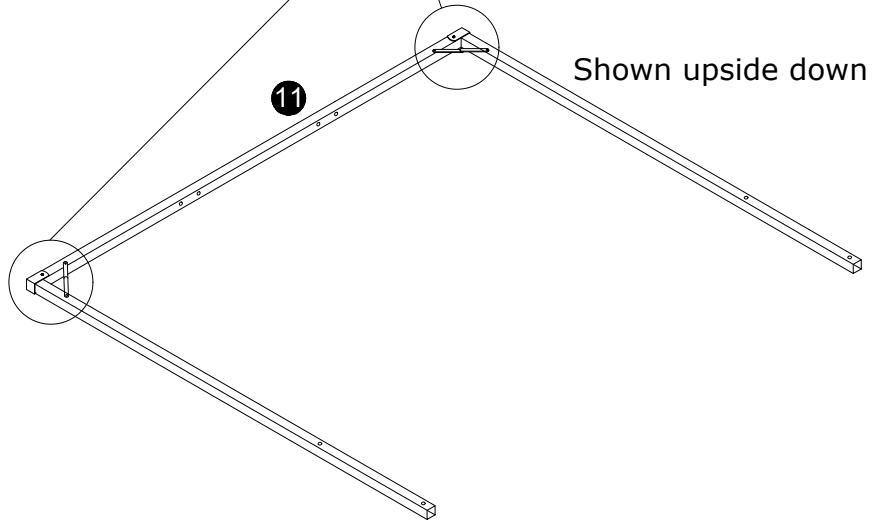
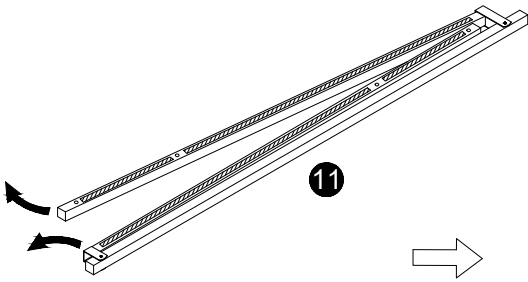
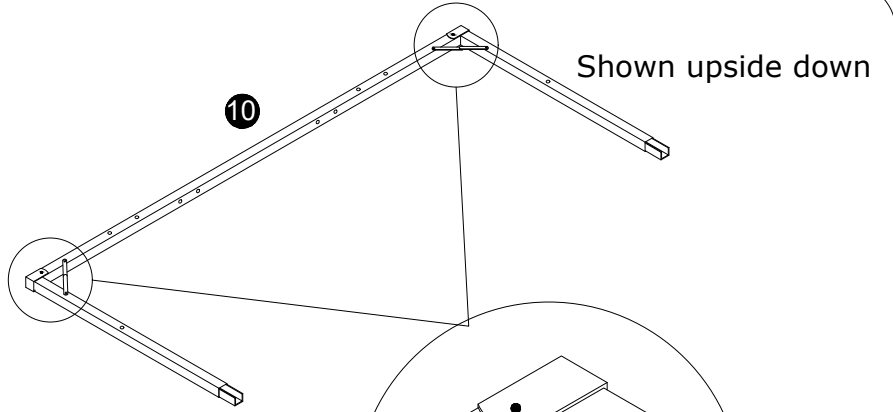
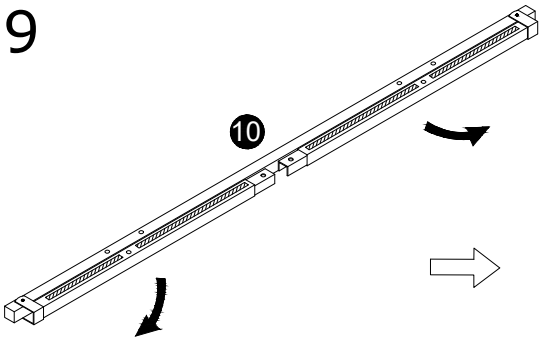


8

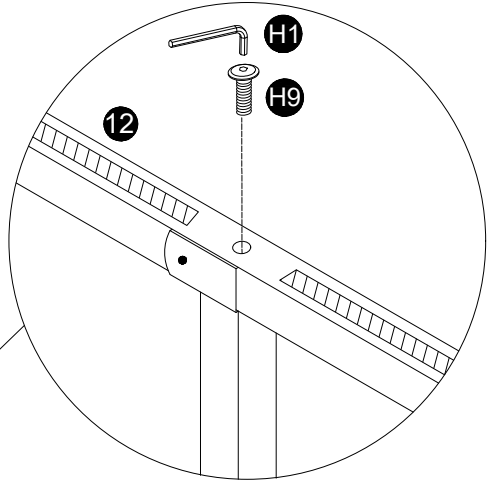
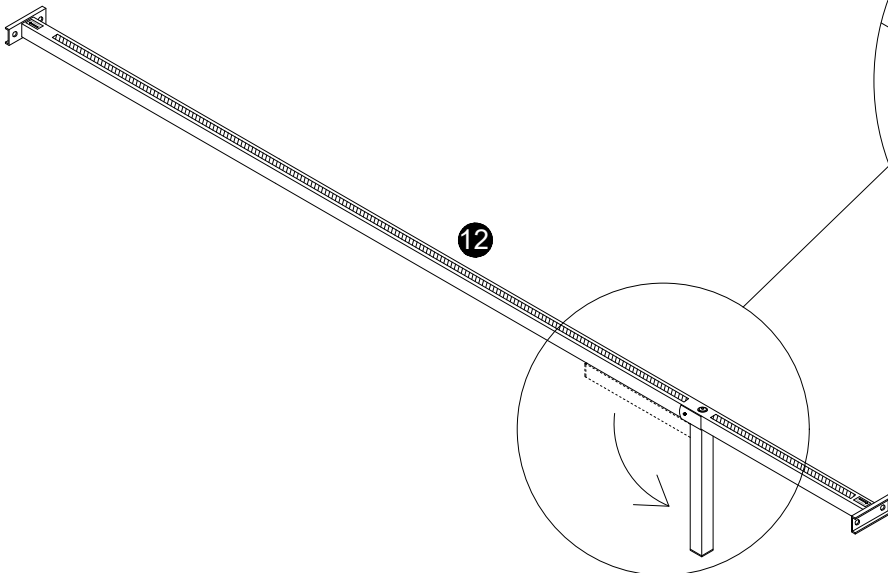


Fully tighten all fixings.

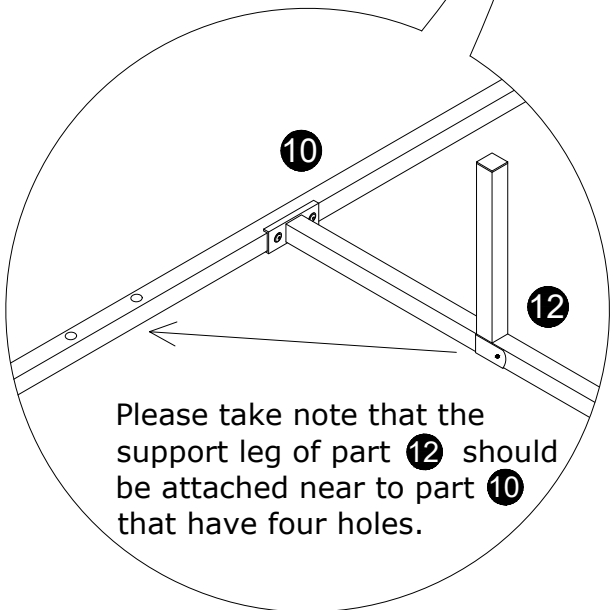
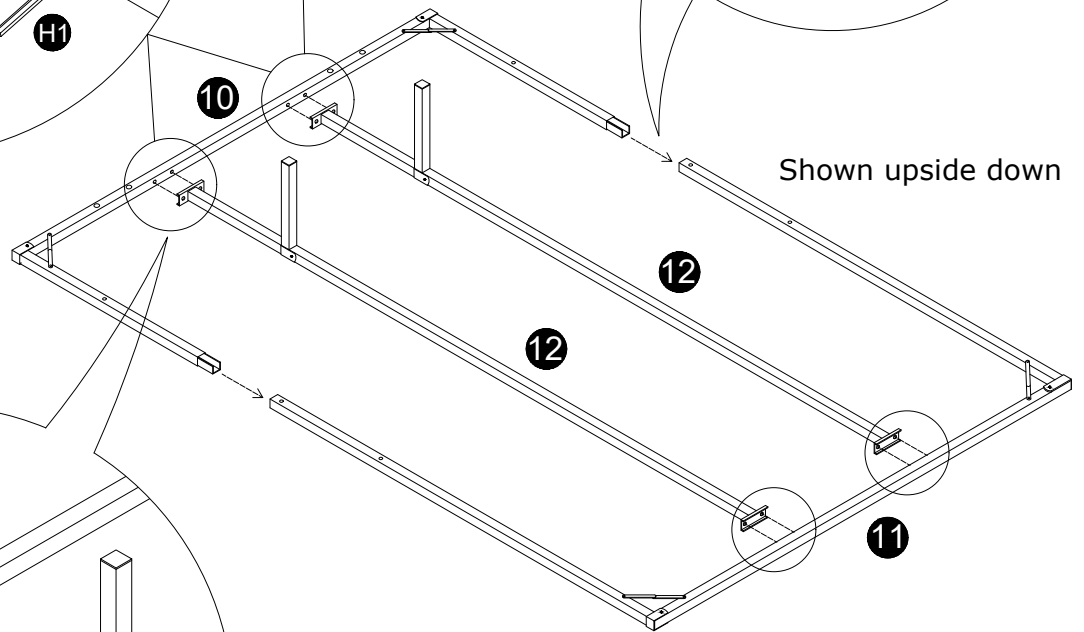
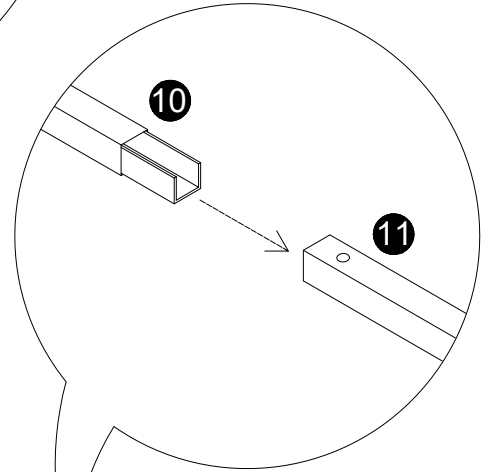
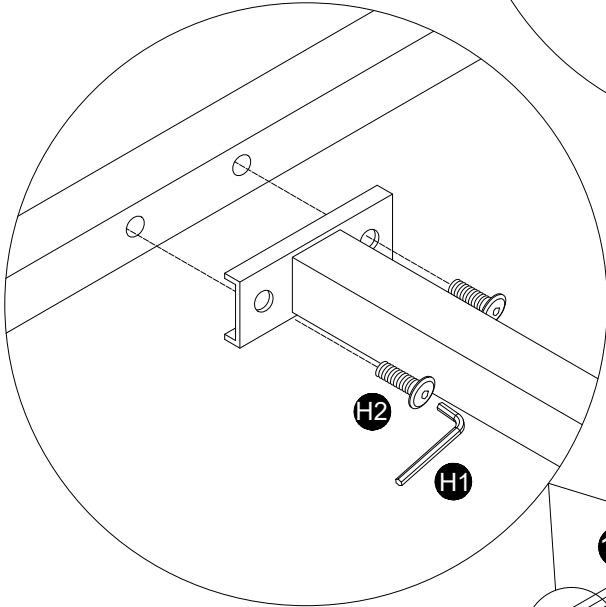
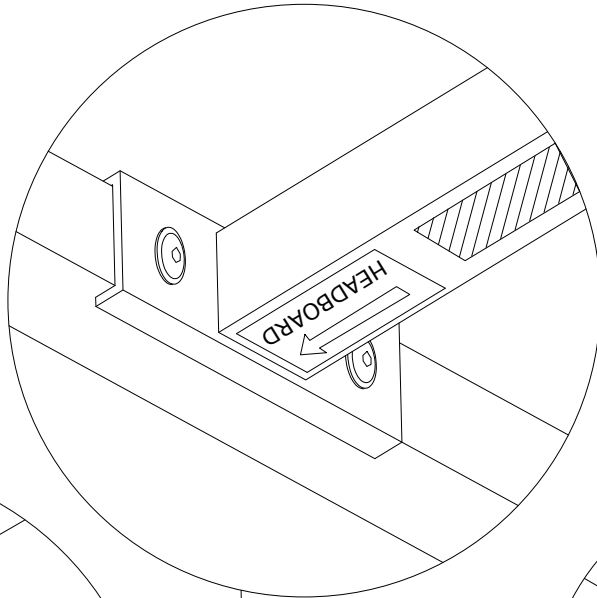
9



10

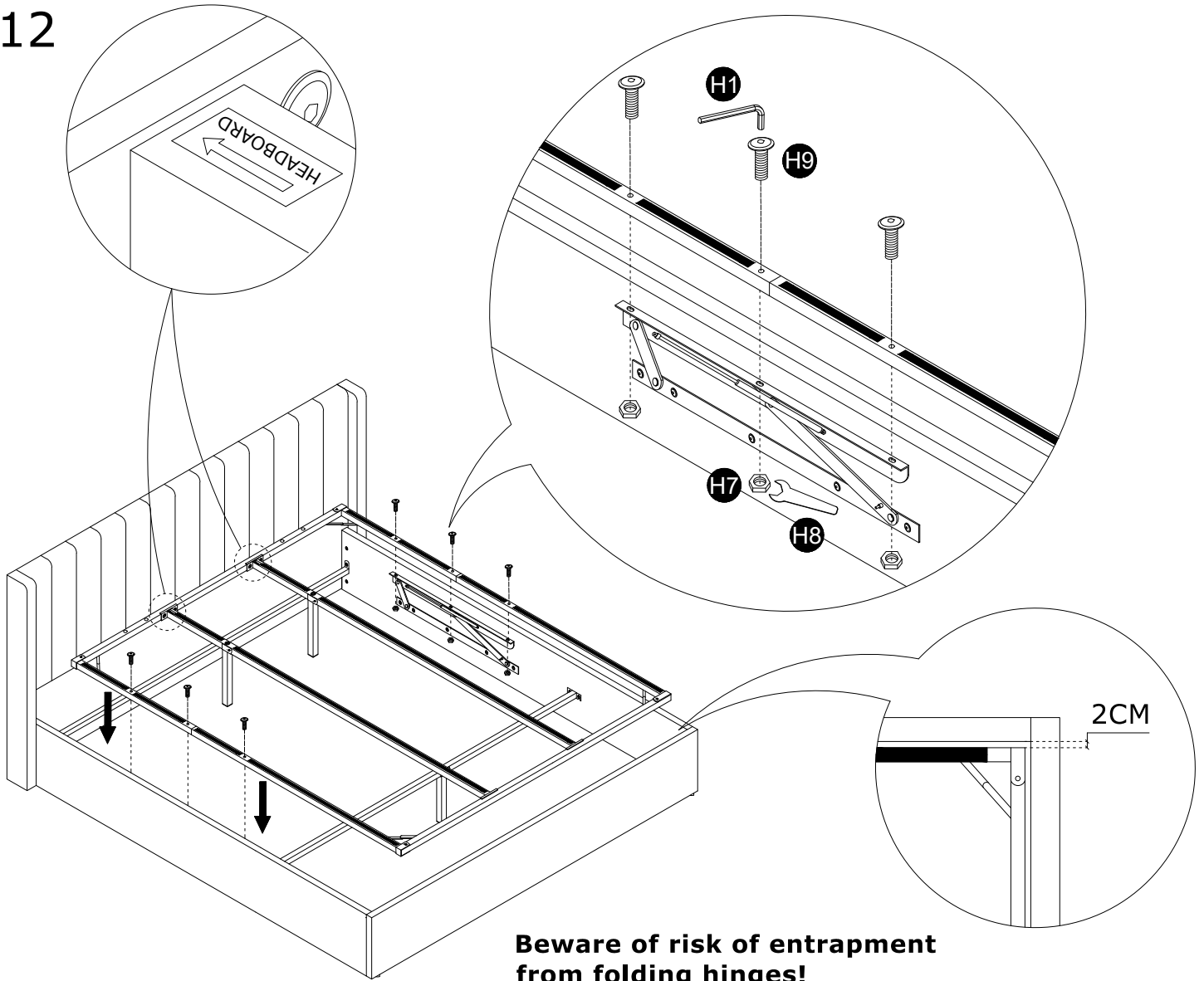


11



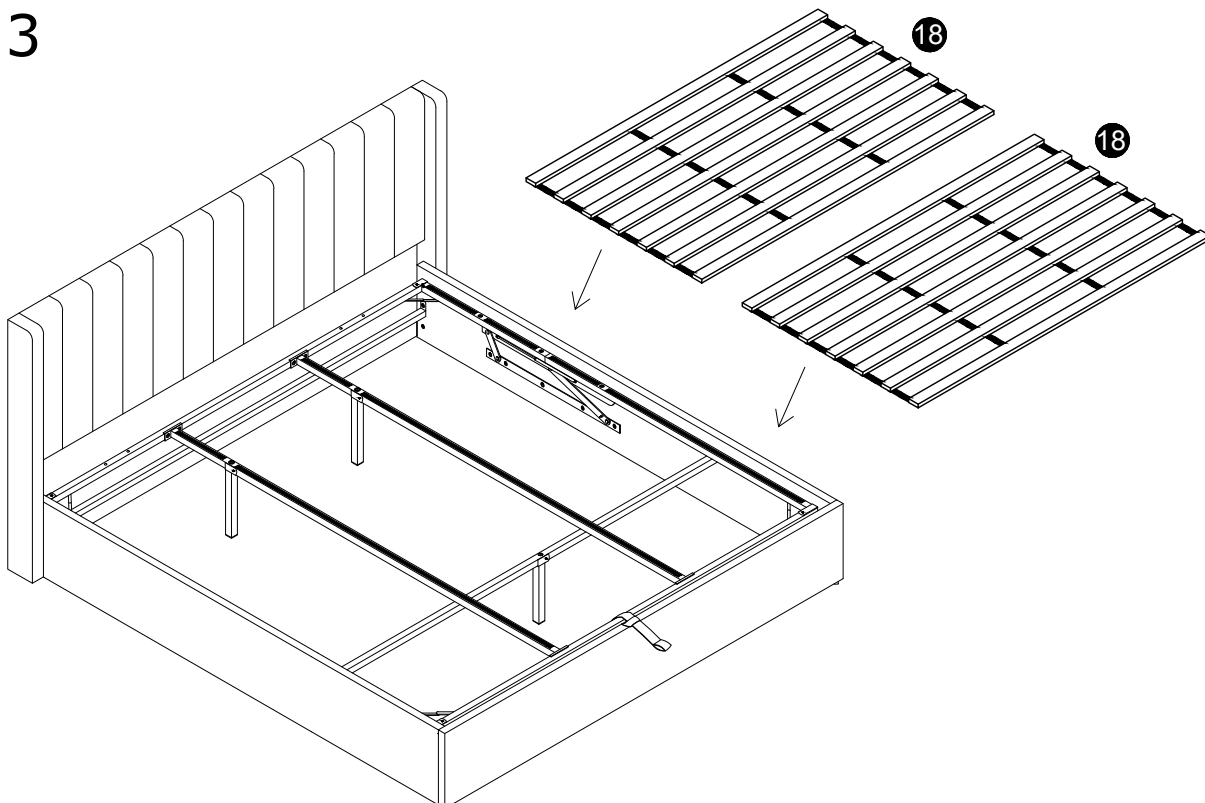
Please take note that the support leg of part 12 should be attached near to part 10 that have four holes.

12

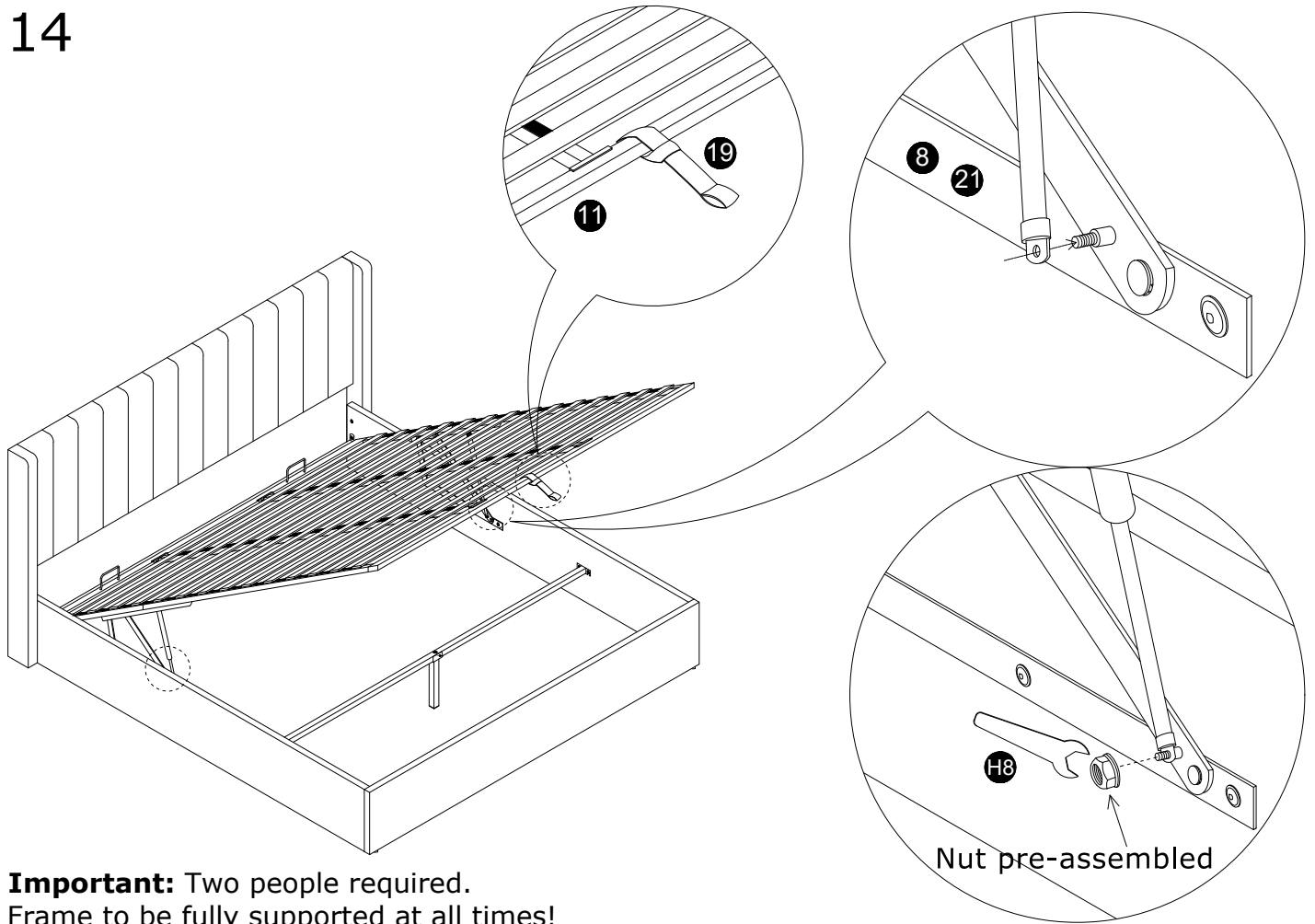


**Beware of risk of entrapment
from folding hinges!**

13

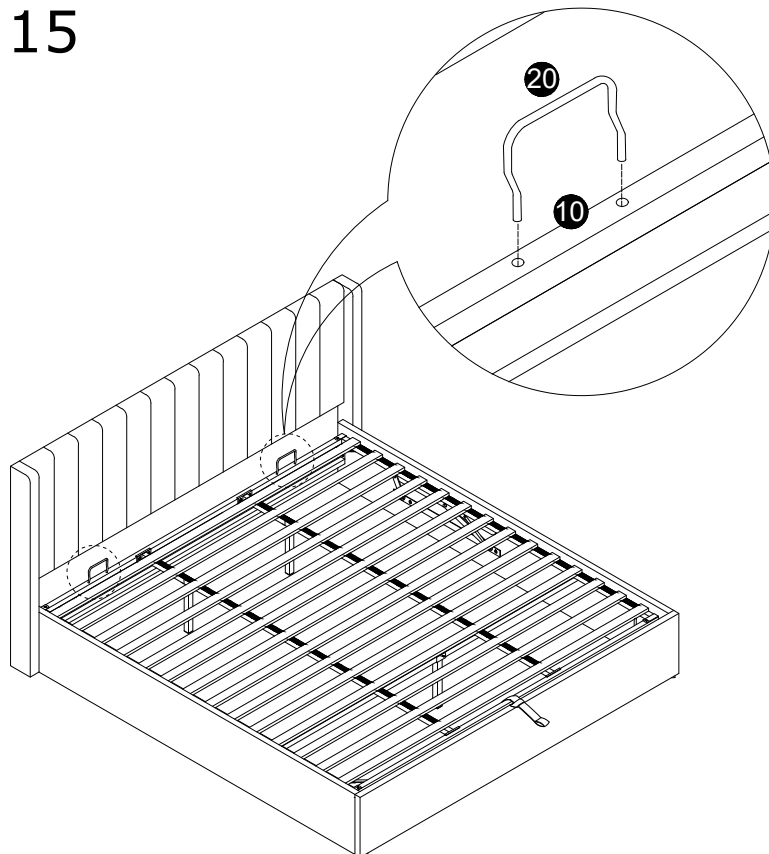


14

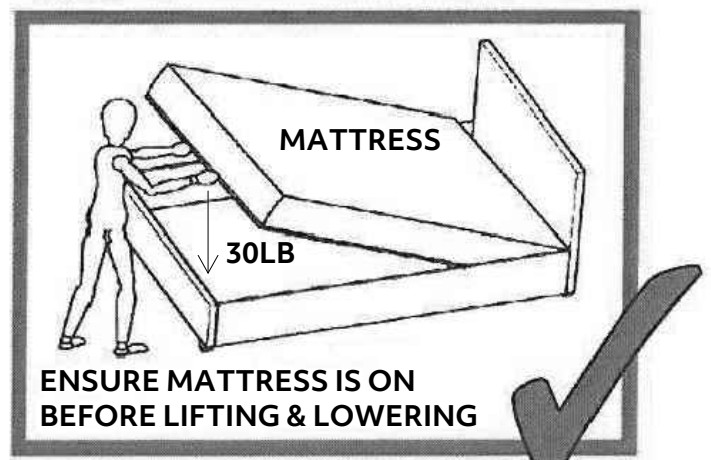


Important: Two people required.
Frame to be fully supported at all times!

15



⚠ Only lift when the mattress is in place.
Place mattress & Carefully lower frame down.
Keep objects/body part & children away from
moving parts.



Job Complete !

In the interest of our environment please dispose of all packaging thoughtfully.