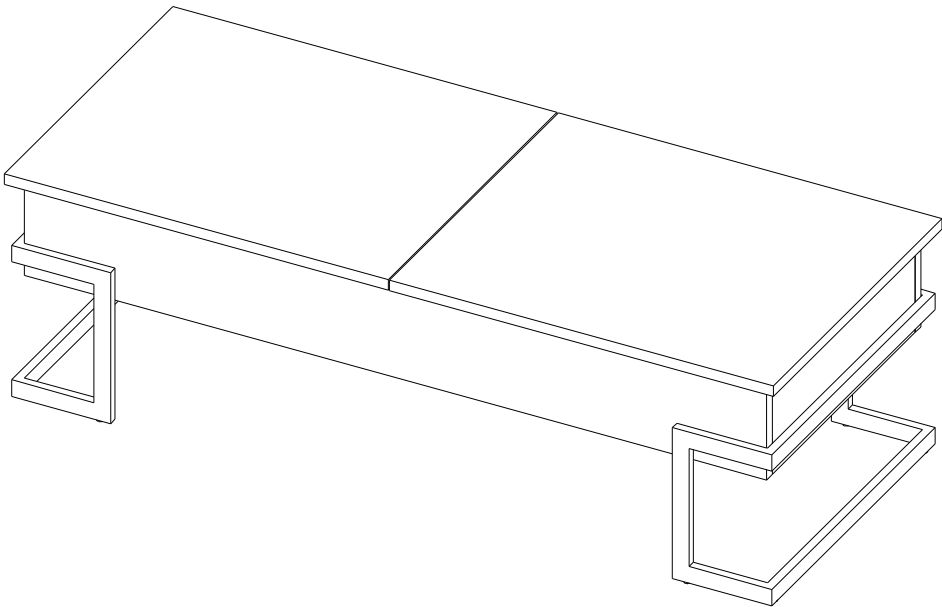
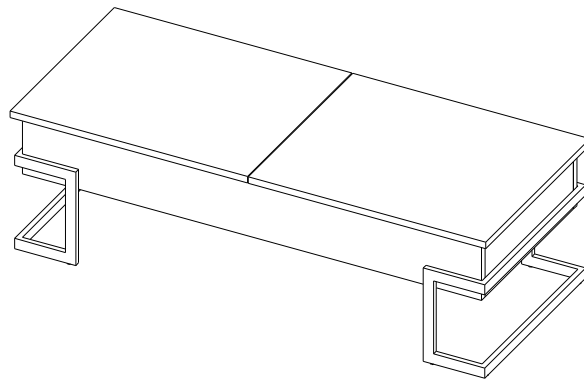


# ASSEMBLY INSTRUCTIONS



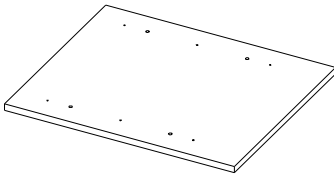
# COFFEE TABLE

# COFFEE TABLE

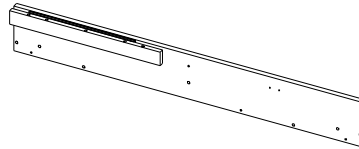


## PARTS LIST

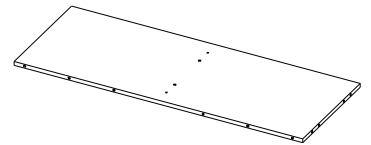
**A** X1



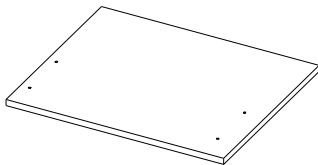
**D** X1



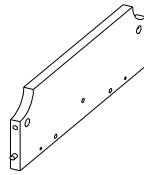
**H** X1



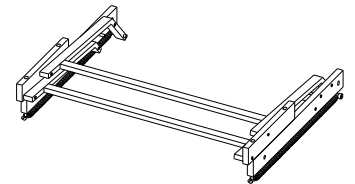
**B** X1



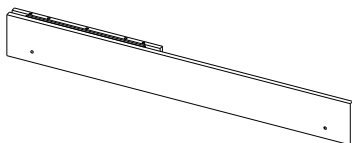
**E** X1



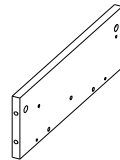
**I** X1



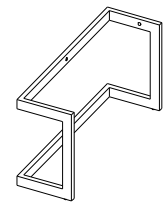
**C** X1



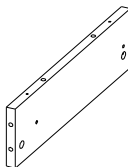
**F** X1



**J** X2



**G** X1

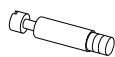


## HARDWARE LIST

**a** X22



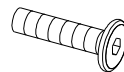
**b** X18



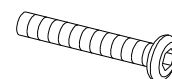
**c** X18



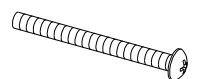
**d** X6



**e** X4



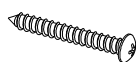
**f** X8



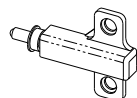
**g** X2



**h** X2



**j** X1



**k** X4

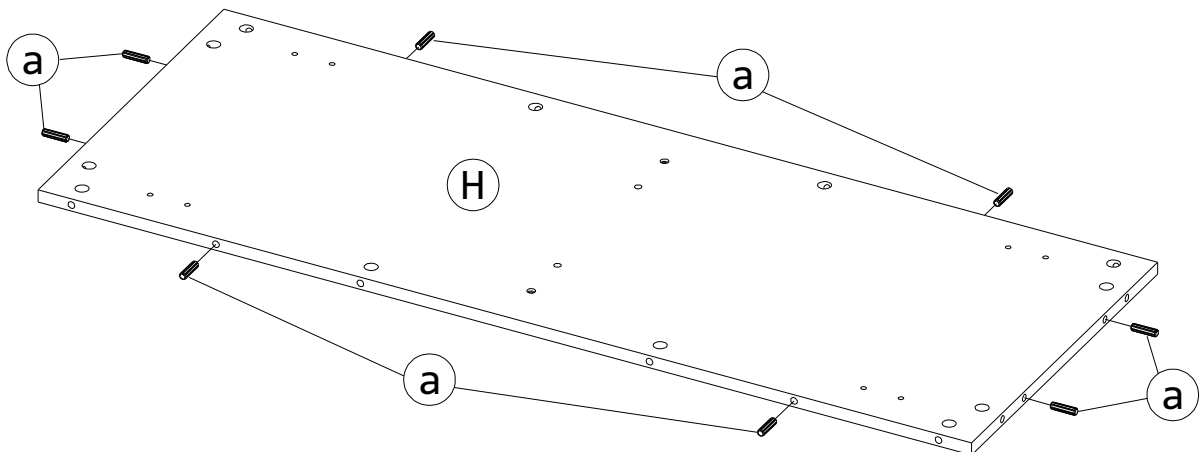
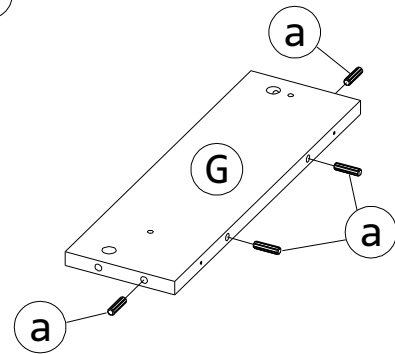
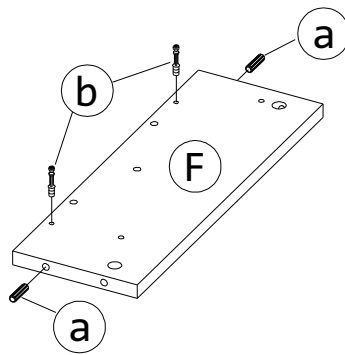
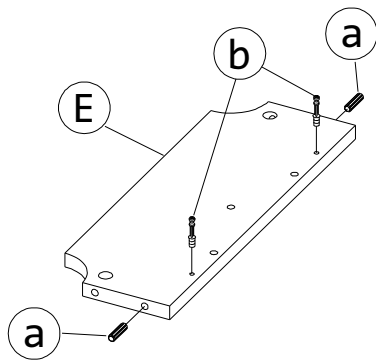
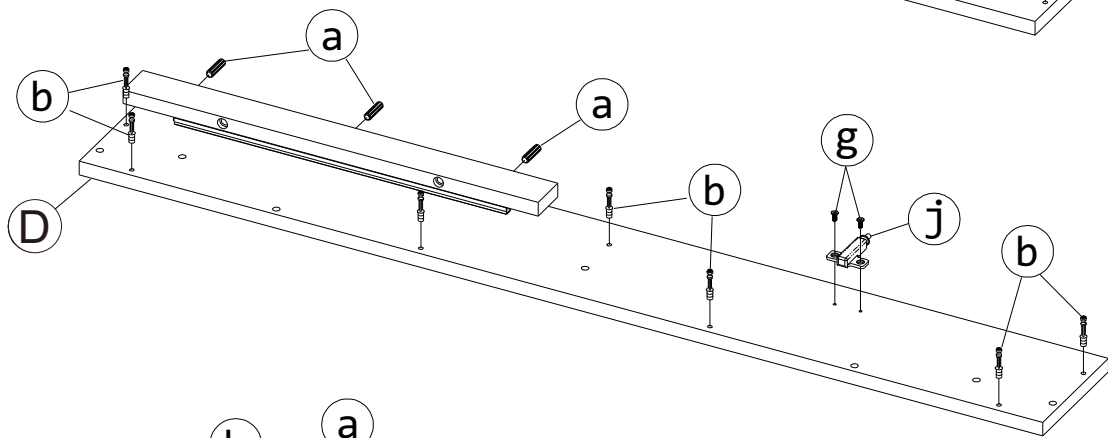
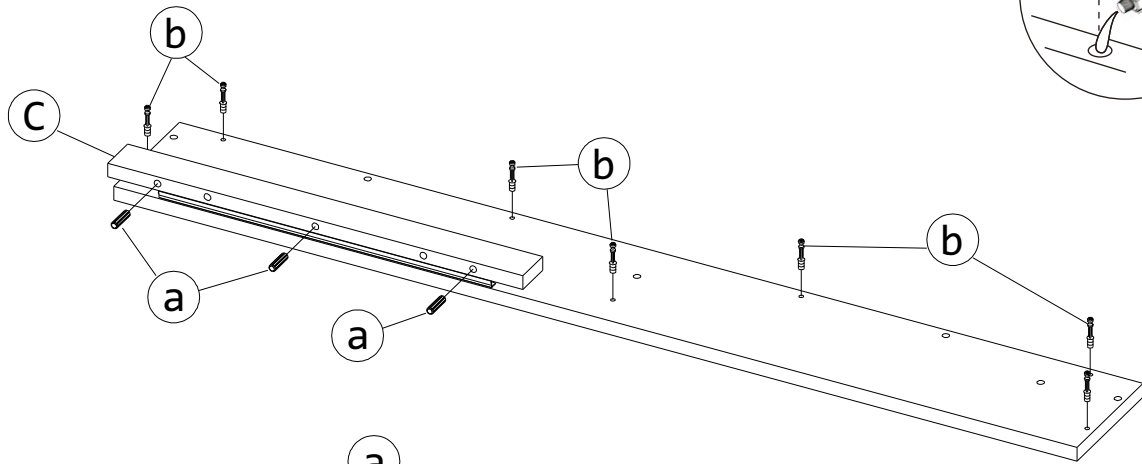
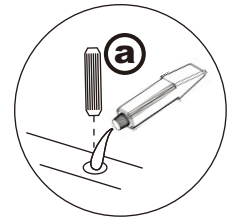


**l** X4



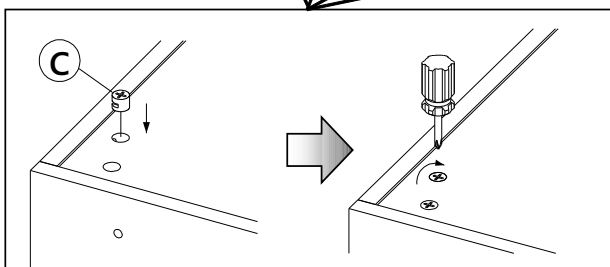
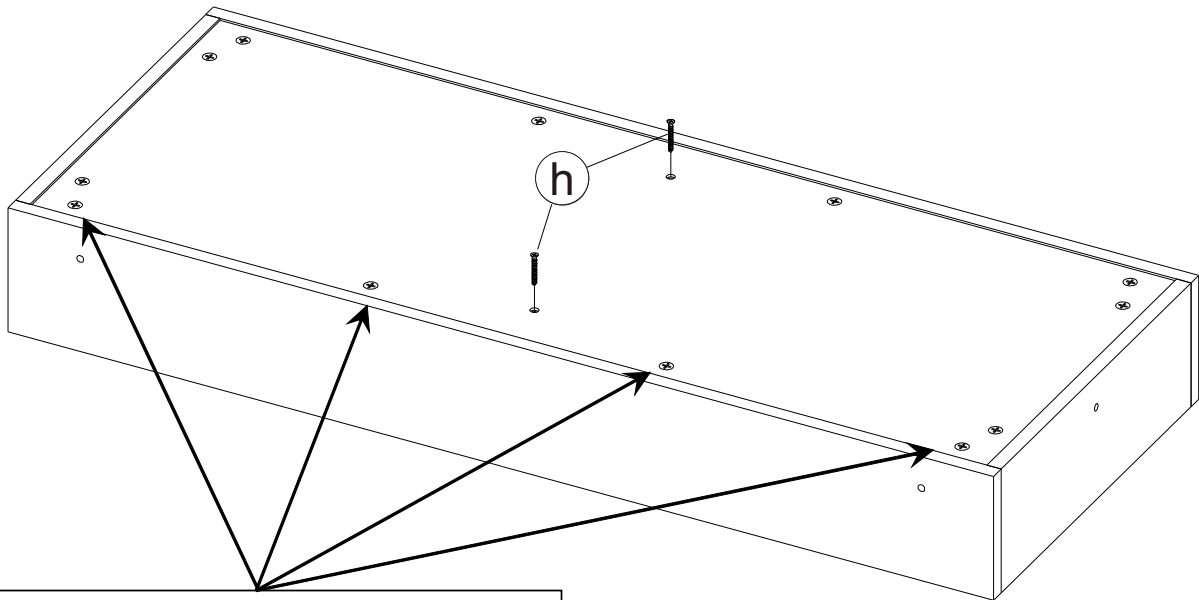
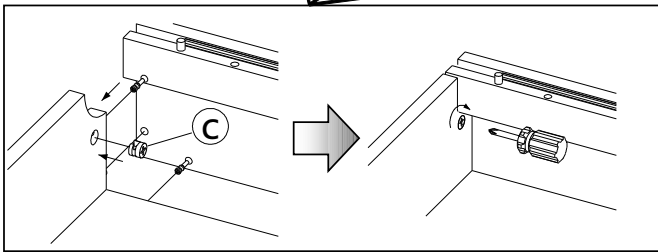
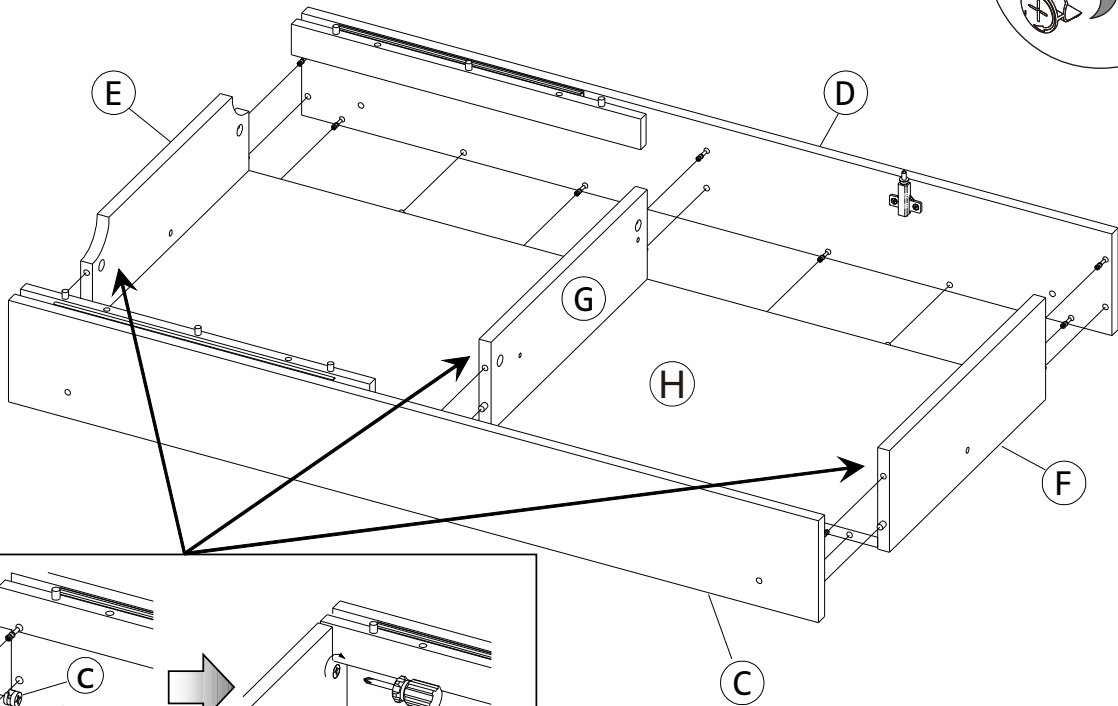
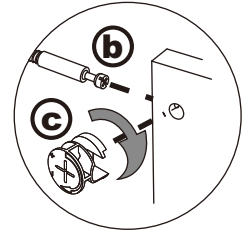
# ASSEMBLY INSTRUCTIONS

## Step 1.



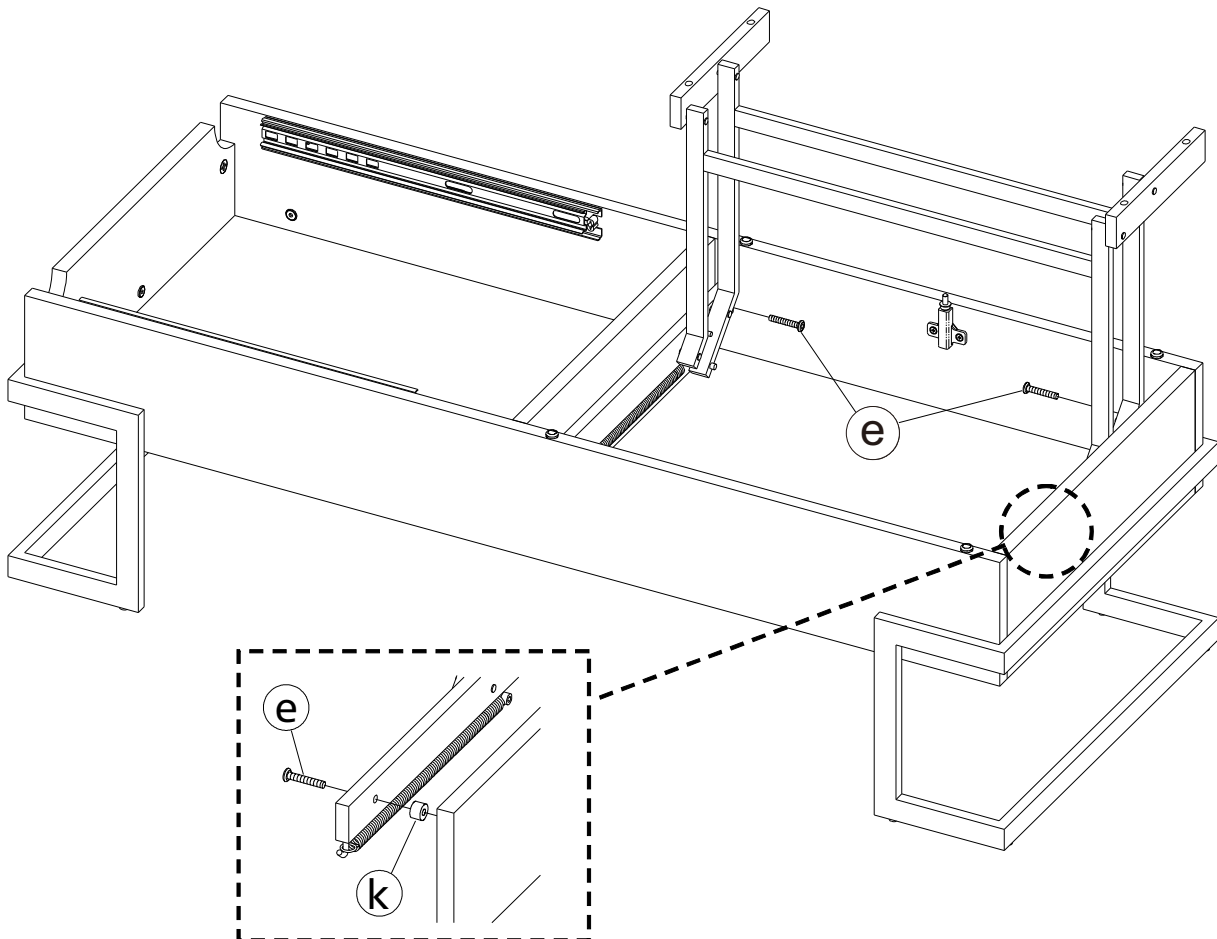
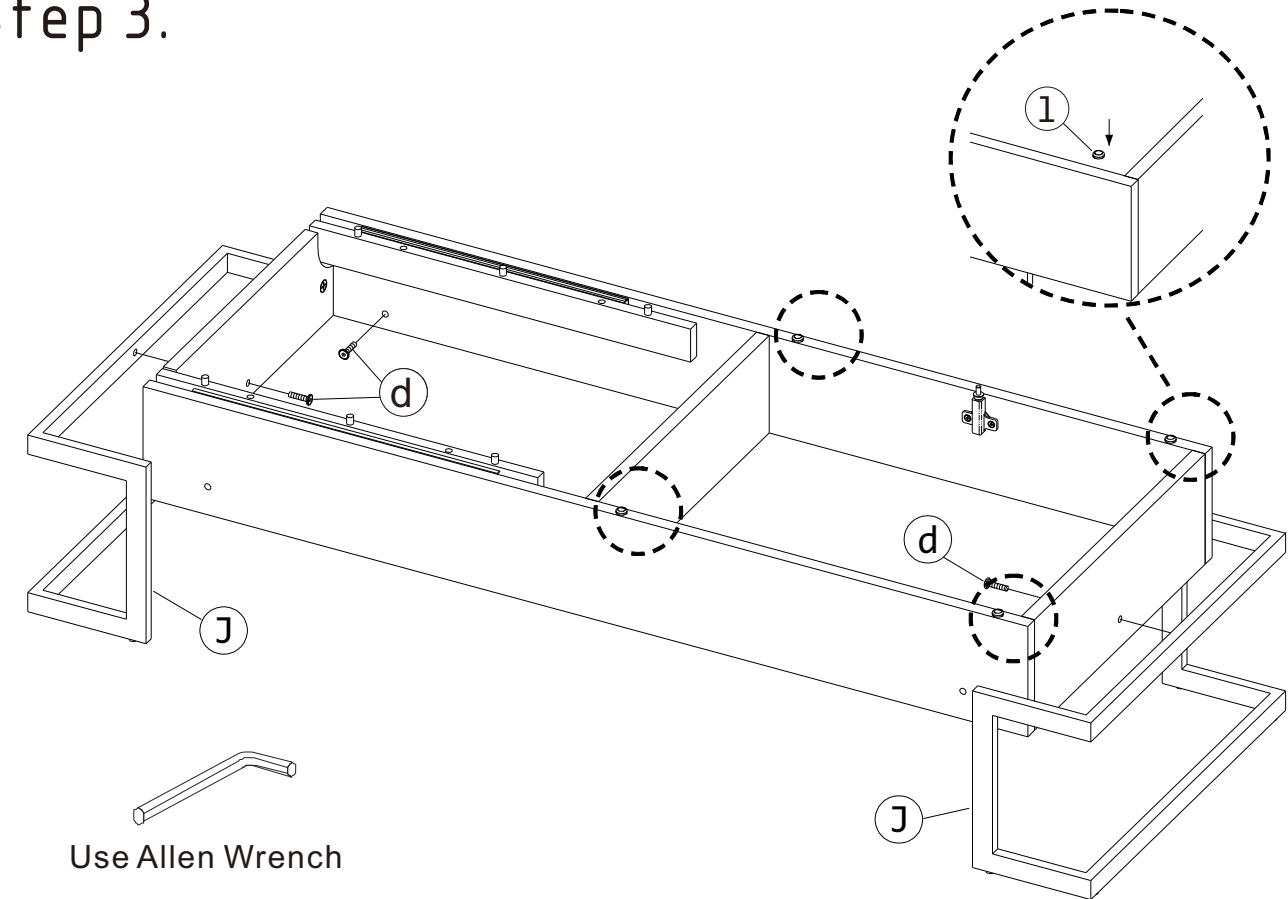
# ASSEMBLY INSTRUCTIONS

Step 2.



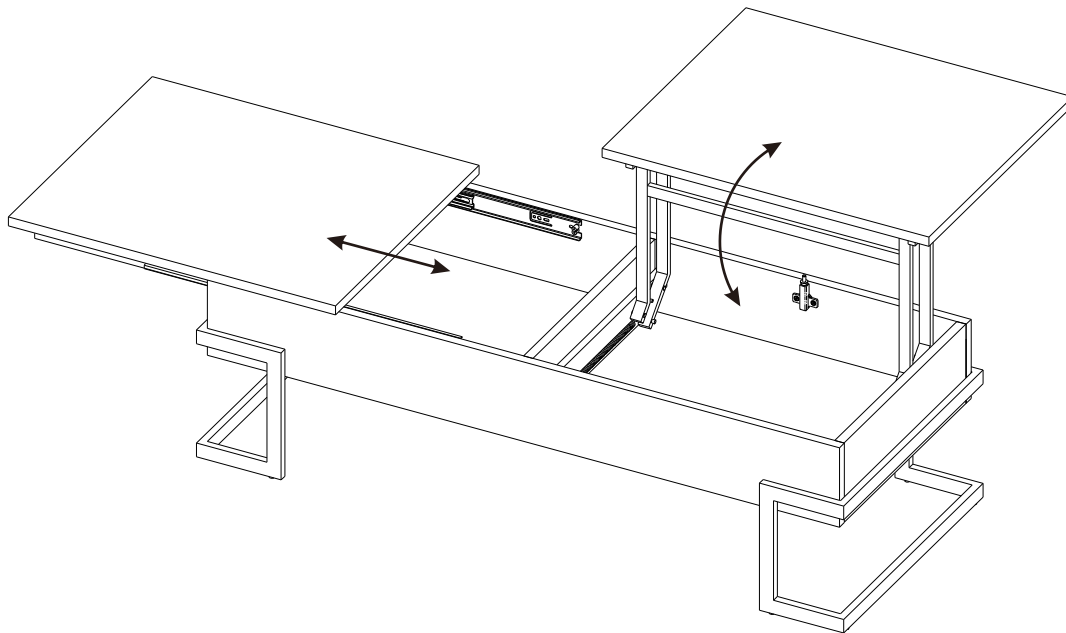
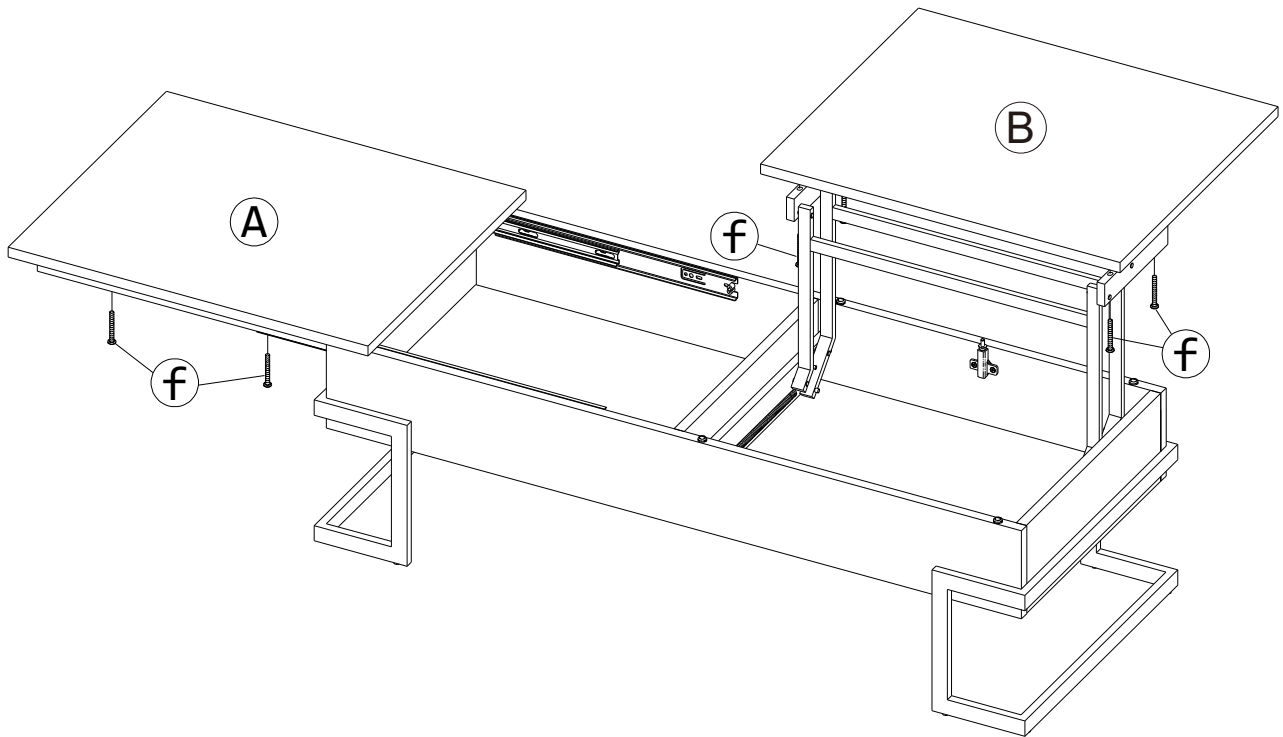
# ASSEMBLY INSTRUCTIONS

## Step 3.



# ASSEMBLY INSTRUCTIONS

## Step 4.



### **ASSEMBLY IS COMPLETED**

Make sure the product is rested on a flat surface and does not feel loose or wobbly. If it does, double check that the bolts/screws are secured and properly tightened.