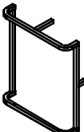
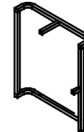

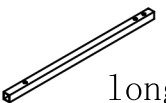

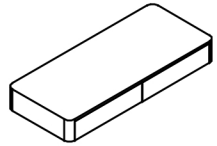
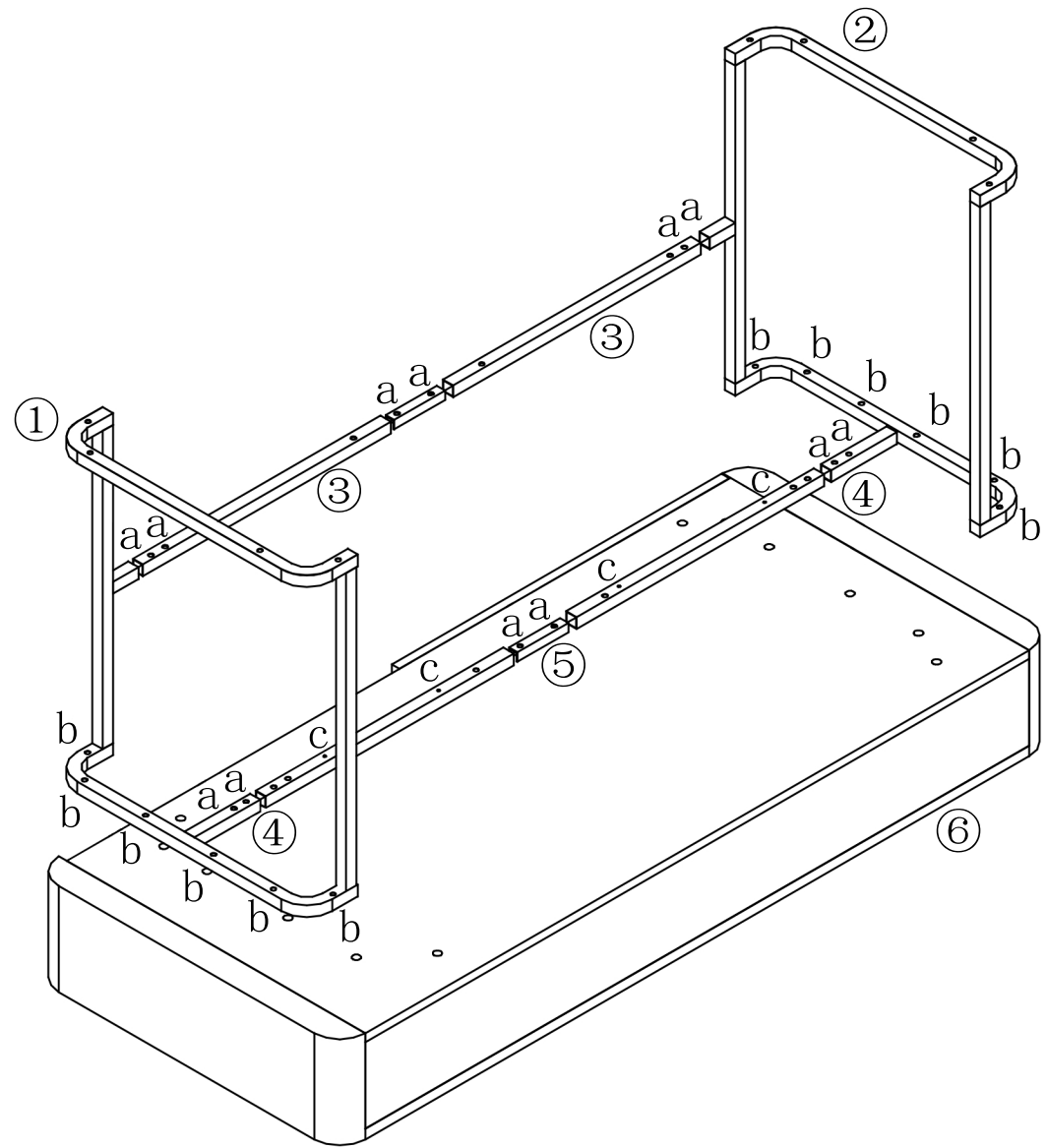


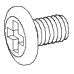
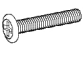
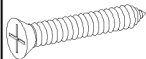
# -Installation

## STEP 1

NO.	Parts	Quantity
①		1
②		1
③	 shoft	2
④	 long	2
⑤		2
⑥		1



## STEP 2

NO.	Parts	Quantity
a		M8*15=12
b		M6*35=12
c		M4*20=4

