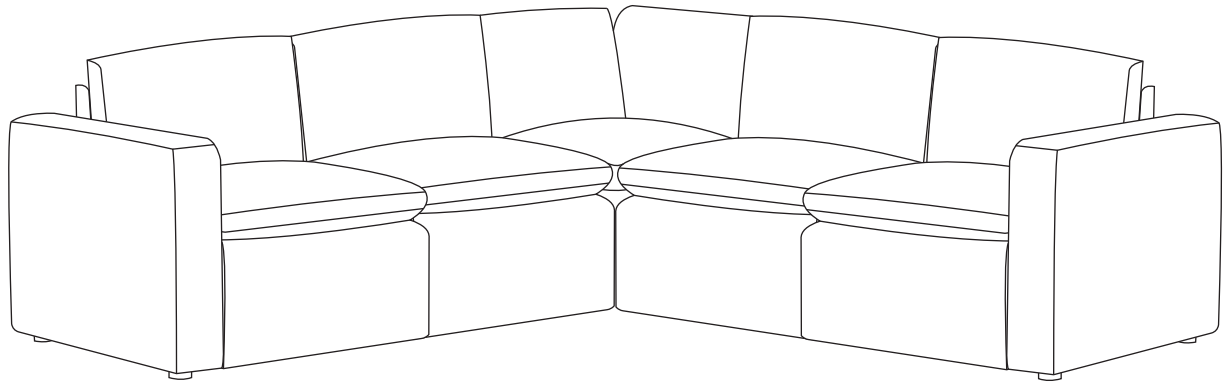


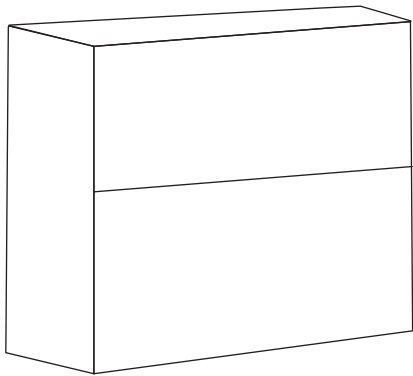
---

# Assemble Instruction

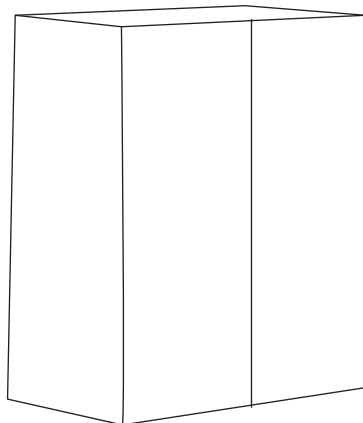


5-Piece sectional Count box

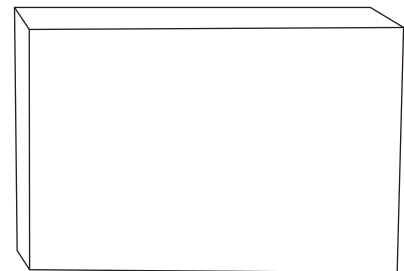
**Corner**



**Armless**

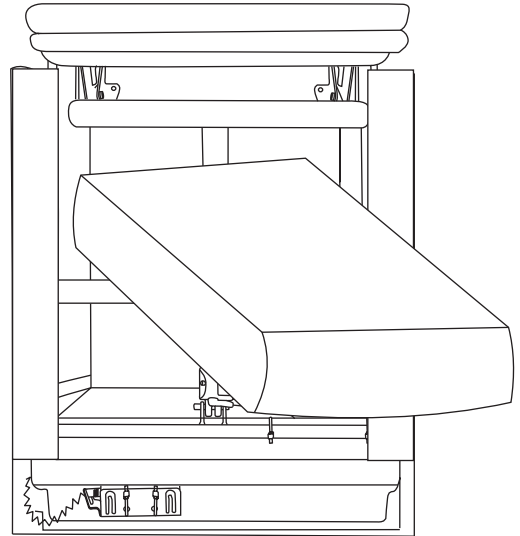
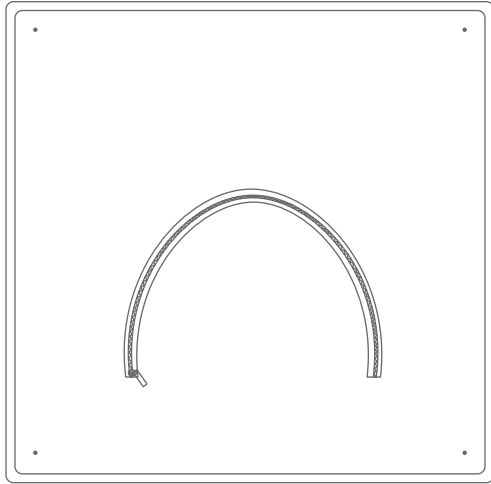


**Arm**



Corner: 1\*Box  
Motion Armless: 2\*Box  
Armless: 2\*Box  
Arm: 2\*Box

**Unzip, take out the legs & pillow from the bottom of the chair base.**

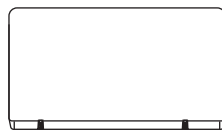


**NOTE. Lay all the pieces down, and ready to assemble.**

## Parts



Back cushion

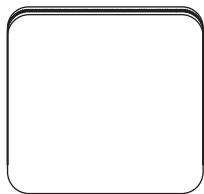


Seat back

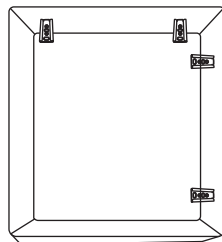


x6

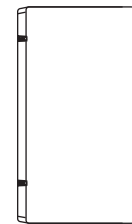
Legs



Seat cushion

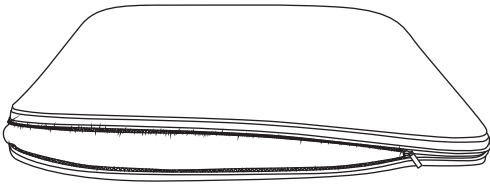


Seat base

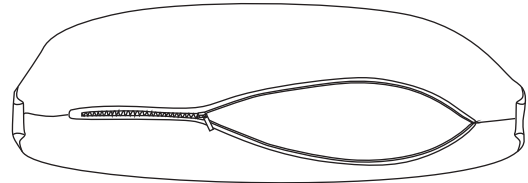


Left Arm

**Step1: Attach the pillow cover and pillow together.**



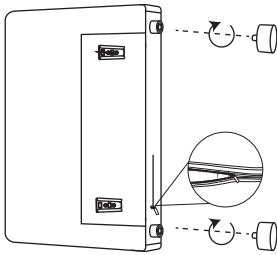
Cushion cover




Backrest cover

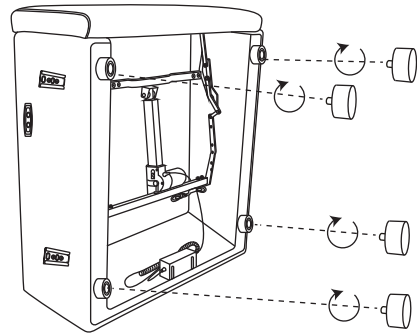
**Step2: Unzip and take out the legs, attach the legs.**

Left Arm



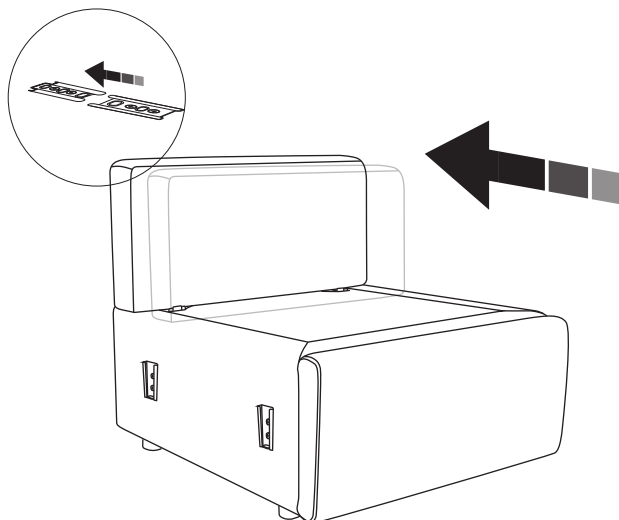
 x2

Base

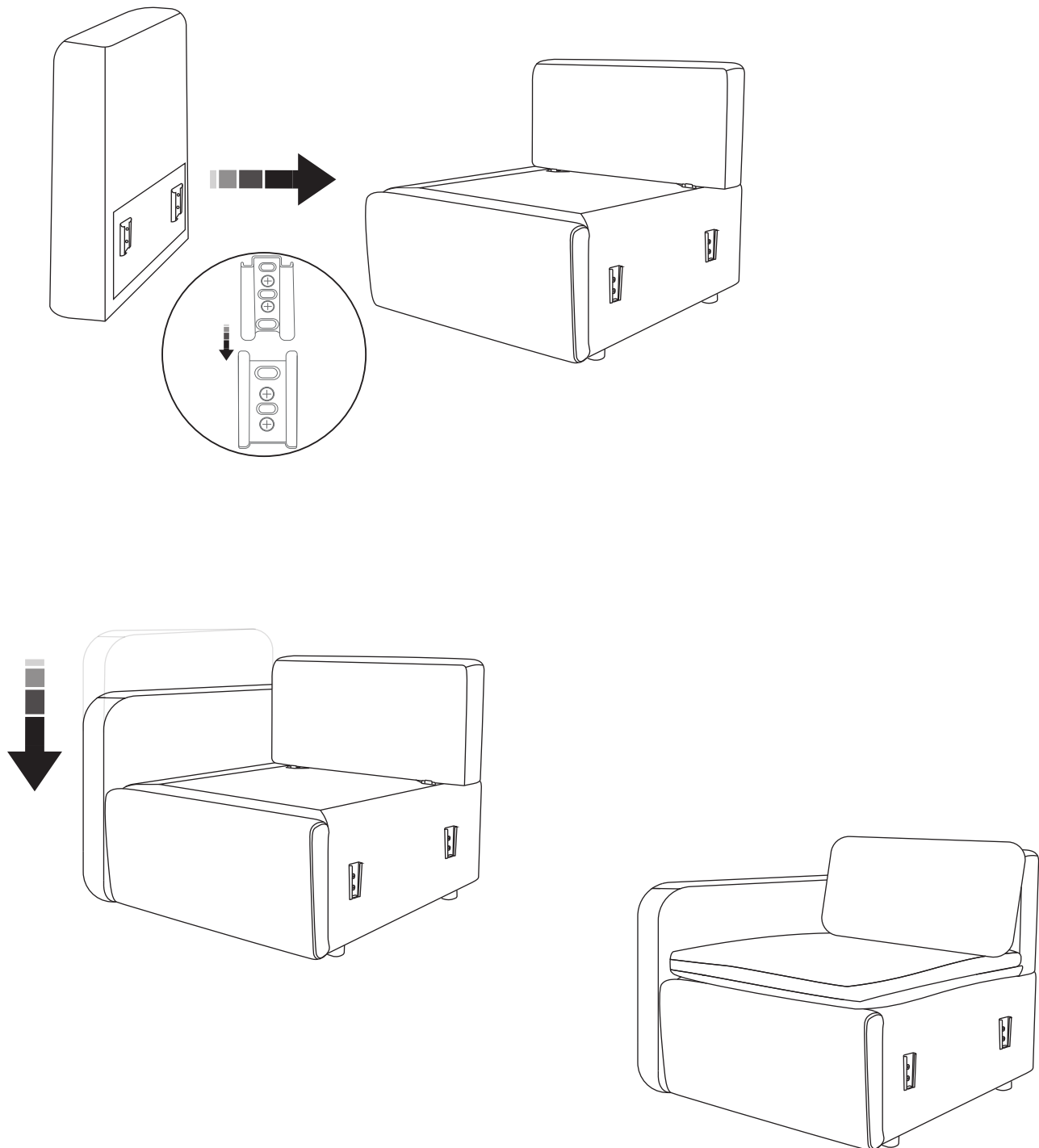


 x4

**Step3: Attach the seat back to the base.**

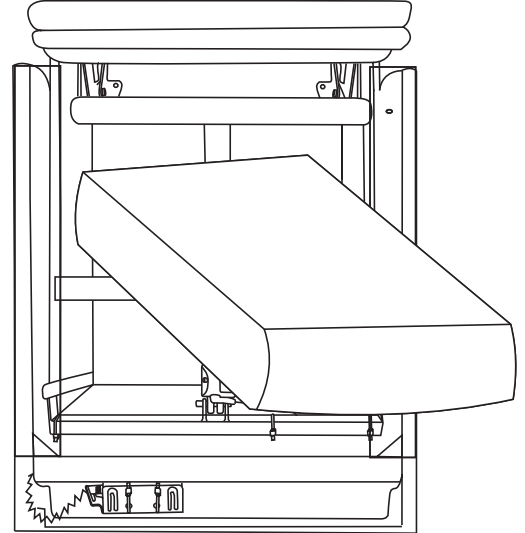
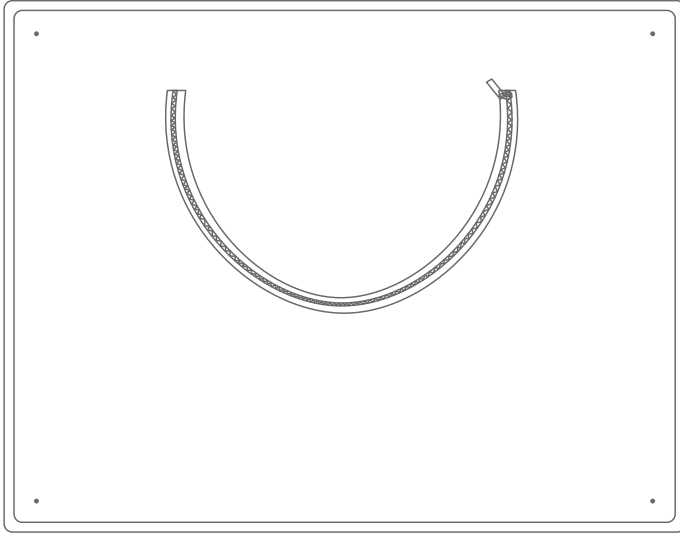


**Step4: Attach the left arm.**



**Place the seat cushion and back cushion to the finished parts.**

**Unzip, take out the legs & pillow from the bottom of the chair base.**

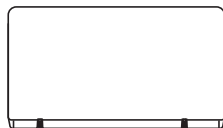


**NOTE. Lay all the pieces down, and ready to assemble.**

## Parts



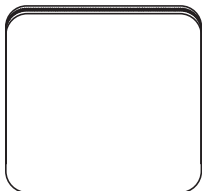
Back cushion



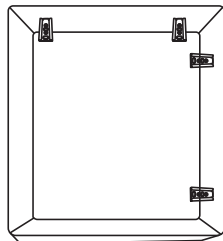
Seat back



Legs



Seat cushion

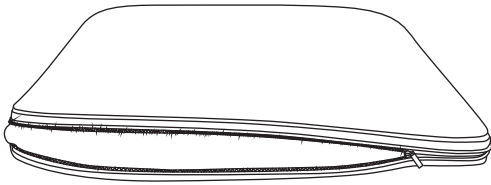


Seat base

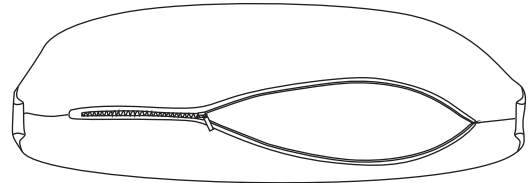


Right Arm

**Step1: Attach the pillow cover and pillow together.**



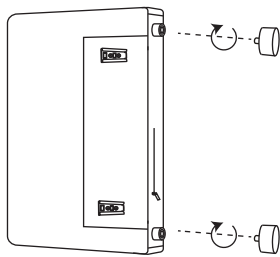
Cushion cover



Backrest cover

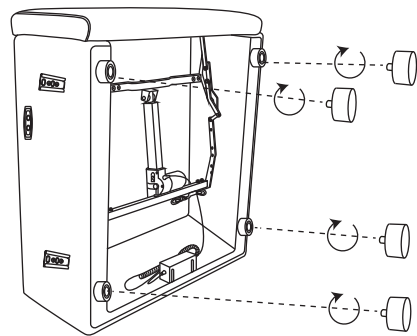
**Step2: Attach the legs.**

Right arm



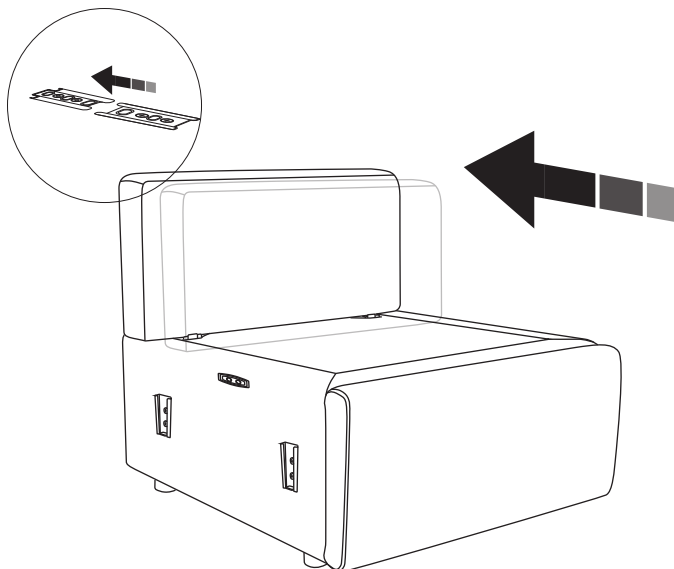
x2

Base

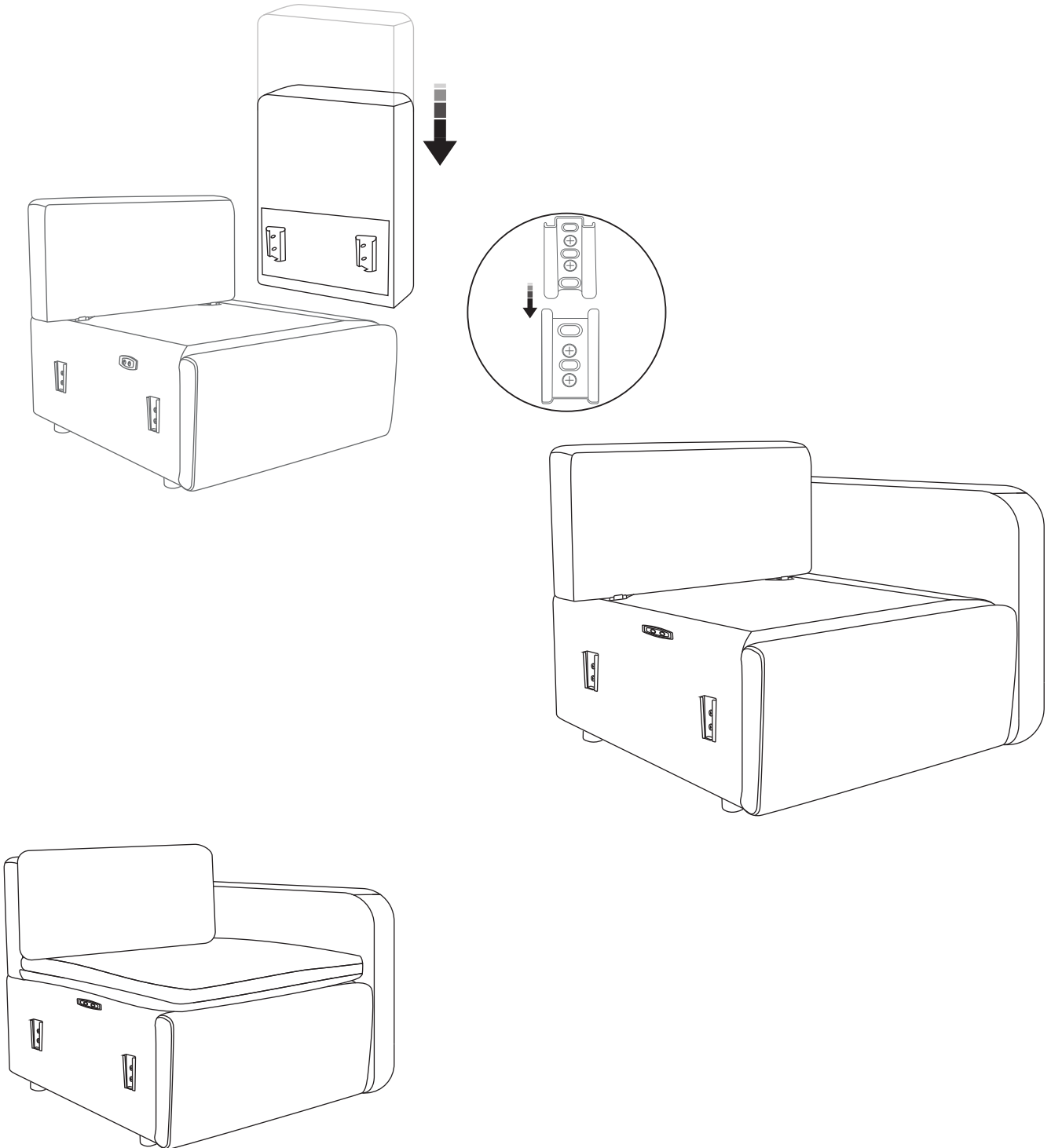


x4

**Step3: Attach the seat back to the base.**

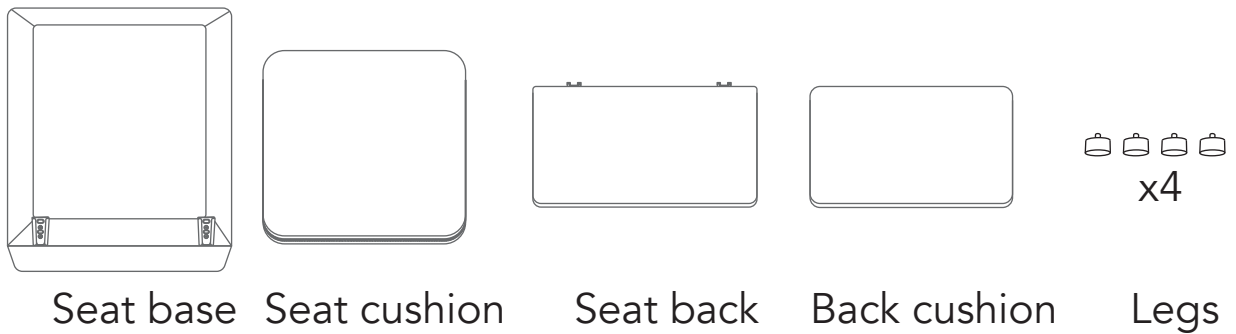


**Step4: Attach the left arm.**

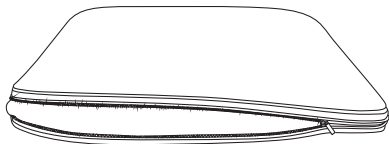


**Place the seat cushion and back cushion to the finished parts.**

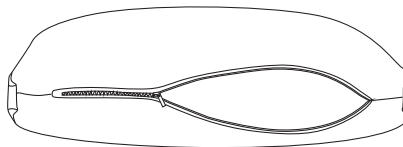
## Parts



### Step1: Attach the pillow cover and pillow together.

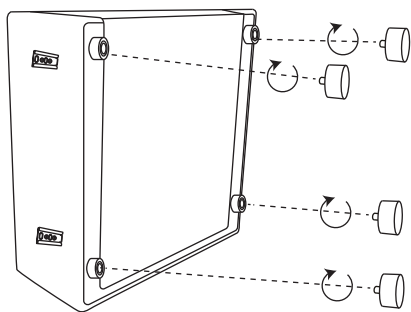


Cushion cover



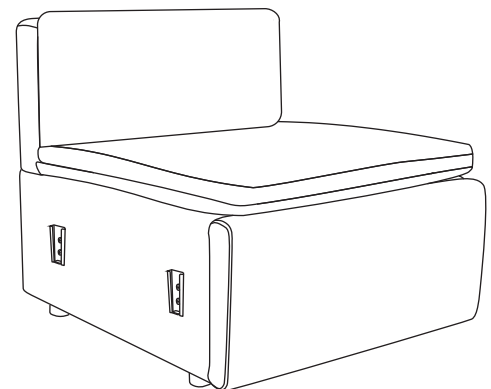
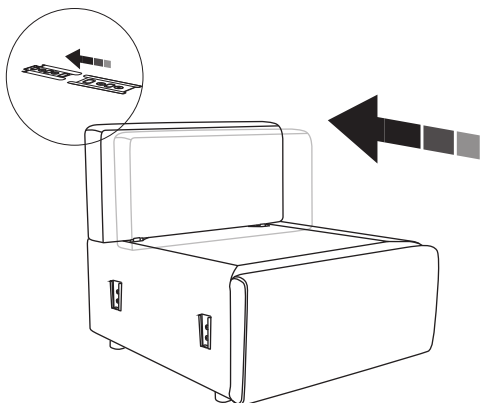
Backrest cover

### Step2: Attach the legs.



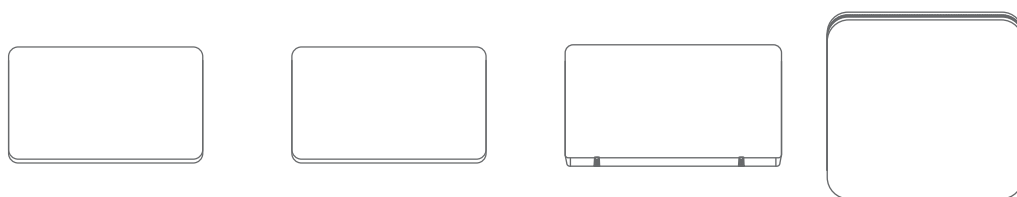
Legs x4

### Step3: Attach the seat back to the base.

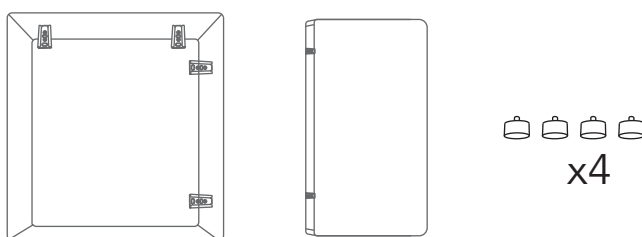


Place the seat cushion and back cushion to the finished parts.

# Parts

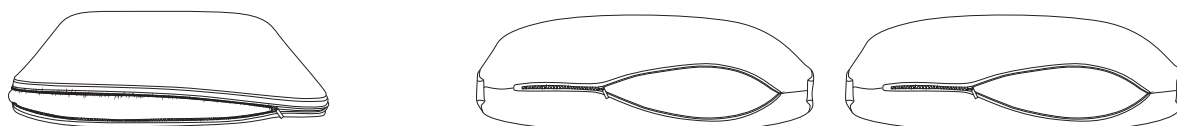


Back cushion    Back cushion    Seat back    Seat cushion



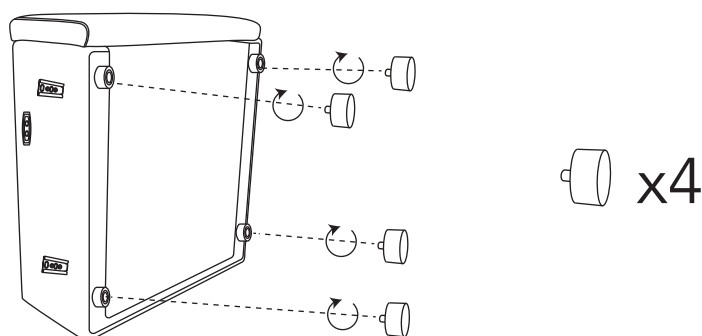
Base    Seat back    Legs

## Step1: Attach the pillow cover and pillow together.

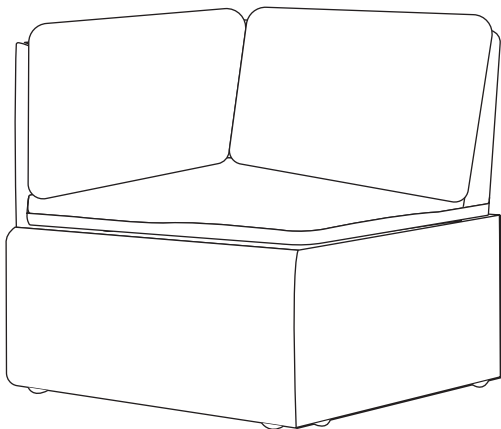
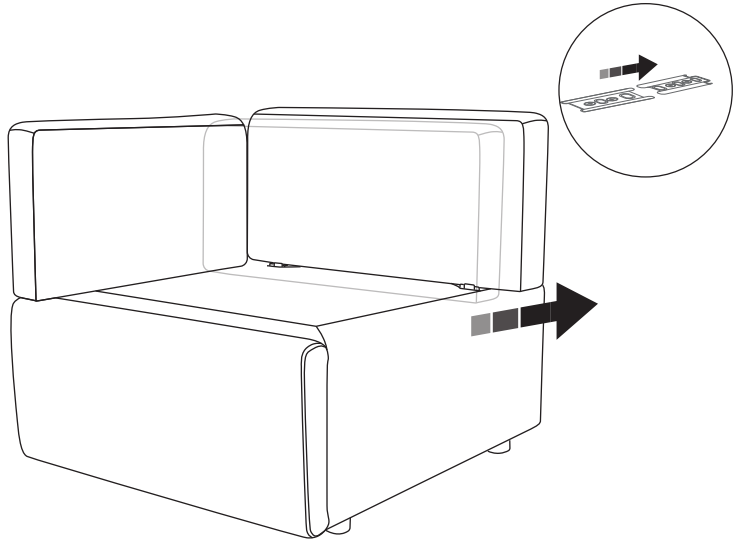
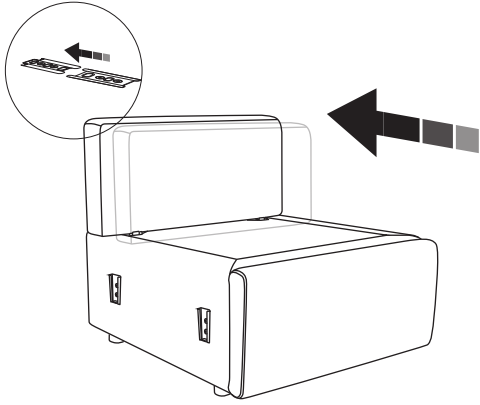


Cushion cover    Backrest cover    Backrest cover

## Step2: Attach the legs



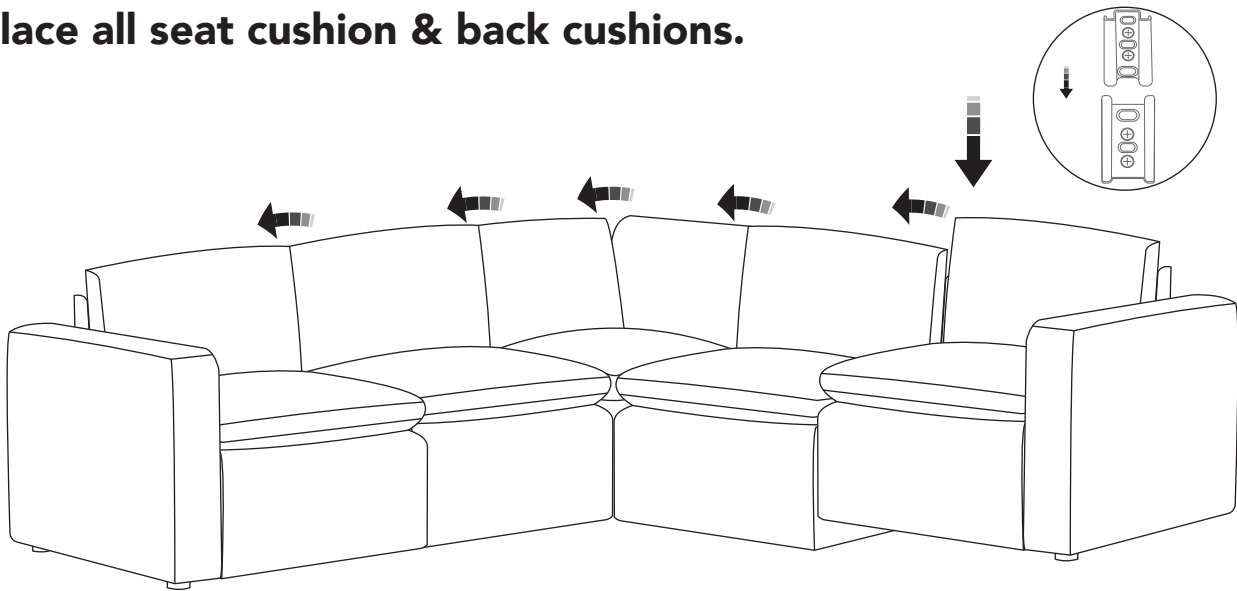
**Step3: Connect the seat back and seat base.**



**Place the seat cushion and back cushion to the finished parts.**

**Place all piece together.**

**Place all seat cushion & back cushions.**



**Press the button and enjoy your new recliner.**

