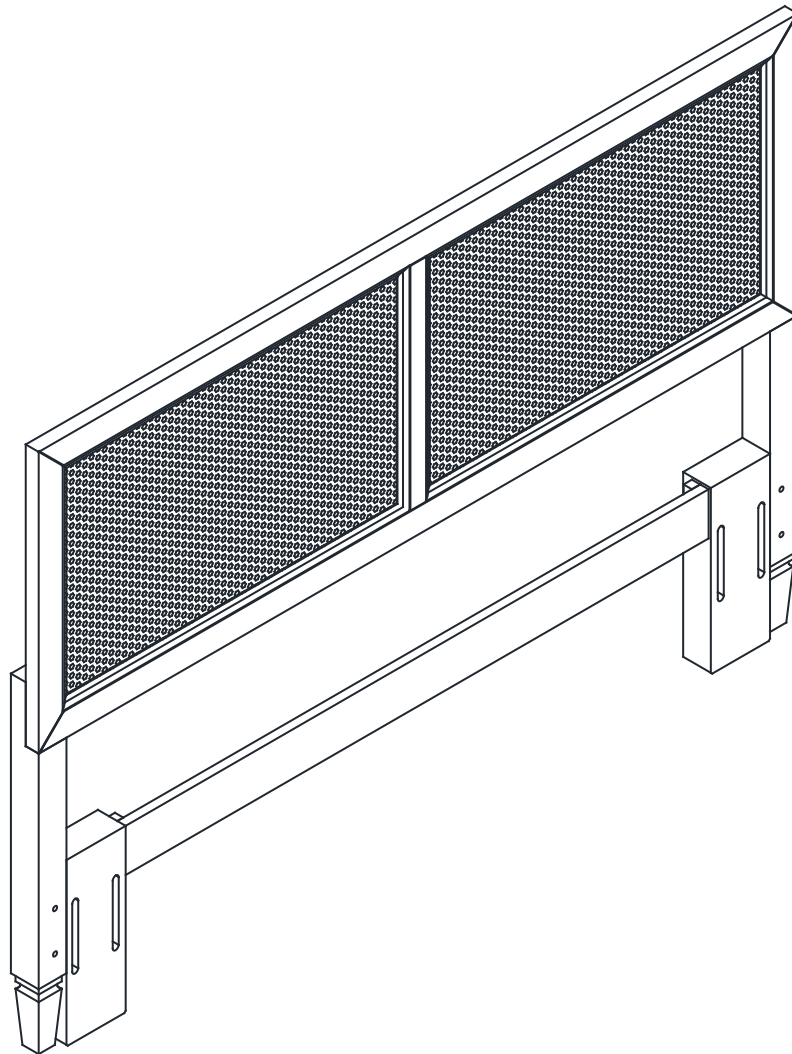
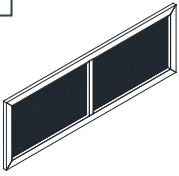


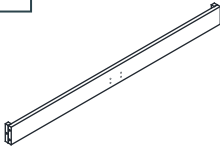


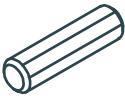
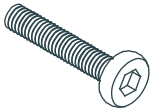
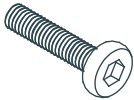



# Queen / King Headboard



# PART LIST

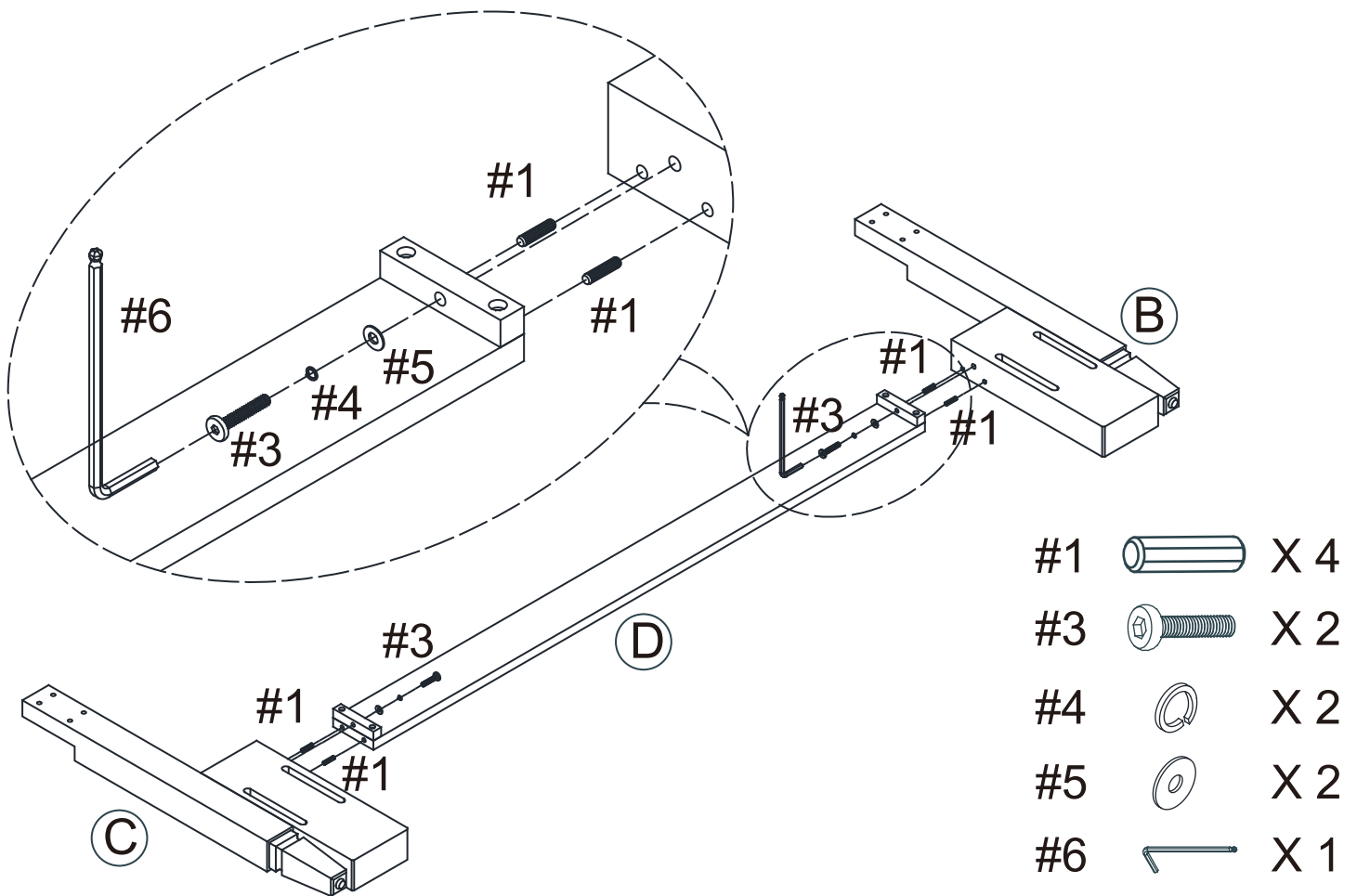
<div data-bbox="118 136 165 192" data-label="Text"><b>A</b></div> 	<div data-bbox="399 136 446 192" data-label="Text"><b>B</b></div> 	<div data-bbox="678 136 726 192" data-label="Text"><b>C</b></div> 	<div data-bbox="957 136 1005 192" data-label="Text"><b>D</b></div> 
<div data-bbox="153 394 354 434" data-label="Text">Headboard</div> <div data-bbox="197 488 293 528" data-label="Text">1 PC</div>	<div data-bbox="443 394 609 434" data-label="Text">Left Post</div> <div data-bbox="485 488 580 528" data-label="Text">1 PC</div>	<div data-bbox="708 394 903 439" data-label="Text">Right Post</div> <div data-bbox="756 488 852 528" data-label="Text">1 PC</div>	<div data-bbox="1008 394 1177 434" data-label="Text">Crossbar</div> <div data-bbox="1043 488 1139 528" data-label="Text">1 PC</div>

# HARDWARE LIST

<div data-bbox="118 719 165 775" data-label="Text"><b>#1</b></div>  <div data-bbox="156 936 354 976" data-label="Text">Ø8mm*1-1/8"</div>	<div data-bbox="399 719 446 775" data-label="Text"><b>#2</b></div>  <div data-bbox="475 936 600 976" data-label="Text">Ø1/4"*2"</div>	<div data-bbox="678 719 726 775" data-label="Text"><b>#3</b></div>  <div data-bbox="727 936 909 976" data-label="Text">Ø1/4"*1-3/8"</div>	<div data-bbox="957 719 1005 775" data-label="Text"><b>#4</b></div> 	<div data-bbox="1236 719 1284 775" data-label="Text"><b>#5</b></div> 
<div data-bbox="153 994 341 1034" data-label="Text">Wood Dowel</div> <div data-bbox="134 1070 363 1111" data-label="Text">4 PCS (Extra 1)</div>	<div data-bbox="446 994 638 1034" data-label="Text">Medium Bolt</div> <div data-bbox="418 1070 651 1111" data-label="Text">8 PCS (Extra 1)</div>	<div data-bbox="740 994 893 1034" data-label="Text">Short Bolt</div> <div data-bbox="699 1070 932 1111" data-label="Text">2 PCS (Extra 1)</div>	<div data-bbox="976 994 1197 1034" data-label="Text">Spring Washer</div> <div data-bbox="963 1070 1209 1111" data-label="Text">10 PCS (Extra 1)</div>	<div data-bbox="1283 994 1468 1034" data-label="Text">Flat Washer</div> <div data-bbox="1251 1070 1497 1111" data-label="Text">10 PCS (Extra 1)</div>
<div data-bbox="118 1122 165 1178" data-label="Text"><b>#6</b></div>  <div data-bbox="220 1317 300 1357" data-label="Text">4mm</div> <div data-bbox="146 1397 344 1438" data-label="Text">Allen Wrench</div> <div data-bbox="213 1473 293 1514" data-label="Text">1 PC</div>				

Note: Wood dowels are intended for alignment. Additional clearance between wood dowel and pre-drilled hole is intentional for ease of assembly.

Step 1. Attach left post (part B) and right post (part C) to crossbar (part D) using wood dowels (part #1), short bolts (part #3), spring washers (part #4), flat washers (part #5) and allen wrench (part #6).



Step 2. Attach left post (part B) and right post (part C) to headboard (part A) using medium bolts (part #2), spring washers (part #4), flat washers (part #5) and allen wrench (part #6).

