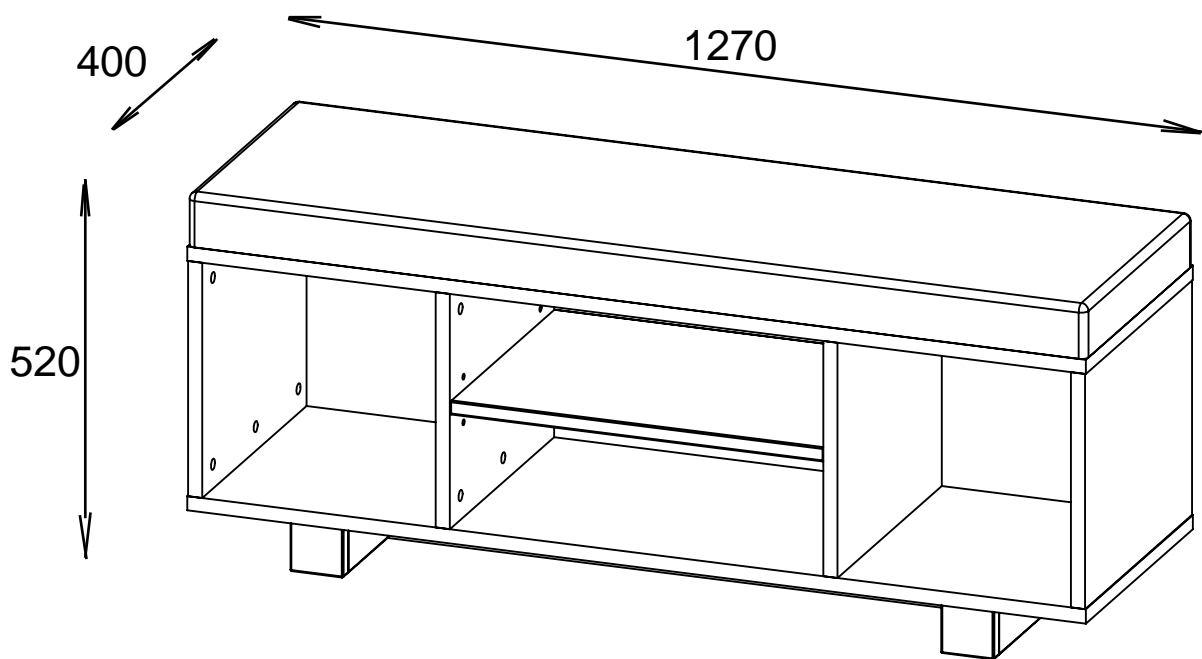


Assembly instruction

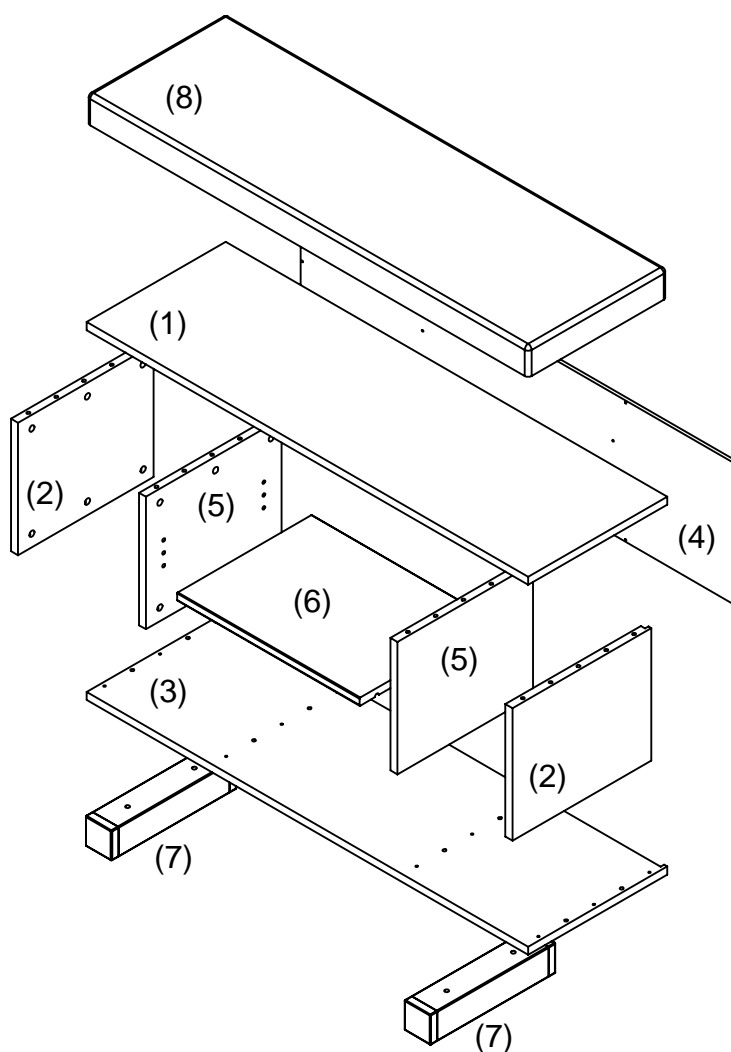


Please read the assembly instruction carefully before assembling.

Components

please photo this page when replacements required.

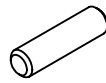
part	description	messurement			QTY
		W	D	H	
(1)	top plate	1270	400	20	1
(2)	side plate	330	400	20	2
(3)	bottom plate	1270	400	20	1
(4)	back	1250	352	9	1
(5)	divider	330	390	20	2
(6)	shelf	525	388	20	1
(7)	base	360		75	2
(8)	seat cushion	1270	400	75	1



Hardware

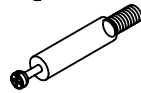
please photo this page when replacements required.

A x 16



Dowel 8x30

B x 24



Excentric bolt

C x 24



Excentric house

G x 4



Shelf support

D x 4



Hexagon socket bolt M6x35

E x 4



Spring washer M6

F x 4



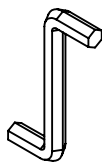
Washer M6

J x 18



Wooden screw 3 x 16

H x 1



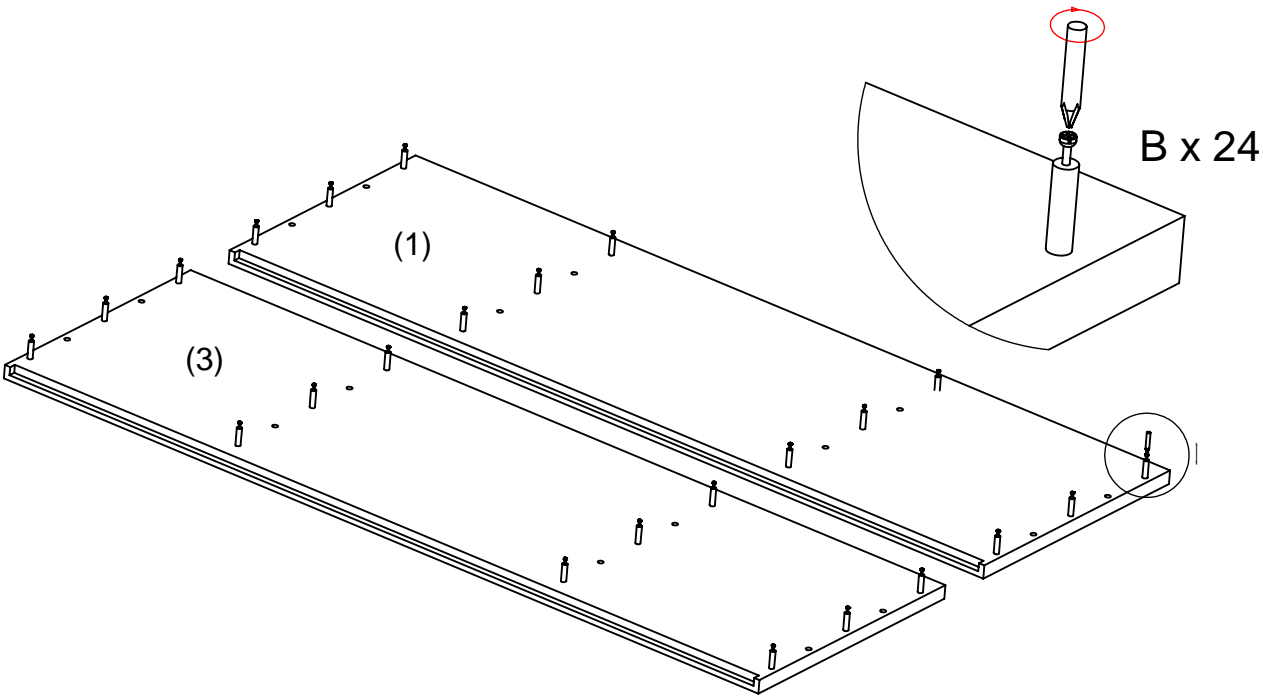
Allen key 4mm

K x 24

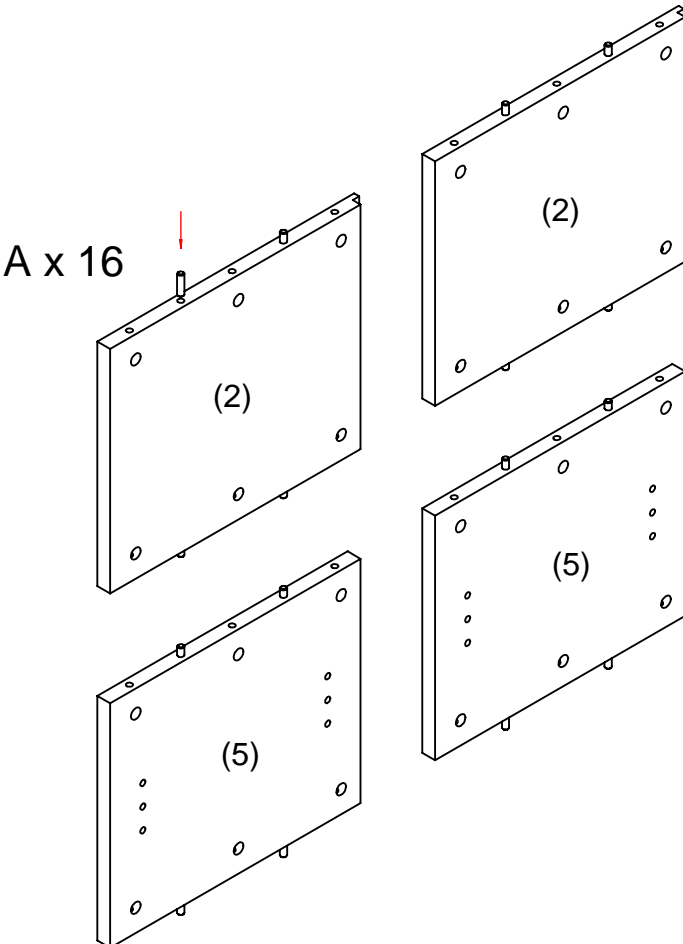


Adhesive hole cover

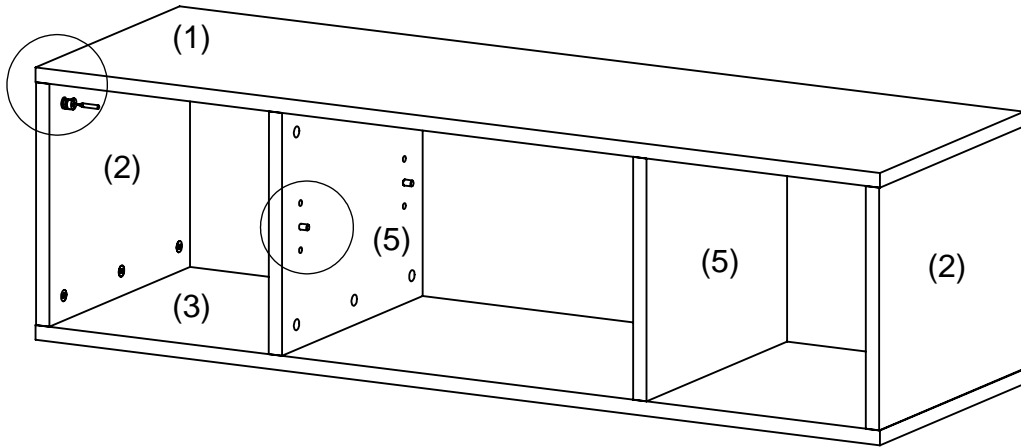
Step 1



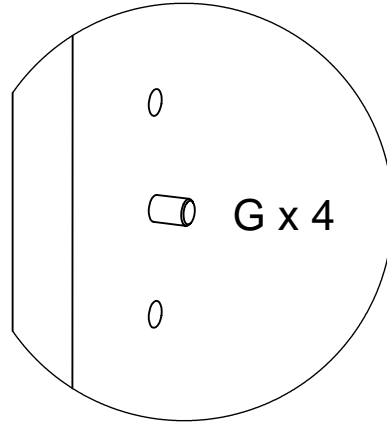
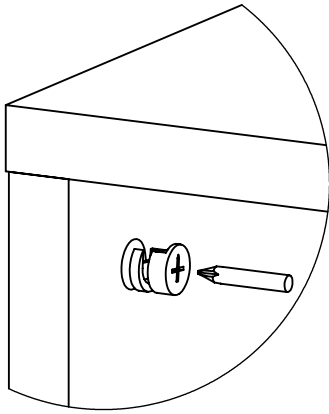
Step 2



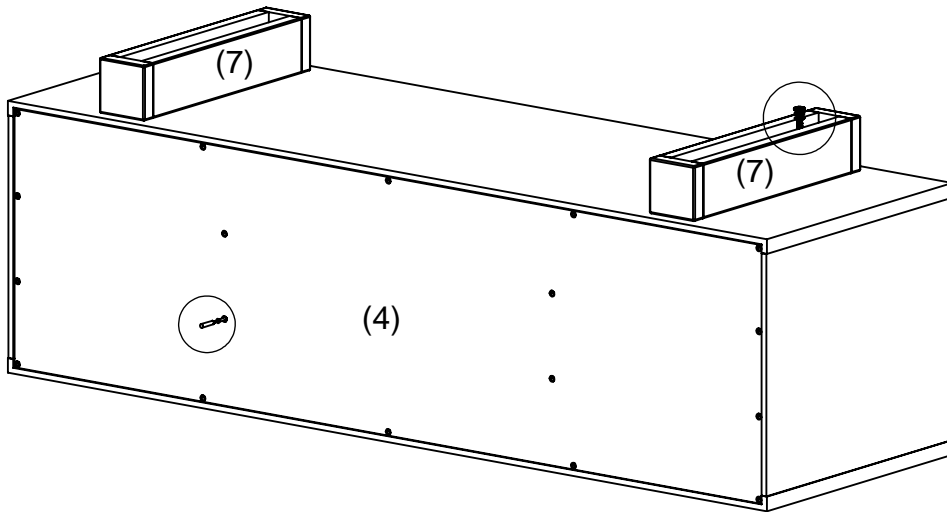
Step 3



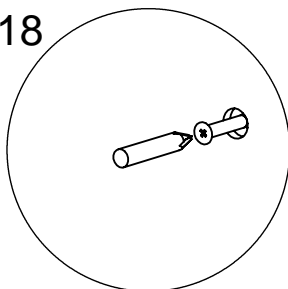
C x 24



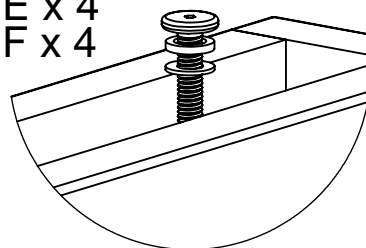
Step 4



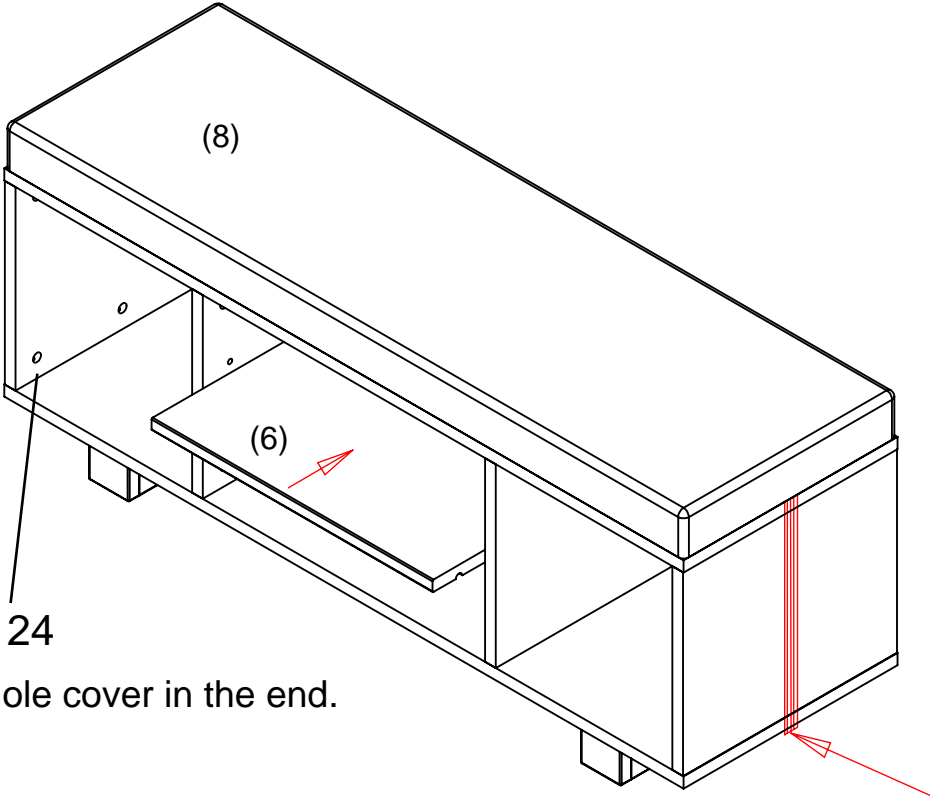
J x 18



D x 4
E x 4
F x 4



Step 5



K x 24

put on the hole cover in the end.

Fastener under the bottom

Dear Customer:

Thank you for purchasing our solid wood furniture. We focus on design, quality materials, and quality craftsmanship. With proper care and maintenance, it will last for generations to come. We have included some guidelines on care and cleaning. Also, please find assembly instructions and tips. We are always available to answer any questions you may have by going to our website modwerksdesign.com or calling us. Please reach out to us anytime and enjoy your new Modwerks design furniture!

General Care and Cleaning:

Simply use a DRY soft cloth for periodic cleaning. For tougher dirt or grime use mild soap and water and dry it immediately. Always keep the wood dry and do not leave standing moisture. We do not recommend furniture polish and do not use cleaners with harsh chemicals. Avoid ammonia-based cleaners or ones containing silicone or abrasives. Natural wood cleaners may be fine, just read the product recommendations and directions. The wood is finished with a natural hand-rubbed vegetable oil.

Do not leave the wood furniture in direct sunlight as this may fade the wood and cause chemical changes in the wood. Our wood furniture is for indoor use only. Avoid nicks and scratches by using placemats, coasters, pads, etc. when the surface is being used. It is best to be in a controlled indoor environment with humidity at 30 to 45% and temperature at 60 to 80 degrees.

If nicks or scratches appear, it can be fixed, but we recommend a professional or reach out to us for best practice for fixing. Solid wood with an oil finish is much easier to fix and renew the surface than other finished woods.

Please be advised that since we use solid wood, it can show variations in the wood grain and these are not considered defects or flaws. Solid fine wood is a living material so minor imperfections are to be expected. Also, humidity and temperature can affect the wood and this is normal.

Assembly:

We use "knock-down" furniture designs because it is the best way for reducing shipping costs/fuel consumption and to avoid shipping damage.

Follow the assembly pictorial step by step and use the hardware enclosed. For missing parts or hardware please contact us at the number above.

Each step shows which boards to connect first. Be sure to know which board you are working on – top, bottom, divider, front, back, etc. Follow the cam alignments so pins go into them smoothly. You may tap the pins and dowels into place gently using a mallet or just your hands but never strike a hammer directly to the wood surface – use a separate wood block to strike if needed. Do not use heavy or extreme force. To get the board edges flush, initiate the pin and locking cams, but do not lock them into place until the whole piece is assembled. This will allow adjusting so the boards become flush. Then finish locking them by hand - turning them until it is snug but do not overtighten. You may need to hold some edges together as you lock in the cam.

Cam hole cover stickers are provided and designed to match the wood. Some pieces come with floor protectors that nail into underneath.

Pieces with sliding doors: The wheel hardware goes on the bottom; the pins go on the top and you will click them up to fit into groove.

Storage boxes: Place felt pads on bottom edges when used with our other shelving units

Pieces with backs that fit into grooves: Use gentle force by using a rubber mallet, or a hammer that strikes another block of wood, to coax all the pins, dowels, and grooves into place. Do not use heavy force.