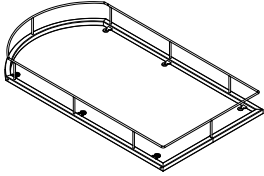
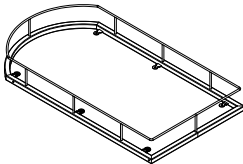
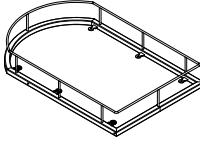



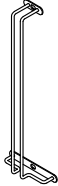
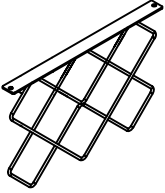
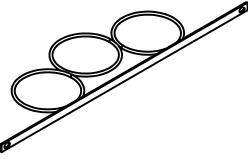
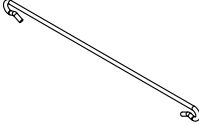
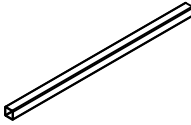
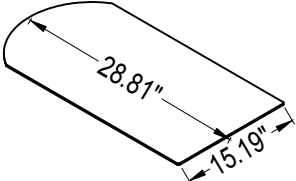
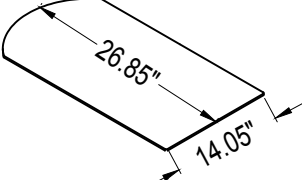
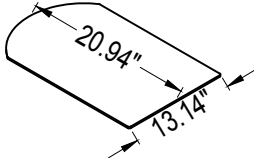





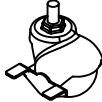



ASSEMBLY INSTRUCTION WINE/BAR CAR

- 1.Extra Screws of A/B/C are provided in case of any screws missing in the boxes.
- 2.Please take the time to identify and count all parts as well as the hardware to this product.

PART LIST

			
①x1pc	②x1pc	③x1pc	④x2pcs
			
⑤x2pcs	⑥x2pcs	⑦x2pcs	⑧x2pcs
			
⑨x1pc	⑩x1pc	⑪x1pc	⑫x1pc
			
⑬x1pc	⑭x1pc		

HARDWARE

						
M6x25mm	M6x12mm					
A×14PCS	B×14PCS	C×18PCS	D×2PCS	E×2PCS	F×1PC	G×1PC

Noted:

- 1.It is recommended that this item should be assembled by two adults.
- 2.Assemble this item on a soft surface. such as cardboard or carpet. to protect finish.

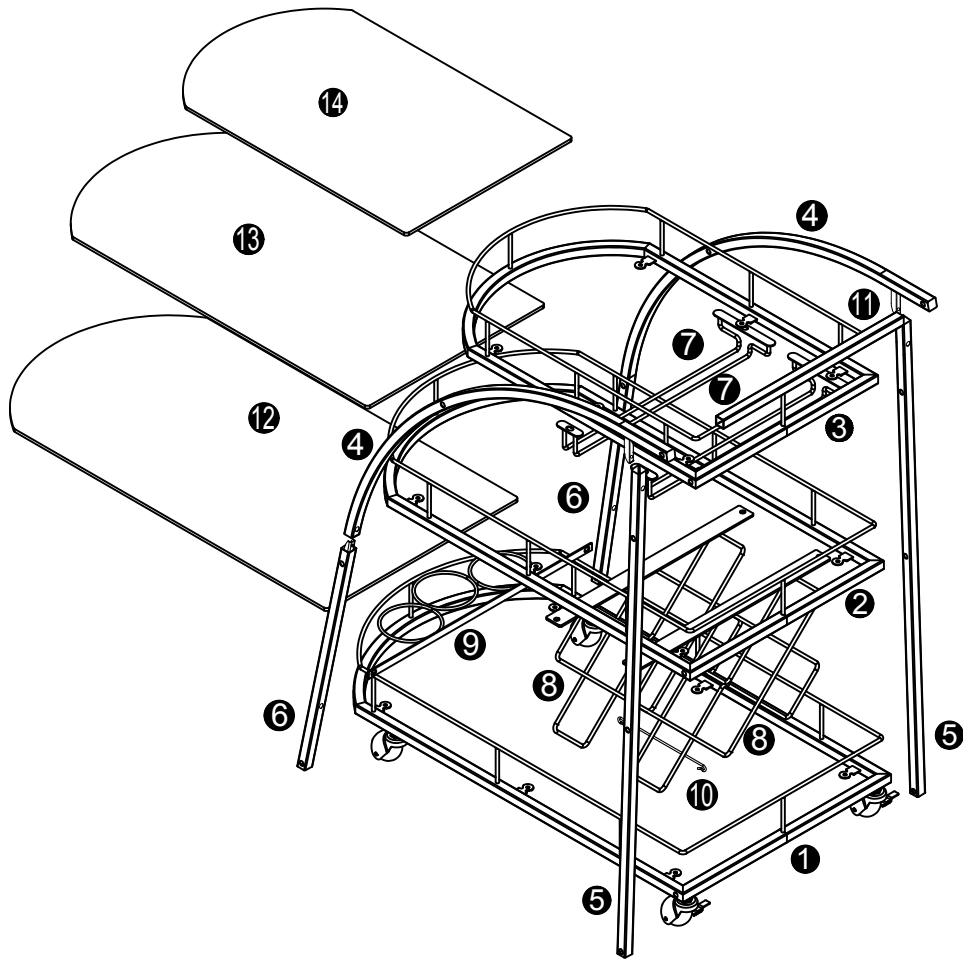
For product assistance and warranty information, please contact the seller before return this product.

Please provide us with following information.so that it will be easier to resolve your problem smoothly.

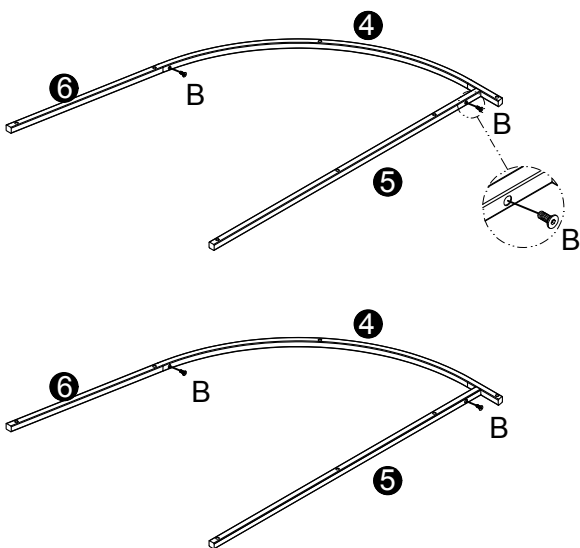
- 1.Order ID:
- 2.Pictures of Your Items Damage or Parts Missing:

Thank You for Purchasing Our Furniture.It's an Honor to Be in Your Home!

NOTED:Pls do not tighten all bolts until the products is assembled completely.

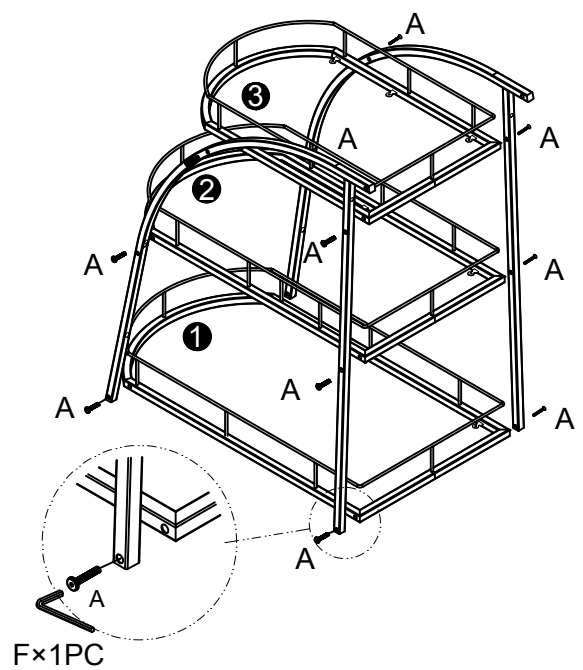


Step 1:



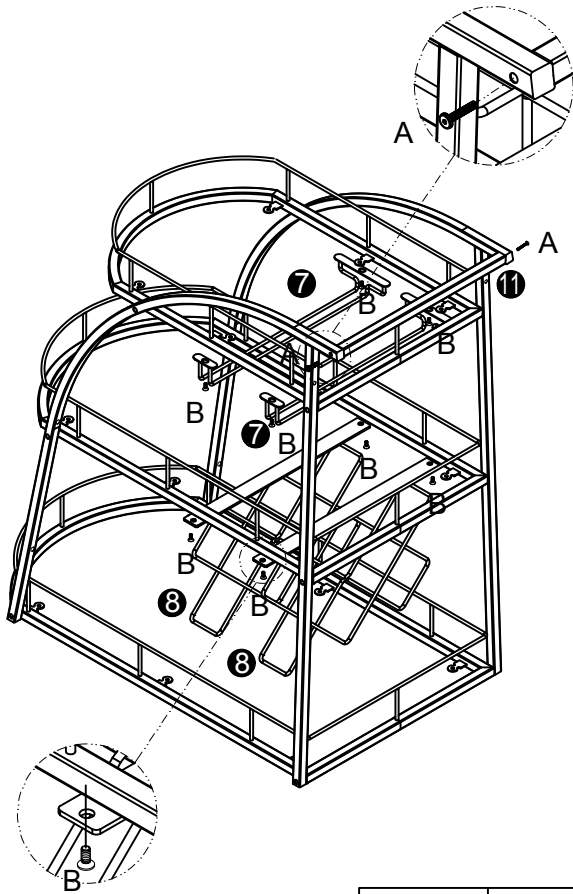
Bx4pcs

Step 2:



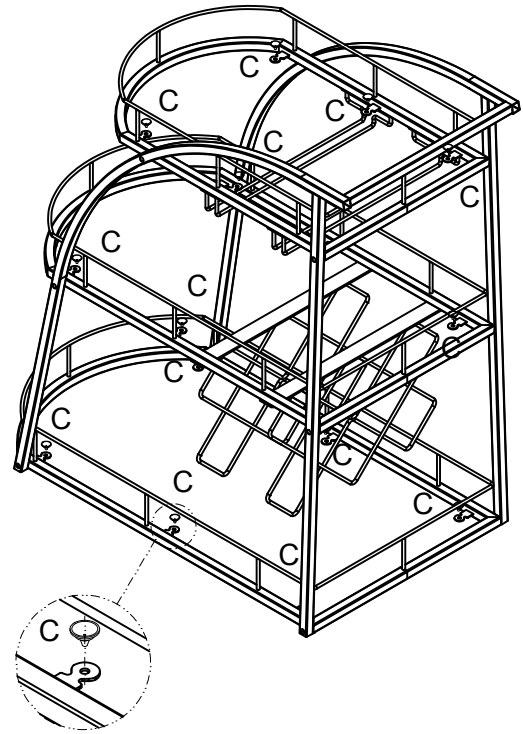
Ax12pcs

Step 3:



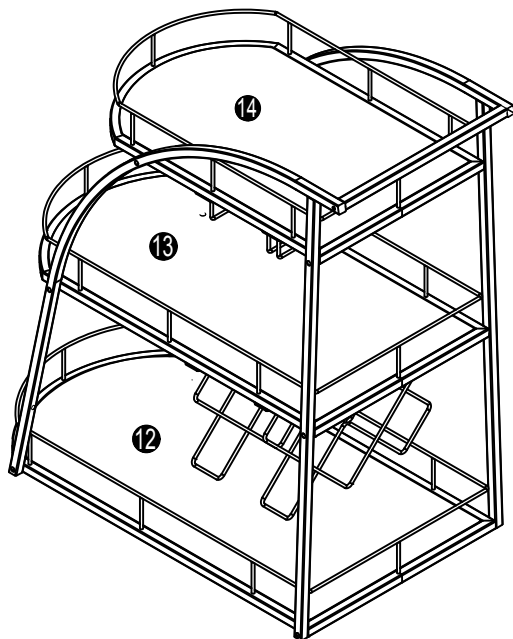
Ax2pcs	Bx8pcs
--------	--------

Step 4:

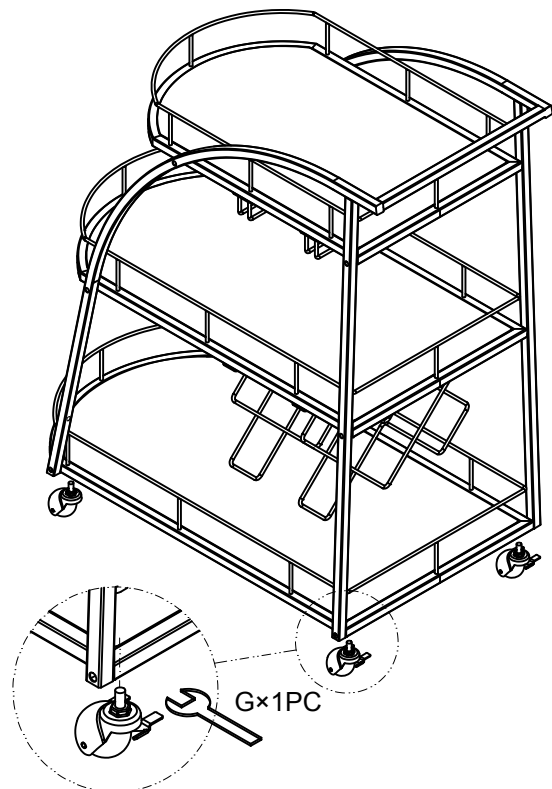


Cx18pcs

Step 5:

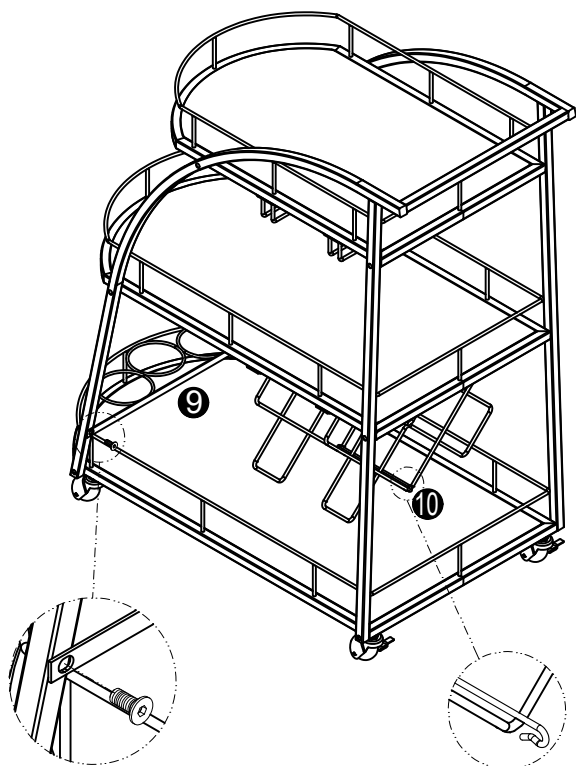


Step 6:



Dx2pcs	Ex2pcs
--------	--------

Step 7:



Bx2pcs