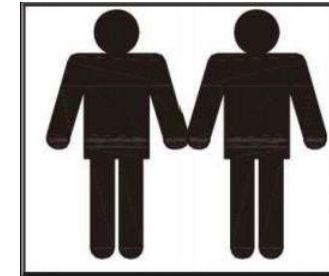
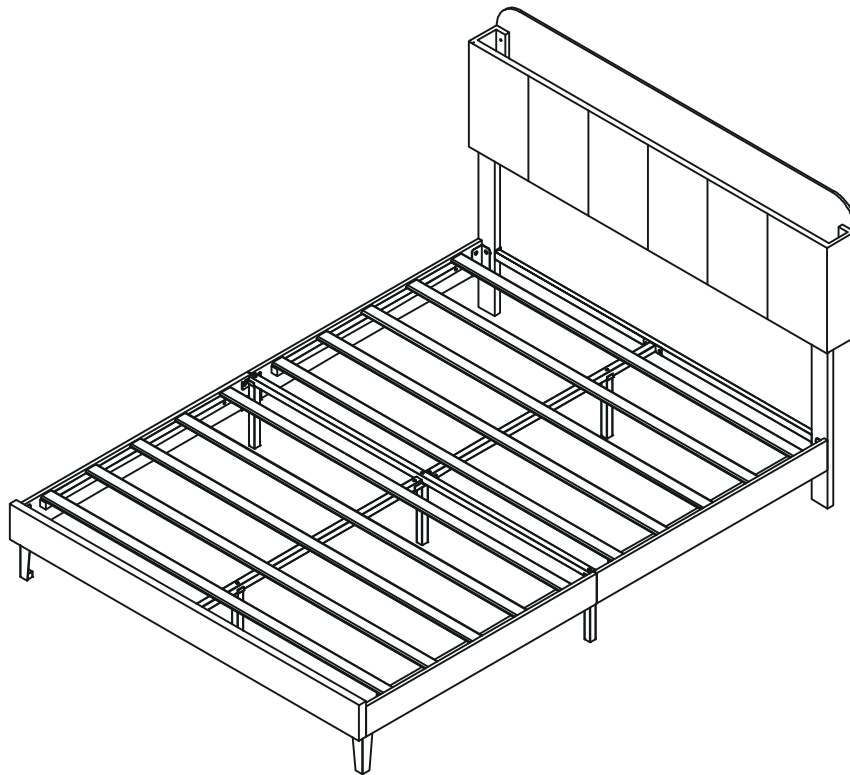


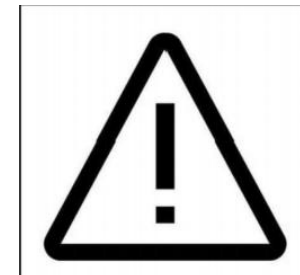
Assembly Instruction

Note:

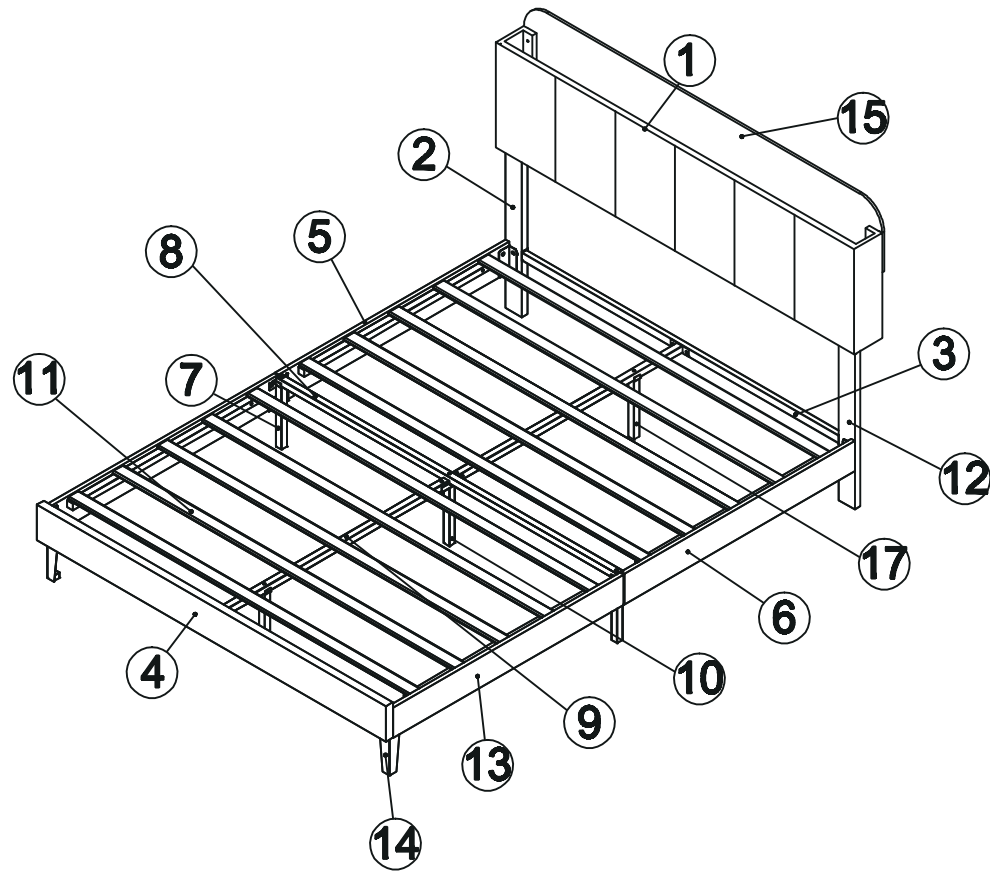
- 1. Should be assembled on flat ground to keep balance.**
- 2. Before completing the installation, do not tighten the screws.**



It needs at least two people to install.




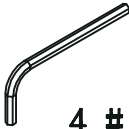


Before starting the assembly, you must read the whole manual and follow the instructions.

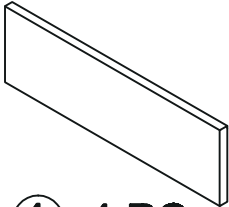


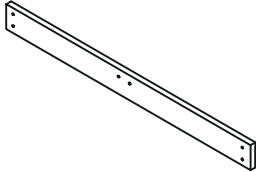
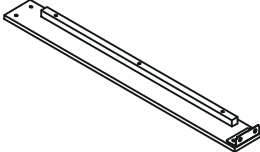
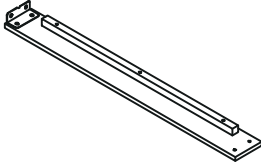
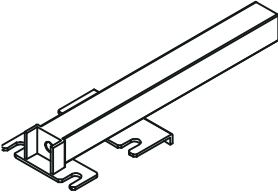

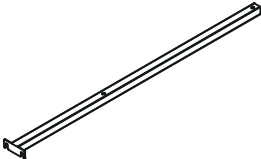
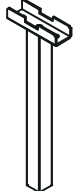
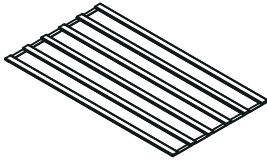

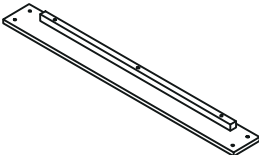
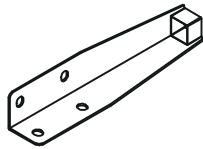
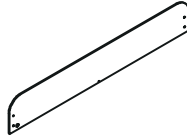

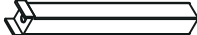


Assembly Instruction

Hardware arts

 Ⓐ M8x20 31pcs	 Ⓑ M8x35 6pcs	 Ⓒ M8x45 5pcs	 Ⓓ 4 # 1pc		
--	---	--	--	--	--

Part list

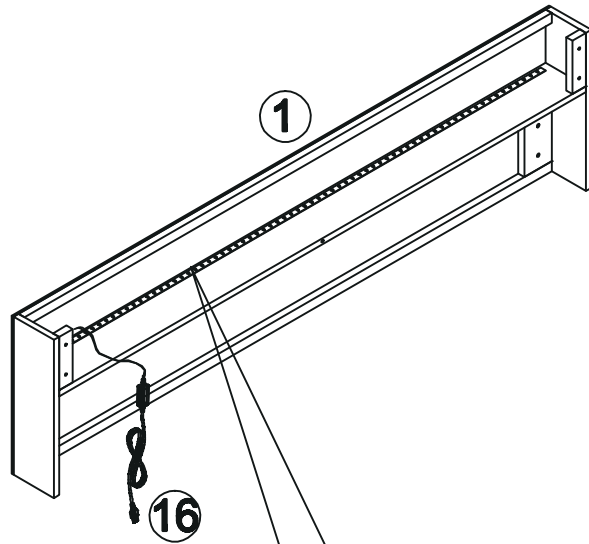
 ① 1 PC	 ② 1 PC	 ③ 1 PC	 ④ 1 PC	 ⑤ 1 PC	 ⑥ 1 PC
 ⑦ 2 PCS	 ⑧ 1 PC	 ⑨ 2 PCS	 ⑩ 1 PC	 ⑪ 2 PCS	 ⑫ 1 PC
 ⑬ 2 PCS	 ⑭ 2 PCS	 ⑮ 1 PC	 LED ⑯ 1 PC	 ⑰ 2 PCS	Page 3/10

Assembly Instruction

16



1pc



Attach the light strip of component (16) to the pre-made Velcro on the headboard.

A

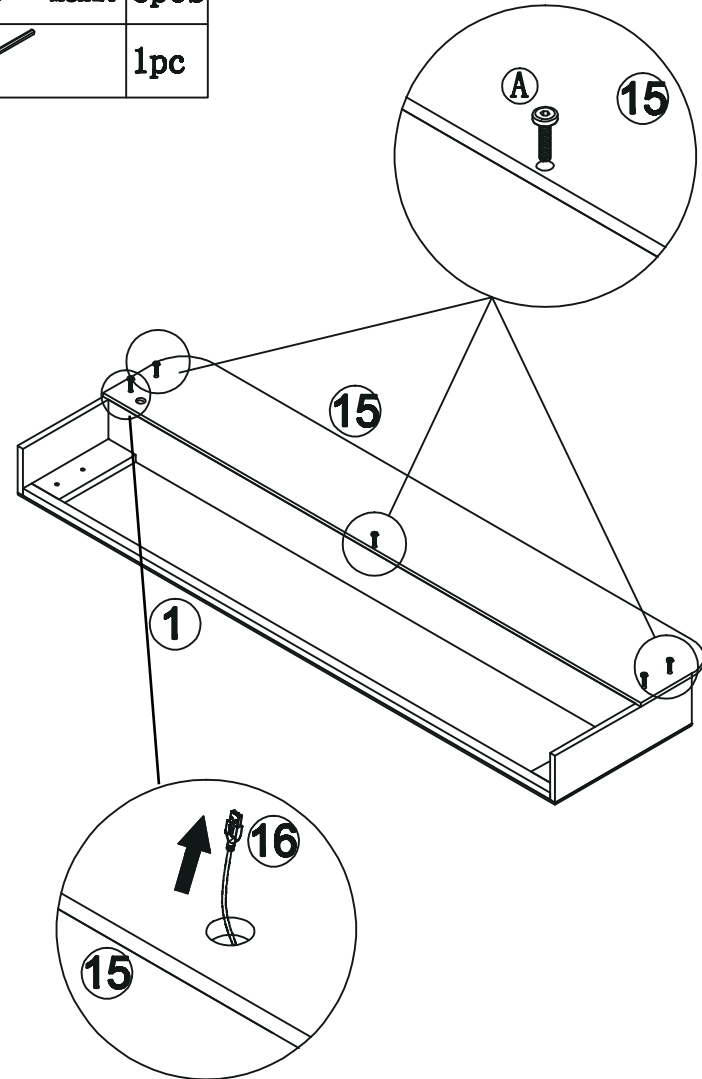


M8x20 5pcs

D

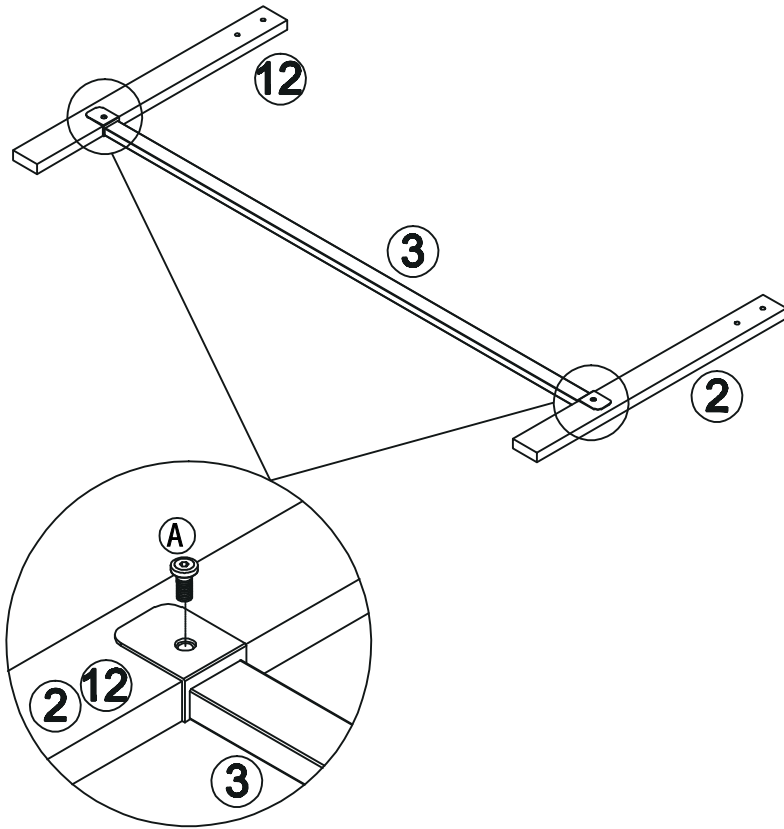


1pc

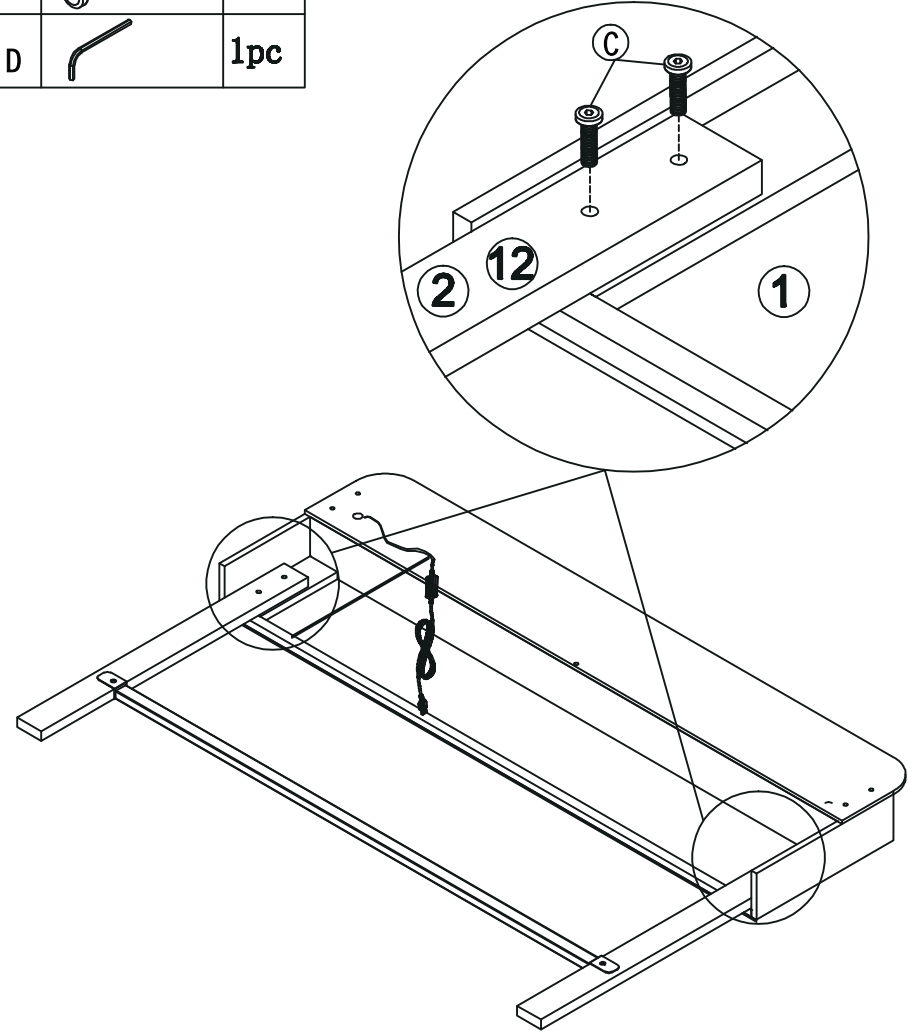


Assembly Instruction

A	 M8x20	2pcs
D		1pc

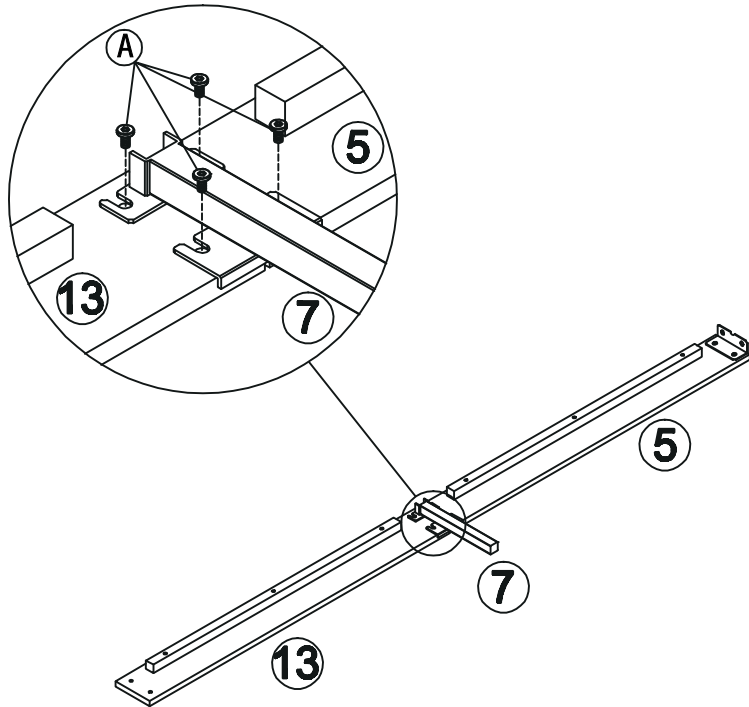


C	 M8x45	4pcs
D		1pc

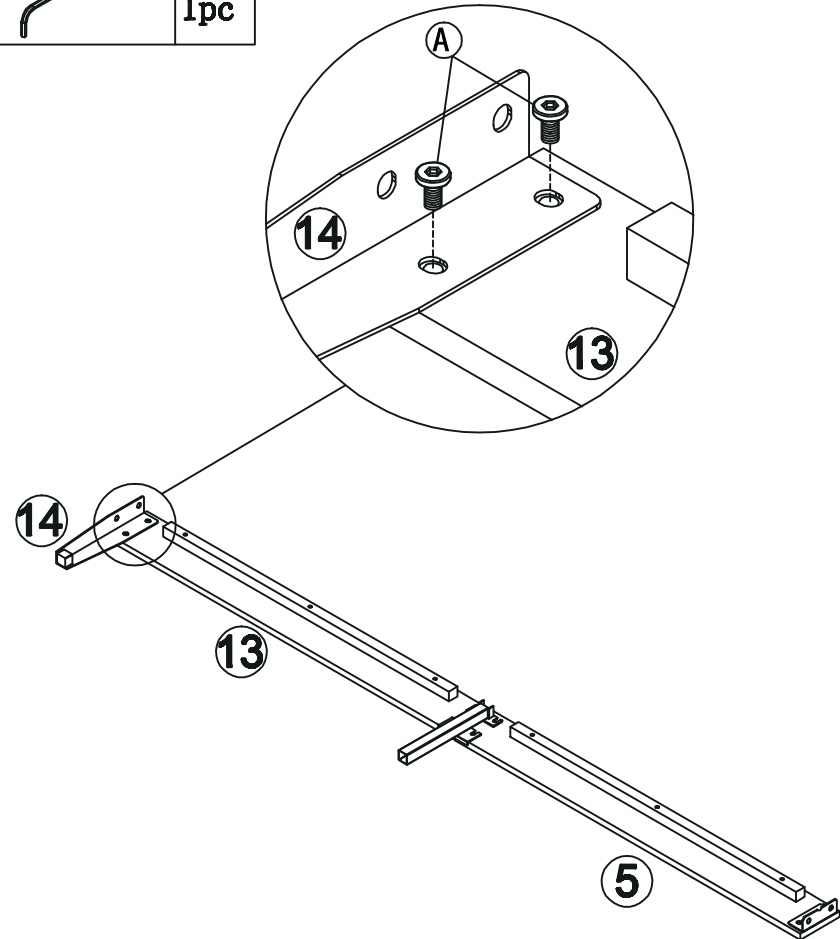


Assembly Instruction

A	 M8x20	4pcs
D		1pc

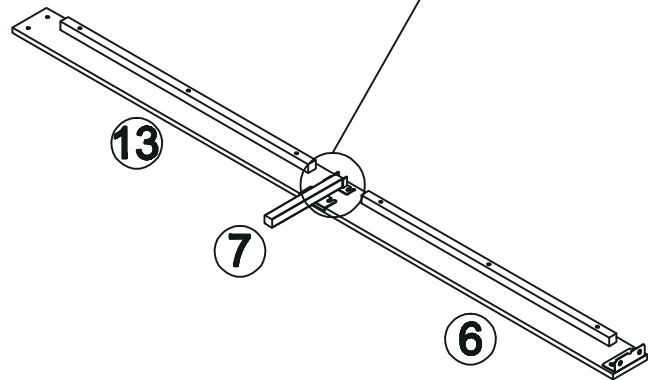
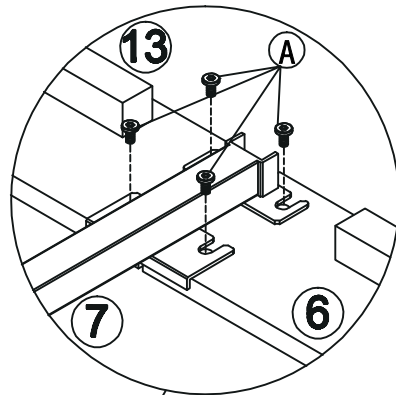


A	 M8x20	2pcs
D		1pc

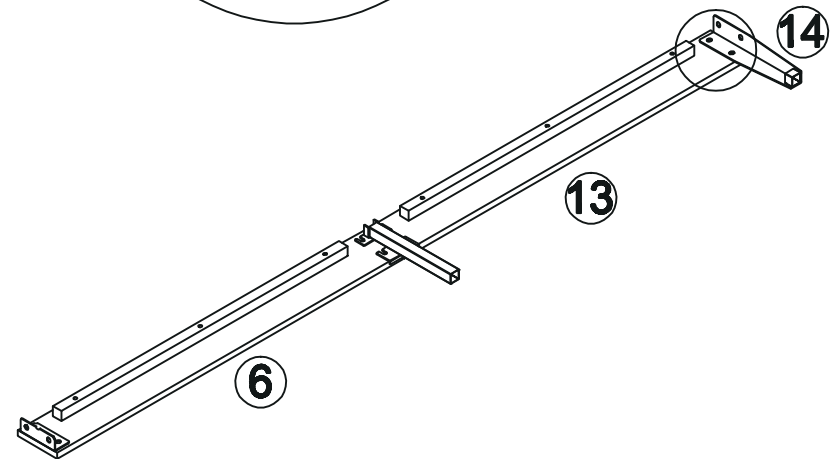
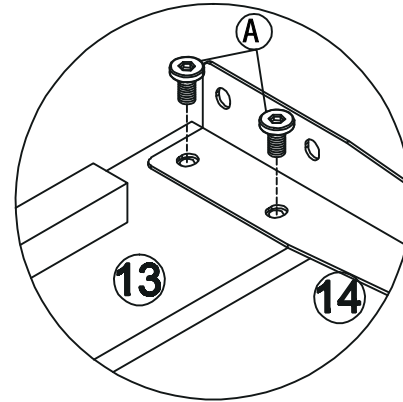


Assembly Instruction



A	 M8x20	4pcs
D		1pc

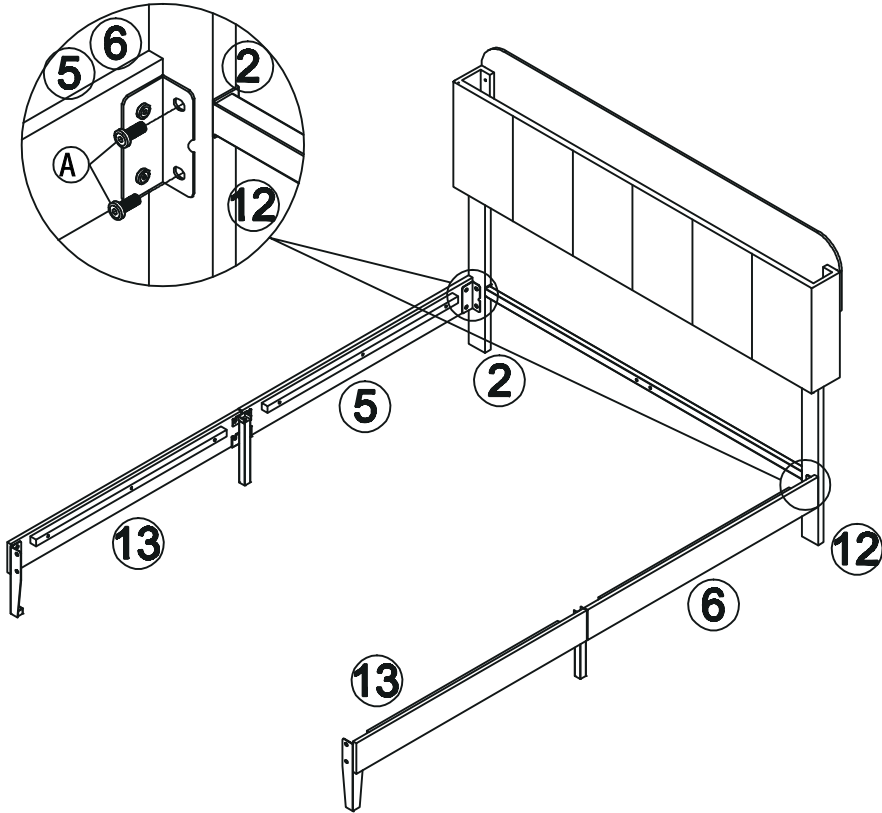




A	 M8x20	2pcs
D		1pc

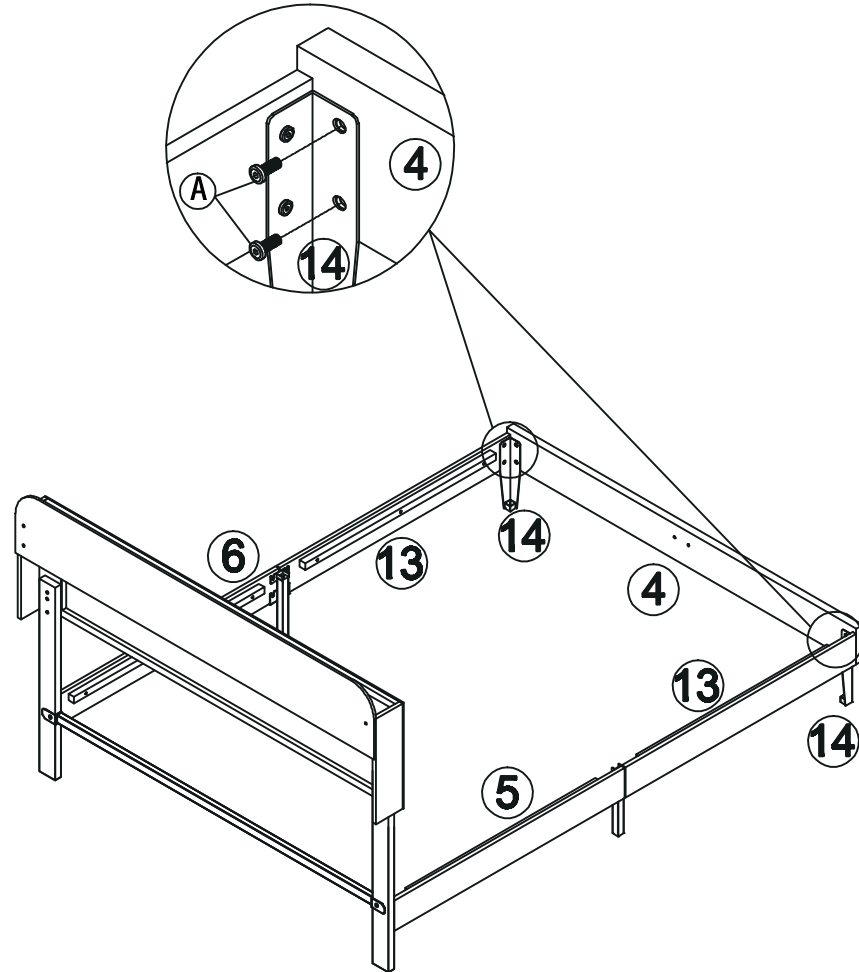


Assembly Instruction




A	 M8x20	4pcs
D		1pc

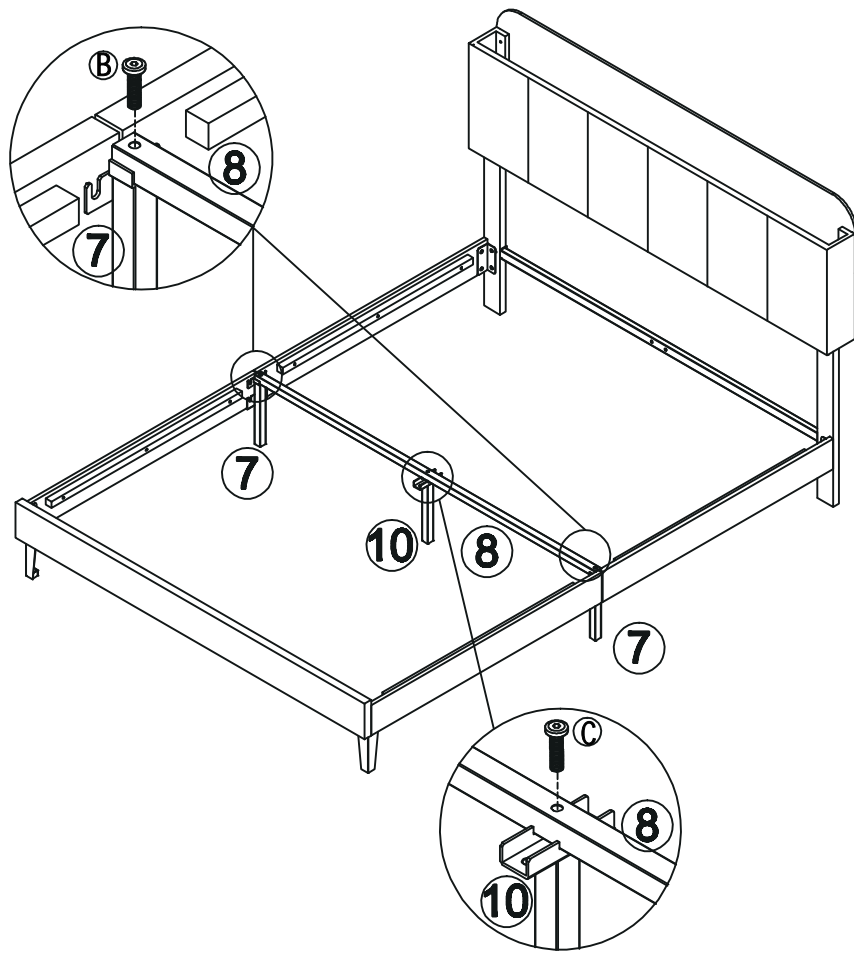




A	 M8x20	4pcs
D		1pc

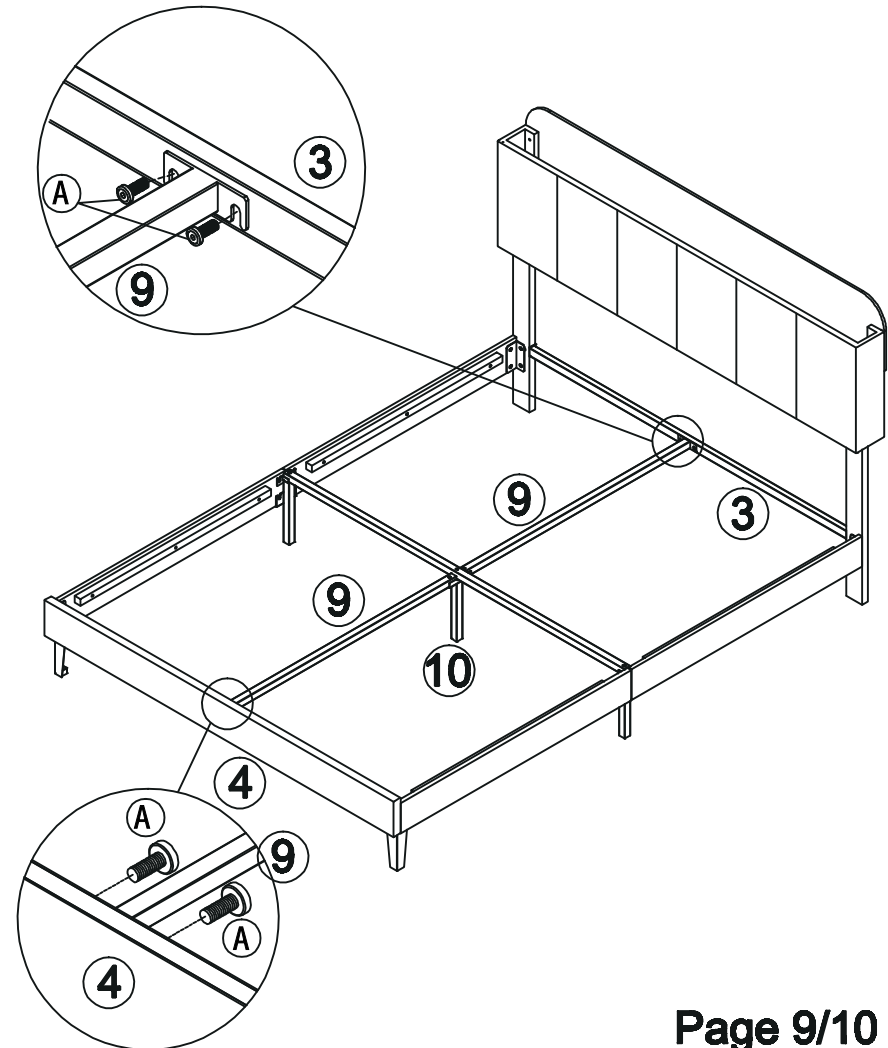


Assembly Instruction



B		M8x35	2pcs
C		M8x45	1pc
D			1pc



A		M8x20	4pcs
D			1pc



Assembly Instruction

B	 M8x35	4pcs
D		1pc

