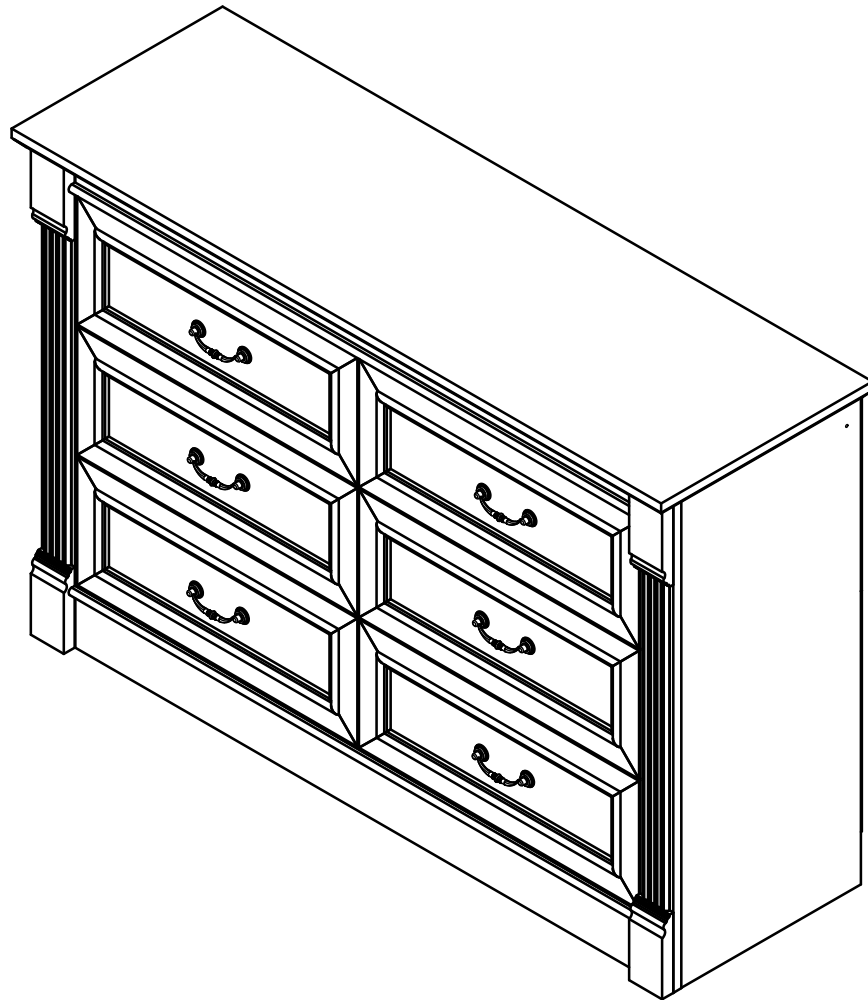


# ASSEMBLY INSTRUCTIONS

## ITEM: LD25006



LD25006

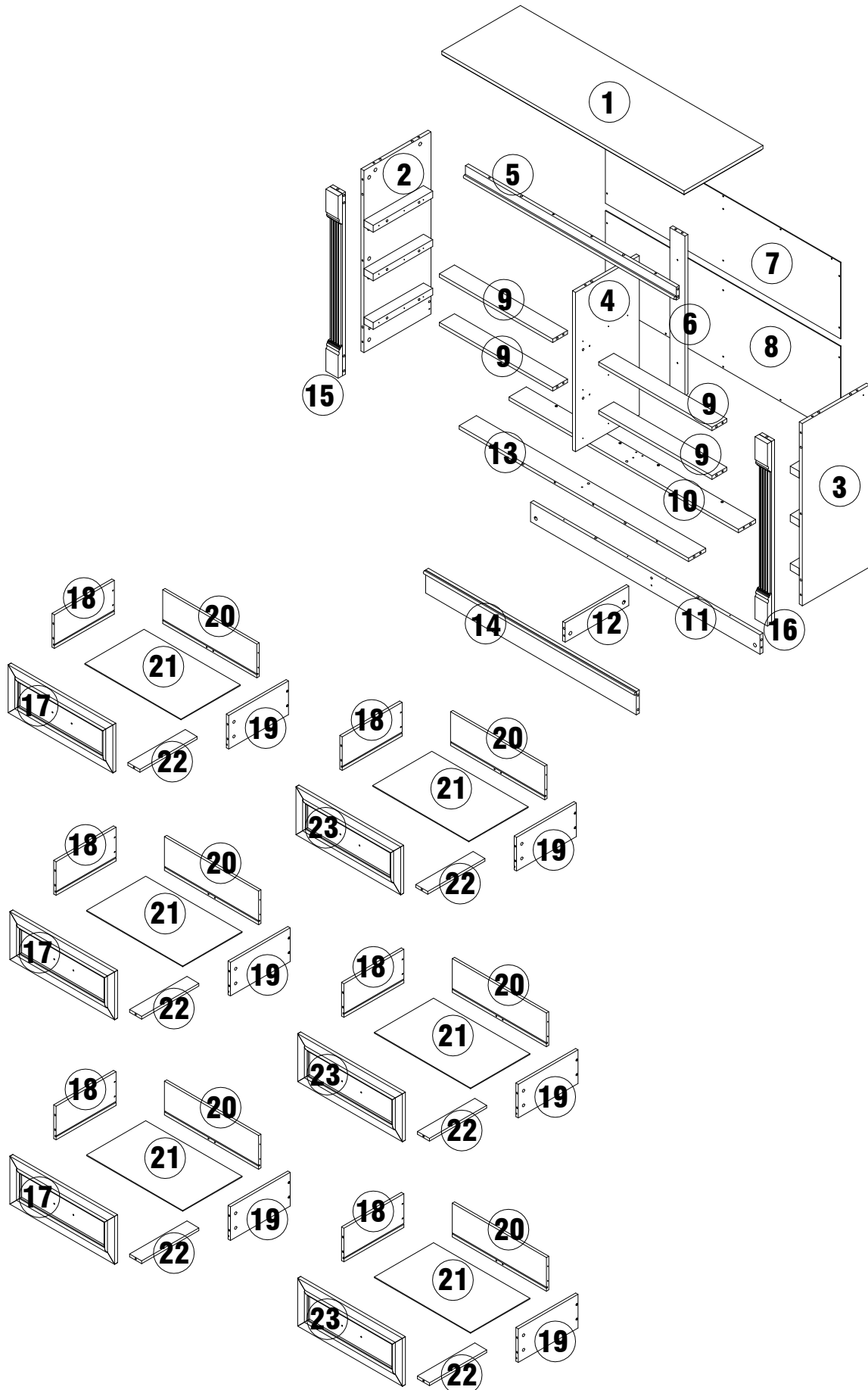
Please scan this QR code and contact us if you have any questions! If your products has damages, missing parts, problems with installation and use, or you are not 100% satisfied with our products, please scan the QR code and contact us!

**Email: [vimity-service@outlook.com](mailto:vimity-service@outlook.com)**

---

SUPPORT : +18882062161

# PACKAGE INCLUDE



**SUPPORT: +18882062161**

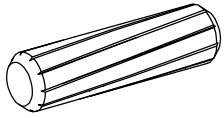
## PACKAGE INCLUDE

<b>CODE</b>	<b>DESCRIPTION</b>	<b>QTY</b>
1	Top Panel	1
2	Left Side Panel	1
3	Right Side Panel	1
4	Middle Vertical Panel	1
5	Upper Crosspiece	1
6	Back Vertical Panel	1
7	Upper Back Panel	1
8	Middle Back Panel	1
9	Fixed Strip	4
10	Rear Bottom Panel	1
11	Back Footboard	1
12	Bottom Supported Panel	1
13	Front Bottom Panel	1
14	Front Footboard	1
15	Left Trim Panel	1
16	Right Trim Panel	1
17	Left Drawer Top Panel	3
18	Drawer Left Side Panel	6
19	Drawer Right Side Panel	6
20	Left Drawer Back Panel	6
21	Left Drawer Bottom Panel	6
22	Drawer Bottom Strip	6
23	Right Drawer Top Panel	3

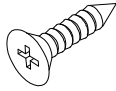
**SUPPORT: +18882062161**

# PACKAGE CONTENT

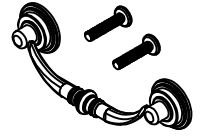
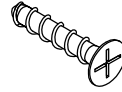
Ø8X30MM



Ø3.5X12MM



Ø4X35MM



**A**

**44X+2**

**B**

**60X+3**

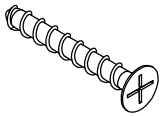
**C**

**36X+1**

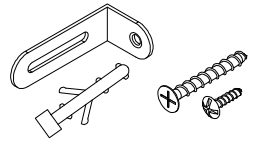
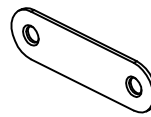
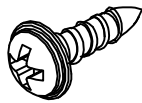
**D**

**6X**

Ø4X50MM



Ø3X12MM



**E**

**8X**

**F**

**30X+1**

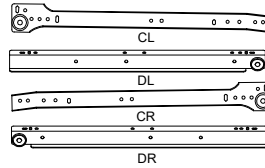
**G**

**4X**

**H**

**2X**

Ø15X10MM



**J**

**70X+3**

**K**

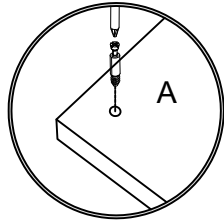
**70X+3**

**L**

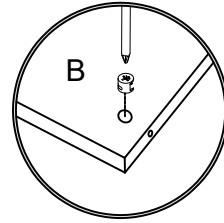
**6X**

**SUPPORT: +18882062161**

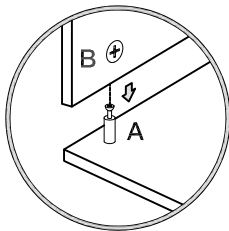
# How to use the cam lock system



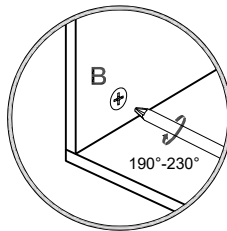
1. Screw cam bolt into panel



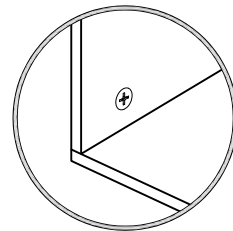
2. Push cam into panel - arrow feature on cam top points to panel edge



3. Align cam bolt(s) with cam(s) and insert all the way into cross-bored hole(s)

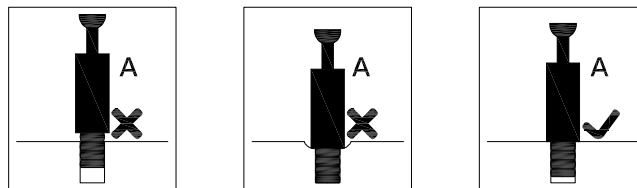
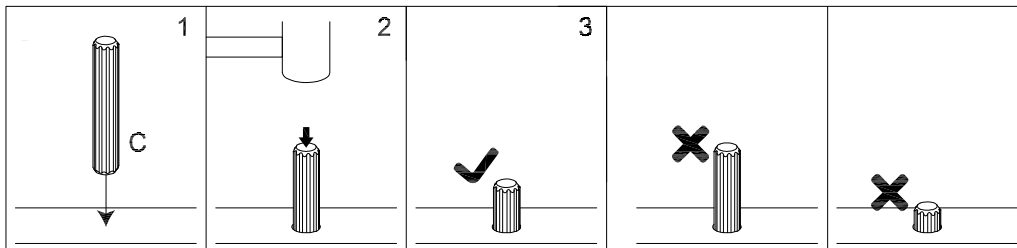


4. Rotate cam(s) clockwise 190°-230° to lock panels together



5. Panels should be tight against each other and connection should be rigid

Insert the wood dowel [C] at least half way by tapping lightly with a rubber mallet, IF NECESSARY.

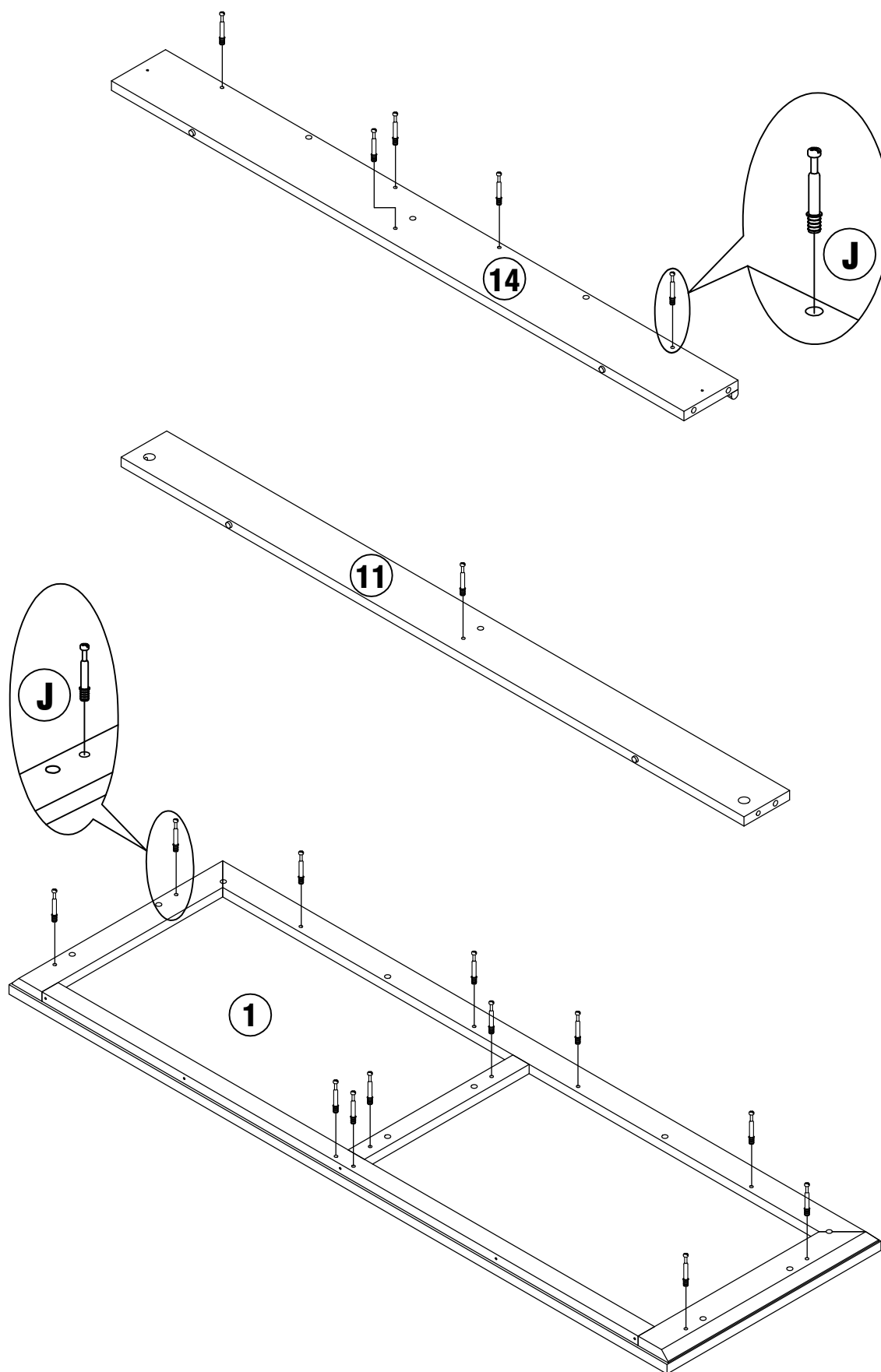
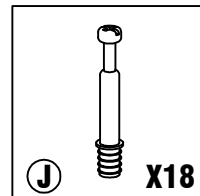


## **⚠ WARNING**

- Unit must be placed on a level surface or leveled with included hardware (when applicable).
- Do not sit or stand on or allow children to climb, sit or stand on the assembled product.
- For safety reasons, it is imperative that this unit be mounted to the wall.
- Do not use without installing the tip restraint.
- Unit can tip over causing severe injury or death.
- Do not exceed the recommended weight limits.
- Evenly distribute the weight on each level and always keep the heavier loads on the bottom.
- Before cutting, drilling or hammering into any wall or floor surface, verify the location of electrical, plumbing and gas lines. Cutting may cause serious injury.

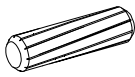

SUPPORT : +18882062161

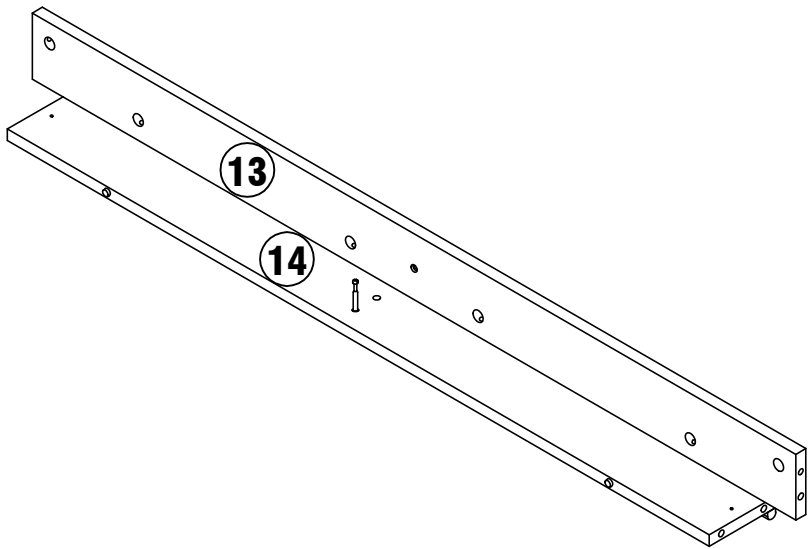
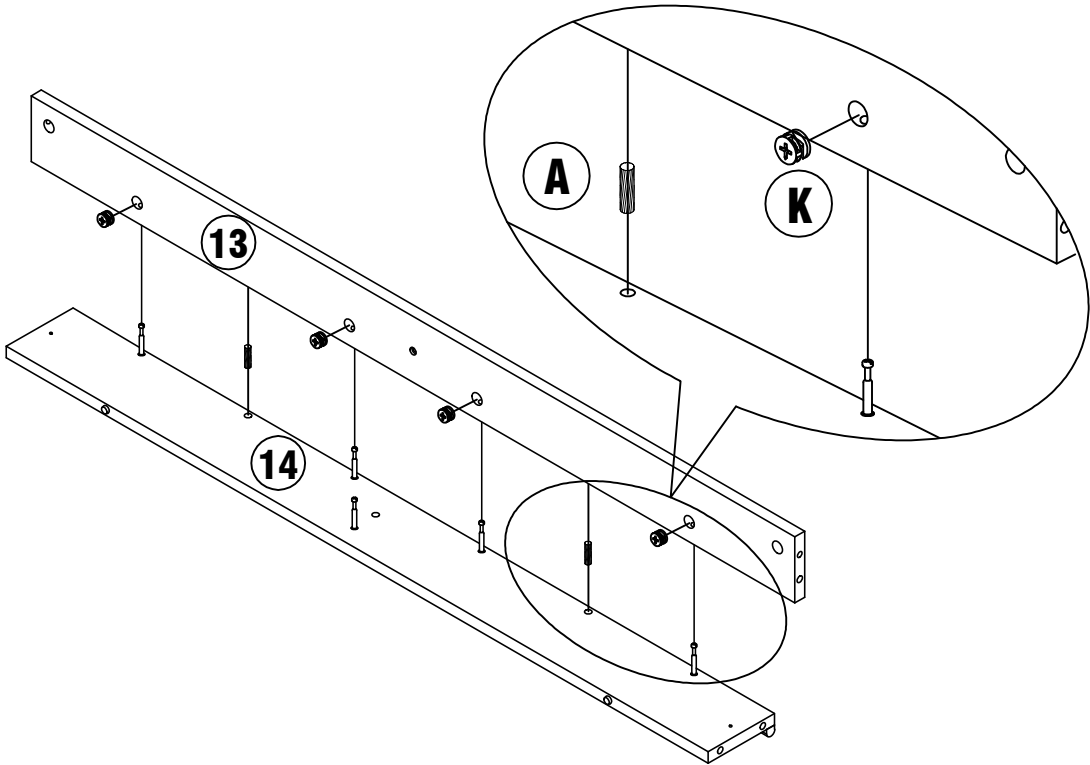
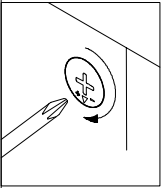
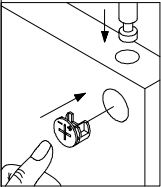
# STEP 1



**SUPPORT: +18882062161**



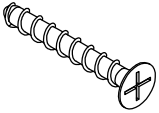
# STEP 2

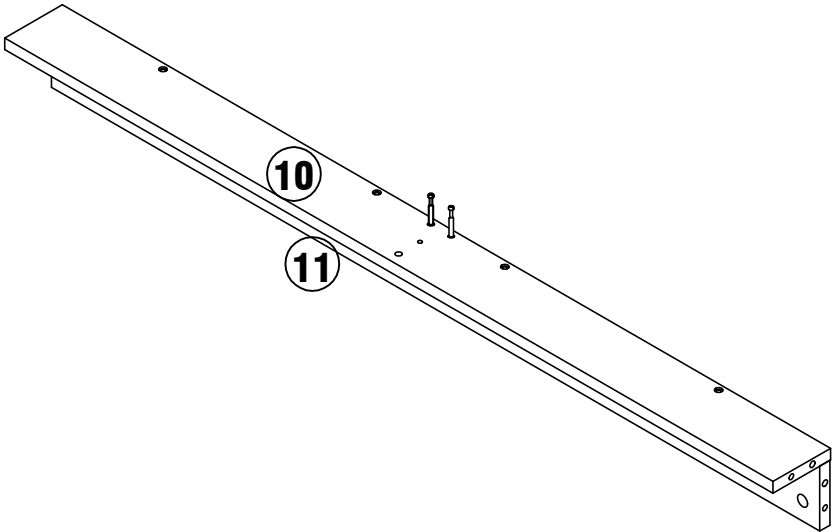
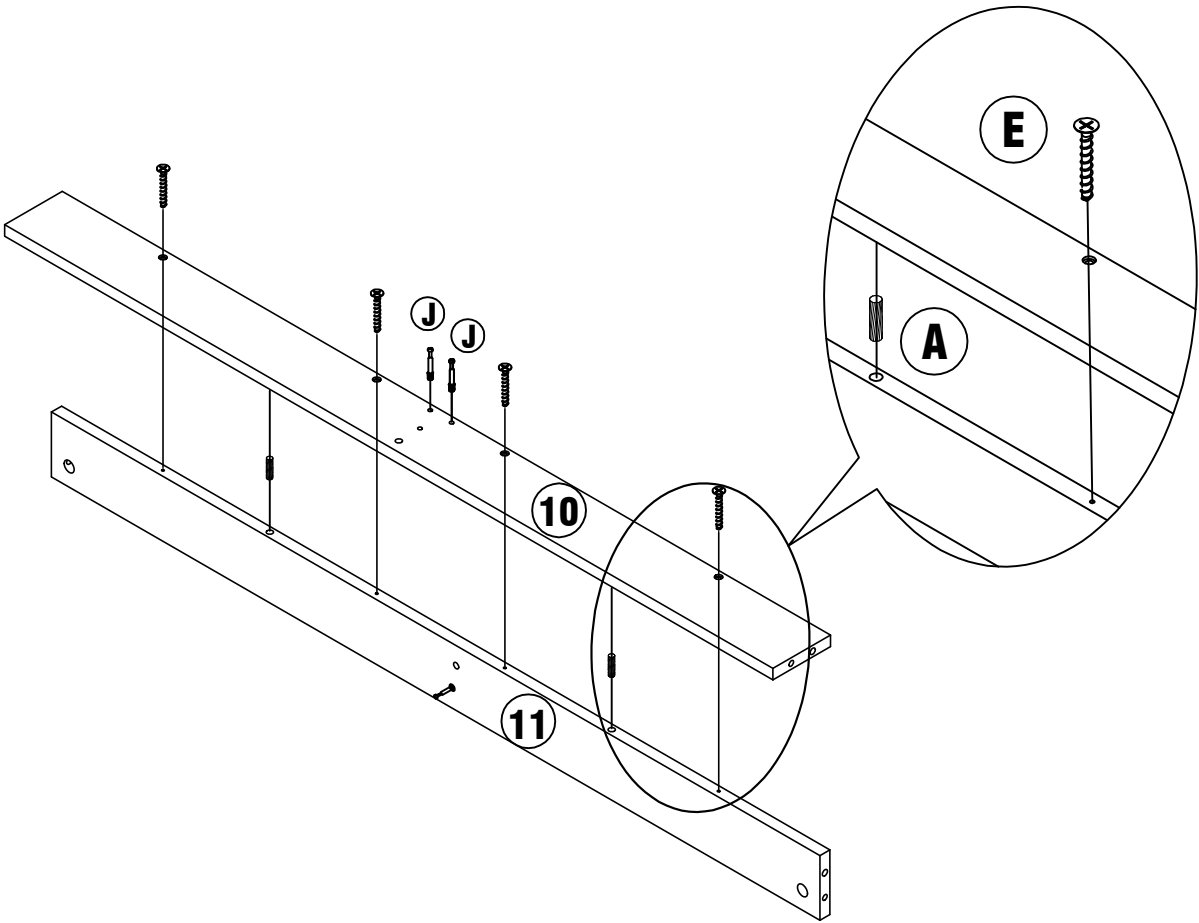
	
<b>A</b>	<b>X2</b>
	<b>K</b>
	<b>X4</b>



**SUPPORT: +18882062161**  
**-6-**

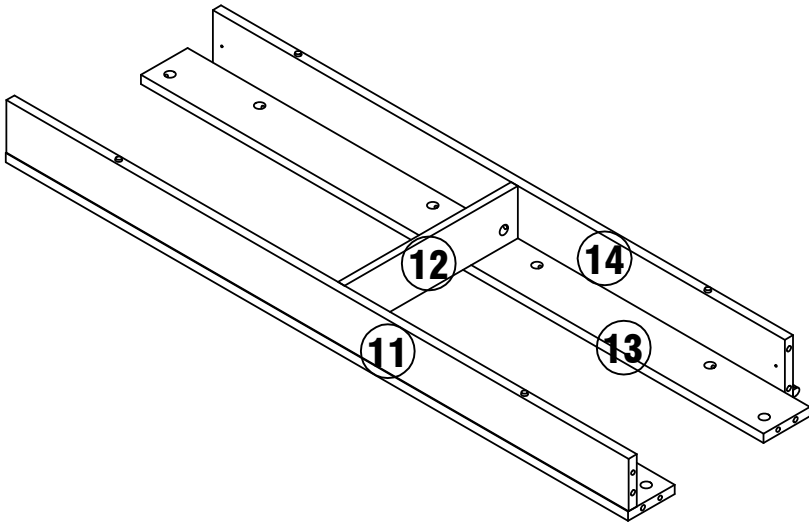
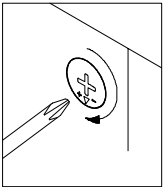
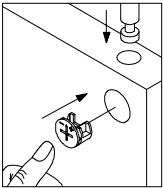
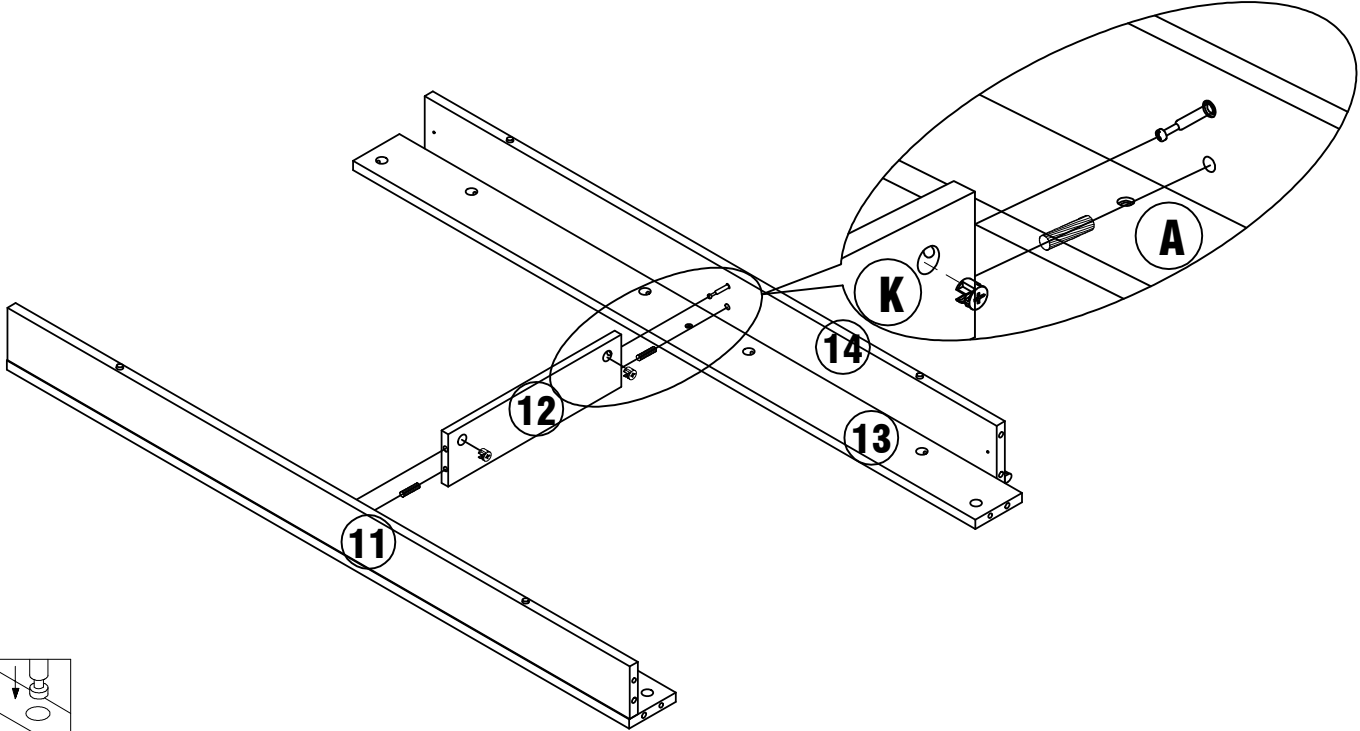
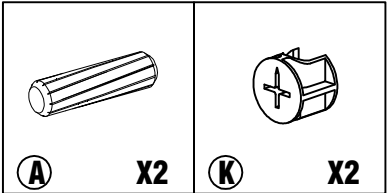
# STEP 3

 <b>J</b> X2	 <b>A</b> X2	 <b>E</b> X4
---	---	---




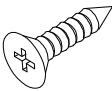
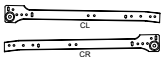
**SUPPORT: +18882062161**  
**-7-**

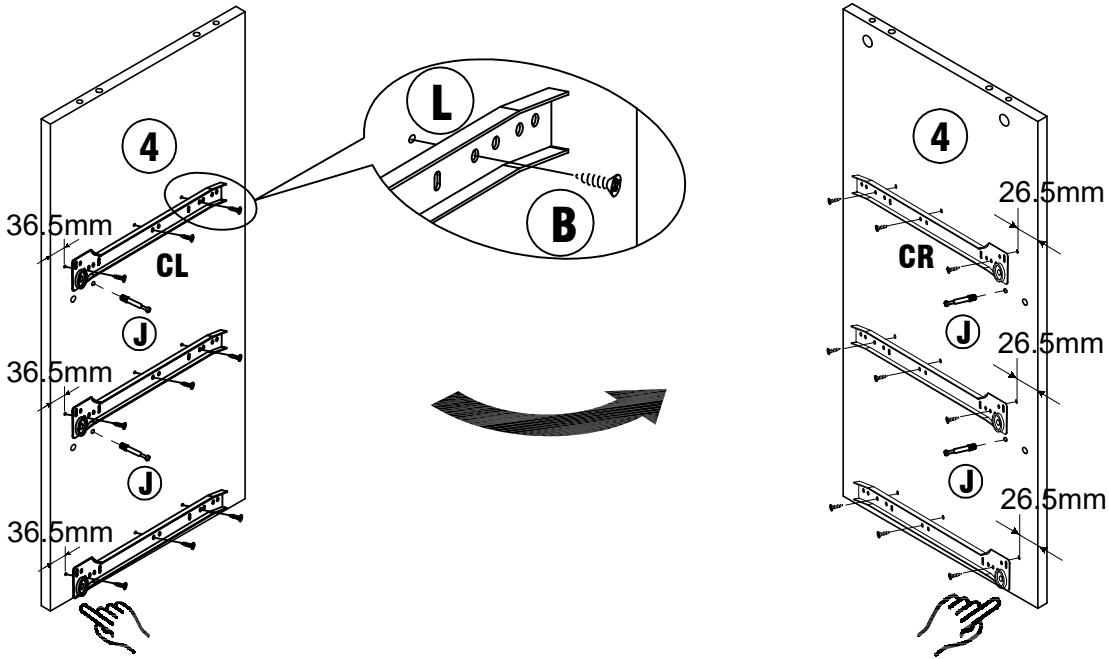
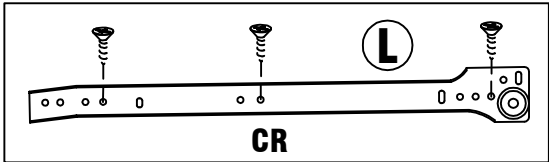
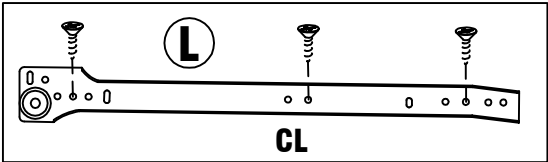
# STEP 4



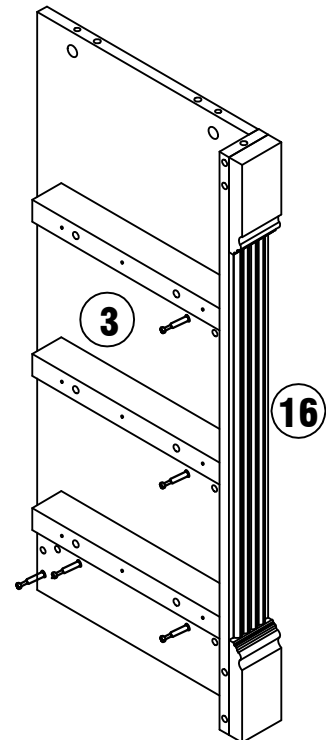
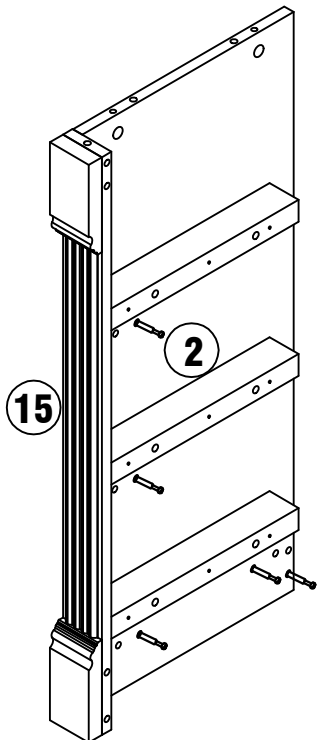
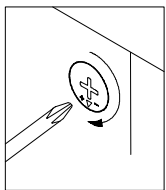
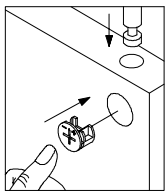
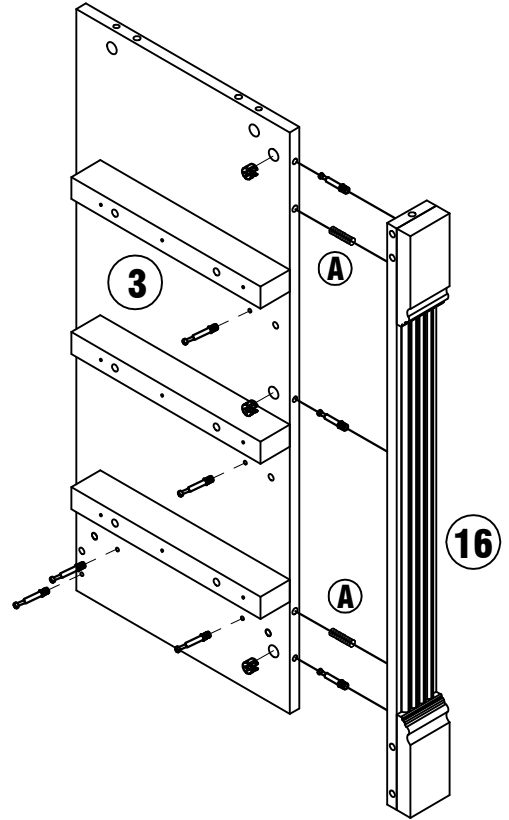
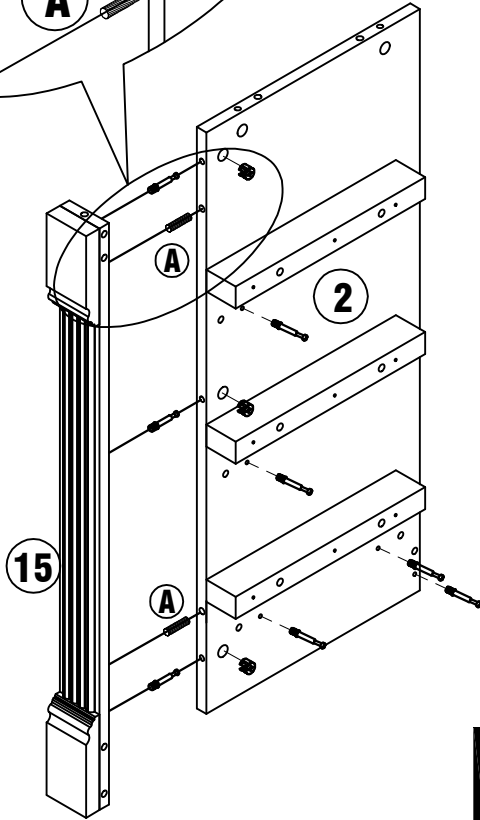
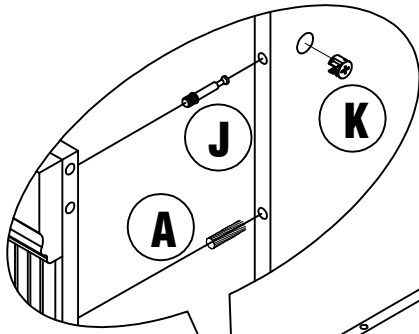
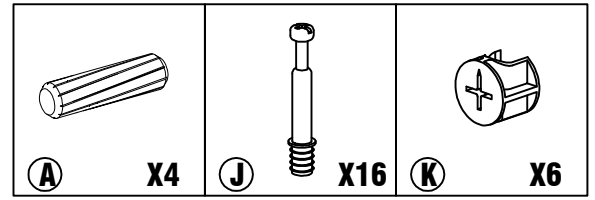
**SUPPORT: +18882062161**

# STEP 5

 <b>J</b>	<b>X4</b>	 <b>B</b>	<b>X18</b>	 <b>L</b>	<b>X3</b>
--	-----------	--	------------	--	-----------

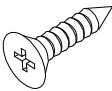
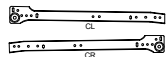


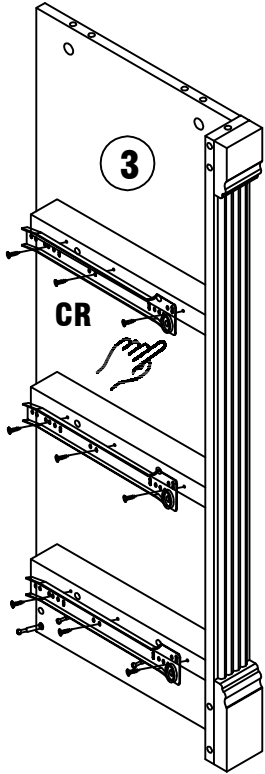
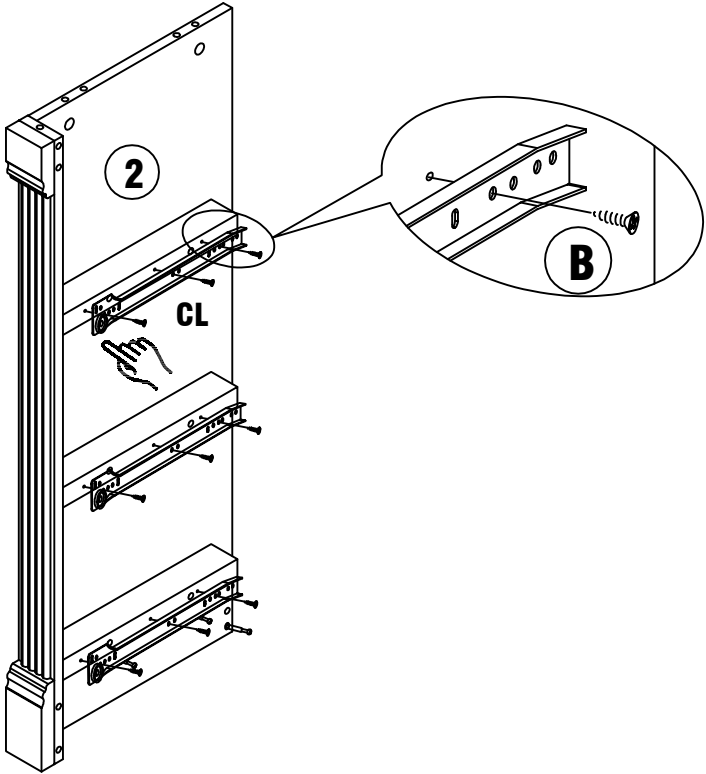
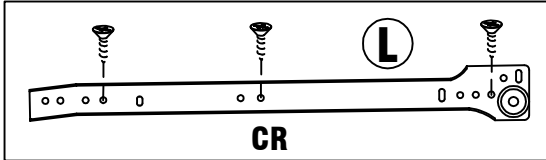
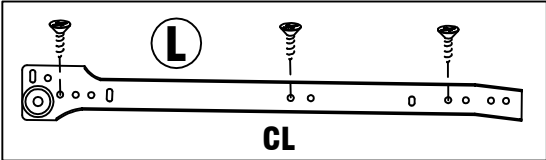
# STEP 6



**SUPPORT: +18882062161**

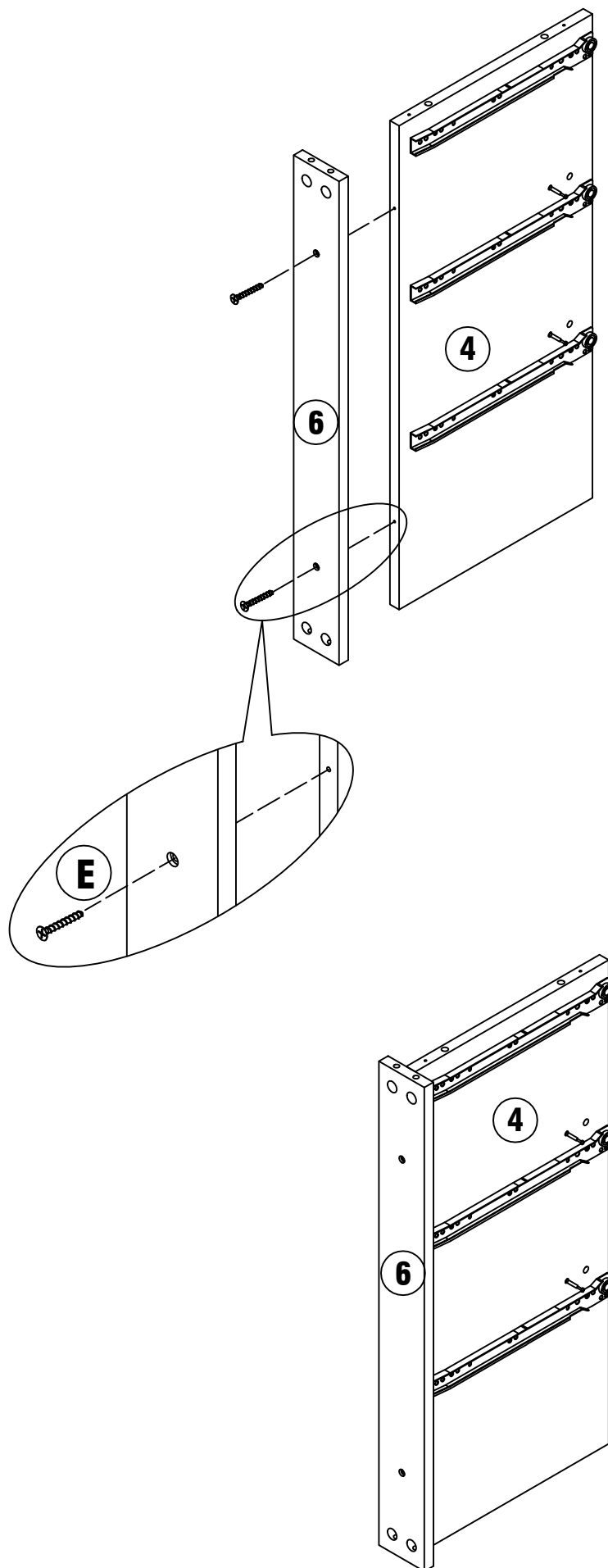
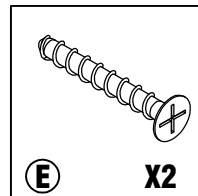
# STEP 7

	
<b>(B)</b>	<b>X18</b>
<b>(L)</b>	<b>X3</b>



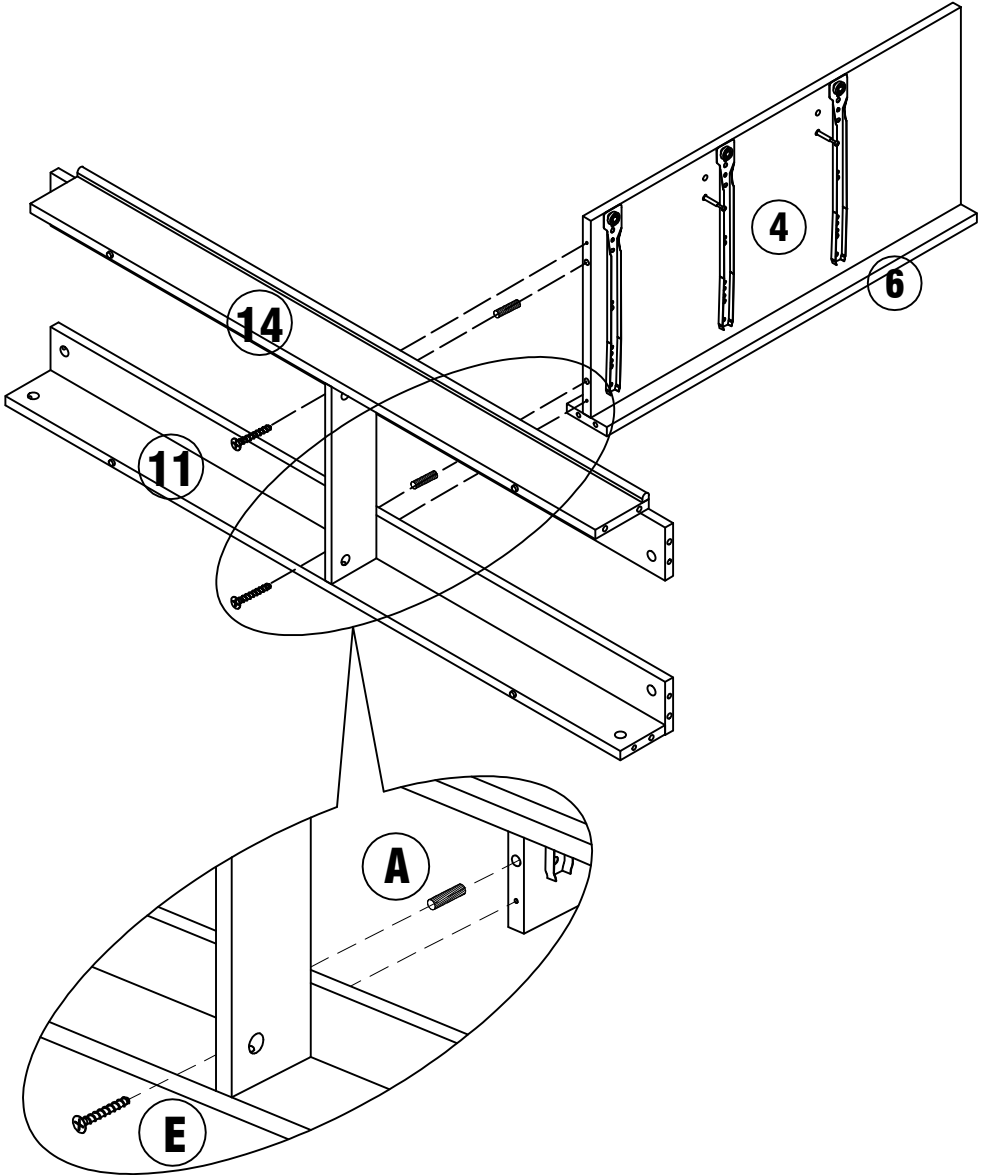
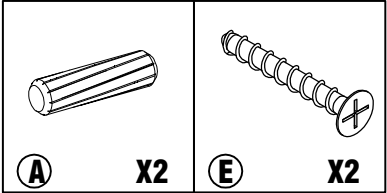
**SUPPORT: +18882062161**

# STEP 8



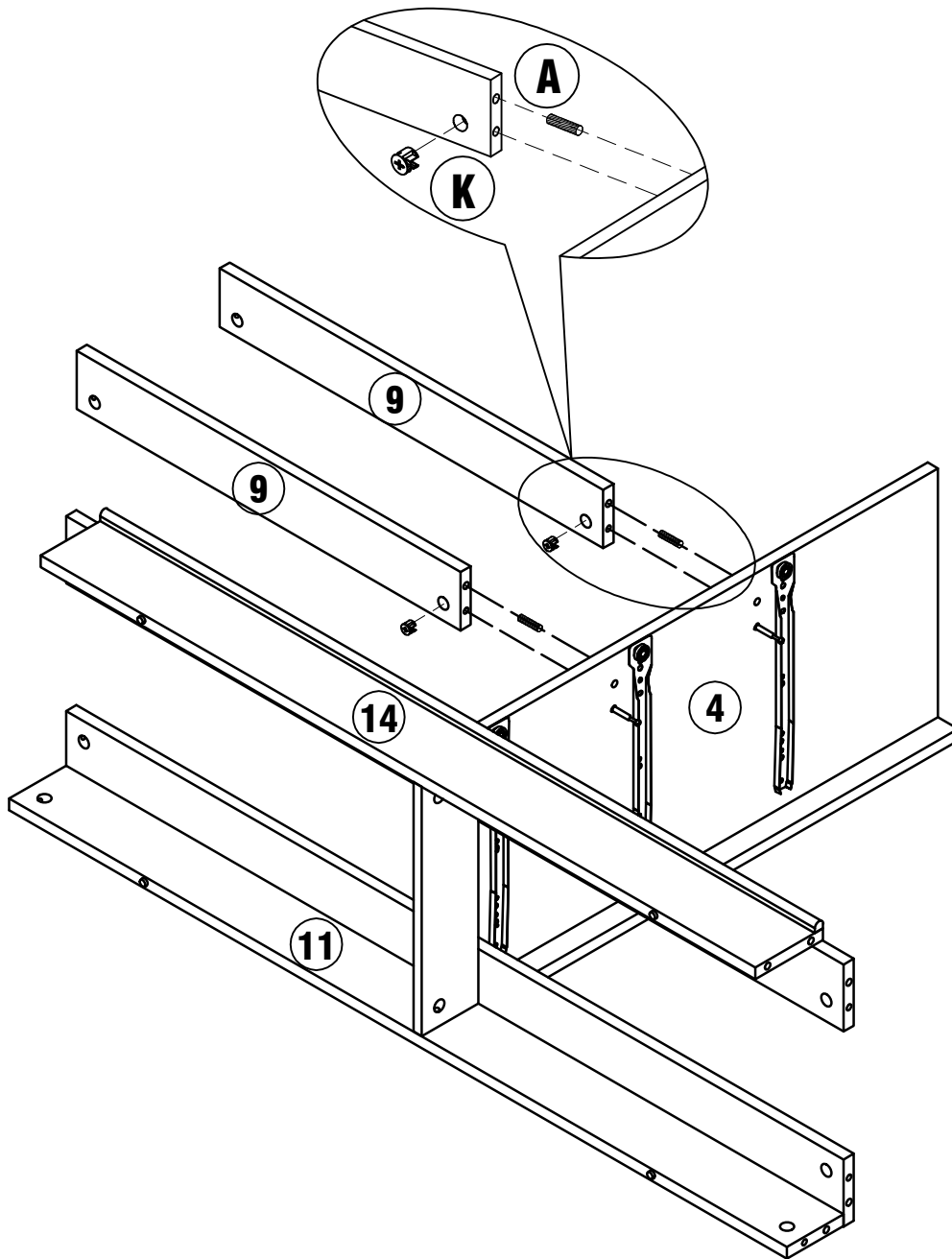
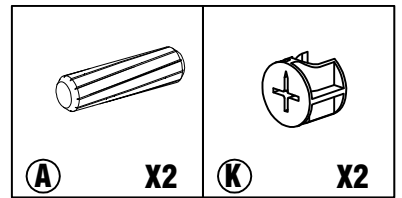
**SUPPORT: +18882062161**

# STEP 9




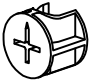
**SUPPORT: +18882062161**

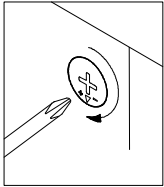
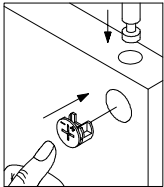
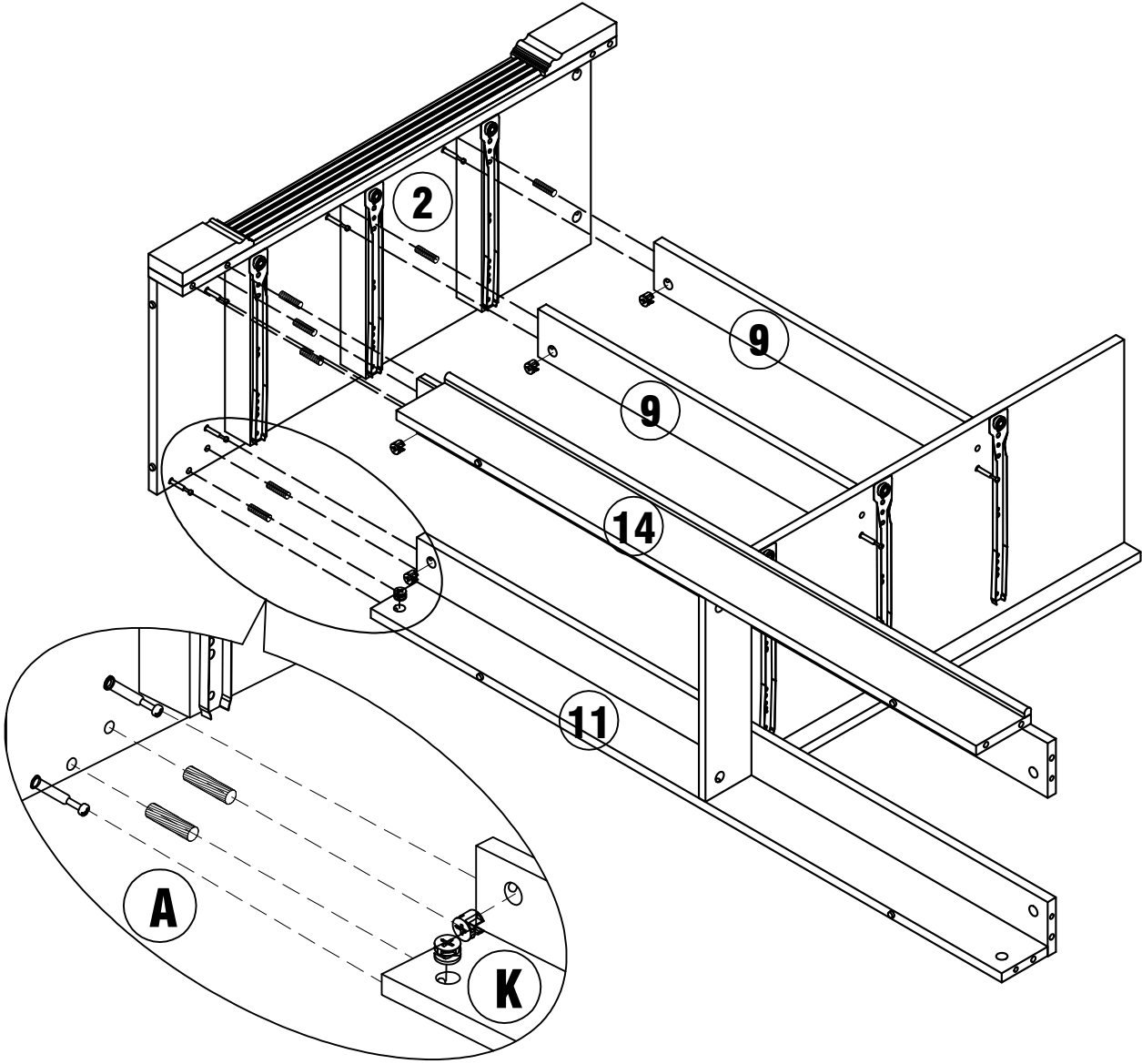
# STEP 10



**SUPPORT: +18882062161**

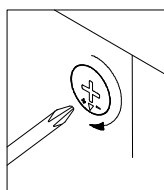
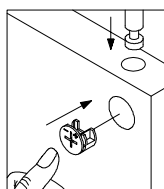
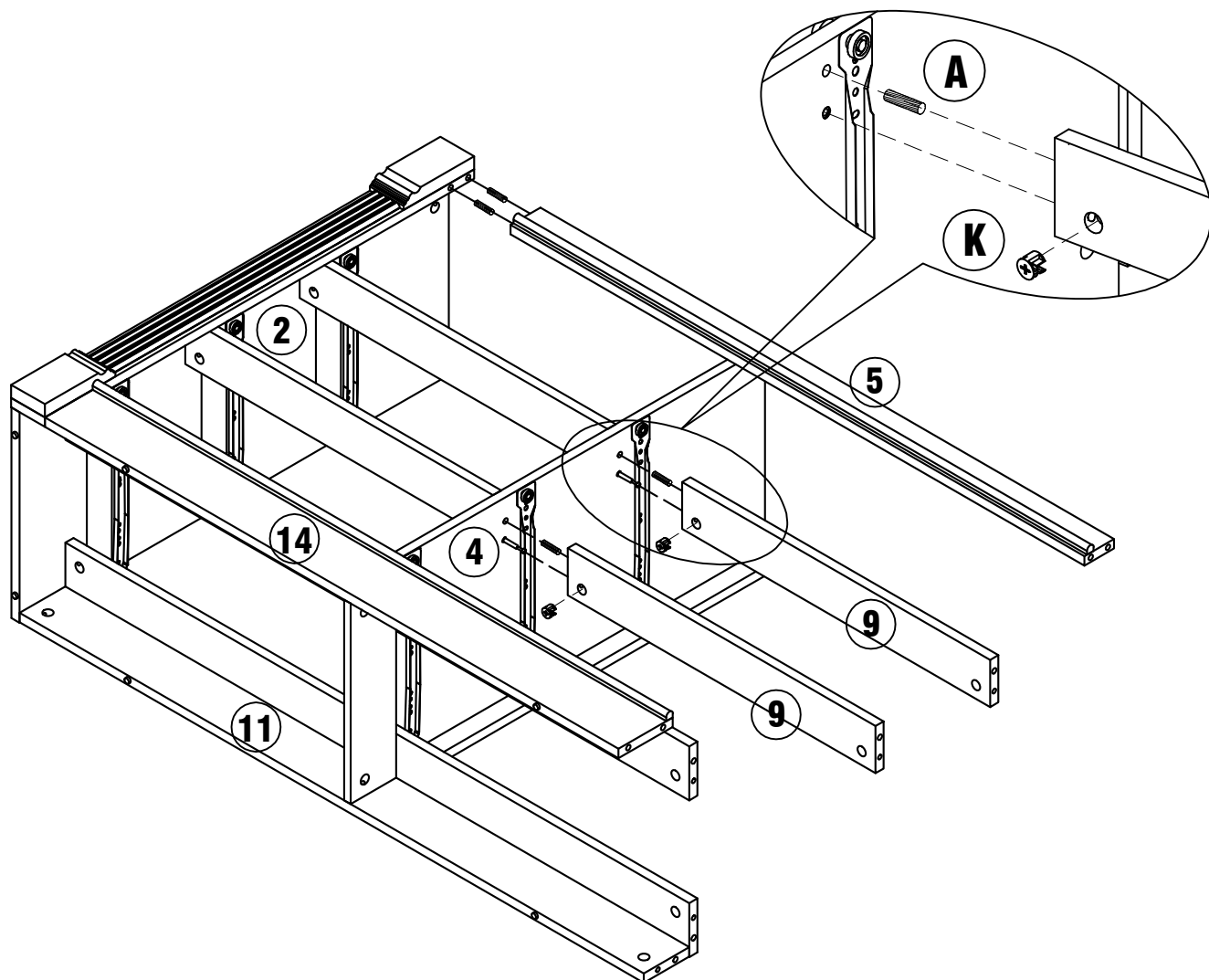
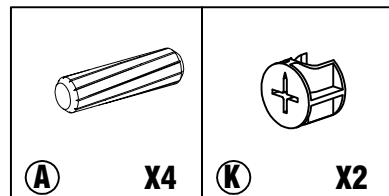
# STEP 11

	
<b>A</b>	<b>X7</b>
	<b>K</b>
	<b>X5</b>




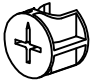
**SUPPORT: +18882062161**  
**-15-**

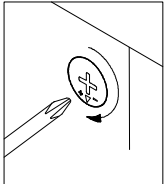
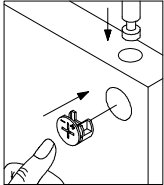
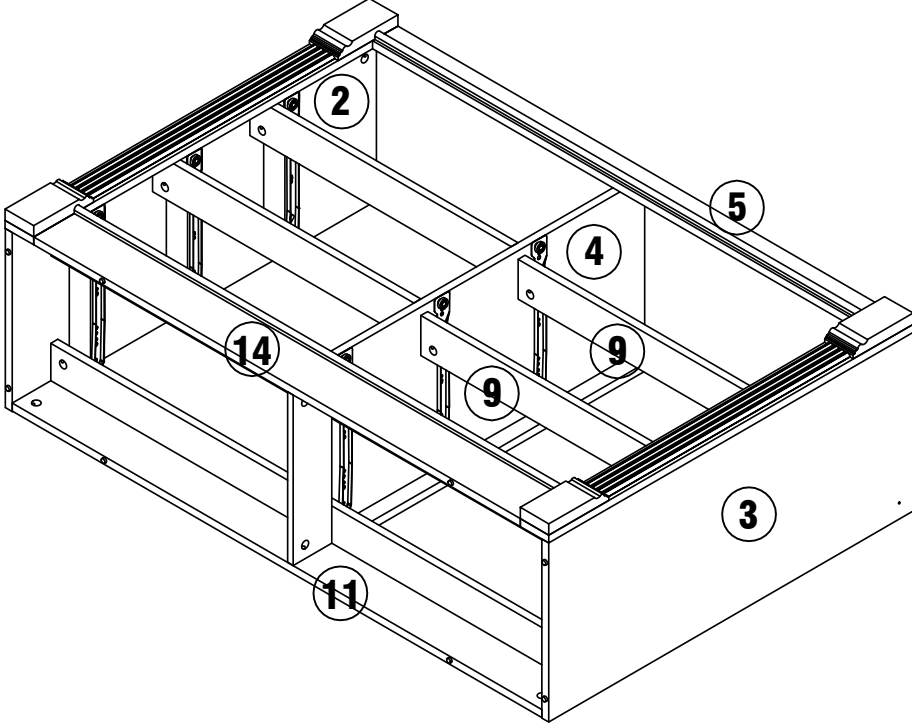
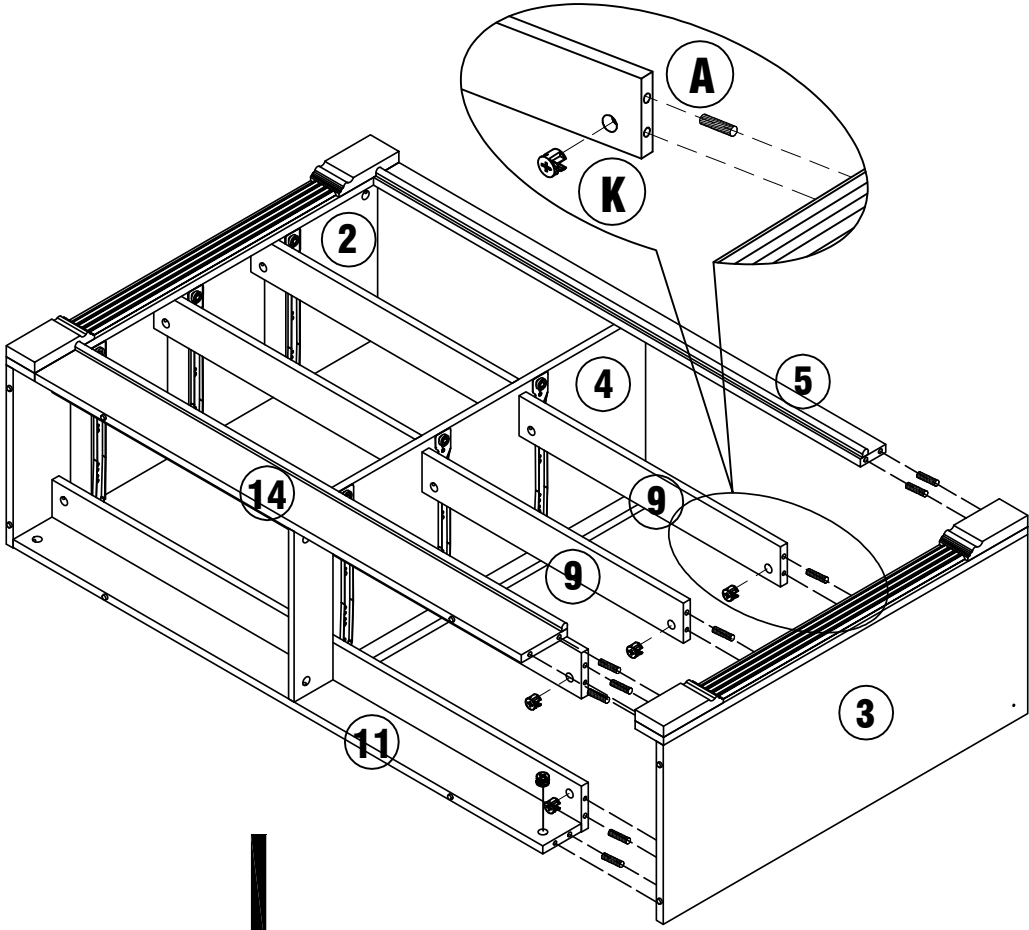
# STEP 12



**SUPPORT: +18882062161**  
**-16-**

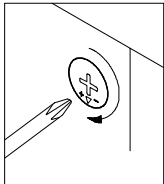
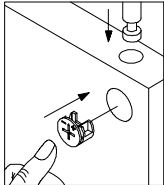
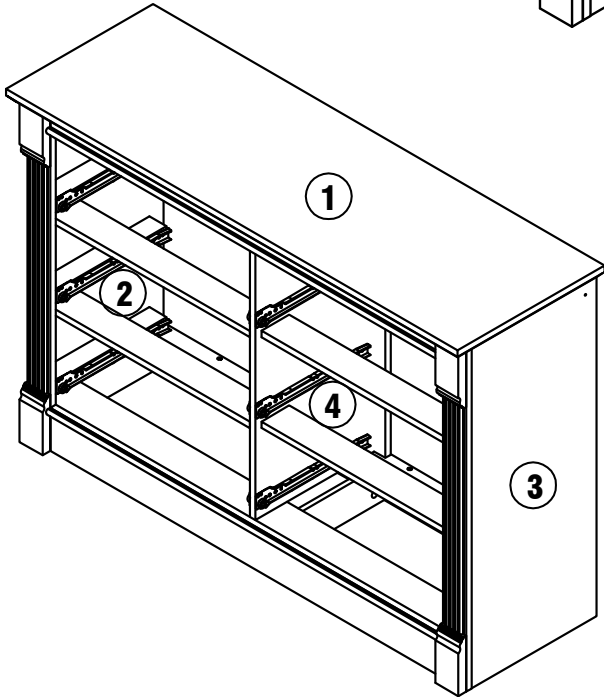
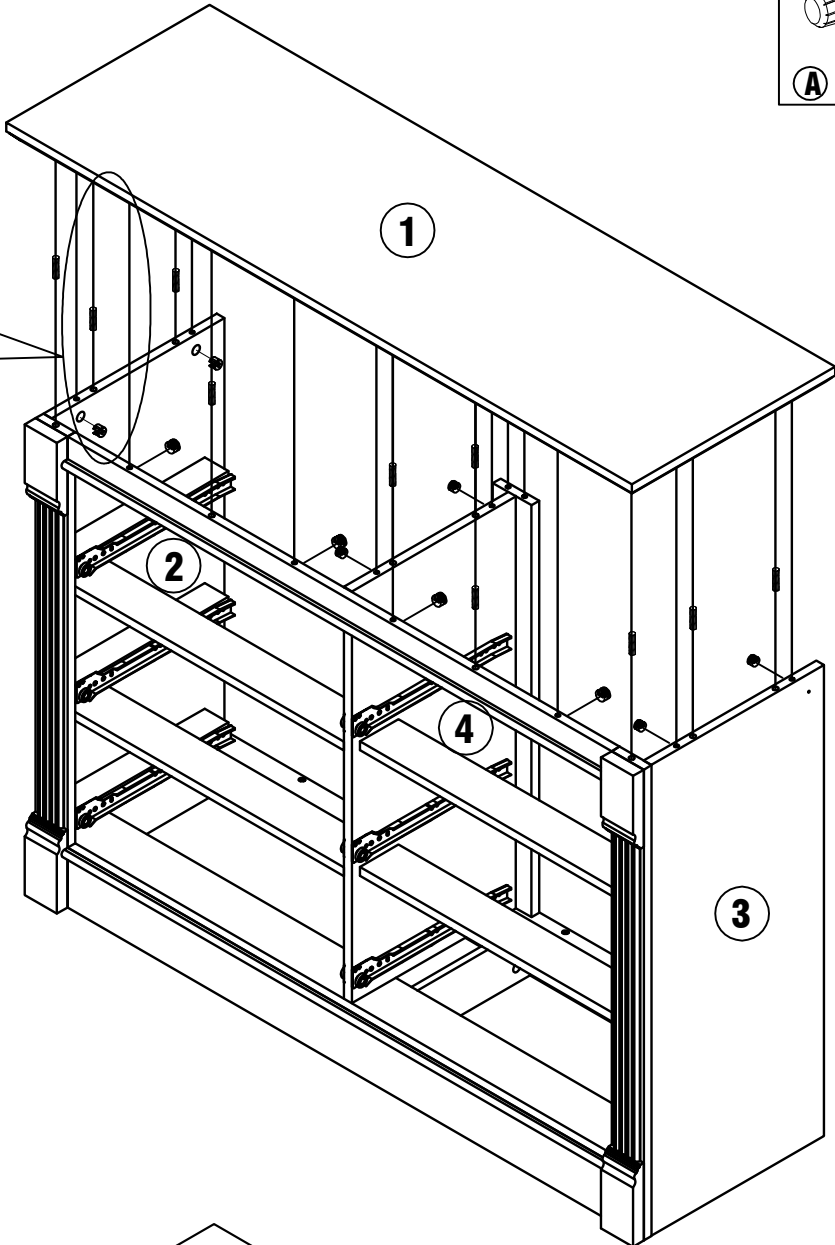
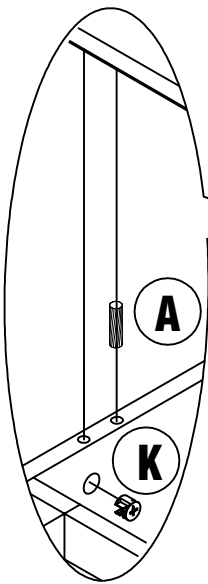
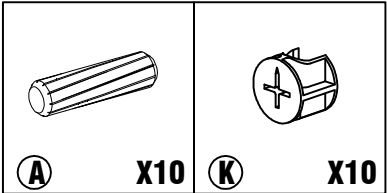
# STEP 13

	
<b>A</b>	<b>X9</b>
<b>K</b>	<b>X5</b>





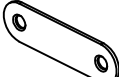
**SUPPORT: +18882062161**

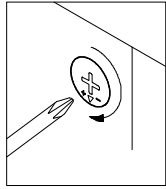
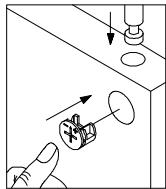
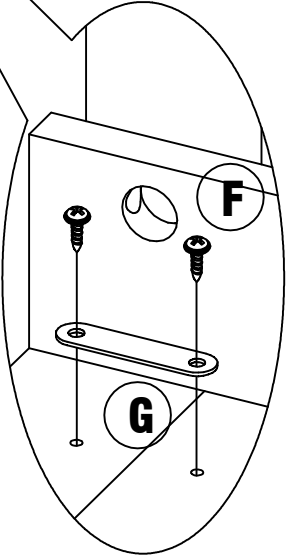
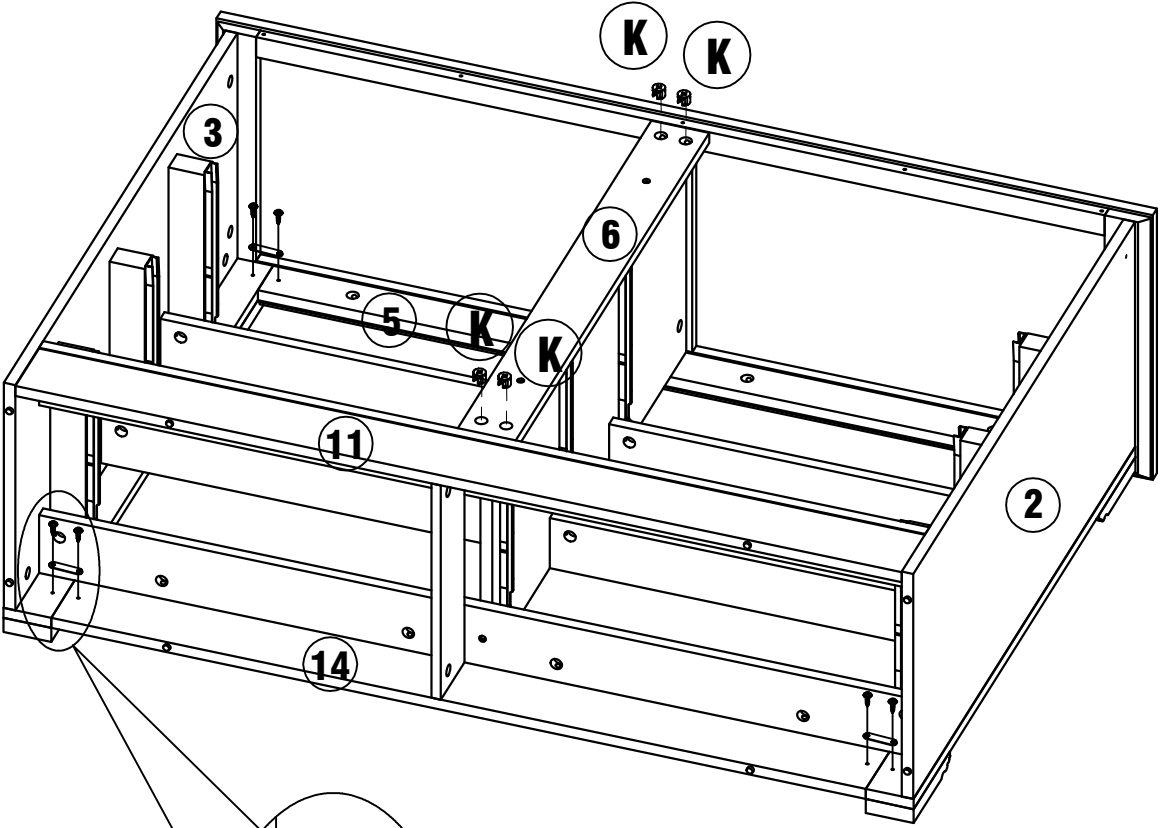
# STEP 14



**SUPPORT: +18882062161**  
**-18-**

# STEP 15

		
<b>(K)</b> X4	<b>(F)</b> X8	<b>(G)</b> X4



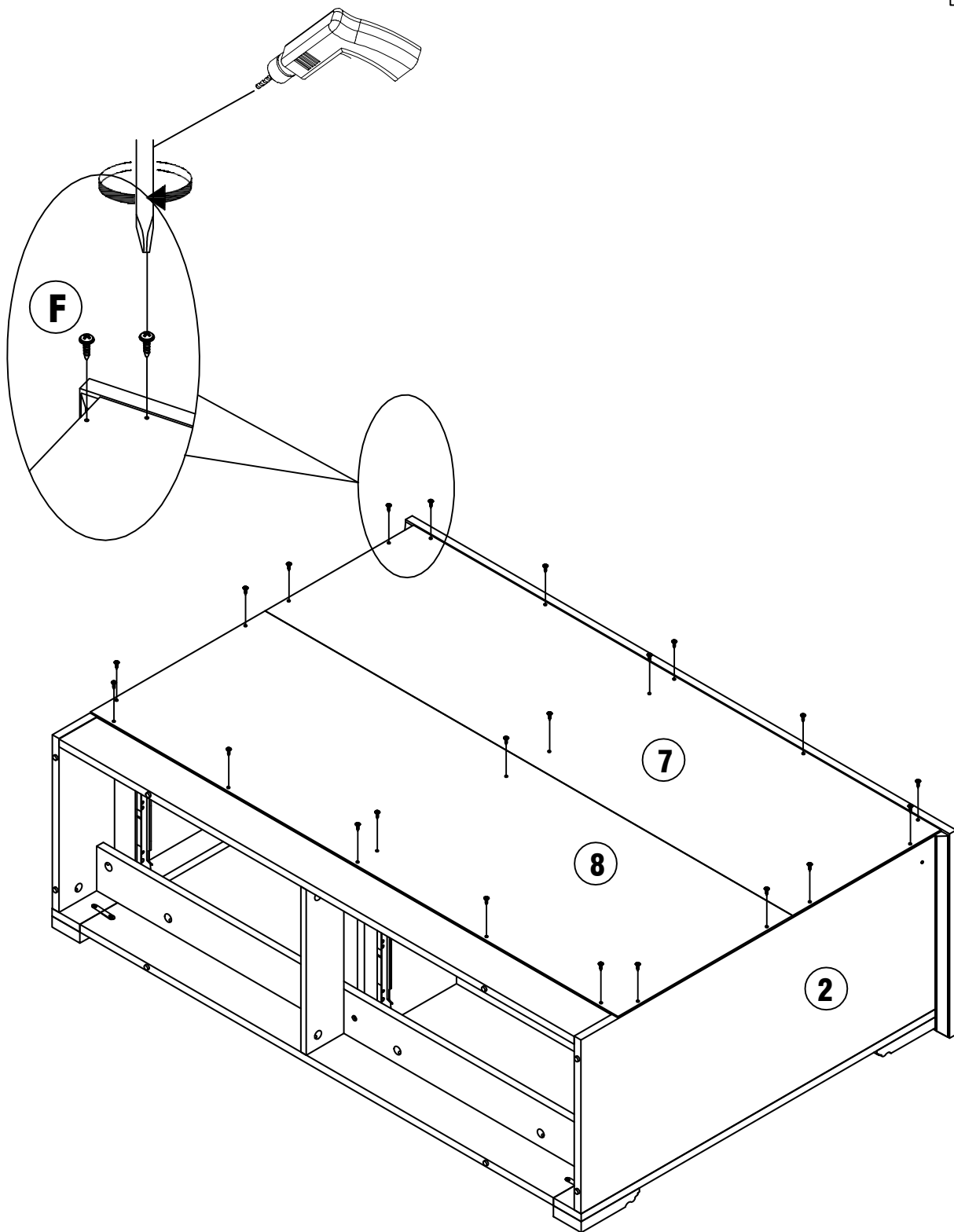
**SUPPORT: +18882062161**  
**-19-**

# STEP 16



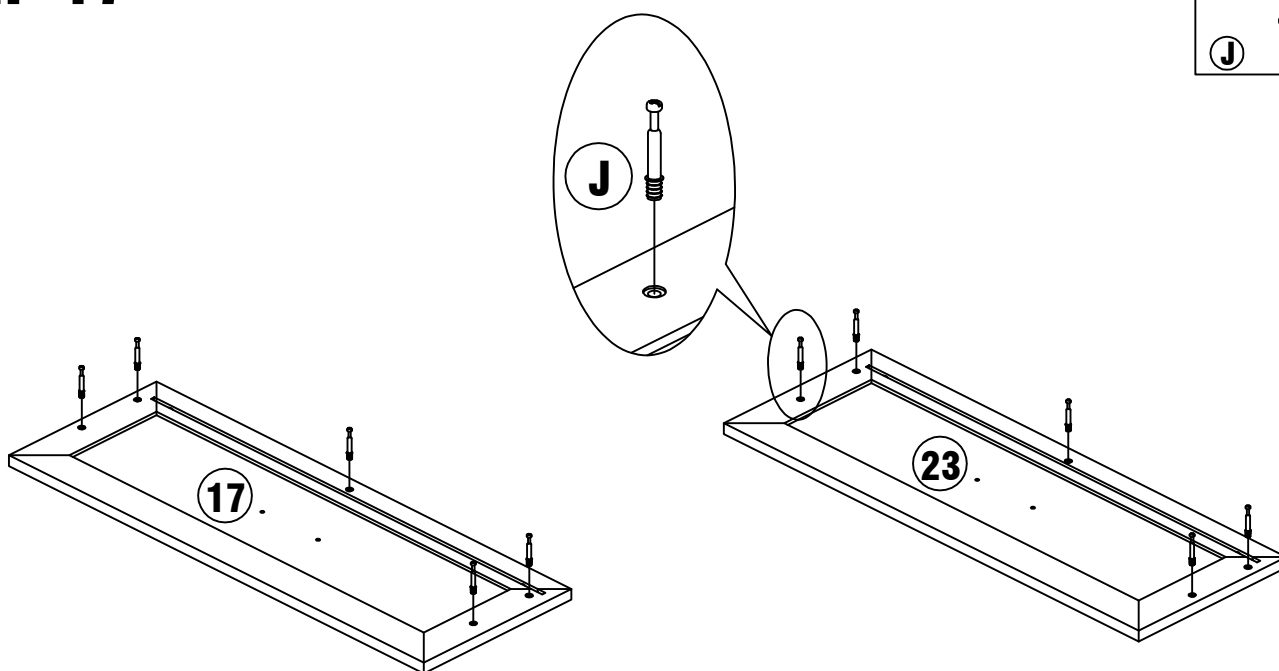
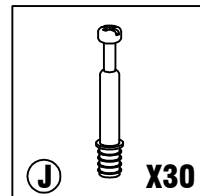
F

X22



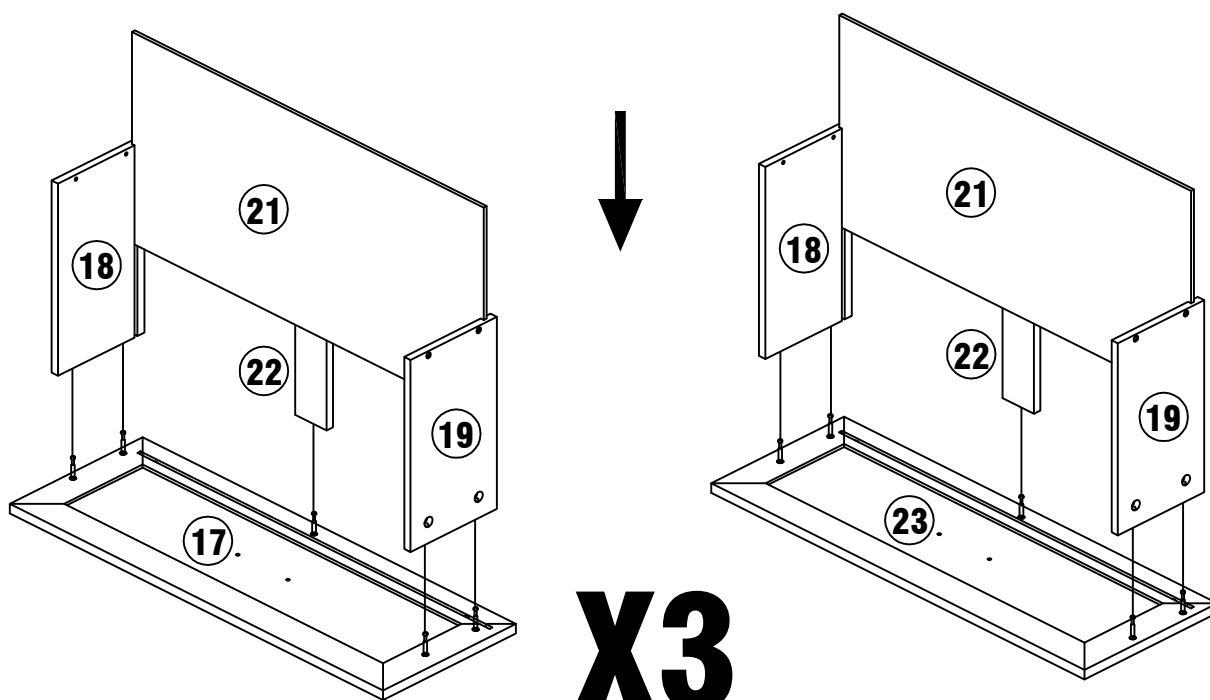
**SUPPORT: +18882062161**

# STEP 17



# X3

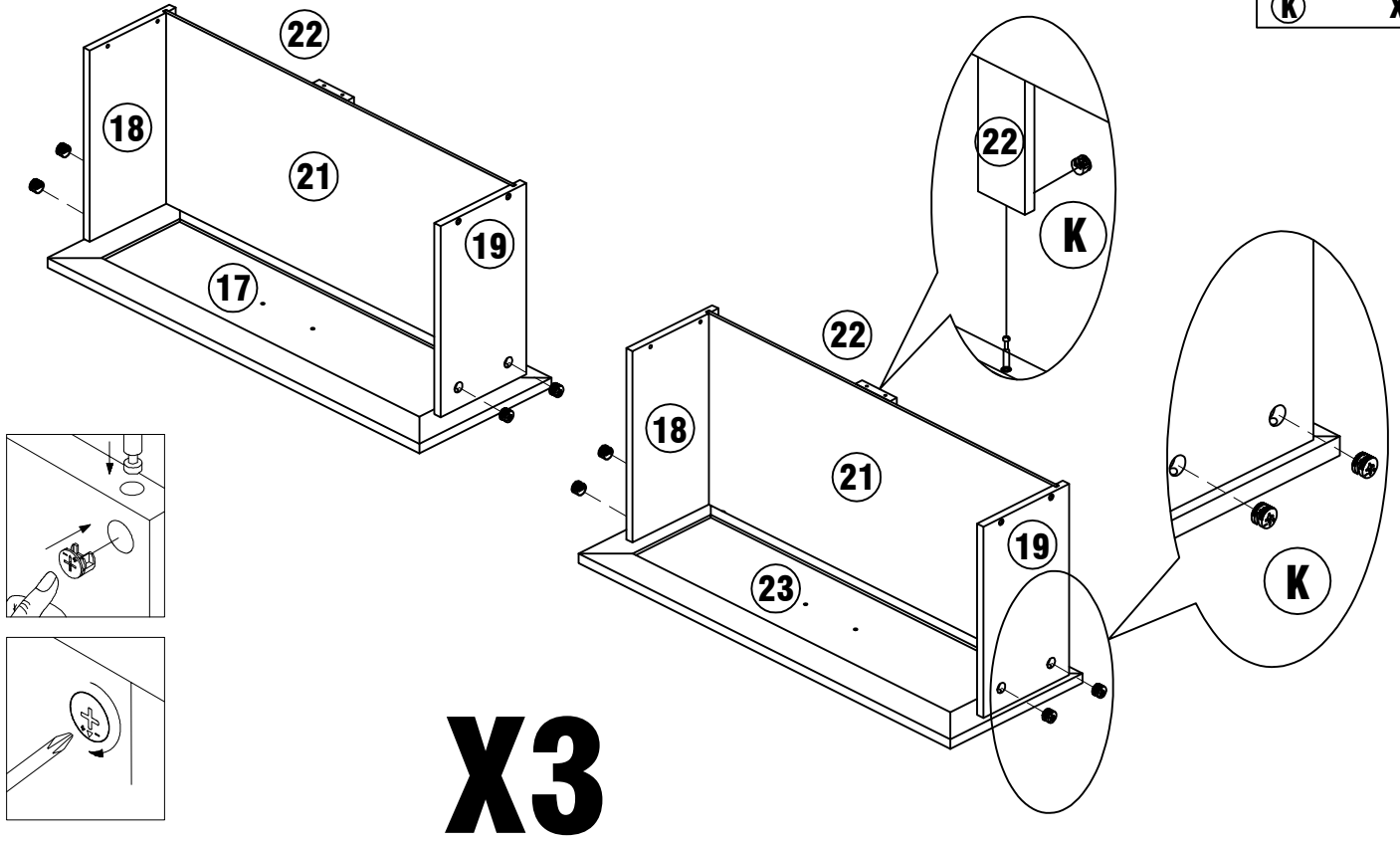
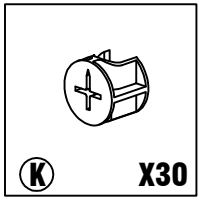
# STEP 18



# X3

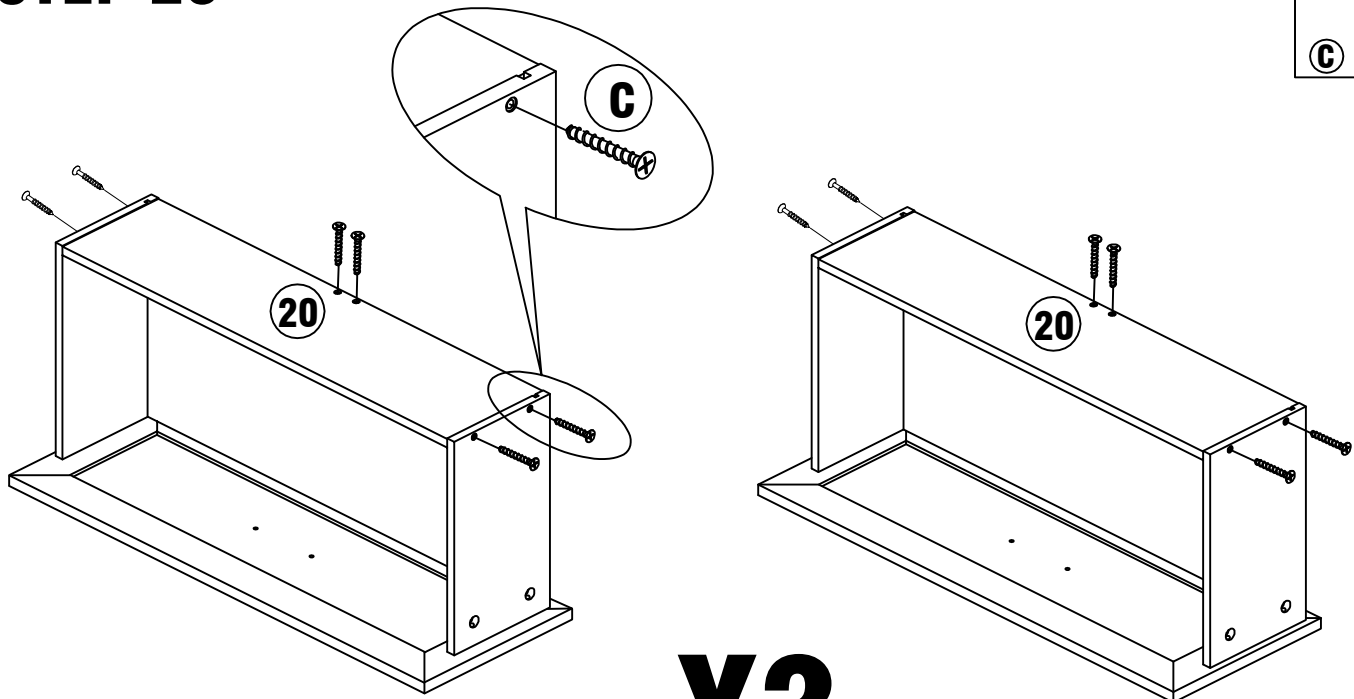
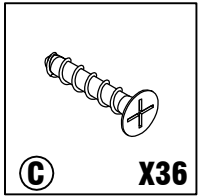
**SUPPORT: +18882062161**

# STEP 19



**X3**

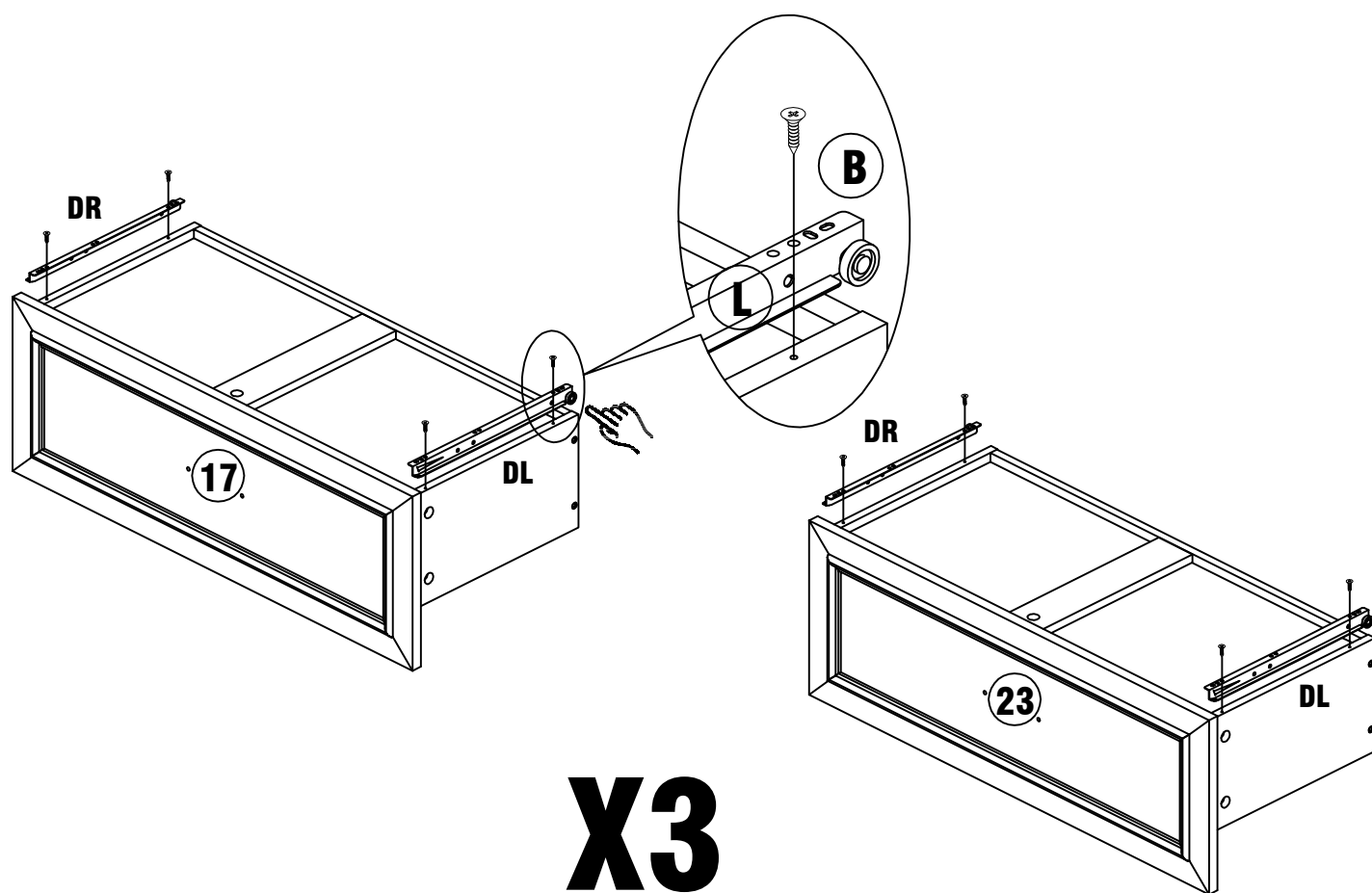
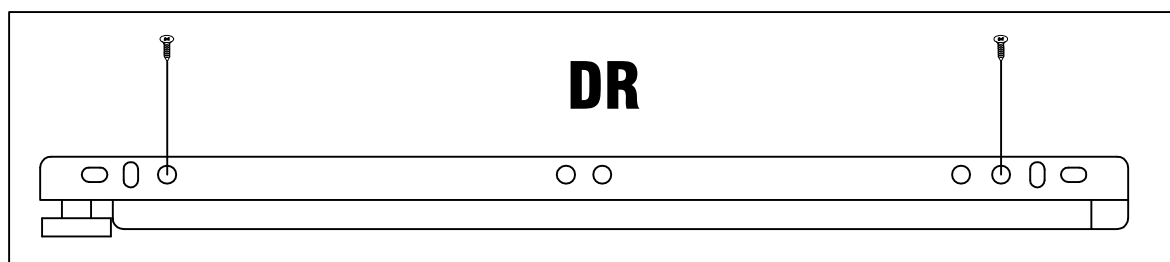
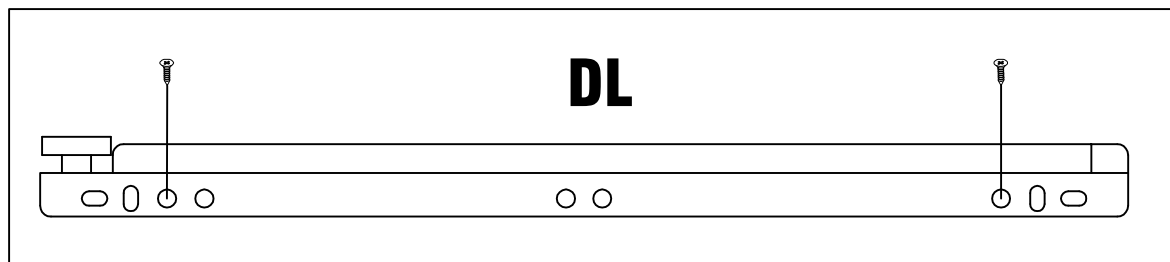
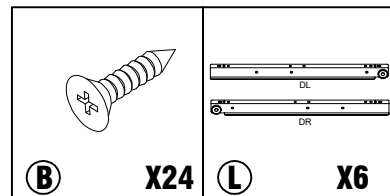
# STEP 20



**X3**

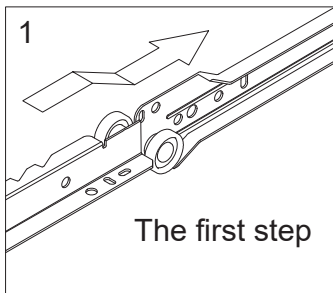
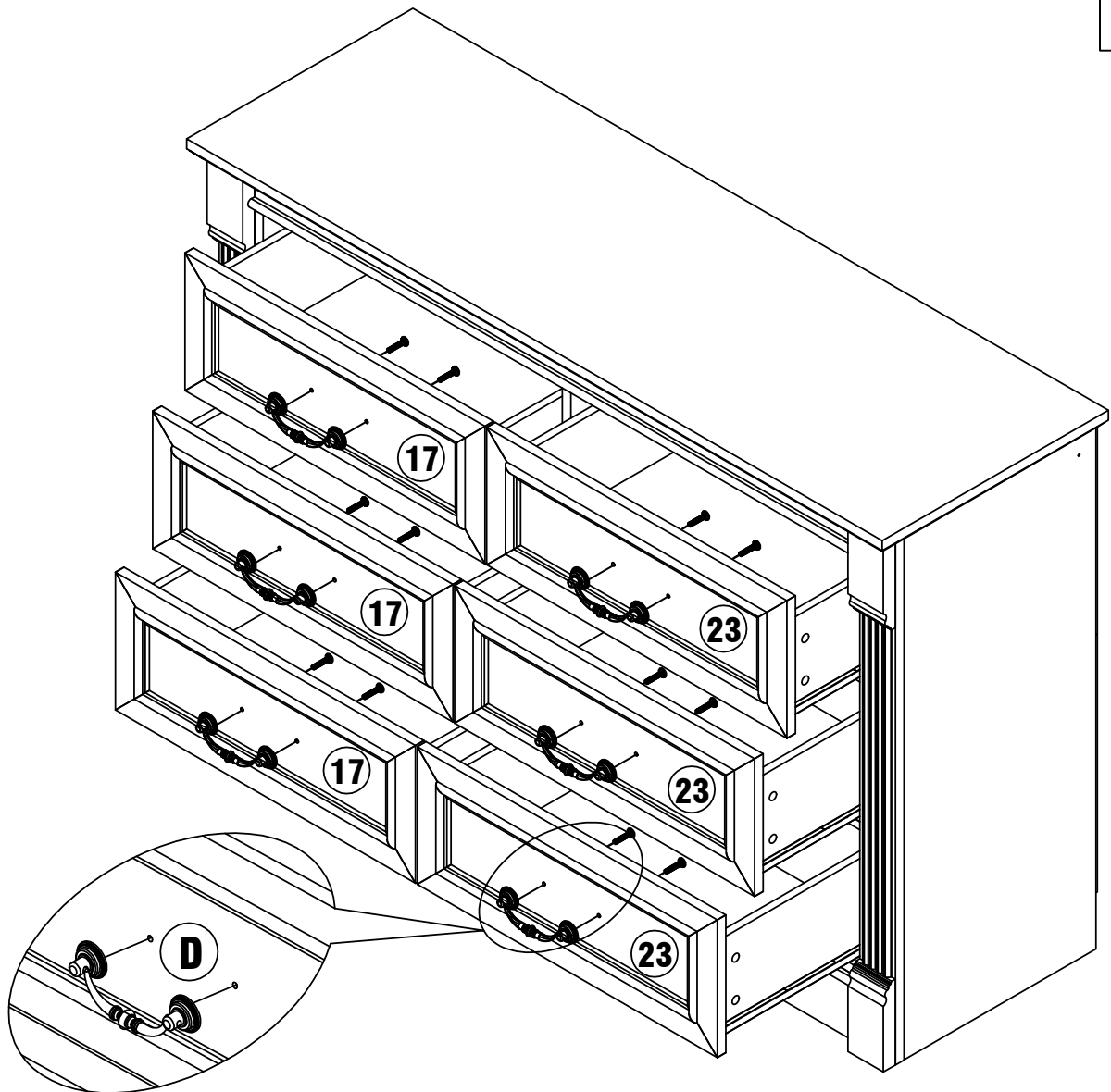
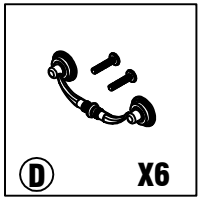
**SUPPORT: +18882062161**

# STEP 21

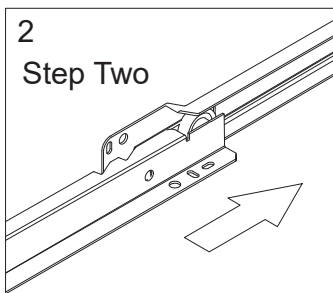
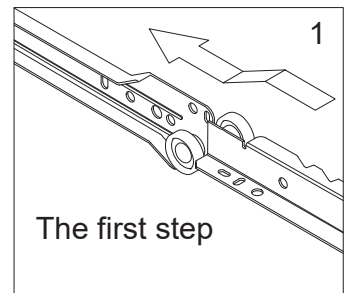


**SUPPORT: +18882062161**  
**-23-**

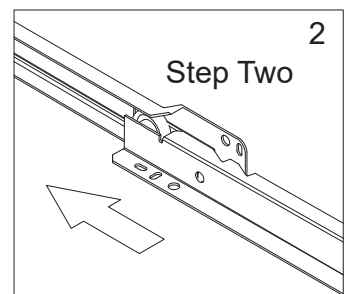
# STEP 22



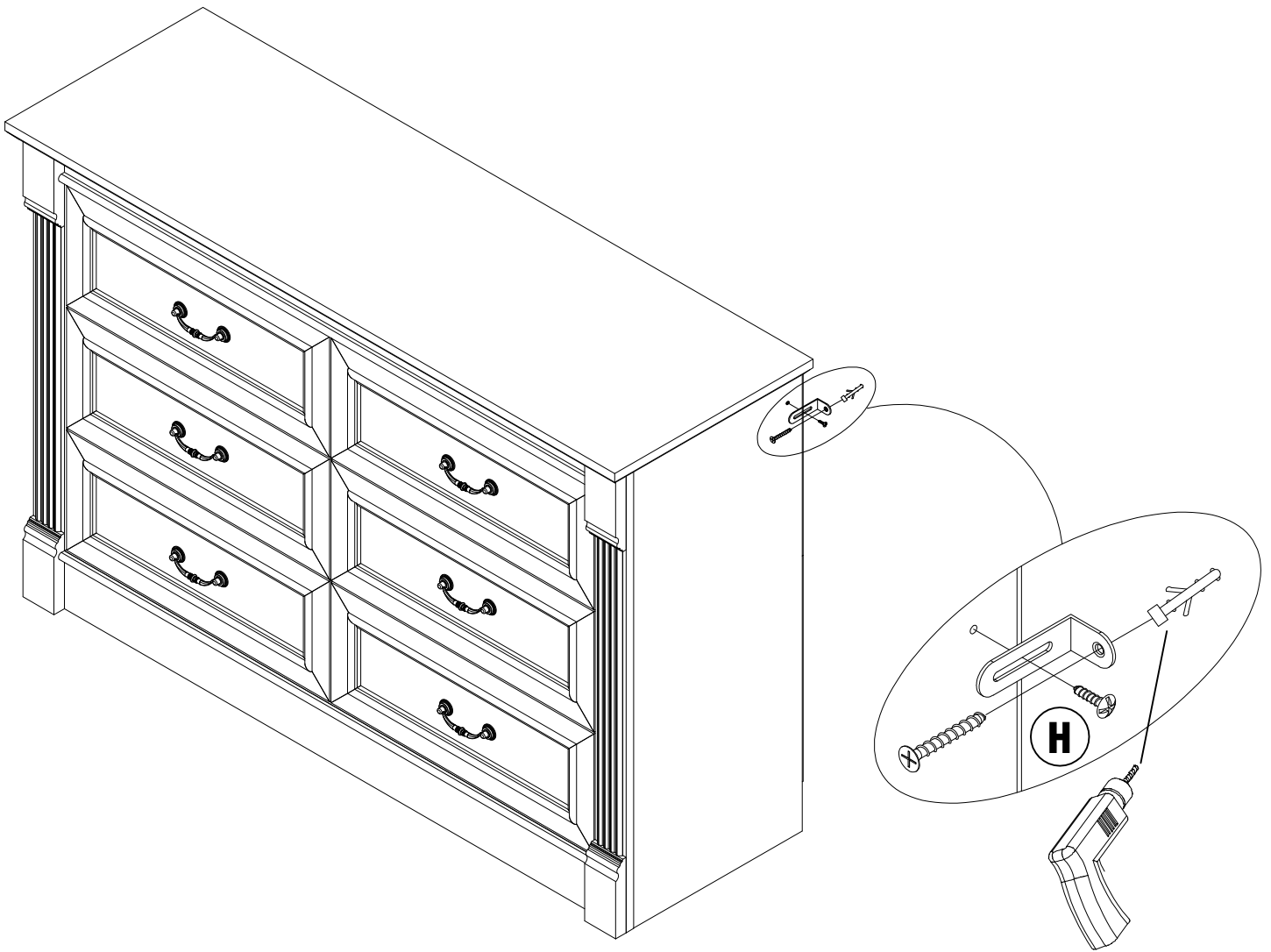
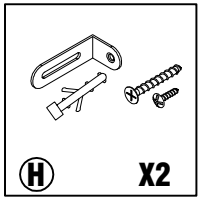
1. When you put the drawer, please note that the drawer wheels on top of the wheels of the slide, then check whether the drawer is smooth when pulled out. Otherwise, the drawer will not be aligned with other drawers.



2. Note: When installing, ensure that the sub-rail is fully inserted into the main rail



# STEP 23



<b>⚠ WARNING</b>	
	<p><b>Children have died from furniture tipover. To reduce the risk of furniture tipover:</b></p> <ul style="list-style-type: none"><li>• ALWAYS install anti-tip device provided.</li><li>• NEVER put a TV on this product.</li><li>• NEVER allow children to stand, climb or hang on any drawers, doors, or shelves.</li><li>• NEVER open more than one drawer at a time.</li><li>• Place heaviest items in the lowest drawers.</li></ul> <p><i>this is a permanent label. Do not remove!</i></p>

**SUPPORT: +18882062161**