

PRASKY

Multifunctional Professional Blender

User Manual

DM-03



✉ support@praskylife.com

🌐 praskylife.com

☎ 1-866-228-7981

CUSTOMER SERVICE & WARRANTY

Thank you for choosing Prasky Blender and becoming our valued customer. At Prasky, we value every customer's trust and are dedicated to delivering the best in both product performance and customer support.

Prasky offers a 1-year warranty + 30-day return/exchange policy lifetime support for this product. We will provide the best service for our brand's customers.

For any user manual problem, missing accessories, damaged package, any questions or feedback, or if you want to extend the warranty for one more year. Please contact the brand support team at:

✉ support@praskylife.com

🌐 praskylife.com

☎ 1-866-228-7981

In order to help you solve the problem efficiently, please send us the following information when you contact us:

*Amazon order number.

*A brief description of the problem: problem + the efforts you tried+photos/video.

CONTENTS

BEFORE USE

Important Safeguards	01
Instructions	03
Product Overview	04

HOW TO USE

Control Panel	06
How to Use Your Blender	09
Cleaning Method and Storage Method	11

Other

Product Parameters	12
Common Problems and Solutions	13

Important Safeguards

WARNING: This device contains electrical connections and moving parts that may pose a risk to the user. Avoid the risk of serious injury when using the blender. Basic safety precautions should be followed, including but not limited to the following:

***Please read all instructions, safety precautions, and warnings before operating.

***Please take your time and use caution during unboxing and equipment installation. This device contains sharp blades that may cause injury if not handled properly.

***Inventory everything to make sure you have all the parts you need to operate your equipment correctly and safely.

1. Do not allow children to operate or use this appliance as a toy. Close supervision is necessary when any appliance is used near children.

2. Do not operate the blender with a damaged power cord or plug, or if the blender has malfunctioned, been dropped, or damaged in any way.

3. Do not let the cord hang over the edge of the table or counter. Do not let the cord come into contact with a hot surface, including the stove.

4. Do not operate this appliance on or near any hot surfaces (such as a gas or electric burner or in a heated oven).

- 5. Do not** leave foreign objects, such as spoons, forks, knives, or the lid plug, in the container as this will damage the blades and other components when starting the machine and may cause injury.
- 6. Do not** use the appliance if the blade assembly is bent or damaged.
- 7. Do not** attempt to remove the container and lids from the motor base while the blades are still spinning. Allow the appliance to come to a complete stop before removing lids and containers.
- 8. Do not** attempt to defeat the interlock mechanism.
- 9. Do not** continuously use your machine for more than 3 minutes.
- 10. Do not** attempt to sharpen blades.
- 11. Do not** store ingredients in containers with blades before or after blending. Some foods may contain active ingredients or release gases that can expand if placed in a sealed container, causing excessive pressure buildup that may pose a risk of injury.
- 12. Do not** submerge the appliance or allow the power cord to contact any form of liquid to protect against the risk of electric shock.
- 13. Never** operate the appliance on soft surfaces. Always use the appliance on a dry, level, and firm surface.
- 14. Never** leave an appliance unattended when in use.

Instructions

WARNING

- Before using the product, please read the manual and all explanations carefully.
- Please don't let power line touch sharp edge or high temperature-surface.
- The product must be operated on stable reliable worktable.
- Hold the plug tightly when pulling it, don't pull its line.
- To ensure safety, please don't disassemble the product privately. If there is an abnormal situation, please return to place of purchase.



- Please don't use the product beyond its functions.
- Please don't let children use the product.
- Please stop using the product when power line or plug damage or other functions failure.
- Don't put the product into water or any other liquids



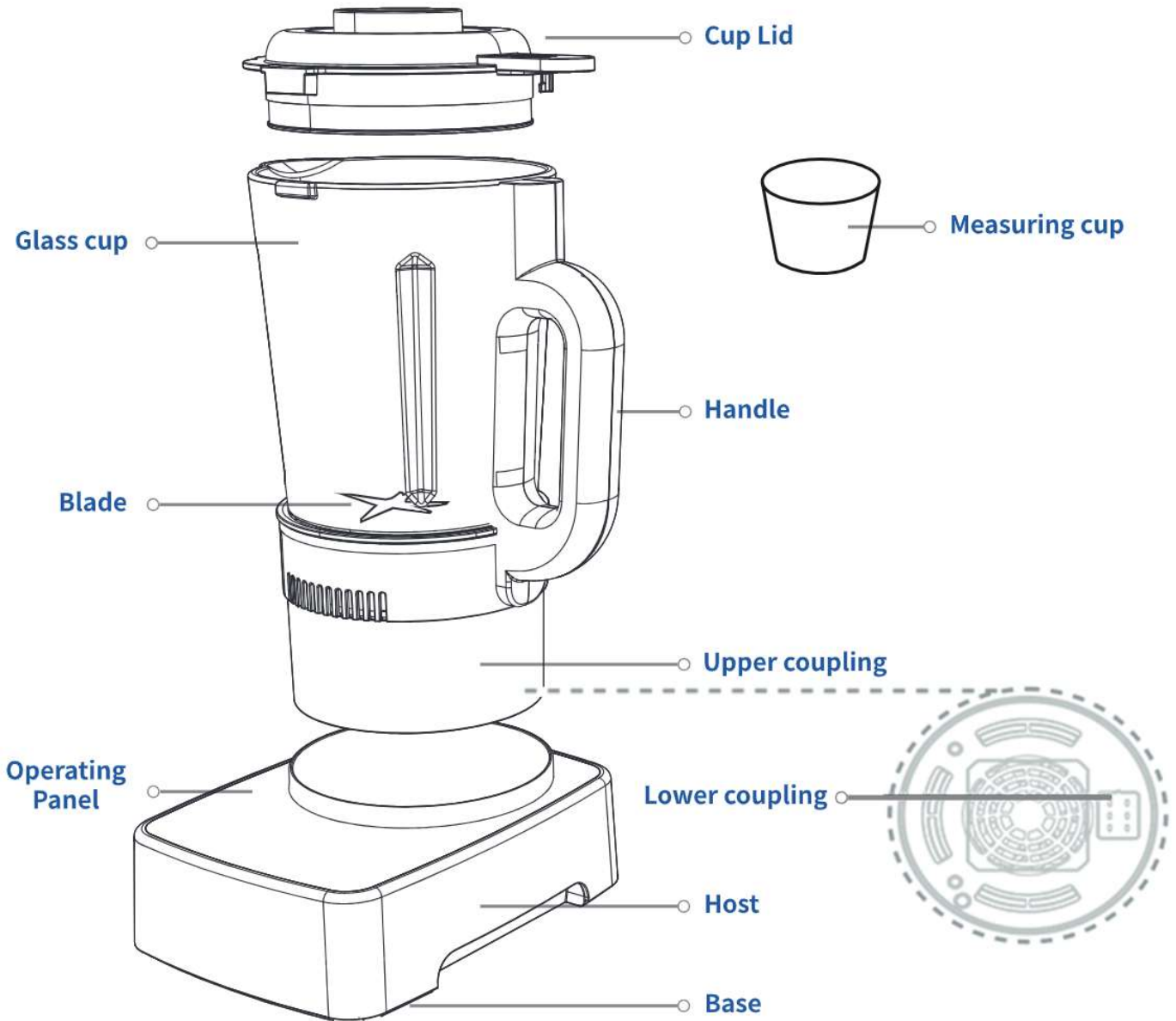
- The voltage to use should be 120V.



Specifications

Product Model	Voltage	Frequency	Average Power	Capacity	Max.Speed
DM-03	AC 120V	60Hz	1000W	55oz/1650ML	25,000RPM

Product Overview



- The above pictures are for reference only, The actual appearance and color of the product shall prevail.
- The glass cup, if damaged due to human factors, will not be replaced or covered by warranty by the company.

Parts Description

Cup Lid: Crafted from food-grade, designed to be used in conjunction with the cup body.

Glass Cup: Constructed of high-quality borosilicate glass, featuring a heating element at the base for holding and preparing soup.

Blade: Engineered from stainless steel, utilized for the chopping and grinding of a variety of foods.

Operating Panel: This interface allows you to select and configure the necessary functions.

Handle: Serves as a grip for securely holding the cup body when removing it.

Upper Coupling: Works in tandem with the lower coupling, requiring precise alignment and a firm press to secure.

Base: Offers stability to the appliance, equipped with anti-vibration feet for a steady foundation.

Measuring Cup: A tool for accurately measuring quantities of food ingredients.

Lower Coupling: Responsible for delivering power to the cup body; avoid washing it directly with water.

CAUTION 1: The tamper is to be used exclusively when the primary section of the lid is securely in place. Ensure you hold the container firmly while operating the tamper.

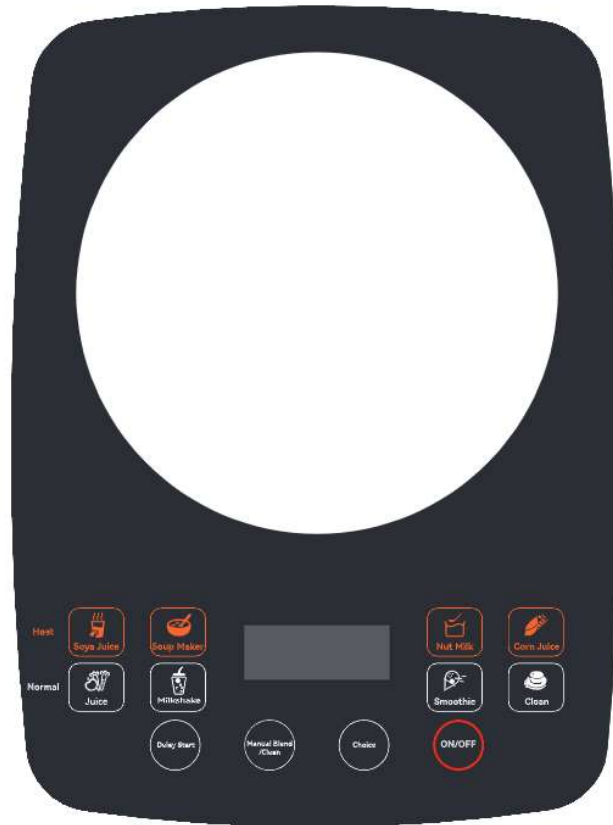
CAUTION 2: Lids and tampers are designed for specific container styles, types, and sizes, and should not be interchanged.

Power Cord: The blender comes with an extended power cord. When not in use, neatly coil and store the excess length beneath the blender.

Bottom View/Cord Wrap: The blender is equipped with plastic cord retainers that keep the power cord securely in place. These retainers are flexible, returning to their original position after the cord is removed.

Slip Resistant Feet: Designed to prevent the blender from moving during operation, these feet also protect countertops and tables from scratches and damage.

Control Panel



Operative Mode	Functional Operation Procedure	Machine Status	Indicator /Display status
Soya Juice	Press the "ON/OFF" Button, then press the "Choice" Button to move to "Soya Juice" Button, Press "ON/OFF" Button again to start working (or wait 5 seconds to start working)	Boiling time (1200ml) : 8 minutes to 100°C to start the countdown, start to work/boil 24 minutes after the stop	1.ON/OFF: The screen is on 2. Function selection: The function indicator blinks 3. Boiling water heating: the screen flashes 4. Working: the screen displays countdown 5. Appointment: the screen displays countdown
Soup Maker	Press the "ON/OFF" Button, then the "Choice" Button to move to "Soup Maker" Button, Press "ON/OFF" Button again to start working (or wait 5 seconds to start working)	Boiling time (1200ml) : 8 minutes to 100°C to start the countdown, start to work/boil 17 minutes after the stop	
Nut Milk	Press the "ON/OFF" Button, then the "Choice" Button to move to "Nut Milk" Button, Press "ON/OFF" Button again to start working (or wait 5 seconds to start working)	Boiling time (1200ml) : 8 minutes to 100°C to start the countdown, start to work/boil 17 minutes after the stop	

Operative Mode	Functional Operation Procedure	Machine Status	Indicator /Display status
Corn Juice	Press the "ON/OFF" Button, then press the "Choice" Button to move to " Corn Juice"Button, Press "ON/OFF" Button again to start working (or wait 5 seconds to start working)	Boiling time (1200ml) : 8 minutes to 100°C to start the countdown, start to work/boil 24 minutes after the stop	
Juice	Press the "ON/OFF" Button, then press the "Choice" Button to move to "Juice"Button, then press "ON/OFF" Button to start working (or wait 5 seconds to start working)	Work starts, counting down 2 minutes to stop	
Milkshake	Press the "ON/OFF" Button, then the "Choice" Button to move to "Milkshake"Button, Press "ON/OFF" Button again to start working (or wait 5 seconds to start working)	Work starts, counting down 2 minutes to stop	
Smoothie	Press the "ON/OFF" Button, then press the "Choice" Button to move to "Smoothie"Button, Press "ON/OFF" Button again to start working (or wait 5 seconds to start working)	Work starts, counting down 2 minutes to stop	
Clean	Press the "ON/OFF" Button, then press the "Choice" Button to move to "Clean"Button, then press "ON/OFF" Button to start working (or wait 5 seconds to start working)	Work starts, counting down 2 minutes to stop	
Delay Start	Press the "ON/OFF" Button, and then press the "Delay Start"Button to set the reservation time(The longest reservation duration is 24 hours, and the "Delay Start"Button is set in 10 minutes foreach press or press and hold the "Delay Start"Button until you need to set the appointment time.) Select the "Choice"Button,and press the "ON/OFF" Button to set the reservation time, then select the procedure you need.	Appointment countdown to start of work	
Manual Blend /Clean	Press the "ON/OFF" Button and then the "Manual Blend/Clean" Button to start the machine (if you don't press the machine it will stop)	/	

- 1.ON/OFF: The screen is on
2. Function selection: The function indicator blinks
3. Boiling water heating: the screen flashes
4. Working: the screen displays countdown
5. Appointment: the screen displays countdown

Operative Mode	Functional Operation Procedure	Machine Status	Indicator /Display status
Choice	Press the "ON/OFF" Button, then press the "Choice" Button to switch to each function	/	1.ON/OFF: The screen is on 2. Function selection: The function indicator blinks 3. Boiling water heating: the screen flashes 4. Working: the screen displays countdown 5. Appointment: the screen displays countdown
ON/OFF	ON/OFF	/	

WARNING

DON'T fill the container with Hot ingredients over half full capacity to avoid overflow and cause injury.

DON'T fill the container with Hot ingredients over 1200ML capacity to avoid overflow and cause injury.

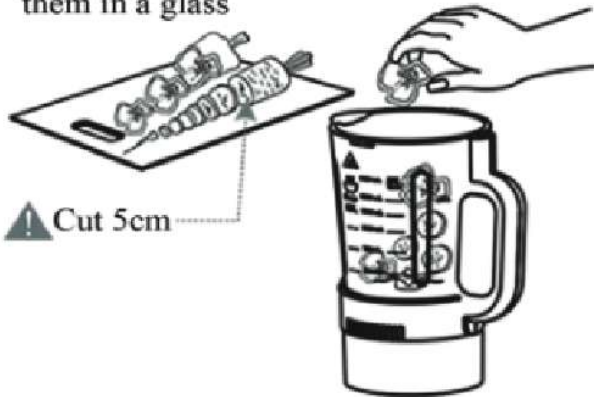
DON'T fill the container with Cold ingredients over 1500ML capacity to avoid overflow and cause injury.

NOTE: If you need to add additional ingredients while the appliance is processing, open the lid plug and pour ingredients in through the lid plug opening. Make sure the main part of the lid is in place when adding ingredients.

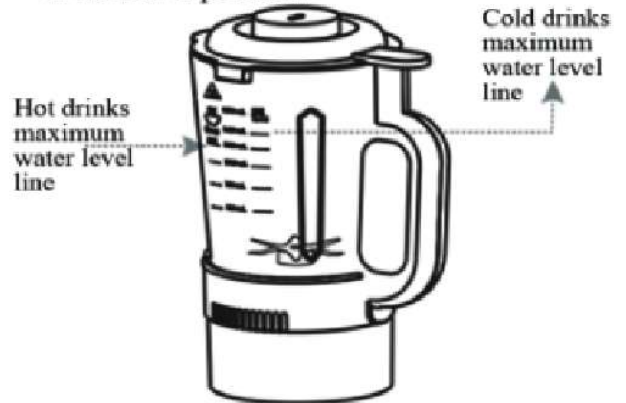
IMPORTANT: NEVER RUN THE APPLIANCE EMPTY.

How to Use Your Blender

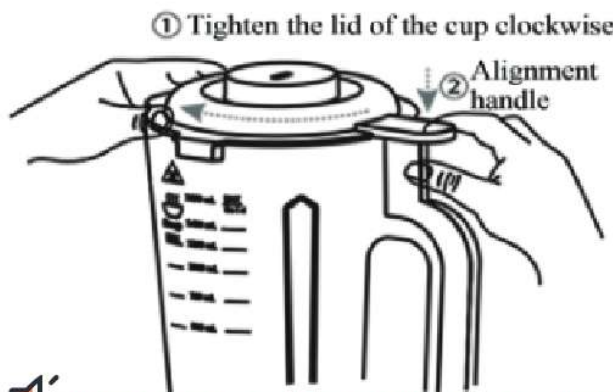
1. Prepare the ingredients according to the recipe and cut them into pieces and put them in a glass



2. Add water can't exceed the highest water level scale position

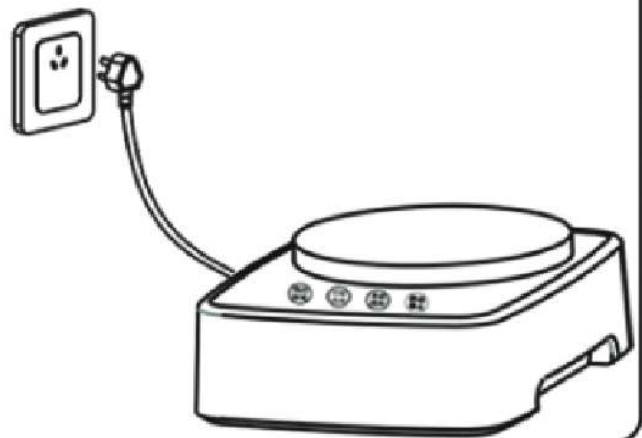


3. Cover the cup in the direction of the lid tip

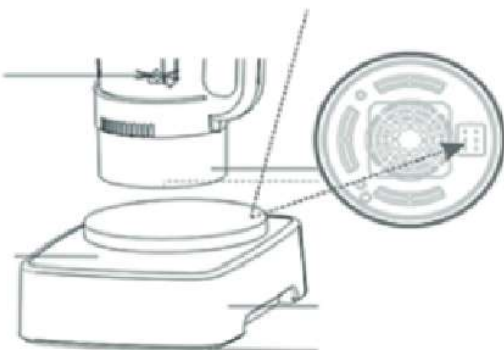


Please fully close switch otherwise doesn't working!

4. Connect to the power

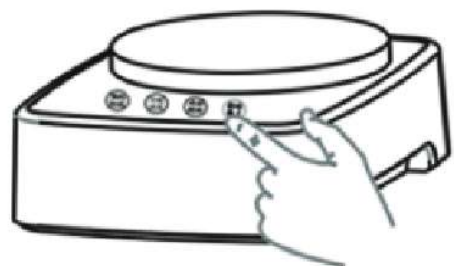


5. Cup handle aligned with the lower coupler mounted on the host

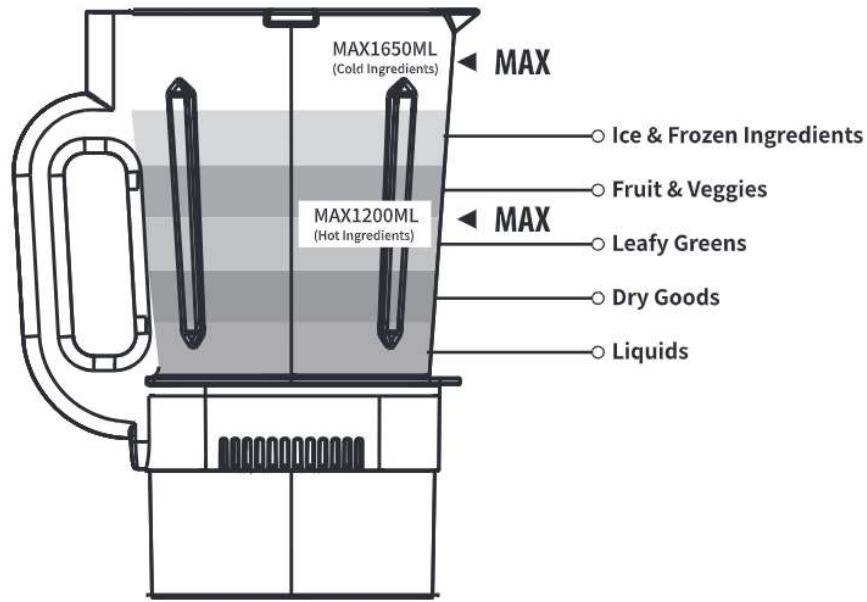


▲ Align the handle with the lower coupling position

6. Press the "Start/Stop" button to enter standby mode



Tips: How to load your container according to your recipe? We suggest liquids first, then dry goods, leafy greens, fruit & veggies, and finally ice & frozen ingredients.



1. With the motor off, set the container on the motor base by aligning it over the center pad. Do not ever attempt to put a container on an operating motor base or to operate a motor base without a container properly in place. The motor will not work if the container is not installed correctly.

CAUTION: Never attempt to remove the container while the appliance is still running.

2. Insert the lid plug into the lid plug opening and turn clockwise to lock it in place.

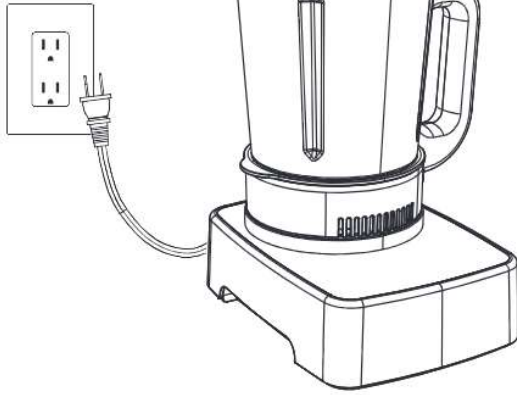
Please fully close switch otherwise doesn't working!

CAUTION: Never operate the blender without the lid securely latched during operation. Always use the complete lid when blending, especially when blending hot ingredients.

3. Plug the blender into a grounded, 2-prong outlet.

Warning: Make sure the power plug is safely connected to a grounded wall electrical socket.

Power Supply
120V AC



Warning: After plugging in, NEVER insert your hands into the container, as you may contact one of the blades and experience a laceration.

IMPORTANT! Please fully close switch otherwise doesn't working!

Cleaning Method and Storage Method

Before cleaning, please **make sure** the power plug is unplugged from the socket.

Note:

1. The lid cup can be washed in the dishwasher;
2. The inside of the glass body can be cleaned with water;
3. The outside of the glass body and the motor part can only be wiped with a wet.

Do not use thinners, gasoline, abrasive cleaners, polishing powders, scrubbers, nylon, or metal scrubbers.

Do not use a dishwasher.

Unplug the power plug from the socket when not in use. If you don't use it for a long time, please dry it thoroughly and store it in a well-ventilated place away from direct sunlight.

Cleaning Method

1. Fill a cup to about 1/2 full with water or lukewarm water (40°C or lower), add a small amount of kitchen detergent, and close the lid.
2. Press the ON/OFF button, then press the "Choice" button to move to "Clean" Button, then press ON to start working (or wait 5 seconds to start working)
3. Wipe the main motor and glass cup with a wrung-out cloth, and then wipe it with a dry cloth.

Product Parameters

Power Supply	120V 60Hz
Average Power	1000W
Number of Speeds	25,000RPM
Maximum Working Hours	24Mins
Capacity	55oz / 1650ML
Power Cord Length	1.5M

Common Problems and Solutions

Cases	Consider possible reasons	Solution
Does not work even when connected to power	Is the power plug disconnected from the outlet?	Make sure the power is properly connected.
Idling (doesn't stir well)	Is the amount of fluid too low?	Please add an appropriate amount of liquid (not less than 50ml).
	Too many ice cubes?	Please reduce the number of ice cubes.
	The safety device was activated due to the use of too large or too much material.	Cut the material into small pieces and wait about 10 minutes for the body to cool before use.
	Is it used continuously?	Please wait for the machine to cool down before use.
Water leakage	Is the cover tight?	Please tighten the cover.
	Is the cup out of place?	Please place the cup correctly on the machine.
	Does the blade wobble?	Prolonged use may cause wear to the blade.
Abnormal sound	Is the material too large or too much?	Cut the material into small pieces/reduce.
	Are the ice cubes too big?	Will cause damage to the blade, please do not use ice cubes that are too large.
Vibration is severe	Are you using the product on uneven or unstable surfaces?	Please use it on a level table.
	Is the food too big or too much?	Cut the material into small pieces and reduce.
Machine heat/odor	Is the food too big or too much?	Cut the material into small pieces and reduce.
	Is the continuous run time too long and the rest time too short?	The maximum operating time is 5 minute. Please wait about 20 minutes for the body to cool down before use.

PRASKY

Learn more about **Prasky**, please visit us at

praskylife.com 



Support Online Instant Chat

 **24/7** SUPPORT

 support@praskylife.com

 praskylife.com

 1-866-228-7981



Made in China



COLORO 121-39-28



PANTONE 7457 C

素材:128G铜版纸

尺寸:145*210