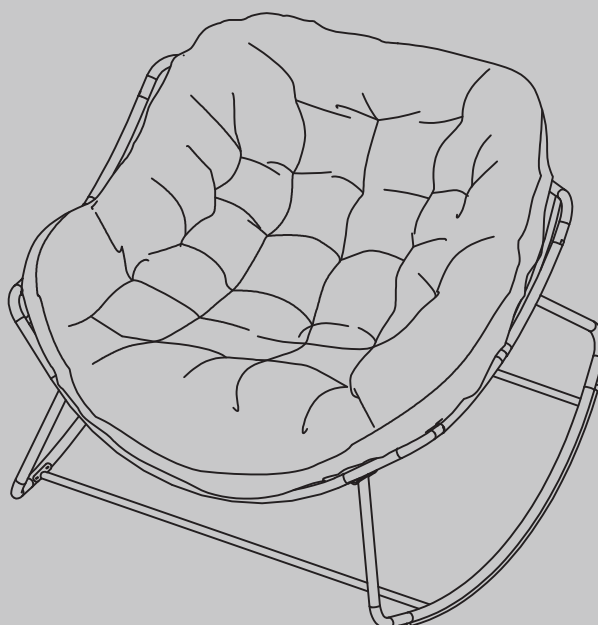
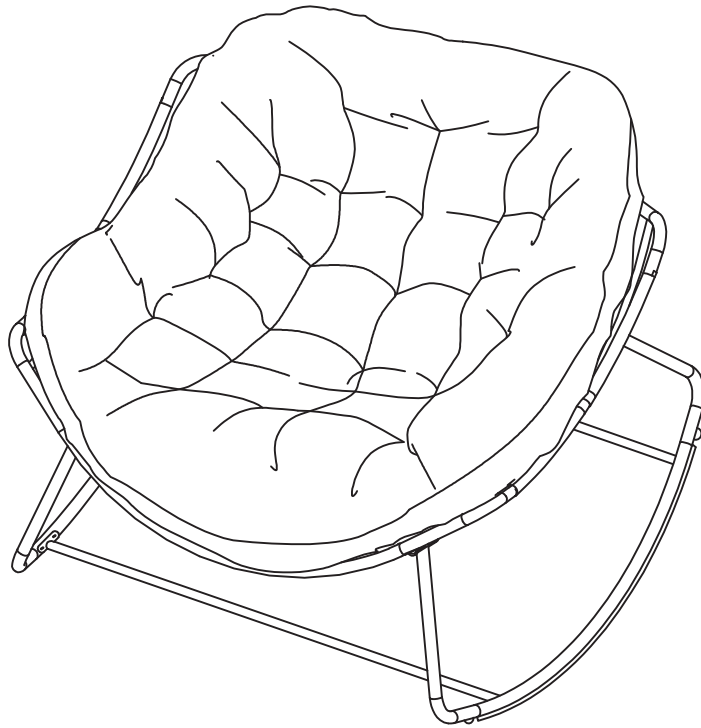
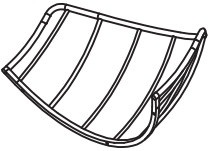
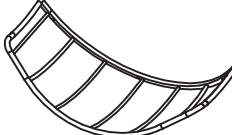
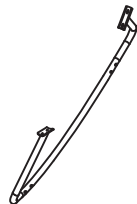
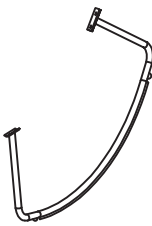

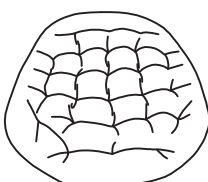





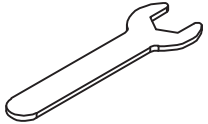


ASSEMBLY INSTRUCTION

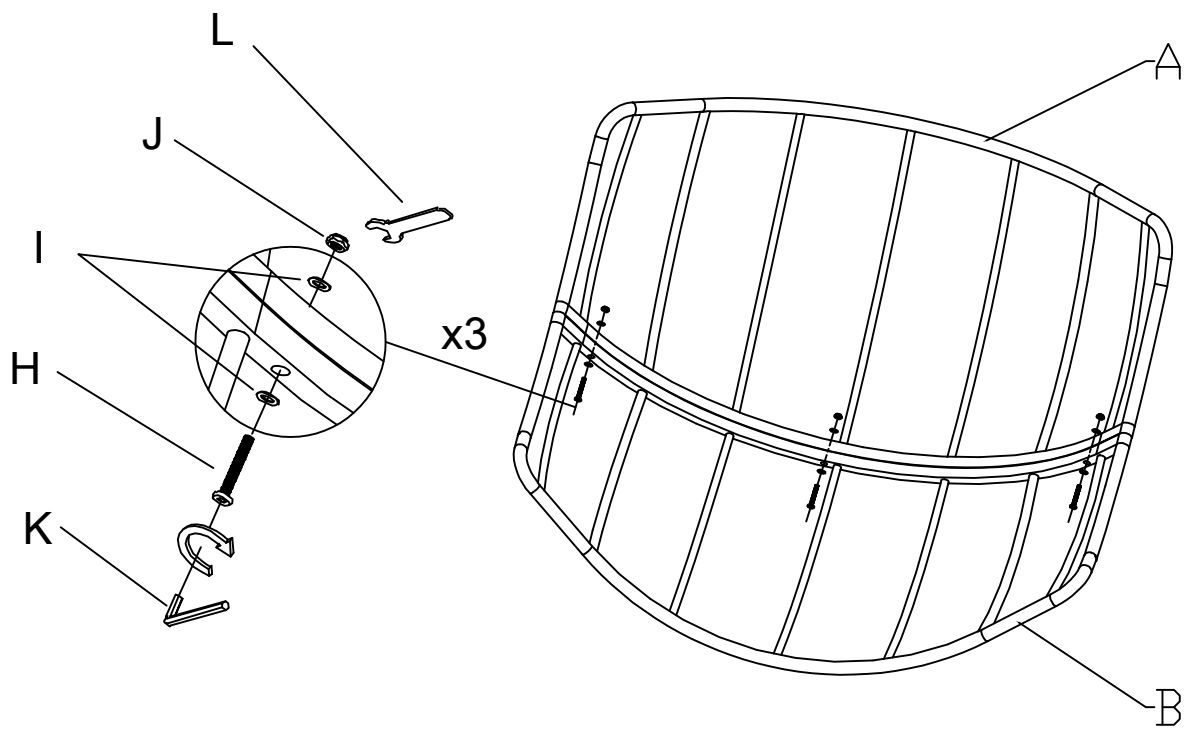
Rocking Chair-Elizabethan



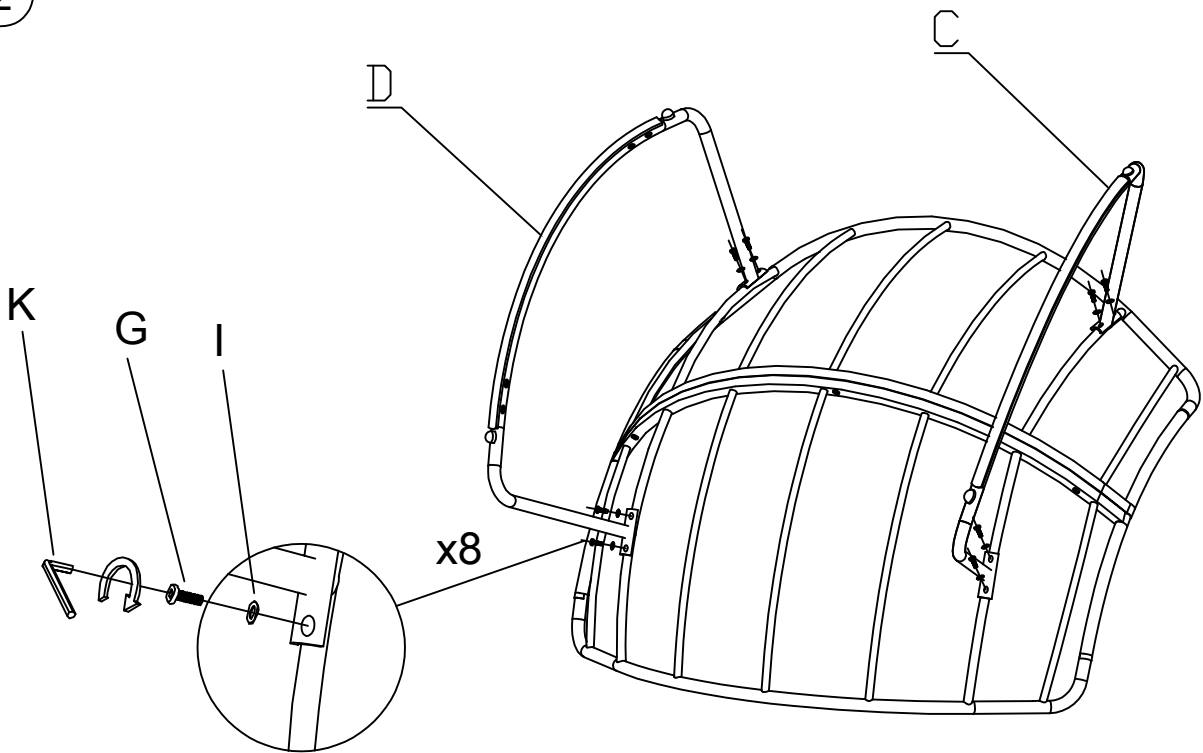


 <p>Ax1</p>	 <p>Bx1</p>	 <p>Cx1</p>	 <p>Dx1</p>
 <p>Ex2</p>	 <p>Fx1</p>	 <p>M6x15</p> <p>Gx16</p>	 <p>M6x50</p> <p>Hx3</p>
 <p>M6</p> <p>Ix22</p>	 <p>M6</p> <p>Jx3</p>	 <p>Kx1</p>	 <p>Lx1</p>

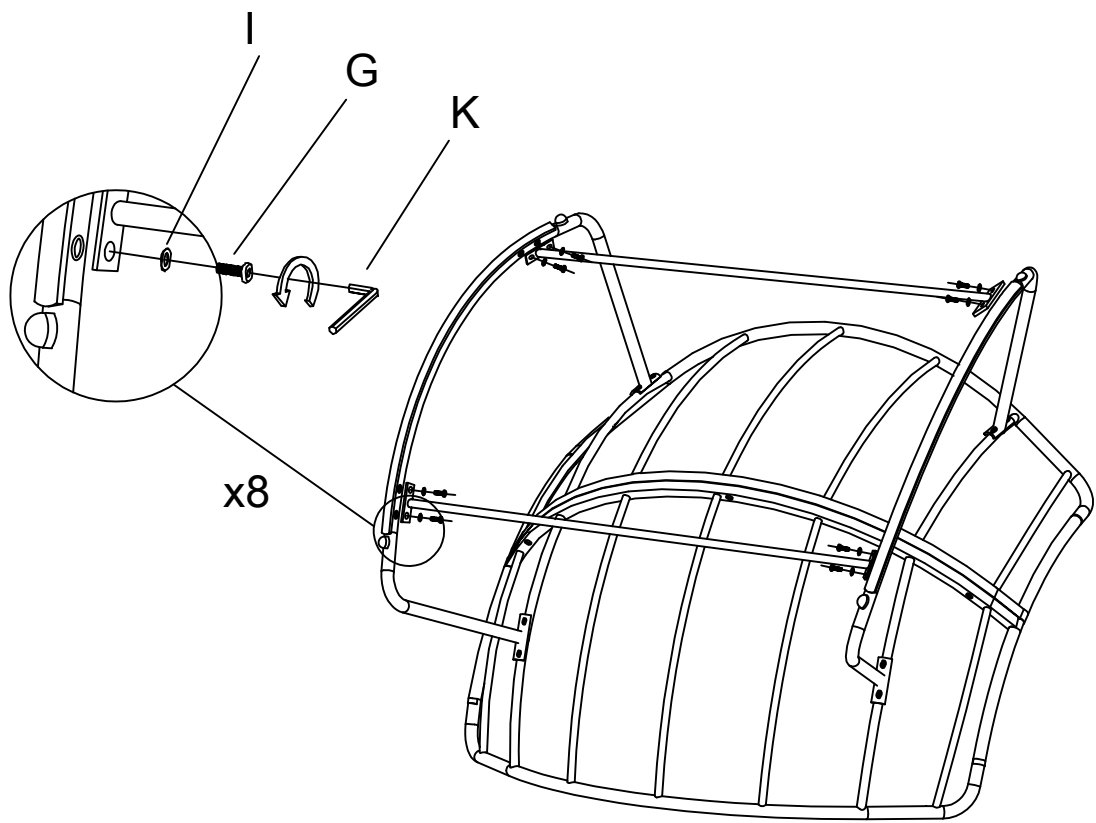
1



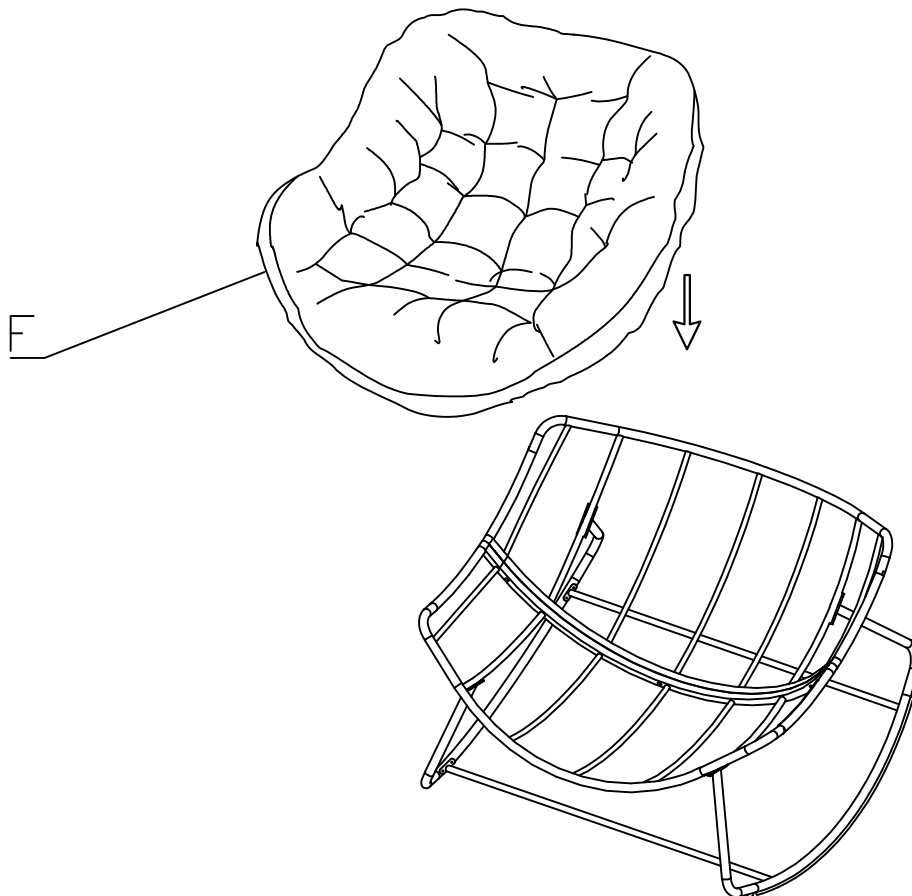
2



3



4



Cleaning & Storage

Cleaning

NOTICE!

Risk of damage!

Improper handling of the product may result in damage to the product.

- Do not use any aggressive cleaners, brushes with metal or nylon bristles, or sharp or metallic cleaning utensils such as knives, hard scrapers, and the like. They could damage the surfaces.
- Wipe clean the rattan/wicker with warm water and a damp cloth only, then let the rattan/wicker dry completely.
- Use a soft damp cloth to wipe off the product. A mild cleaning solution can be applied for stubborn dirt. Let all parts dry completely after cleaning.
- Regularly check the stability of all connections and retighten the screws when necessary. Loose screw connections may impair safety. There is a risk of injury.
- Do not clean the cushion cover through the washing machine and dryer.

Storage

NOTICE!

Risk of damage!

- Storing the product in a damp area will allow rust to form on the screws. This may permanently and irreparably damage the functionality or loadbearing capacity of the product.
- Avoid dust, water, moisture, frost, extreme temperature, high humidity, and direct sunlight.
- Please take the seat cushion & pillows indoors or put them in a water-proof storage box, cover the product with a waterproof cover when heavy or persistent rain or snow is forecast. However, make sure there is good ventilation around the product even if it is covered
- All parts must be completely dry before being stored
- Store the product so that it is not accessible to children.