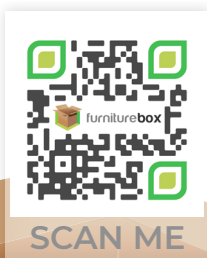
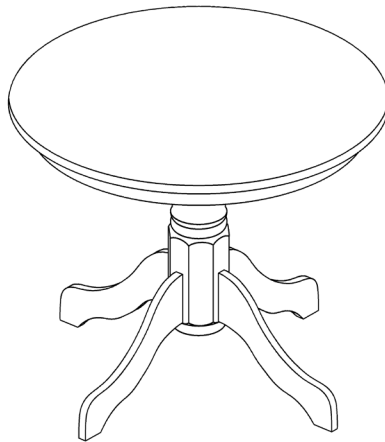


BUDE DINING TABLE

ASSEMBLY GUIDE



www.furniturebox.co.uk

Scan QR code for more tips,
and advice or visit
furniturebox.co.uk/club/general-club-page



Important - Please read these instructions fully before starting assembly



**SAFETY AND
CARE ADVICE**



NO POWER TOOLS

SAFETY AND CARE ADVICE

- Check you have all the components and tools listed.
- Remove all fittings from the plastic bags and separate them into their groups.
- We do not recommend the use of power drills/drivers for inserting screws, as this could damage the unit. Only use hand screwdrivers and Allen keys.
- Keep children and animals away from the work area, small parts could cause choking if swallowed.
- Make sure you have enough space to lay out the parts before starting.
- Assemble the item as close to its final position (in the same room) as possible.
- Do not overtighten the nuts to avoid causing damage to the threads.
- Only clean using a damp cloth and mild detergent, do not use bleach or abrasive cleaners.
- From time to time check that there are no loose screws on this unit
- This product should not be discarded with household waste. Take to your local authority waste disposal centre



IMPORTANT INFORMATION



30 MINUTE
BUILD



TWO
PERSON







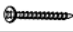



MAXIMUM
CAPACITY
120Kg

PLEASE CHECK CAREFULLY AND MAKE SURE YOU HAVE ALL FITTINGS AND TOOLS LISTED BELOW BEFORE YOU START.

LIST OF PARTS

No	Description	Qty
1	Table Support	2 PCS
2	Pedestal	1 PC
3	Pedestal Legs	4 PCS
4	Table Top	1 PC

HARDWARE LIST

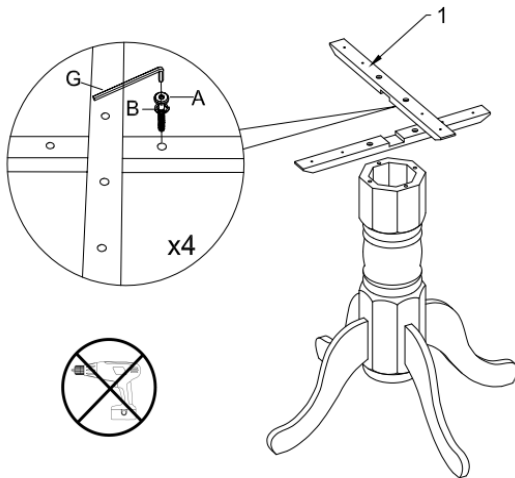
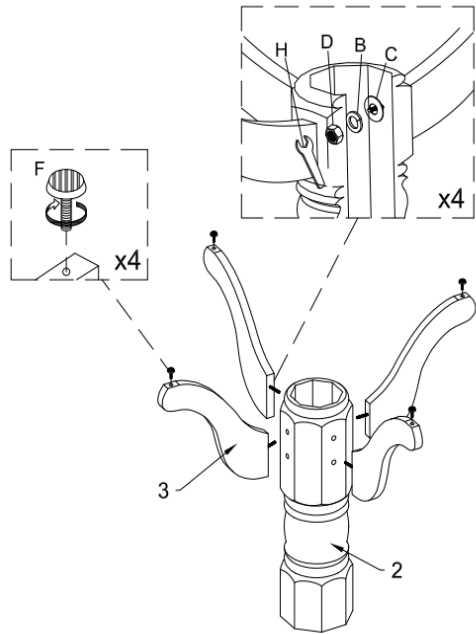
No	Description	Qty
A	JCBC BOLT 	4 PCS
B	Spring Washer 	8 PCS
C	Flat Washer 	4 PCS
D	Hex Nut 	4 PCS
E	Wood Screw 	8 PCS
F	Height Adjuster 	4 PCS
G	Allen Key 	1 PC
H	Hex Wrench 	1 PC

STEP 1

Use a clean, flat, soft surface to avoid any bumps or scratches.

Slot the pre attached bolts on 4 x pedestal legs [3] into the pre drilled holes on the pedestal [2].
Secure using 4 x flat washer [C], 4 x spring washer [B] and 4 x hex nut [D]. Tighten using hex wrench [H].

Insert 4 x height adjuster feet [F] into the pre drilled holes at the end of each pedestal leg [3]



STEP 2

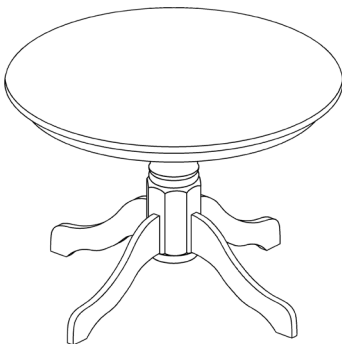
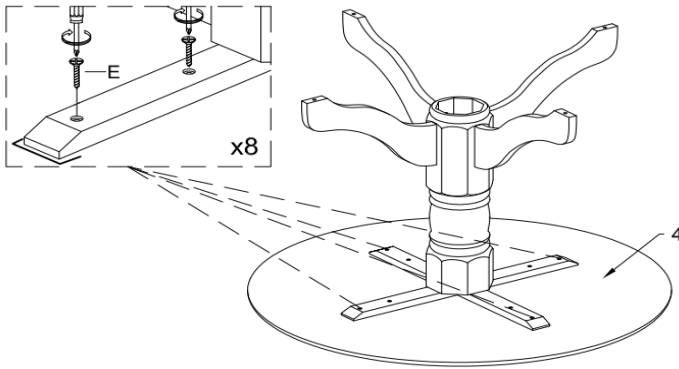
Carefully turn the pedestal base onto the legs.

Slot 2 x table supports [1] diagonally across each other and align with the holes on the pedestal [2].
Secure using 4 x spring washer [B] and 4 x bolt [A].
Tighten using allen key [G]

STEP 3

Place the table top [4] upside down on a flat surface.

Carefully, and with help, place the pedestal base upside down onto the table top [4], ensuring the holes align with the table supports [1]. Secure using 8 x wood screw [E] and tighten with a screwdriver.



STEP 4

Carefully, and with help, flip the table upright on to the legs.
Check the stability.

Your Dining table is now ready to use!



furniturebox



WE **L**♥**VE** INTERIORS! SHARE YOURS WITH US ON SOCIAL MEDIA

1. follow us on Instagram
2. post your interior
3. tag us to be featured



@furnitureboxUK



@furniturebox_uk



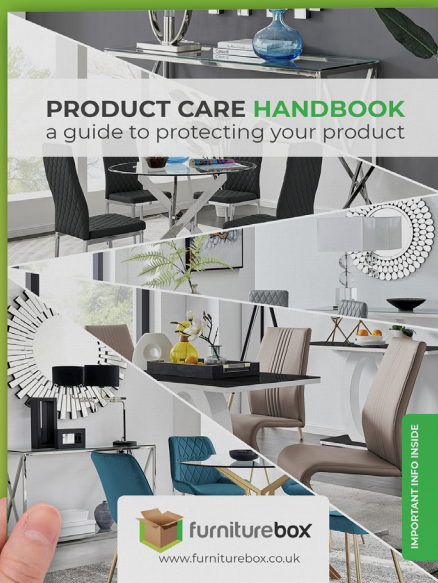
@furnitureboxuk



Follow us on Instagram
@furniturebox_uk

LOOKING GOOD!

Now you've assembled your product find out how to care for your item and keep it looking brand new.



Look for your care guide in the box or visit:
www.furniturebox.co.uk/club/care-guide



OUR 2 YEAR GUARANTEE

our products come with a 2 year guarantee to give you peace of mind shopping at Furniturebox
some garden furniture items have a 1 year guarantee



WHAT THE GUARANTEE COVERS



PRE-INSERTED FIXINGS
e.g. loose metal threads



FAULTY JOINTS
e.g. legs bending



EXTERNAL FIXING FAULTS
e.g. metal discs removing from table top



STRUCTURAL INTEGRITY
e.g. the frame of the product



ACTIVATE YOUR GUARANTEE ONLINE

scan this QR code with your phone to read the full guarantee online and register your product. It only takes a moment to fill out. Or visit: furniturebox.co.uk/our-guarantee

Furniturebox UK, Unit 6 St Modwen's Park,
Chippenham, SN15 5BD
Tel: 01747 863333 Email: sales@furniturebox.co.uk