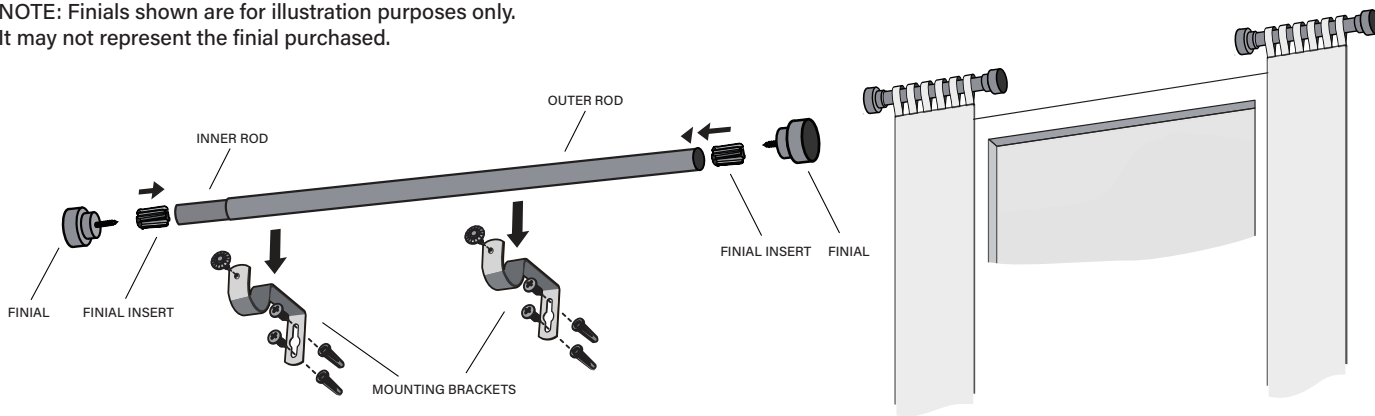
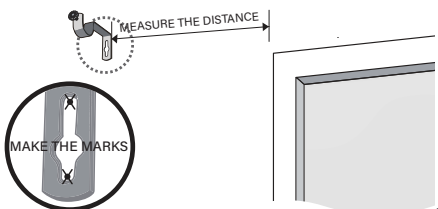


INSTALLATION INSTRUCTIONS FOR SIDE CURTAIN RODS

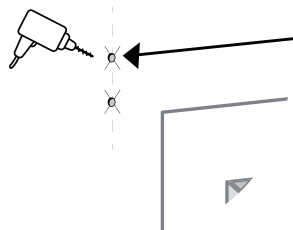
NOTE: Finials shown are for illustration purposes only. It may not represent the finial purchased.



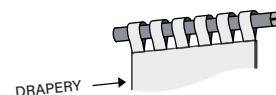
1 Mark the location. Place a bracket against the wall at the desired location. Mark the screw holes with a pencil. Repeat for all of the brackets.



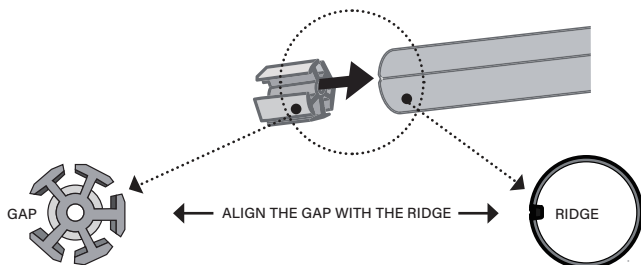
2 Mount the brackets. If screwing into wood trim or wall studs, drill a 1/8" pilot hole at the marks. If screwing into drywall, follow the drywall anchor instruction at the bottom of the page.



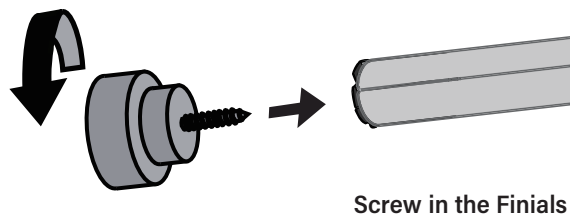
3 Attach the drapery. Attach the drapery before mounting the curtain rod. Some draperies may require separate attachment kit, which is NOT INCLUDED with this curtain rod.



4 SKIP THIS STEP IF THE INSERTS ARE ALREADY IN THE CURTAIN ROD. Insert the Finial Inserts. Push the corresponding insert into each end of the curtain rod with the tapered side going into the rod and the flat side facing out. Make sure the gap on the inserts aligns with the ridge on the inner surface of the rod.

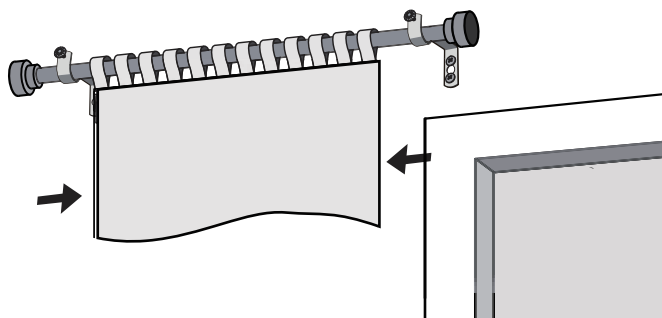


5 Screw the finials into the FINIAL INSERTS.

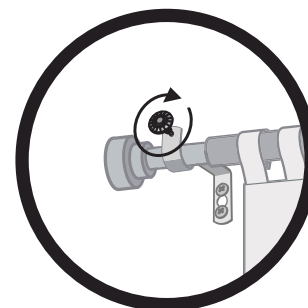


Screw in the Finials

6 Extend the rod to the desired width. Place the rod with the drapery onto the brackets. Ensure to secure one bracket on the inner rod and other on the outer rod to prevent the rod from moving when drawing the draperies.



7 Secure the curtain rod in place by tightening the leveling screw until finger tight. Adjust the draperies to the desired position.



DRYWALL ANCHOR INSTALLATION



If screws are going directly into wood trim or wall studs - drill 1/8" (3mm) holes and install screws through bracket. If screws are going into hollow wall - drill 3/16" (5mm) holes and push or lightly hammer plastic anchors into holes. Then install screws through brackets. Do not tighten screws too much - just snug is best.