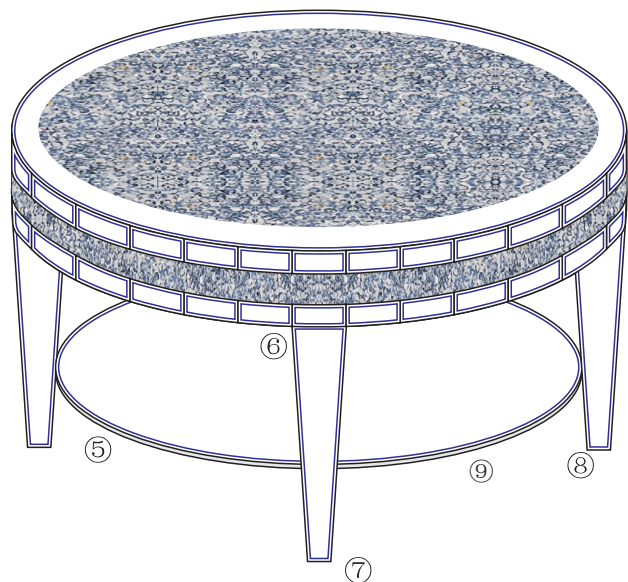
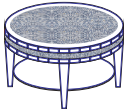







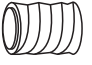


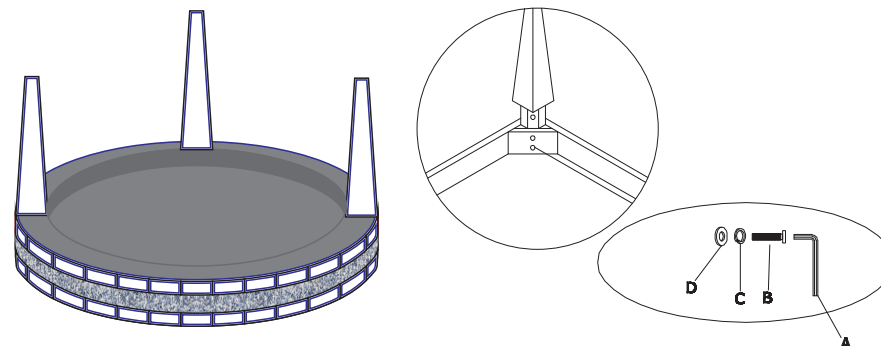
ASSEMBLY INSTRUCTION :



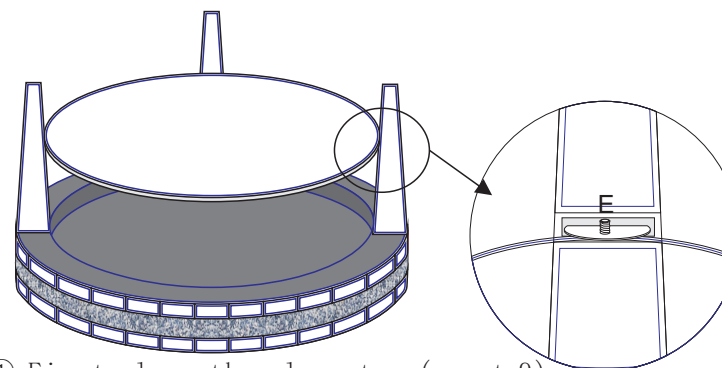
ASSEMBLY COMPONENTS

①  x1	⑤ ⑥  ⑦ ⑧ 	⑨  x1	Ⓐ  x1
Ⓑ  x8	Ⓒ  x8	Ⓓ  x8	Ⓔ  x4

Step 1

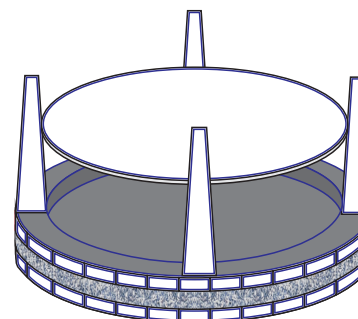


Step 2



- ① First place the glass top (part 9)
- ② Tighten the screw E

Step 3



Please tighten all screws after installation