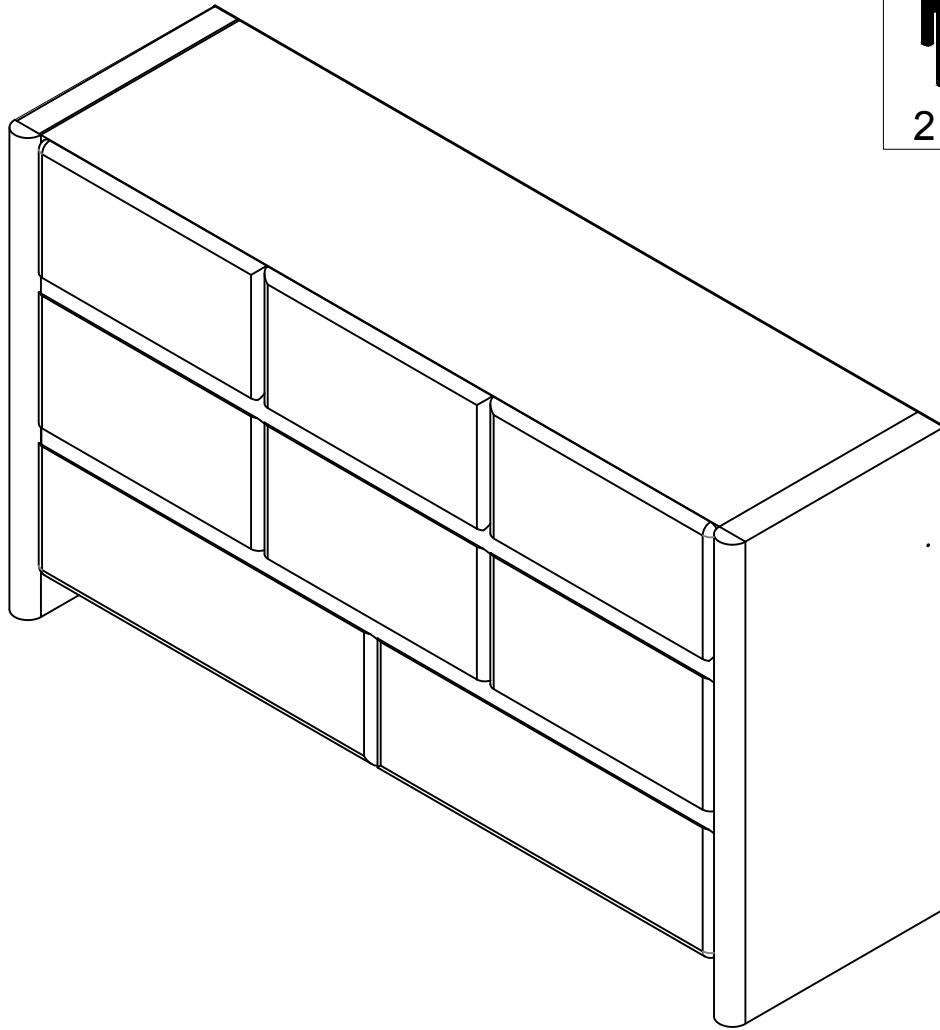
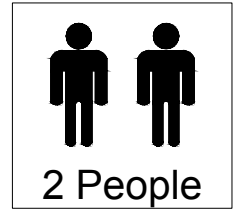
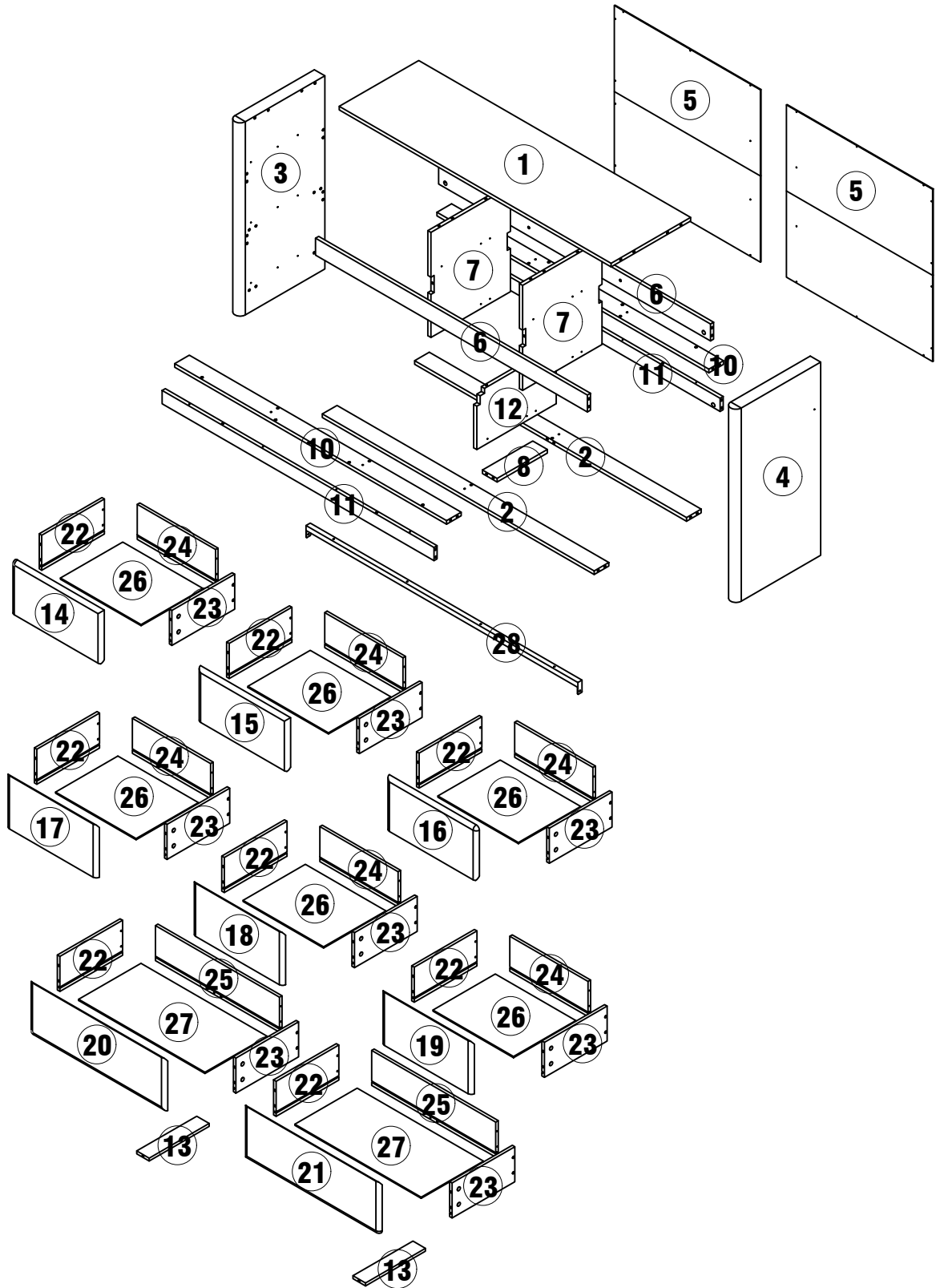


ASSEMBLY INSTRUCTIONS




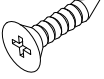
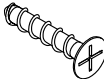
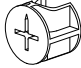


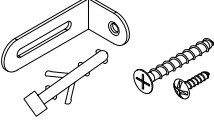
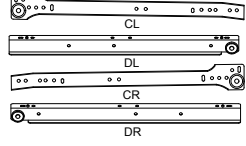
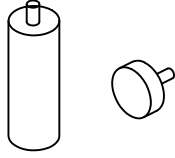
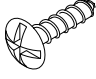
PACKAGE INCLUDE



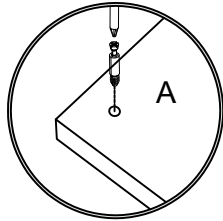
PACKAGE INCLUDE

CODE	DESCRIPTION	QTY
1	Top Panel	1
2	Bottom Plate	2
3	Left Side Panel	1
4	Right Side Panel	1
5	Backboard	2
6	Pull-up Bar	2
7	Upper Middle Vertical Board	2
8	Bottom Connection Plate	1
L	Support Feet That Can Be Adapted	1
10	Middle Pull Strip	2
11	Middle Reinforcement Strip	2
12	Lower Middle Vertical Board	1
13	Drawer Bottom Strip	2
14	Draw The Panel On The Left	1
15	Upper And Middle Pumping Panel	1
16	Up And Right Pull The Panel	1
17	Middle Left Suction Panel	1
18	Medium Suction Panel	1
19	Middle Right Pull Panel	1
20	Lower Left Pull Panel	1
21	Pull The Panel Down To The Right	1
22	Drawer Left Side Panel	8
23	Drawer Right Side Panel	8
24	Upper Pull Back Plate	6
25	Draw The Back Plate	2
26	Pull The Bottom Plate	6
27	Pull Down The Bottom Plate	2
28	Lron Pipe	1

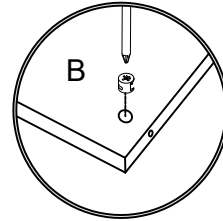
PACKAGE CONTENT

<p>Ø8X30MM</p>  <p>A 34X+1</p>	<p>Ø3X11MM</p>  <p>B 96X+2</p>	<p>Ø4X35MM</p>  <p>C 54X+2</p>	<p>Ø15X10MM</p>  <p>D 68X+2</p>
<p>Ø3.5X12MM</p>  <p>F 24X+1</p>	 <p>G 68X+2</p>	 <p>H 2X</p>	 <p>K 8X</p>
 <p>L 1X</p>	 <p>M 2X</p>		

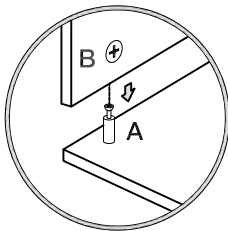
How to use the cam lock system



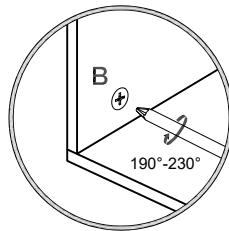
1. Screw cam bolt into panel



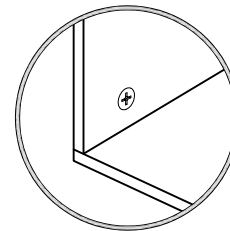
2. Push cam into panel - arrow feature on cam top points to panel edge



3. Align cam bolt(s) with cam(s) and insert all the way into cross-bored hole(s)

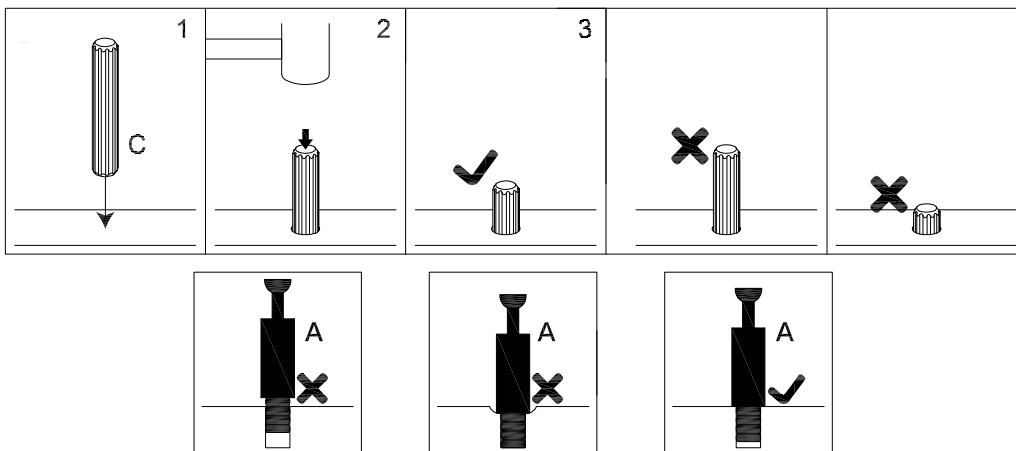


4. Rotate cam(s) clockwise 190°-230° to lock panels together



5. Panels should be tight against each other and connection should be rigid

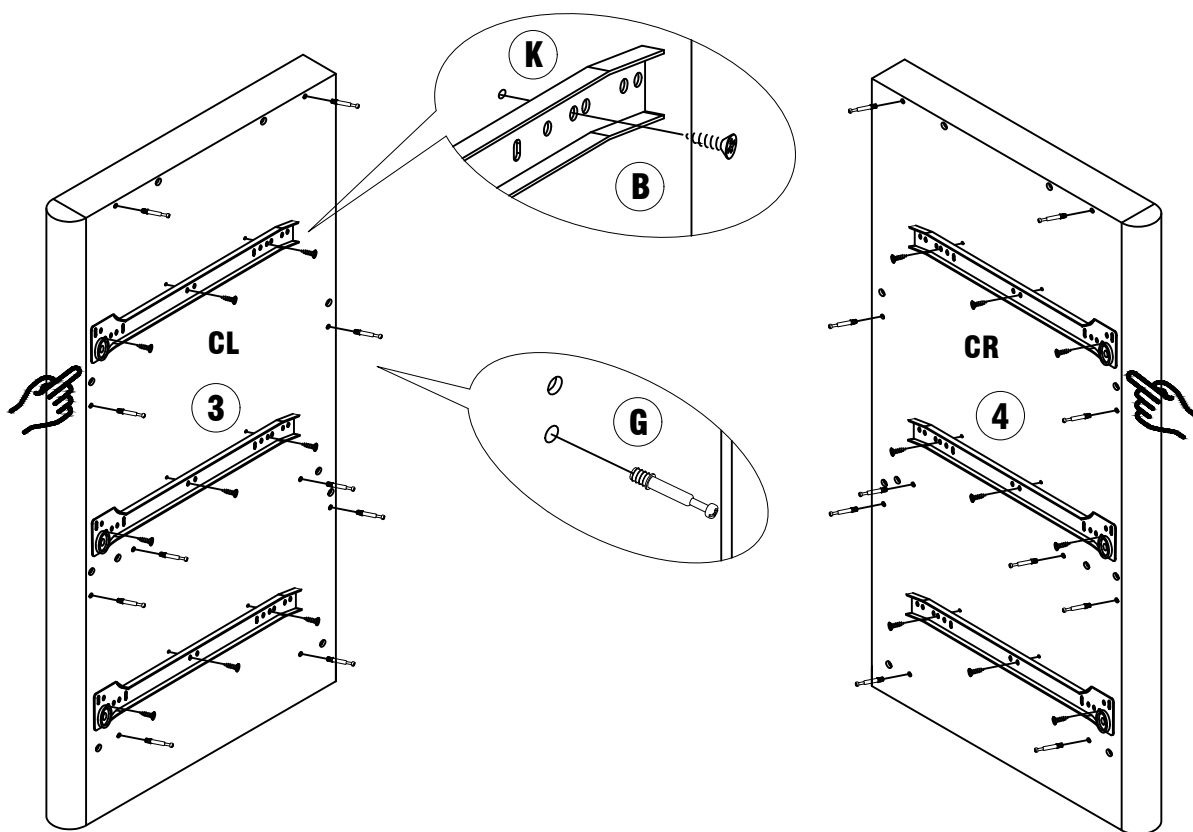
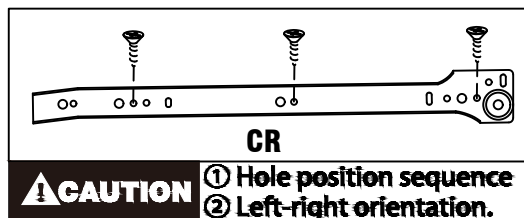
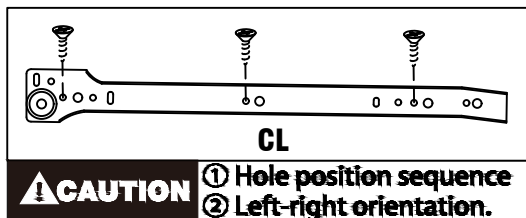
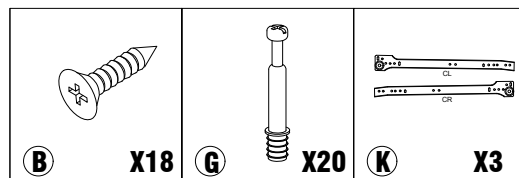
Insert the wood dowel [C] at least half way by tapping lightly with a rubber mallet, IF NECESSARY.



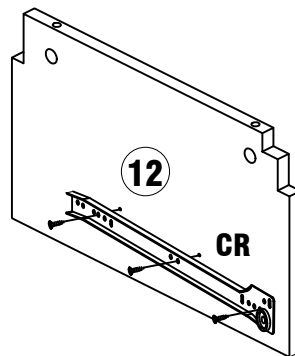
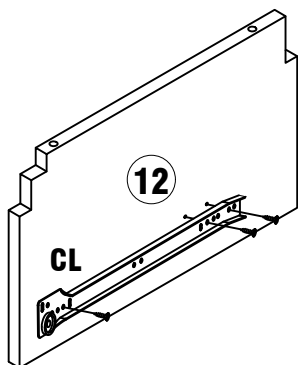
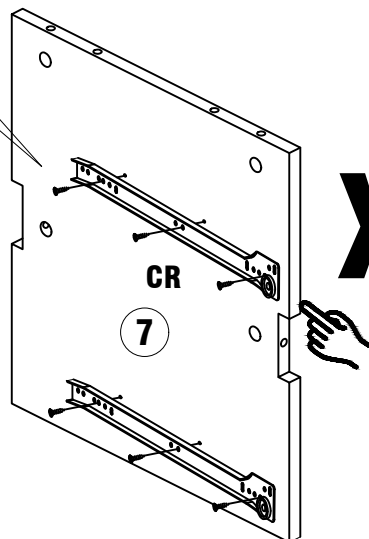
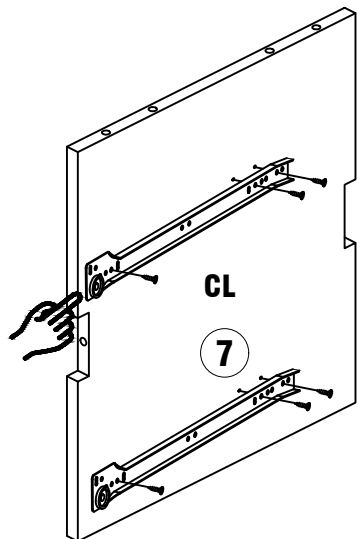
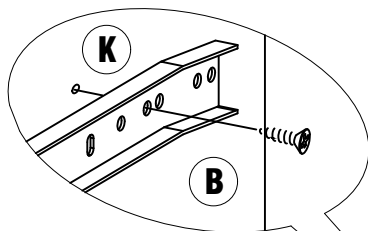
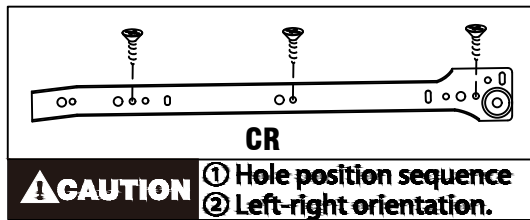
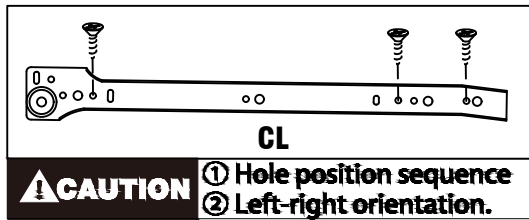
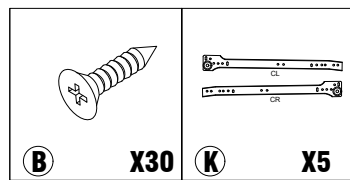
⚠ WARNING

- Unit must be placed on a level surface or leveled with included hardware (when applicable).
- Do not sit or stand on or allow children to climb, sit or stand on the assembled product.
- For safety reasons, it is imperative that this unit be mounted to the wall.
- Do not use without installing the tip restraint.
- Unit can tip over causing severe injury or death.
- Do not exceed the recommended weight limits.
- Evenly distribute the weight on each level and always keep the heavier loads on the bottom.
- Before cutting, drilling or hammering into any wall or floor surface, verify the location of electrical, plumbing and gas lines. Cutting may cause serious injury.

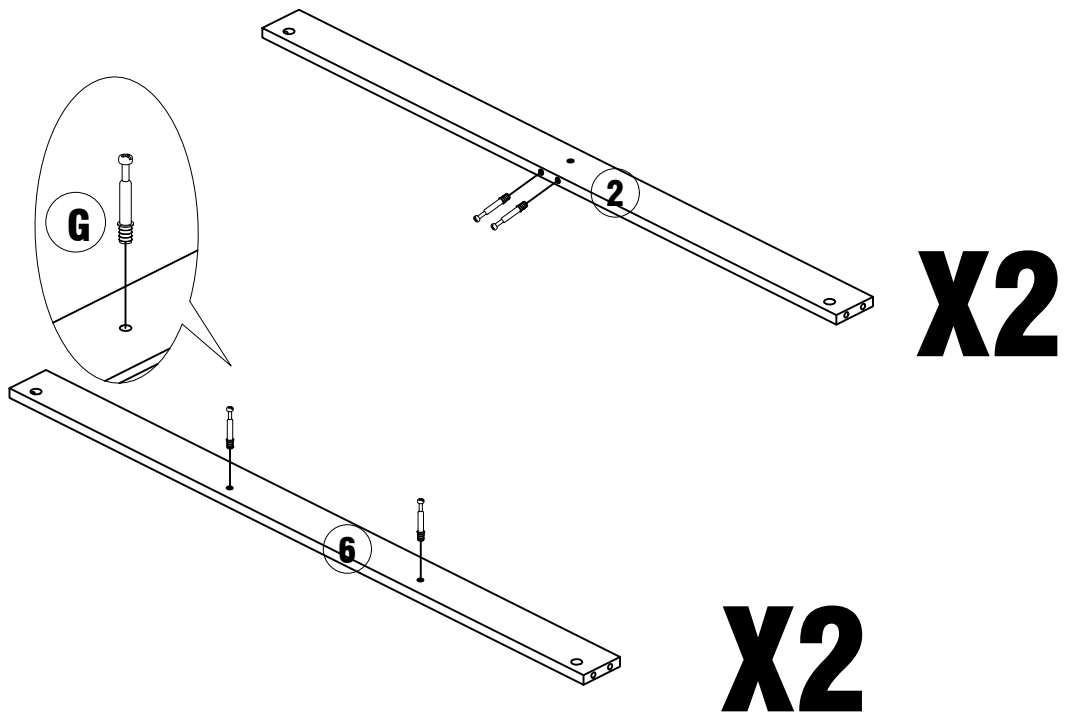
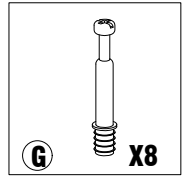
STEP 1



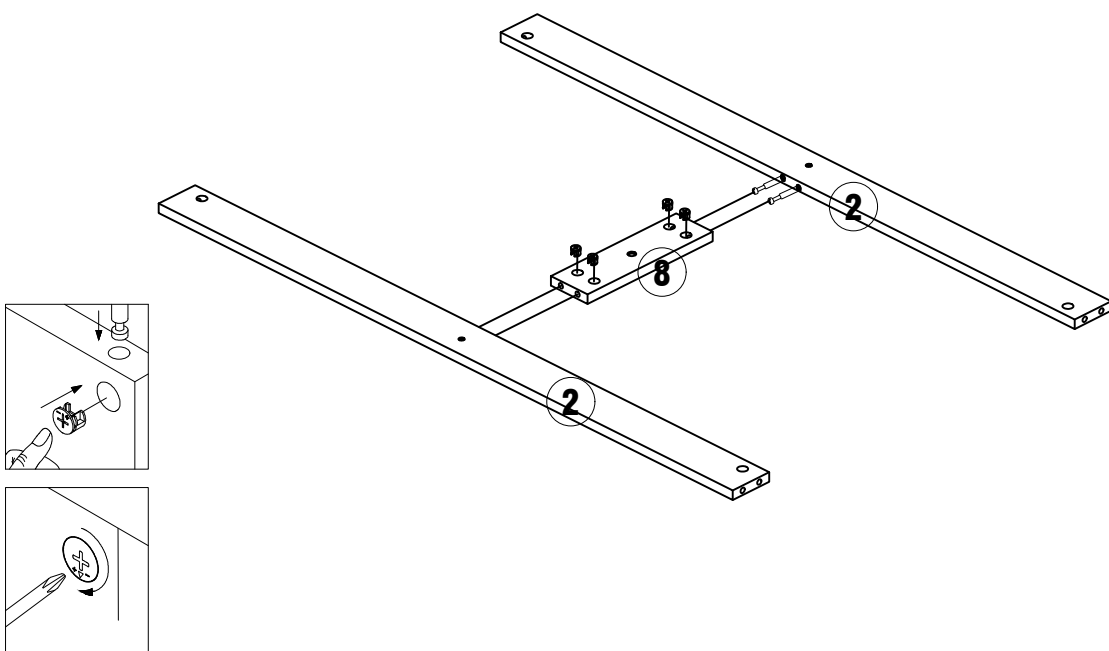
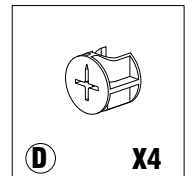
STEP 2



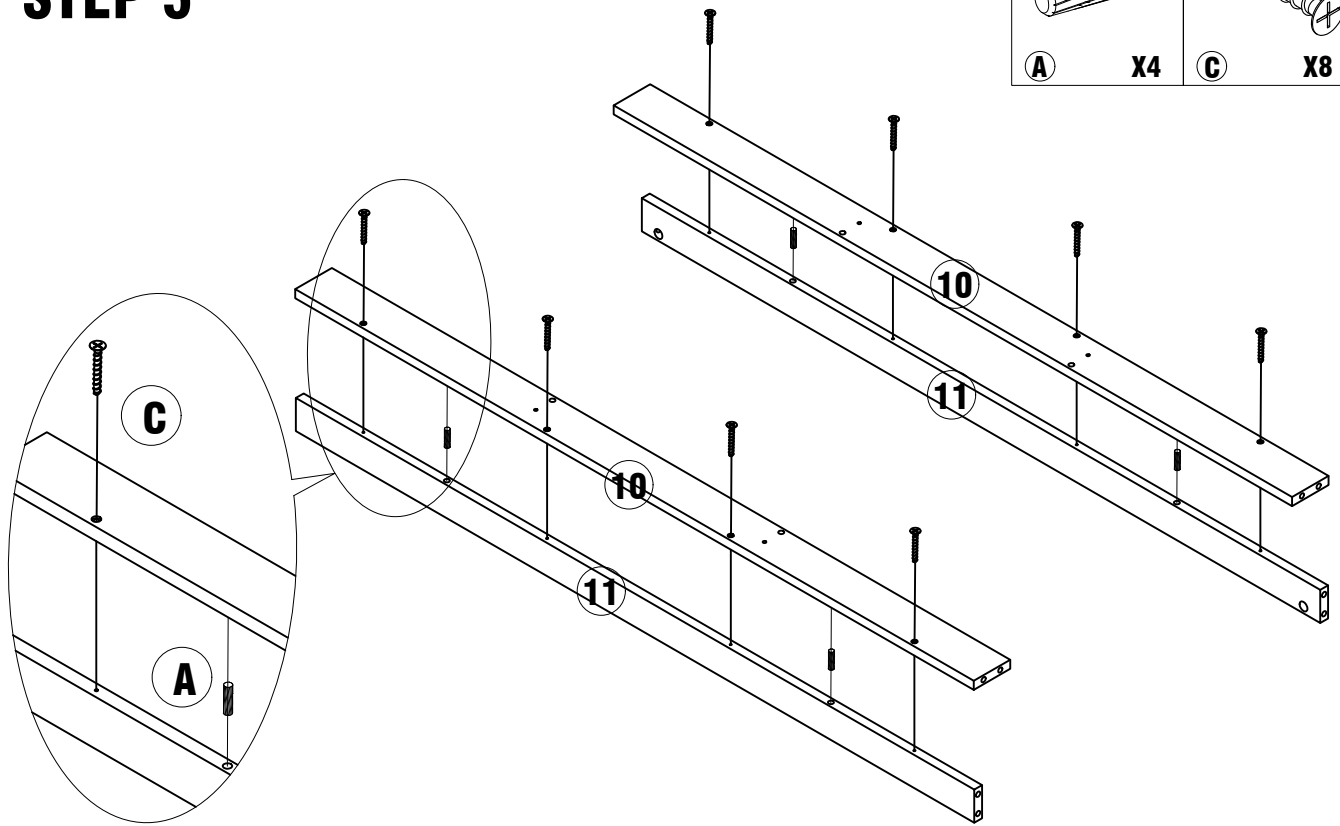
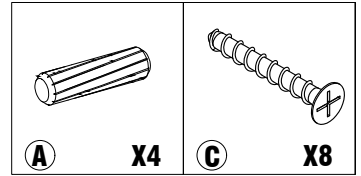
STEP 3



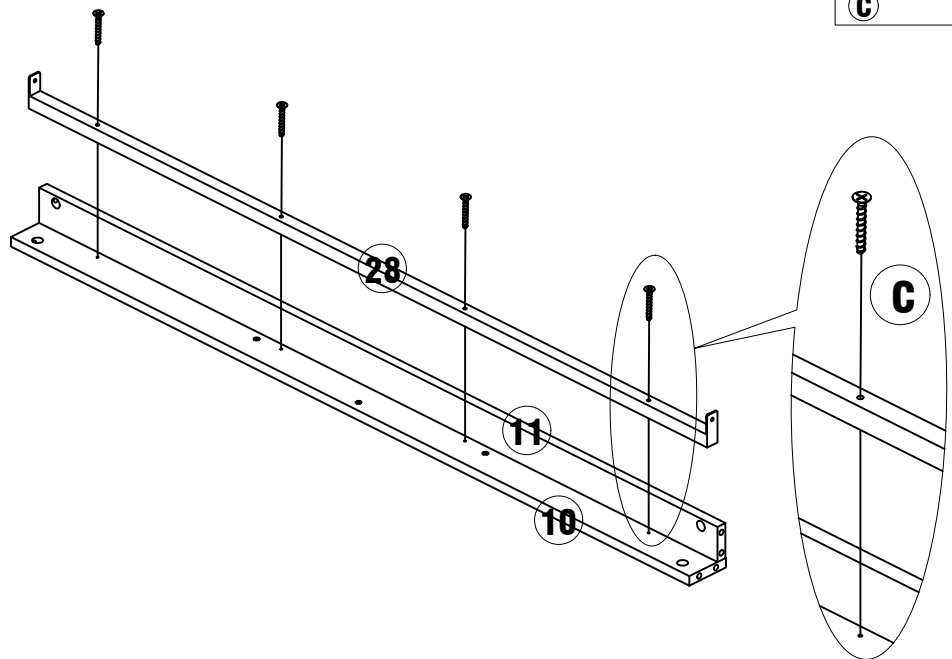
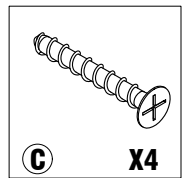
STEP 4



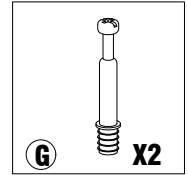
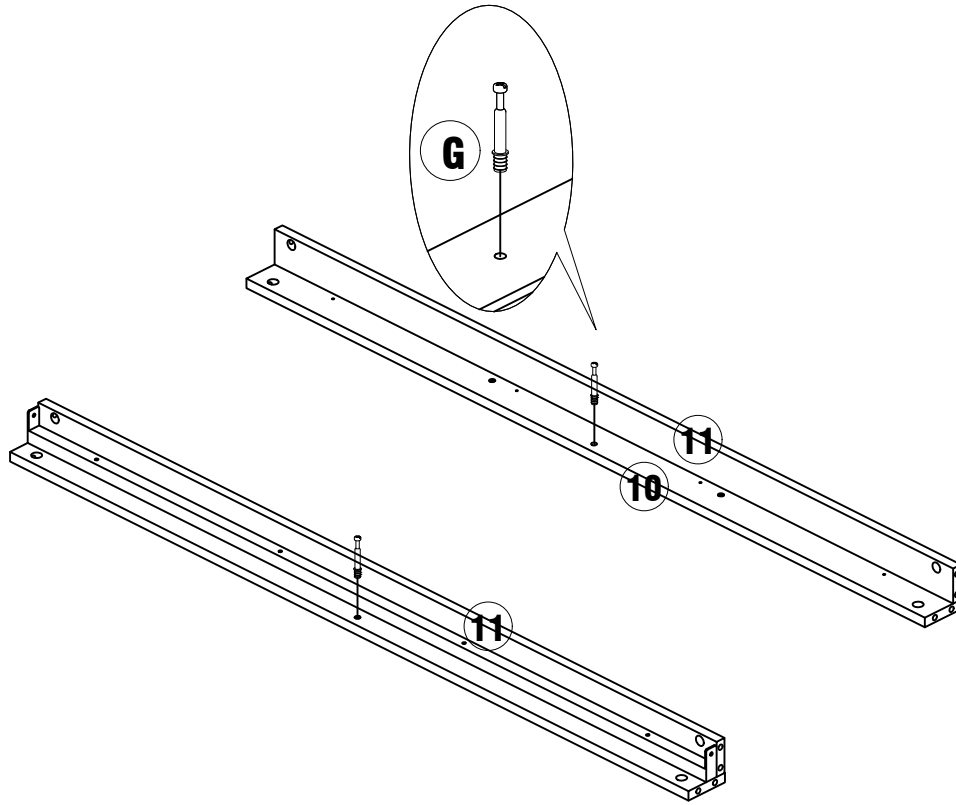
STEP 5



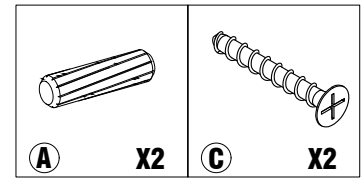
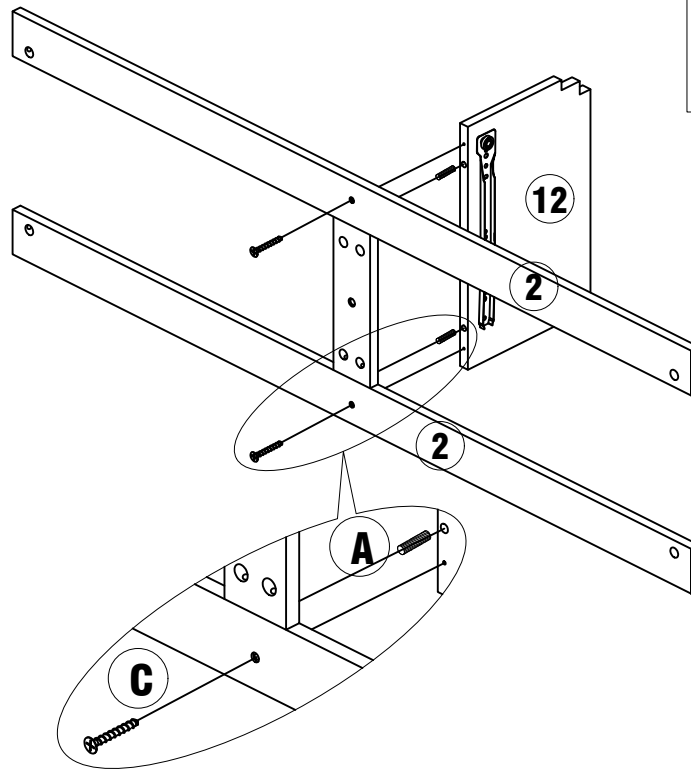
STEP 6



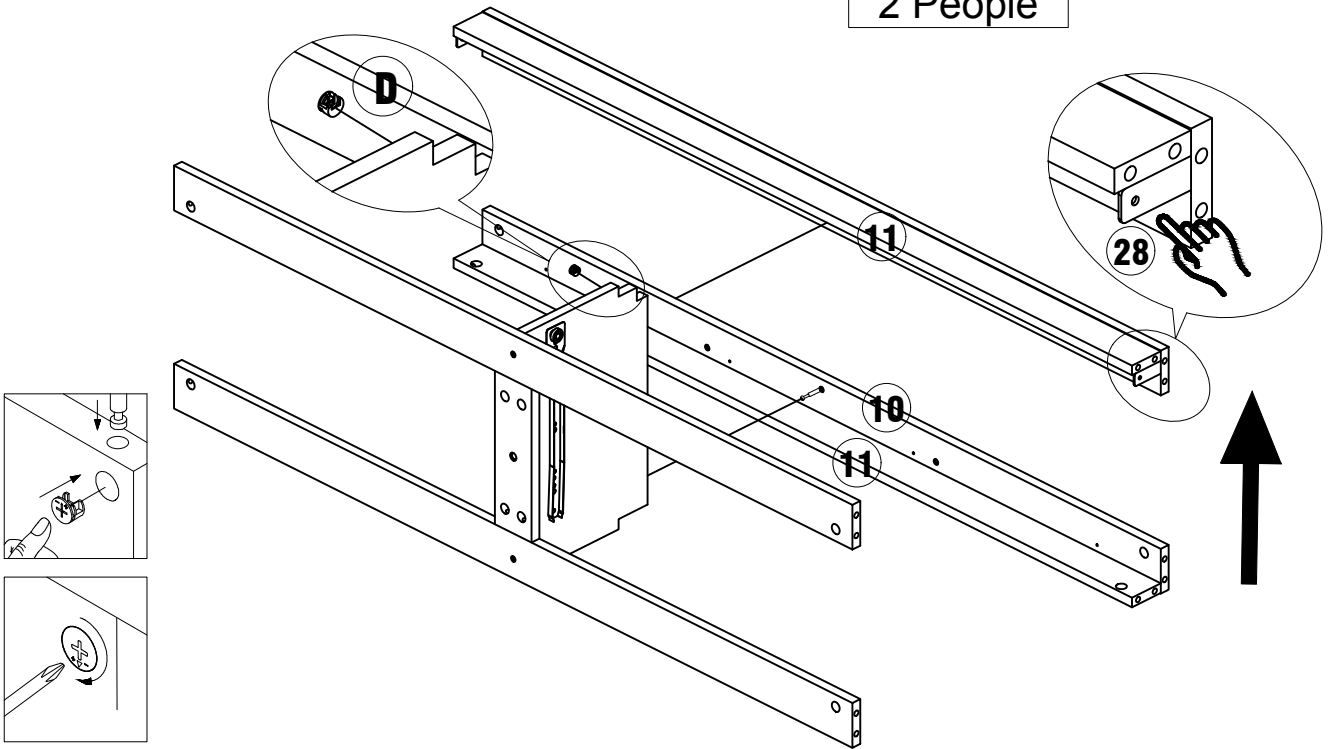
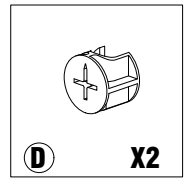
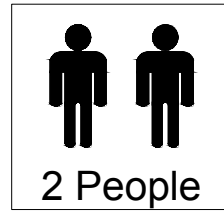
STEP 7



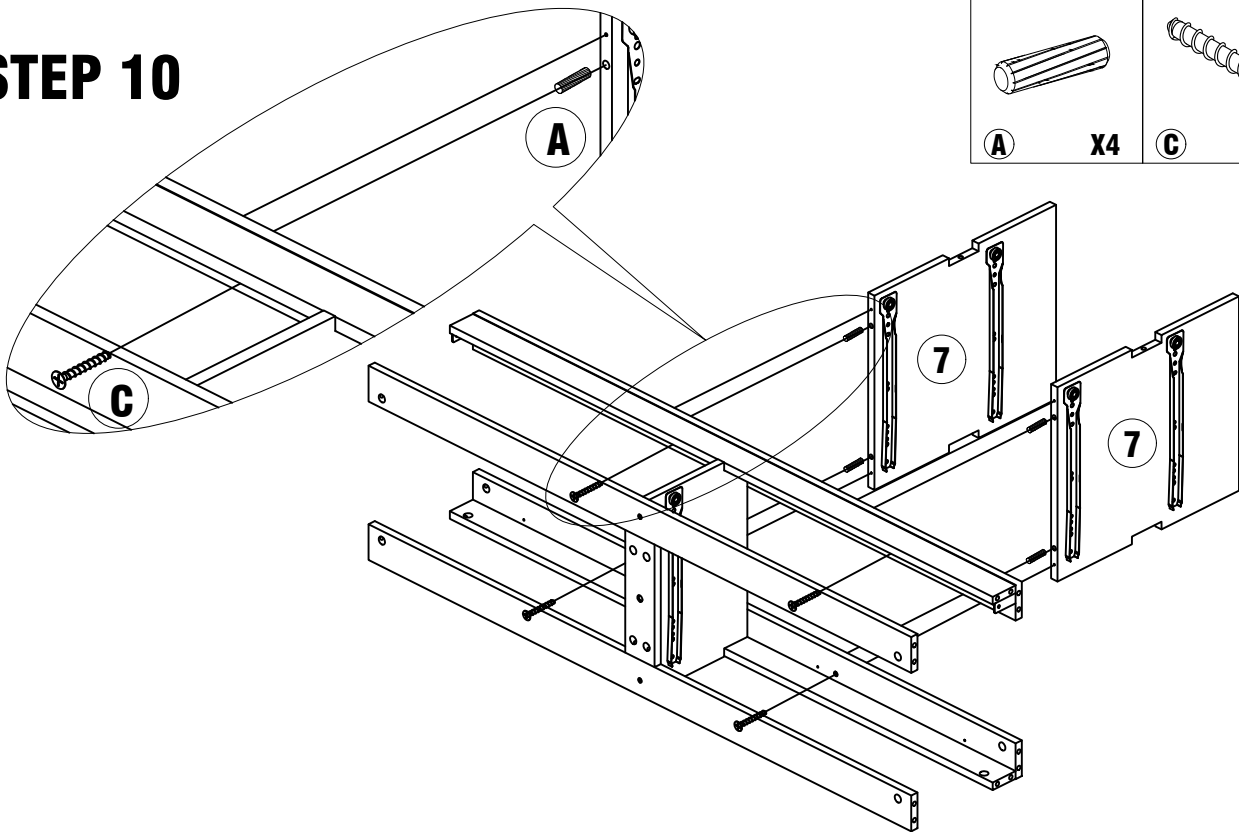
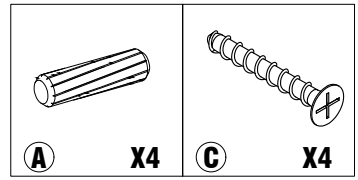
STEP 8



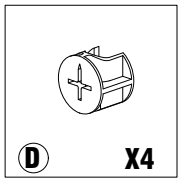
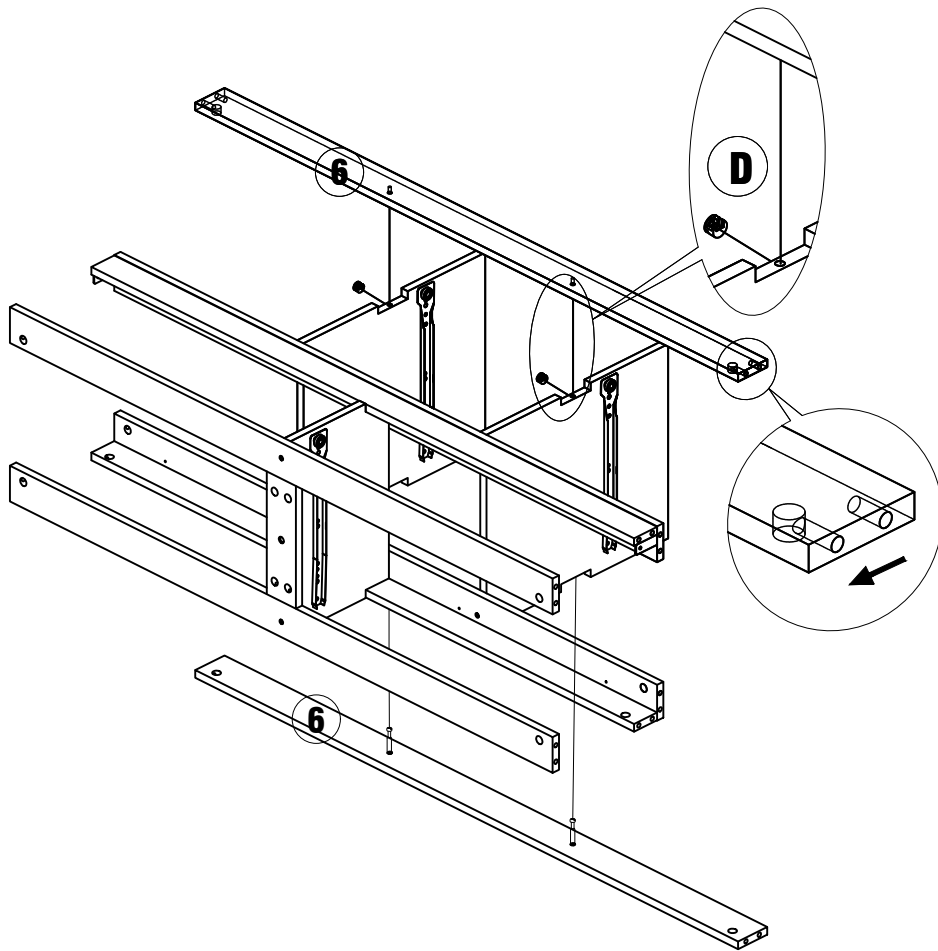
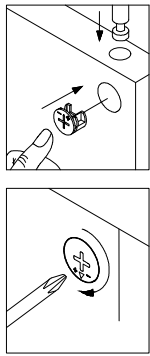
STEP 9



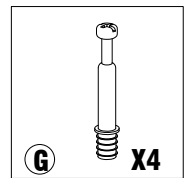
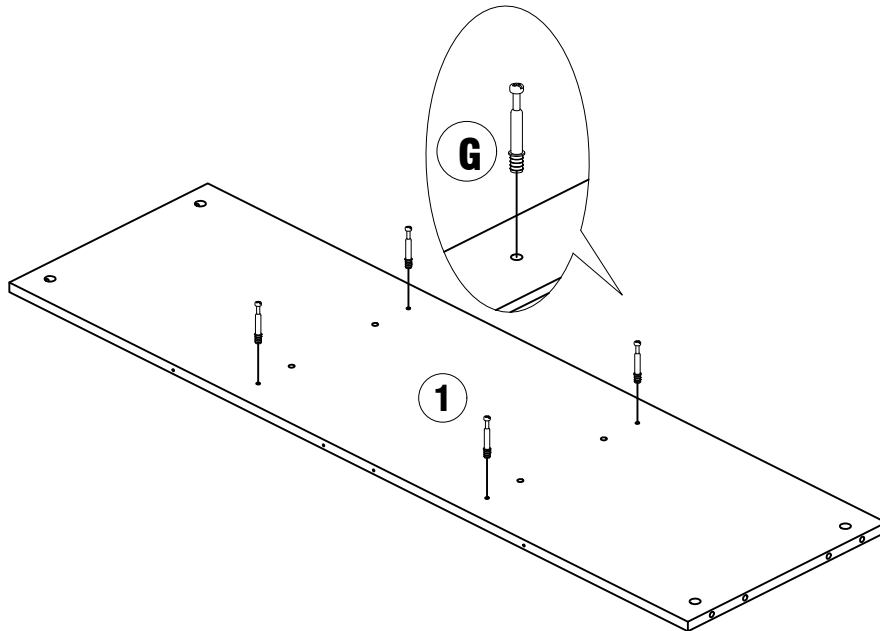
STEP 10



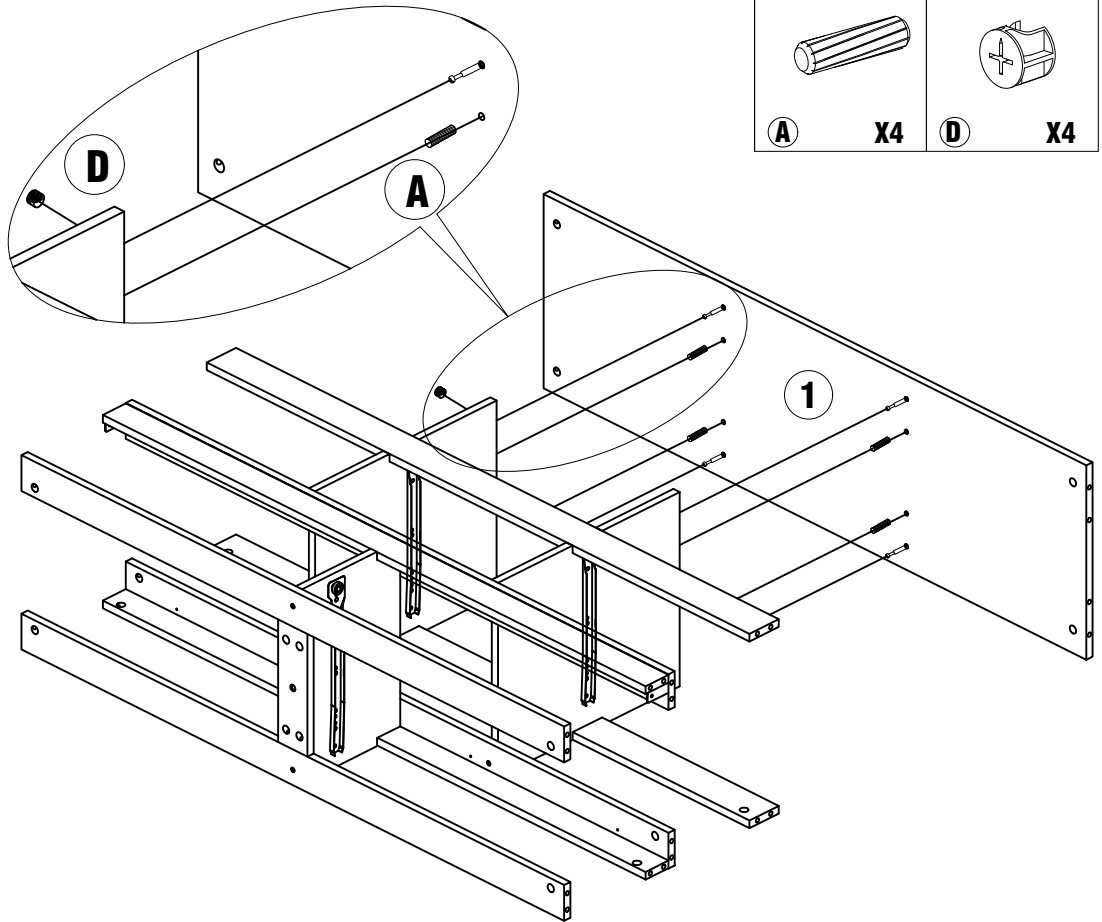
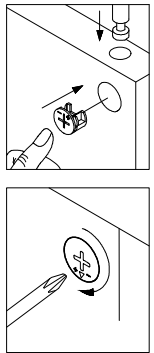
STEP 11



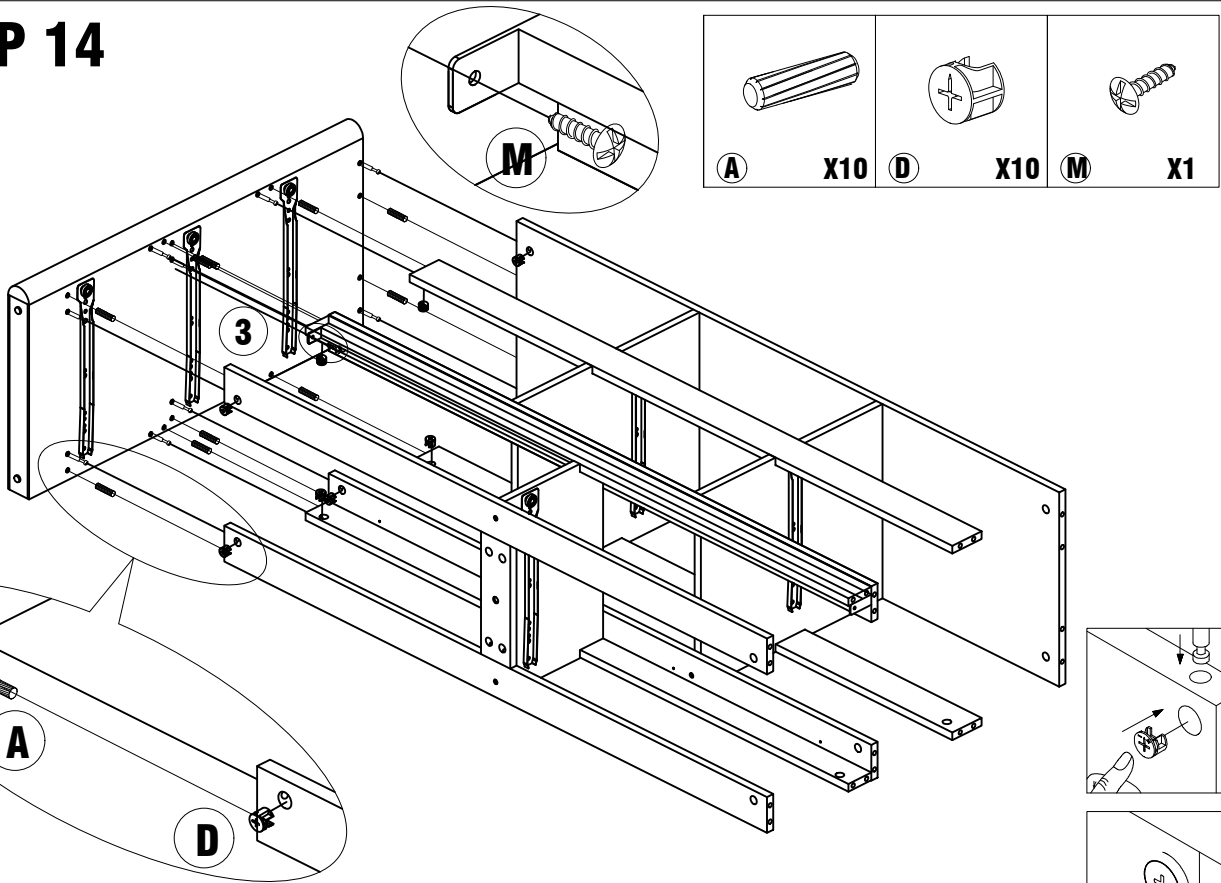
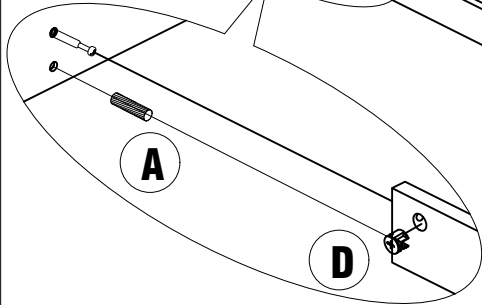
STEP 12



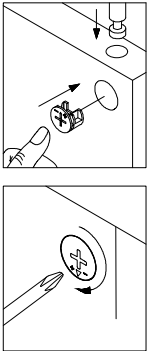
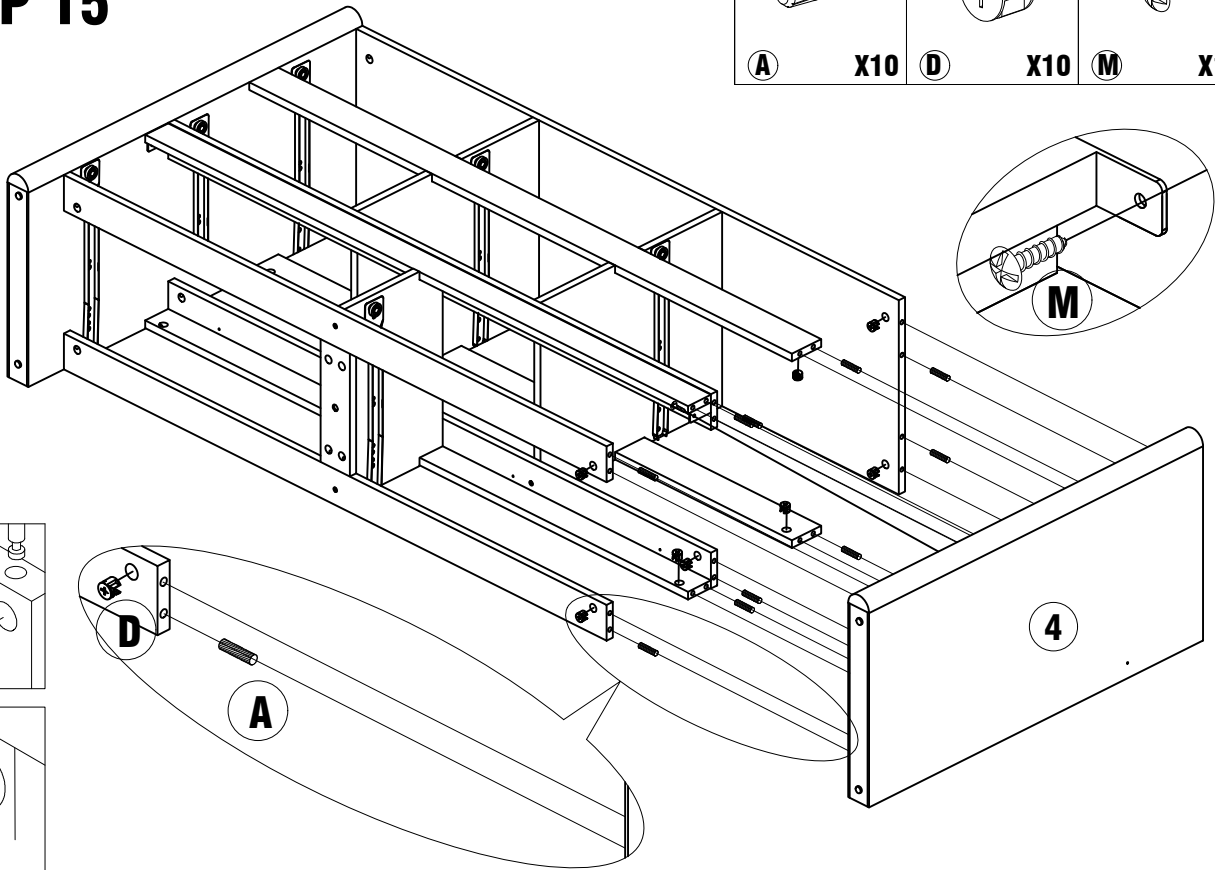
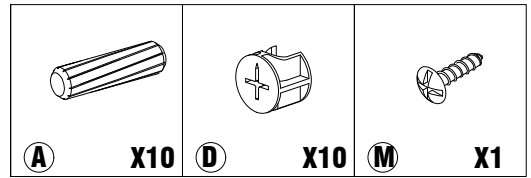
STEP 13



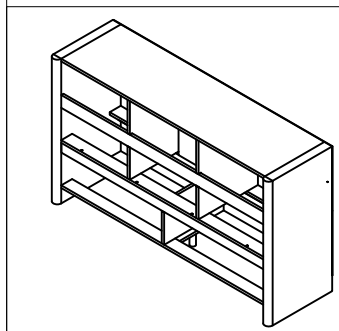
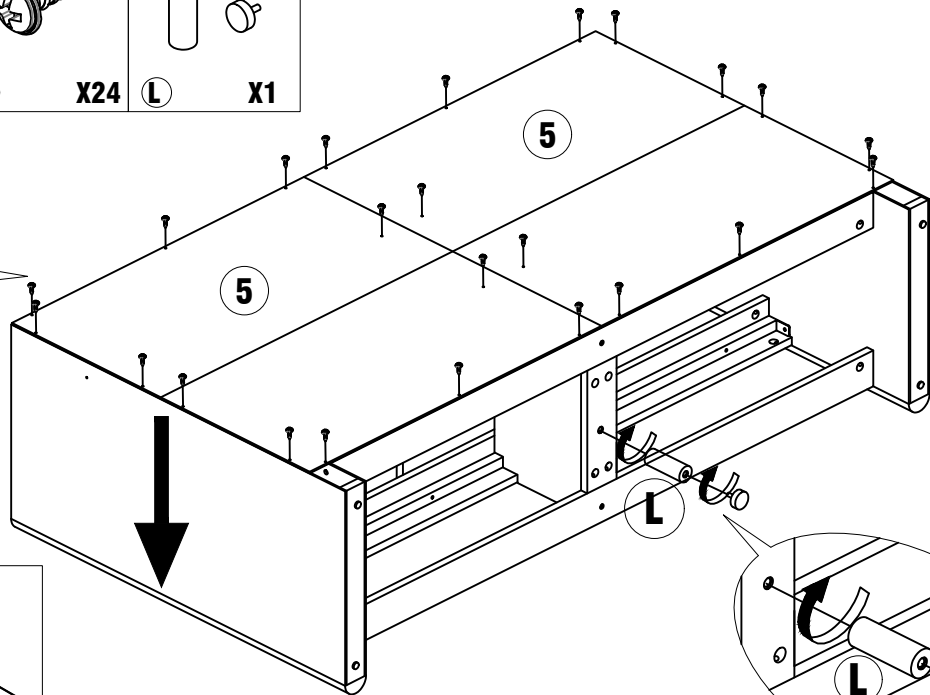
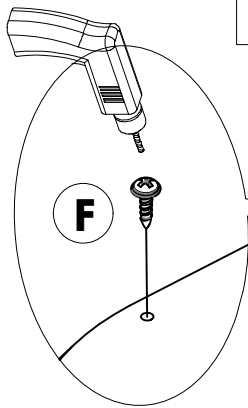
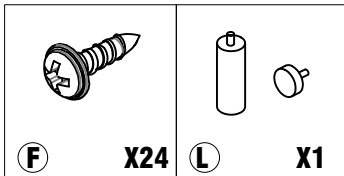
STEP 14



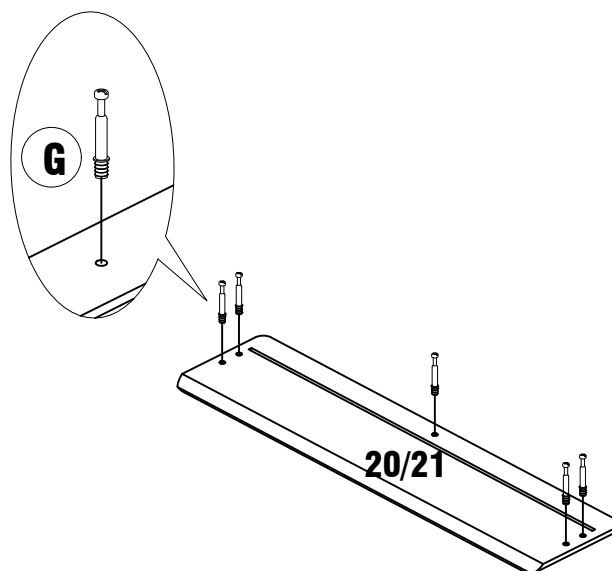
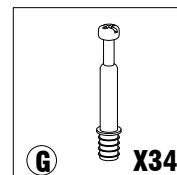
STEP 15



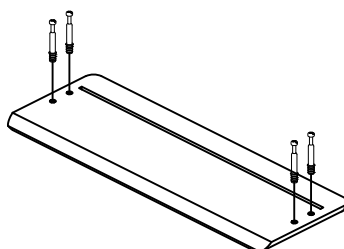
STEP 16



STEP 17

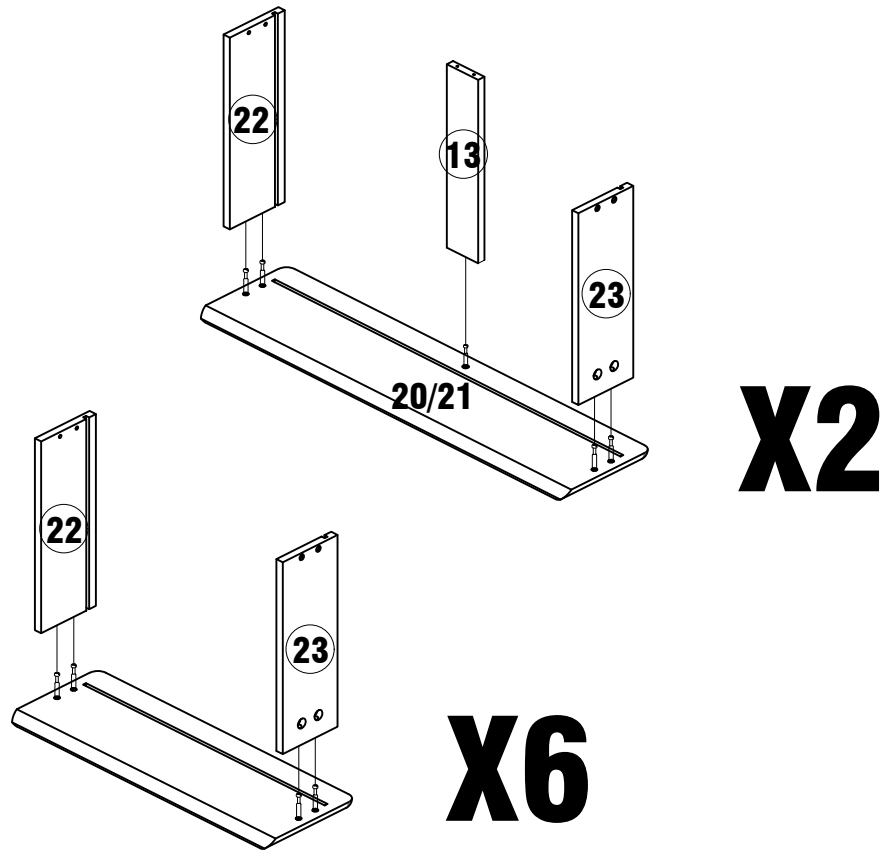


X2

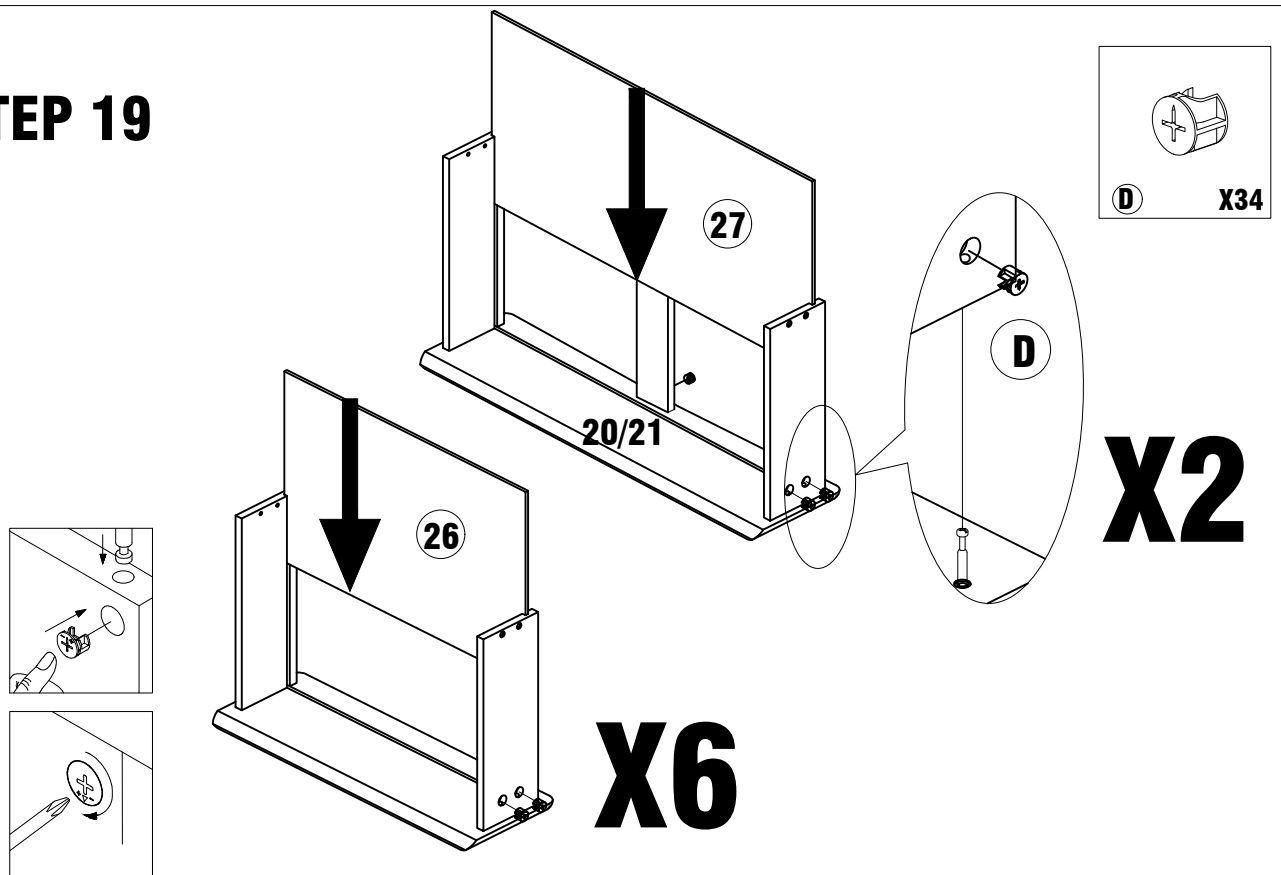


X6

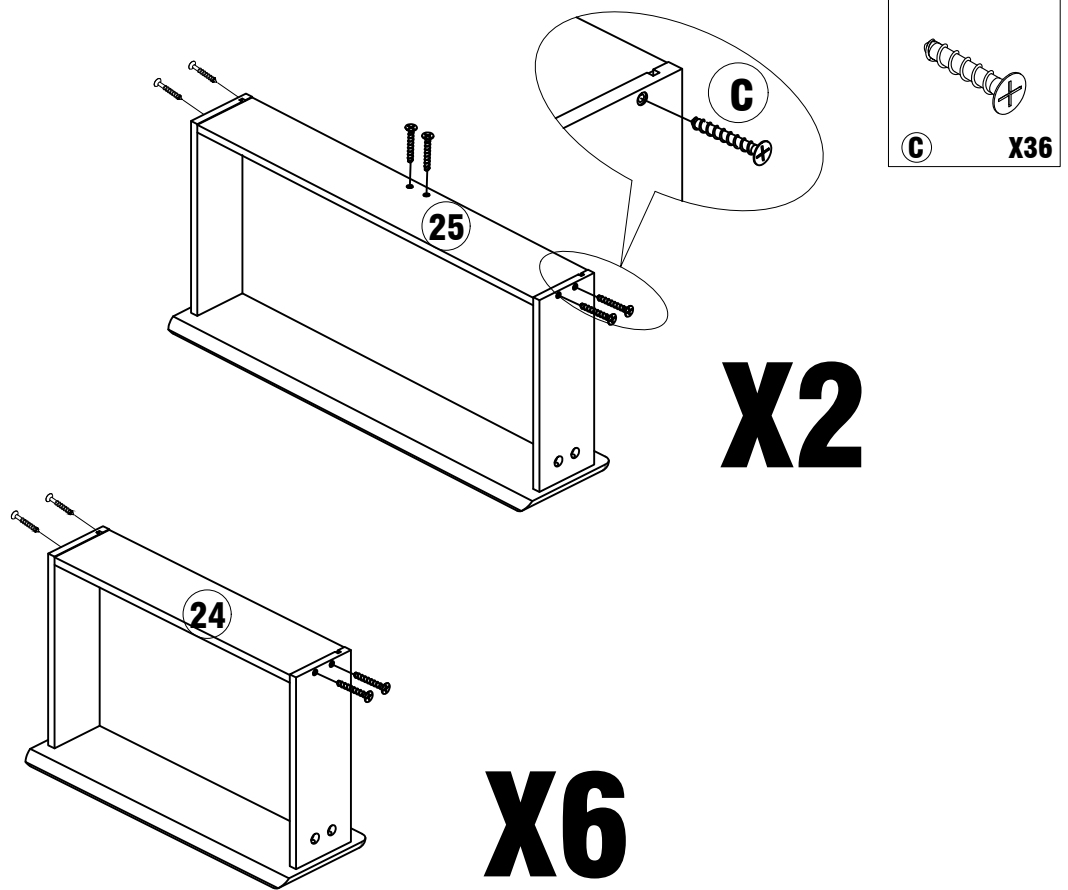
STEP 18



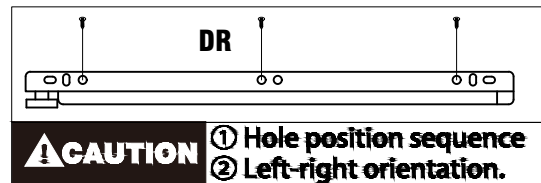
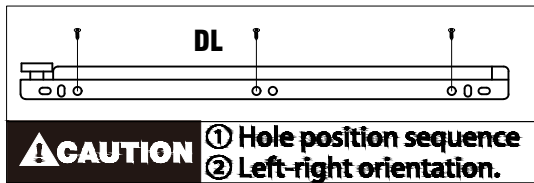
STEP 19



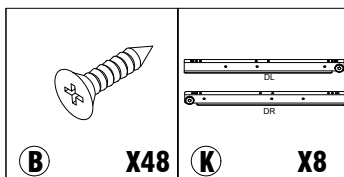
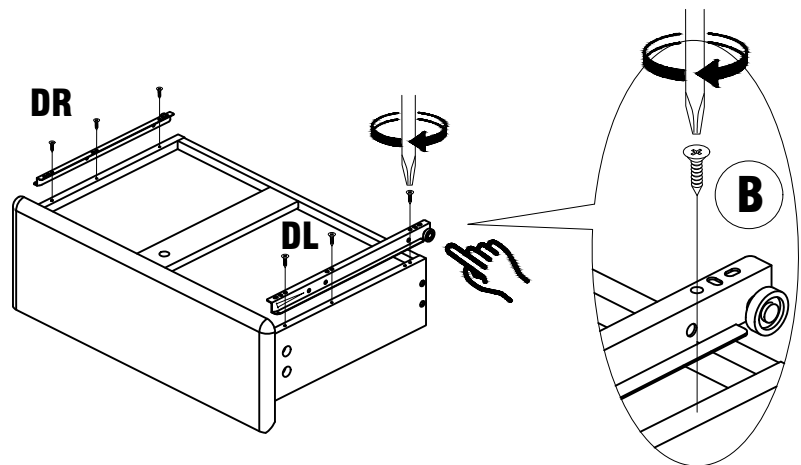
STEP 20



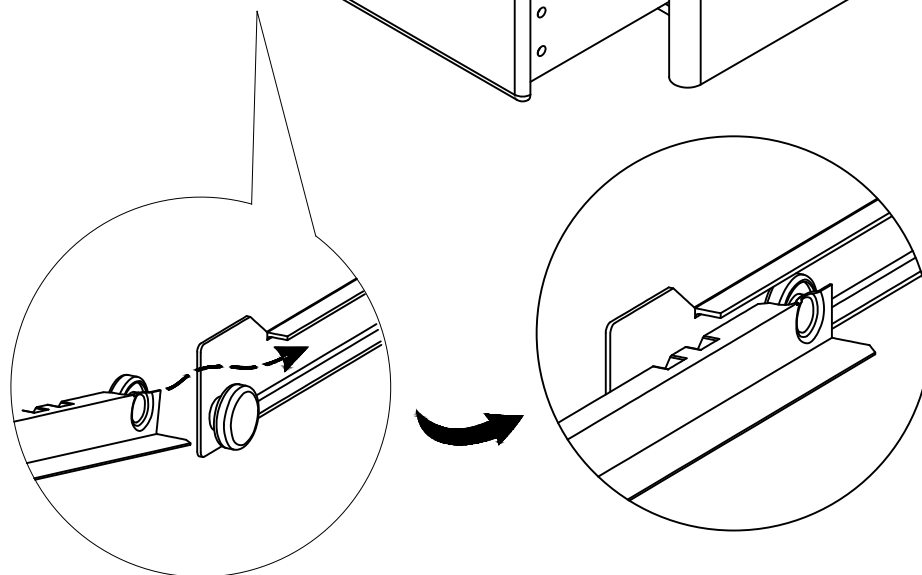
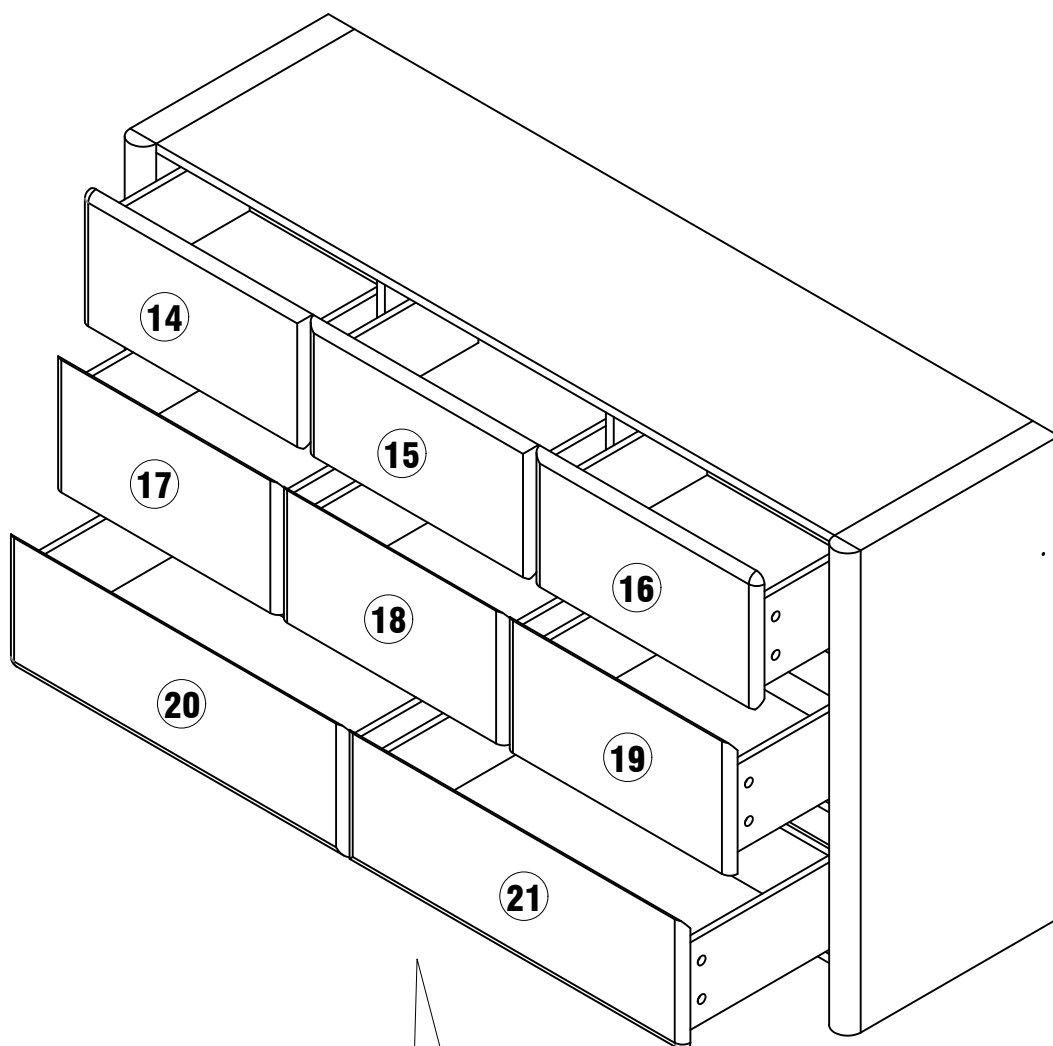
STEP 21



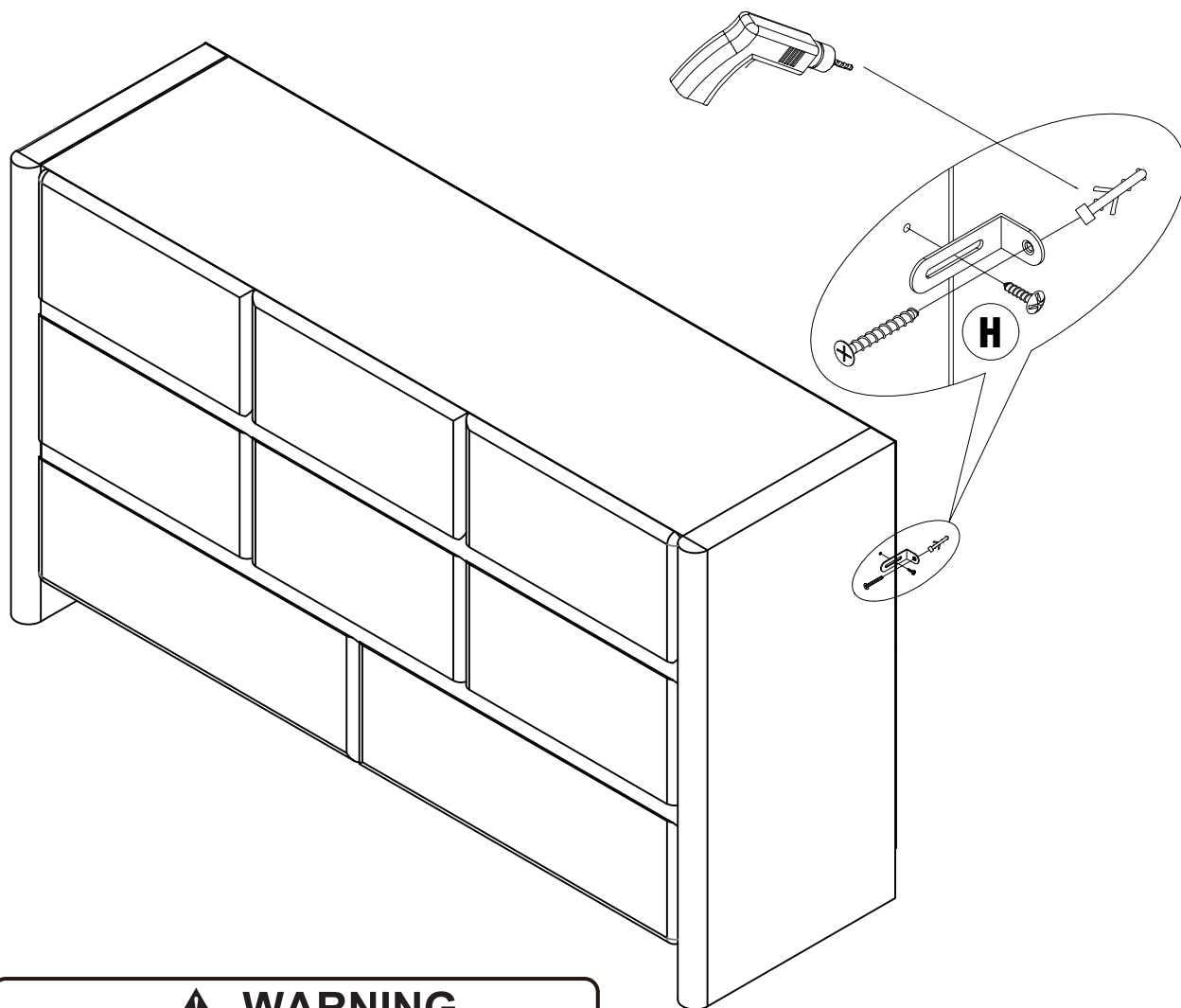
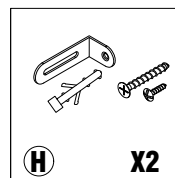
X8



STEP 22



STEP 23



▲ WARNING



Children have died from furniture tipover. To reduce the risk of furniture tipover:

- ALWAYS install anti-tip device provided.
- NEVER put a TV on this product.
- NEVER allow children to stand, climb or hang on any drawers, doors, or shelves.
- NEVER open more than one drawer at a time.
- Place heaviest items in the lowest drawers.



*this is a permanent label.
Do not remove!*